

GENERAL NOTES:

- WORK IN THIS PROJECT SHALL CONFORM TO THESE PLANS, THE LATEST EDITIONS OF THE NORTH CAROLINA DEPARTMENT OF TRANSPORTATION (NCDOT) ROAD AND BRIDGE SPECIFICATIONS, THE NCDOT ROAD AND BRIDGE STANDARDS, THE NORTH CAROLINA EROSION AND SEDIMENT CONTROL HANDBOOK, THE NORTH CAROLINA EROSION AND SEDIMENT CONTROL REGULATIONS, THE TOWN OF ROLESVILLE DESIGN AND CONSTRUCTION STANDARDS AND SPECIFICATIONS, THE FINAL GEOTECHNICAL REPORT, AND GENERAL DESIGN STANDARDS. IN THE EVENT OF CONFLICT BETWEEN ANY OF THESE STANDARDS, SPECIFICATIONS, OR PLANS, THE MOST STRINGENT SHALL GOVERN. ALL UTILITIES TO BE DEDICATED TO THE CITY OF RALEIGH MUNICIPAL WATER AND/OR SANITARY SEWER SYSTEM SHALL BE CONSTRUCTED AND TESTED TO CONFORM TO STATE OF NORTH CAROLINA STATE BOARD OF HEALTH WATERWORKS AND/OR SEWAGE REGULATIONS AND THE CITY OF RALEIGH DESIGN AND CONSTRUCTION STANDARDS AND SPECIFICATIONS.
- THE TERM "CONTRACTOR" AS REFERENCED HERE-IN SHALL ALSO INCLUDE THE SUBCONTRACTOR OR PRINCIPAL TRADE CONTRACTOR, UNDER CONTRACT TO THE GENERAL CONTRACTOR TO PROVIDE LABOR, MATERIALS, AND/OR SERVICES TO THE PROJECT.
- THE CONTRACTOR SHALL BE SOLELY RESPONSIBLE FOR ALL JOBSITE SAFETY, INCLUDING BUT NOT LIMITED TO TRENCH SAFETY, DURING ALL PHASES OF CONSTRUCTION.
- THE LOCATION AND SIZE OF EXISTING UTILITIES AS SHOWN IS APPROXIMATE ONLY. THE CONTRACTOR IS RESPONSIBLE FOR HORIZONTALLY AND VERTICALLY LOCATING AND PROTECTING ALL PUBLIC OR PRIVATE UTILITIES (SHOWN OR NOT SHOWN) WHICH LIE IN OR ADJACENT TO THE CONSTRUCTION SITE. AT LEAST 48 HOURS PRIOR TO ANY DEMOLITION, GRADING, OR CONSTRUCTION ACTIVITY, THE CONTRACTOR SHALL NOTIFY THE NORTH CAROLINA 811 UTILITIES LOCATION SERVICE (NC811) AT 1-800-632-4949 FOR PROPER IDENTIFICATION OF EXISTING UTILITIES WITHIN THE SITE.
- THE CONTRACTOR SHALL SALVAGE AND PROTECT ALL EXISTING POWER POLES, SIGNS, MANHOLES, TELEPHONE RISERS, WATER VALVES, ETC. DURING ALL CONSTRUCTION PHASES. THE CONTRACTOR SHALL REPAIR, AT HIS OWN EXPENSE, ANY EXISTING UTILITIES DAMAGED DURING CONSTRUCTION.
- TRAFFIC CONTROL WITHIN ALL VEHICULAR AREAS IS THE RESPONSIBILITY OF THE CONTRACTOR, SHALL BE IN CONFORMANCE WITH THE "MANUAL OF UNIFORM TRAFFIC CONTROL DEVICES," AND AS FURTHER DIRECTED BY CITY AND STATE INSPECTORS.
- ANY DISCREPANCIES FOUND BETWEEN THE DRAWINGS, SPECIFICATIONS, AND SITE CONDITIONS OR ANY INCONSISTENCIES OR AMBIGUITIES IN DRAWINGS OR SPECIFICATIONS SHALL BE IMMEDIATELY REPORTED TO THE ENGINEER, IN WRITING, WHO SHALL PROMPTLY ADDRESS SUCH INCONSISTENCIES OR AMBIGUITIES. WORK DONE BY THE CONTRACTOR AFTER HIS DISCOVERY OF SUCH DISCREPANCIES, INCONSISTENCIES, OR AMBIGUITIES SHALL BE DONE AT THE CONTRACTOR'S RISK.
- CONSTRUCTION STAKEOUT FOR THIS PROJECT SHALL BE PER A DIGITAL (CAD) FILE PROVIDED BY THE ENGINEER. THE CONTRACTOR SHALL NOTIFY THE LEAD ARCHITECT IMMEDIATELY OF ANY DISCREPANCIES FOUND BETWEEN THE DIGITAL FILE AND THE CRITICAL STAKING DIMENSIONS SHOWN ON THIS PLAN. ANY MODIFICATIONS MADE BY OTHERS TO THE DIGITAL FILE PROVIDED BY THE ENGINEER SHALL RENDER IT VOID.
- A PRE-CONSTRUCTION CONFERENCE SHALL BE HELD PRIOR TO THE START OF CONSTRUCTION. THE CONTRACTOR SHALL ARRANGE THE MEETING WITH THE TOWN OF ROLESVILLE ENGINEERING DIVISION, THE OWNER, AND ENVIRONMENTAL CONSULTANT.
- CONTRACTOR IS RESPONSIBLE FOR VERIFYING OR OBTAINING ALL REQUIRED PERMITS AND APPROVALS PRIOR TO COMMENCING CONSTRUCTION.
- THE FRAMES AND COVERS OF ALL EXISTING AND PROPOSED DRAINAGE, SANITARY SEWER, WATER MAIN, GAS, AND WIRE UTILITY STRUCTURES SHALL BE ADJUSTED TO MATCH PROPOSED FINISHED ELEVATIONS AND SLOPES.
- ROADWAYS AND BUILDINGS MUST BE CAPABLE OF SUPPORTING FIRE APPARATUS DURING CONSTRUCTION.
- EXISTING INFORMATION SHOWN TAKEN FROM A TOPOGRAPHIC SURVEY DATED FEBRUARY 23, 2023 AND PROVIDED BY CMP PROFESSIONAL LAND SURVEYORS, 333 S. WHITE STREET, WAKE FOREST, N.C. 27588, PHONE: 919-556-3148.
- ALL CONSTRUCTION SHALL BE IN ACCORDANCE WITH THE NC DOT AND TOWN OF ROLESVILLE STANDARDS, SPECIFICATIONS, & DETAILS IF APPLICABLE.

GRADING

- OBTAIN AND POST THE WAKE COUNTY LAND DISTURBANCE PERMIT ONSITE PRIOR TO COMMENCING WORK ON SITE.
- REFER TO FINAL CONSTRUCTION PLANS FOR CLEARING LIMITS AND TEMPORARY EROSION CONTROL DEVICES TO BE INSTALLED PRIOR TO COMMENCING CONSTRUCTION.
- CONTRACTOR SHALL ADHERE TO THE LIMITS OF TREE PROTECTION FENCE.
- EROSION AND SEDIMENT CONTROL MEASURES SHALL BE MAINTAINED CONTINUOUSLY, RELOCATED WHEN AND AS NECESSARY, AND SHALL BE CHECKED AFTER EVERY RAINFALL. SEEDED AREAS SHALL BE CHECKED REGULARLY AND SHALL BE WATERED, FERTILIZED, RESEEDED, AND MULCHED AS NECESSARY TO OBTAIN A DENSE STAND OF GRASS.
- ALL AREAS SHALL BE GRADED FOR POSITIVE DRAINAGE, AND AS SHOWN ON THESE PLANS. THE CONTRACTOR SHALL MAINTAIN THE SITE DRAINAGE DURING ALL PHASES OF CONSTRUCTION. THE CONTRACTOR SHALL USE SILT FENCES (OR OTHER METHODS APPROVED BY THE ENGINEER, WAKE COUNTY, AND NCDENR), AS REQUIRED TO PREVENT SILT AND CONSTRUCTION DEBRIS FROM FLOWING ONTO ADJACENT PROPERTIES. CONTRACTOR SHALL COMPLY WITH ALL APPLICABLE FEDERAL, STATE, OR LOCAL EROSION, CONSERVATION, AND SILTATION ORDINANCES. CONTRACTOR SHALL REMOVE ALL TEMPORARY EROSION CONTROL DEVICES UPON COMPLETION OF PERMANENT DRAINAGE FACILITIES AND THE ESTABLISHMENT OF A STAND OF GRASS OR OTHER GROWTH TO PREVENT EROSION.
- THE CONTRACTOR SHALL CLEAR AND GRUB THE SITE AND PLACE, COMPACT, AND MOISTURE CONDITION ALL FILL PER THE PROJECT GEOTECHNICAL ENGINEER'S SPECIFICATIONS AND REPORT. THE FILL MATERIAL TO BE USED SHALL BE APPROVED BY THE CERTIFIED MATERIAL TESTING AGENCY PRIOR TO PLACEMENT.
- GRADING CONTRACTOR SHALL COORDINATE WITH THE UTILITY COMPANIES FOR ANY REQUIRED UTILITY ADJUSTMENTS AND/OR RELOCATIONS.
- ALL MATERIALS USED FOR BACKFILL SHALL BE FREE OF WOOD, ROOTS, ROCKS, BOULDERS, OR ANY OTHER NON-COMPATIBLE SOIL TYPE MATERIAL. UNSATISFACTORY MATERIALS ALSO INCLUDE MAN-MADE FILLS AND REFUSE DEBRIS DERIVED FROM ANY SOURCE.
- MATERIALS USED TO CONSTRUCT EMBANKMENTS FOR ANY PURPOSE, BACKFILL AROUND DRAINAGE STRUCTURES, OR IN UTILITY TRENCHES FOR ANY OTHER DEPRESSION REQUIRING FILL OR BACKFILL SHALL BE COMPACTED TO 95% OF MAXIMUM DENSITY AS DETERMINED BY THE STANDARD PROCTOR TEST AS SET OUT IN ASTM STANDARD D-698. THE CONTRACTOR SHALL PRIOR TO ANY OPERATIONS INVOLVING FILLING OR BACKFILLING, SUBMIT THE RESULTS OF THE PROCTOR TEST TOGETHER WITH A CERTIFICATION THAT THE SOIL TESTED IS REPRESENTATIVE OF THE MATERIALS TO BE USED ON THE PROJECT. TESTS SHALL BE CONDUCTED BY A CERTIFIED MATERIALS TESTING LABORATORY AND THE CERTIFICATIONS MADE BY A LICENSED PROFESSIONAL ENGINEER REPRESENTING THE LABORATORY.
- ALL DEMOLITION, DEBRIS, AND OTHER EXCESS MATERIAL SHALL BE HAULED OFF-SITE AND LEGALLY DISPOSED OF AT THE CONTRACTOR'S EXPENSE.
- NO TREE WITHIN THE TREE PROTECTION AREA SHALL BE REMOVED OR DAMAGED.
- THE TREE PROTECTION FENCE SHALL BE MAINTAINED ON THE SITE UNTIL ALL SITE WORK IS COMPLETED AND THE FINAL SITE INSPECTION PRIOR TO THE PROJECT ACCEPTANCE IS SCHEDULED. FENCING SHALL BE REMOVED PRIOR TO FINAL SITE INSPECTION FOR THE CO.
- REFERENCE GEOTECHNICAL REPORT FOR PAVING SUB GRADE INFORMATION.
- ALL SPOT GRADE ELEVATIONS IN CURB AND GUTTER REPRESENT GUTTER FLOWLINE ELEVATION AT FACE OF CURB UNLESS OTHERWISE NOTED (ADD 6" FOR TOP OF CURB).
- PROPOSED CONTOURS AND GUTTER GRADIENTS ARE APPROXIMATE. PROPOSED SPOT ELEVATIONS AND ROADWAY PROFILES/SUPERELEVATIONS ARE TO BE USED IN CASE OF DISCREPANCY.
- REFER TO SITE PLAN AND FINAL PLAT FOR HORIZONTAL DIMENSIONS.
- WHERE FILL IS TO BE PLACED ON EXISTING SLOPES STEEPER THAN 4:1, CONTRACTOR SHALL EXCAVATE BENCHES WITH A MAXIMUM DEPTH OF 3'.
- THE CONTRACTOR SHALL COORDINATE WITH THE GEOTECHNICAL ENGINEER FOR APPROPRIATE SLOPE STABILIZATION ON ALL SLOPES STEEPER THAN 3:1.
- CONTRACTOR SHALL OBTAIN ALL PERMITS REQUIRED FOR BLASTING ROCK IF BLAST ROCK IS ENCOUNTERED. CONTRACTOR SHALL BE SOLELY RESPONSIBLE FOR COMPLYING WITH ALL BLASTING AND SAFETY REQUIREMENTS.
- SILT FENCE SHALL BE PLACED AROUND ALL TEMPORARY SOIL STOCKPILES A MINIMUM OF 3' FROM TOE OF SLOPE.
- VERTICAL DATUM IS BASED ON NAVD 88.

SANITARY SEWER

- SANITARY SEWER SERVICES SHALL BE SCHEDULE 40 PVC.
- CLEANOUT SYMBOLS SHOWN ON THESE PLANS REPRESENT LOCATION OF SURFACE ACCESS POINT. CONTRACTOR SHALL LOCATE WYE APPROPRIATELY BASED ON PIPE DEPTH.
- SANITARY SEWER CLEAN-OUTS LOCATED IN PAVEMENT AREAS SHALL BE HEAVY-DUTY TRAFFIC BEARING CASTINGS.

WATER

- WATERLINES, LARGER THAN 2" SHALL BE DUCTILE IRON PIPE MEETING THE REQUIREMENTS OF ANSI-AWWA C151 PRESSURE CLASS 350. WATERLINES 3/4" TO 2" SHALL BE TYPE "K" SOFT COPPER.
- ALL UNDERGROUND UTILITIES AND FIRE HYDRANTS MUST BE FUNCTIONALLY APPROVED PRIOR TO STRUCTURAL CONSTRUCTION.
- NATIONAL STANDARD THREADS SHALL BE INSTALLED ON FIRE HYDRANTS.
- ALL FIRE HYDRANTS AND FDC CONNECTIONS TO HAVE STORZ TYPE CONNECTION PER CITY OF RALEIGH FIRE DEPARTMENT STANDARDS.

BACKFLOW PREVENTION:

- THERE SHALL BE NO TAPS, PIPING BRANCHES, UNAPPROVED BYPASS PIPING, HYDRANTS, FIRE DEPARTMENT CONNECTION POINTS OR OTHER WATER-USING APPURTENANCES CONNECTED TO THE SUPPLY LINE BETWEEN ANY WATER METER AND ITS REQUIRED BACKFLOW PREVENTER.
- EACH BACKFLOW PREVENTER ASSEMBLY IS REQUIRED TO BE TESTED BY AN APPROVED CERTIFIED TESTER PRIOR TO PLACING THE WATER SYSTEM INTO SERVICE. CONTRACTOR SHALL PERFORM TESTING IN ACCORDANCE WITH THE CITY OF RALEIGH ENGINEERING DEPARTMENT.

CONSTRUCTION NOTES

- THE CONTRACTOR SHALL CONDUCT THE WORK IN A SAFE MANNER AND WITH A MINIMUM AMOUNT OF INCONVENIENCE TO TRAFFIC.
- THE CONTRACTOR SHALL BE RESPONSIBLE FOR ALL TRAFFIC CONTROL AND SHALL ADHERE TO THE PROVISIONS OF THE MUTCD (MOST CURRENT EDITION).
- PRIOR TO CONSTRUCTION BEGINNING, ALL SIGNAGE AND TRAFFIC CONTROL SHALL BE IN PLACE.
- THE CONTRACTOR SHALL HAVE A COMPLETE SET OF CONTRACT DOCUMENTS AS WELL AS ALL APPROVALS AND EASEMENTS ON THE JOB SITE AT ALL TIMES.
- THE CONTRACTOR SHALL REPAIR ALL DRIVEWAYS, DRIVEWAY PIPES, CURB AND GUTTER, SIDEWALKS AND STREET TO EXISTING CONDITION OR BETTER.

PAVING/CURBING

- WHERE PROPOSED CURB AND GUTTER TIES TO EXISTING CURB OR CURB AND GUTTER, A TRANSITION OF 10' SHALL BE MADE TO CONFORM TO THE EXISTING HEIGHTS AND SHAPES.
- BEFORE ANY EARTHWORK IS DONE, THE CONTRACTOR SHALL STAKE OUT AND MARK THE LIMITS OF PAVEMENT AND OTHER ITEMS ESTABLISHED IN THE PLANS. THE CONTRACTOR SHALL PROVIDE ALL NECESSARY ENGINEERING AND SURVEYING FOR LINE AND GRADE CONTROL POINTS RELATED TO EARTHWORK.
- ALL PAVEMENT SUB GRADES (EVEN WHEN ROCK IS ENCOUNTERED) SHALL BE SCARIFIED TO A DEPTH OF 8 INCHES AND COMPACTED TO A MINIMUM DENSITY OF 98 PERCENT OF ASTM D-698 DENSITY AT OPTIMUM MOISTURE CONTENT UNLESS OTHERWISE SHOWN IN THE CONSTRUCTION DOCUMENTS OR AS DIRECTED BY THE CERTIFIED MATERIALS TESTING AGENT. FILL SHALL BE PLACED AND COMPACTED IN MAXIMUM 8" LIFTS.
- CONTRACTOR SHALL FURNISH AND INSTALL ALL PAVEMENT MARKINGS AND MISCELLANEOUS STRIPING AS SHOWN ON THE PLANS. ALL ROADWAY PAVEMENT MARKINGS SHALL BE THERMOPLASTIC AND ADHERE TO NCDOT STANDARDS.
- THE CONTRACTOR SHALL CLEAR AND GRUB THE SITE AND PLACE, COMPACT, AND MOISTURE CONDITION ALL FILL PER THE PROJECT GEOTECHNICAL ENGINEER'S SPECIFICATIONS. THE FILL MATERIAL TO BE USED SHALL BE APPROVED BY THE GEOTECHNICAL ENGINEER PRIOR TO PLACEMENT.
- ALL CURB JOINTS SHALL EXTEND THROUGH THE CURB. MINIMUM LENGTH OF OFFSET JOINTS AT RADIUS POINTS IS 1.5 FEET. ALL JOINTS SHALL BE SEALED WITH JOINT SEALANT.
- TESTING OF MATERIALS REQUIRED FOR THE CONSTRUCTION OF THE PAVING IMPROVEMENTS SHALL BE PERFORMED BY AN APPROVED AGENCY FOR TESTING MATERIALS. THE TESTING LABORATORY AND THE PAYMENT OF SUCH TESTING SERVICES SHALL BE MADE BY THE OWNER. IT SHALL BE THE CONTRACTOR'S RESPONSIBILITY THAT THE CERTIFIED MATERIAL TESTING AGENCY HAS PERFORMED THE WORK AND THAT THE WORK CONSTRUCTED DOES MEET THE REQUIREMENTS OF THE CITY'S SPECIFICATIONS AND/OR THE PROJECT SPECIFICATIONS, WHICHEVER IS MORE STRINGENT.
- ALL SIGNS, PAVEMENT MARKINGS, AND OTHER TRAFFIC CONTROL DEVICES ON PUBLIC STREETS SHALL CONFORM TO MUTCD, NCDOT, AND TOWN OF ROLESVILLE STANDARDS.

STORM DRAINAGE

- THE CONTRACTOR SHALL VERIFY AND COORDINATE ALL DIMENSIONS SHOWN, INCLUDING THE HORIZONTAL AND VERTICAL LOCATION OF CURB INLETS AND GRATE INLETS AND ALL UTILITIES CROSSING THE STORM SEWER.
- THE SITE UTILITY CONTRACTOR SHALL PROVIDE ALL MATERIALS AND APPURTENANCES NECESSARY FOR COMPLETE INSTALLATION OF THE STORM SEWER.
- THE TOWN OF ROLESVILLE INSPECTOR SHALL INSPECT ALL "PUBLIC" CONSTRUCTION. THE CONTRACTOR'S PRICE SHALL INCLUDE ALL INSPECTION FEES.
- ALL RCP STORM SEWER MAINS AND LATERALS SHALL BE MINIMUM CLASS III REINFORCED CONCRETE PIPE.
- ALL PVC PIPE USED IN DRAINAGE SYSTEM SHALL BE MINIMUM SDR-35 OR APPROVED EQUAL.
- ALL PVC TO RCP CONNECTIONS SHALL BE CONSTRUCTED WITH CONCRETE COLLARS.
- THE LOCATIONS OF STORM SEWER STRUCTURES SHOWN ON THESE PLANS (AND PROVIDED IN ASSOCIATED CAD FILES) ARE APPROXIMATE. THE CONTRACTOR SHALL STAKE ALL CURB INLET STRUCTURES SUCH THAT INLET TOPS ALIGN HORIZONTALLY WITH PROPOSED CURB LOCATIONS (PER DETAIL, IF PROVIDED). WHERE PROPOSED STORM SEWERS TIE TO EXISTING STRUCTURES, PIPES, ETC., THE CONTRACTOR SHALL FIELD ADJUST PROPOSED STORM SEWERS TO MATCH THE LOCATIONS OF THESE EXISTING FEATURES.
- RIM ELEVATIONS FOR STORM CATCH BASINS ARE MEASURED TO THE GUTTER FLOW LINE.

TRAFFIC CONTROL NOTES

- WITHIN THE SIGHT TRIANGLES AND SIGHT EASEMENTS SHOWN ON THESE PLANS, NO OBSTRUCTION SHALL BE LOCATED IN WHOLE OR PART BETWEEN (2) FEET AND (8) FEET IN HEIGHT ABOVE THE CURB LINE ELEVATION OR THE NEAREST TRAVELED WAY, IF NO CURBING EXISTS. OBSTRUCTIONS INCLUDE, BUT ARE NOT LIMITED TO, ANY BERM, FOLIAGE, FENCE, WALL, SIGN, PARKED VEHICLE OR OTHER OBJECT.
- ALL CONSTRUCTION SHALL BE IN ACCORDANCE WITH ALL TOWN OF ROLESVILLE AND/OR N.C.D.O.T. STANDARDS AND SPECIFICATIONS.
- REFER TO MANUAL ON UNIFORM TRAFFIC CONTROL DEVICES (LATEST EDITION) FOR DETAILS OF STANDARD TRAFFIC CONTROL SIGNS AND STANDARDS.

SEEDBED PREPARATION

- CHISEL COMPACTED AREAS AND SPREAD TOPSOIL THREE INCHES DEEP OVER ADVERSE SOIL CONDITIONS, IF AVAILABLE.
- RIP THE ENTIRE AREA TO SIX INCHES DEEP.
- REMOVE ALL LOOSE ROCK, ROOTS AND OTHER OBSTRUCTIONS, LEAVING SURFACE REASONABLY SMOOTH AND UNIFORM.
- APPLY AGRICULTURAL LIME, FERTILIZER AND SUPERPHOSPHATE UNIFORMLY AND MIX WITH SOIL (SEE MIXTURE BELOW).
- CONTINUE TILLAGE UNTIL A WELL-PULVERIZED, FIRM, REASONABLY UNIFORM SEEDBED IS PREPARED FOUR TO SIX INCHES DEEP.
- SEED ON A FRESHLY PREPARED SEEDBED AND COVER SEED LIGHTLY WITH SEEDING EQUIPMENT OR CULTIPACK AFTER SEEDING.
- MULCH IMMEDIATELY AFTER SEEDING AND ANCHOR MULCH.
- INSPECT ALL SEEDED AREAS AND MAKE NECESSARY REPAIRS OR RESEEDINGS WITHIN THE PLANTING SEASON, IF POSSIBLE. IF STAND SHOULD BE MORE THAN 60% DAMAGED, RE-ESTABLISH FOLLOWING THE ORIGINAL LINE, FERTILIZER AND SEEDING RATES.
- CONSULT SAEC ENVIRONMENTAL ENGINEERS ON MAINTENANCE TREATMENT AND FERTILIZATION AFTER PERMANENT COVER IS ESTABLISHED.
- *AGRICULTURAL LIMESTONE - 2 TONS/ ACRES (3 TONS/ACRE IN CLAY SOILS) FERTILIZER - 1,000 LBS. / ACRE -10-10-10 SUPERPHOSPHATE- 500 LBS/ ACRE -20% ANALYSIS MULCH -2 TONS / ACRE - SMALL GRAIN STRAW ANOTHER - ASPHALT EMULSION @ 300 GALS./ ACRE

SEEDING SCHEDULE

DATE	TYPE	PLANTING RATE
SHOULDERS, SIDE DITCHES, SLOPES (MAX 3:1)		
AUG 15 - NOV 1	TALL FESCUE	300 LBS/ACRE
NOV 1 - MAR 1	TALL FESCUE & ABRUZZI RYE	300 LBS/ACRE
MAR 1 - APR 15	TALL FESCUE	300 LBS/ACRE
APR 15 - JUN 30	HULLED COMMON BERMUDAGRASS	25 LBS/ACRE
JUL 1 - AUG 15	TALL FESCUE AND ***BROWNTOP MILLET ***OR SORGHUM-SUDAN HYBRIDS	120 LBS/ACRE 35 LBS/ACRE 30 LBS/ACRE
SLOPES (3:1 TO 2:1)		
MAR 1 - JUN 1	SERICAESA LESPEDEZA (SCARIFIED) AND ADD TALL FESCUE	50 LBS/ACRE 120 LBS/ACRE
MAR 1 - APR 15	OR ADD WEEPING LOVEGRASS	10 LBS/ACRE
MAR 1 - JUN 30	OR ADD HULLED COMMON BERMUDAGRASS	25 LBS/ACRE
JUN 1 - SEP 1	***TALL FESCUE AND ***BROWNTOP MILLET ***OR SORGHUM-SUDAN HYBRIDS	120 LBS/ACRE 35 LBS/ACRE 30 LBS/ACRE
SEP 1 - MAR 1	SERICAESA LESPEDEZA (UNHULLED-UNSCARIFIED) AND TALL FESCUE	70 LBS/ACRE 120 LBS/ACRE
(NOV 1 - MAR 1)	ADD ABRUZZI RYE	25 LBS/ACRE

CONSULT CONSERVATION ENGINEER OR SOIL CONSERVATION SERVICE FOR ADDITIONAL INFORMATION CONCERNING OTHER ALTERNATIVES FOR VEGETATION OF DENUDED AREAS. THE ABOVE VEGETATION RATES ARE THOSE WHICH DO WELL UNDER LOCAL CONDITIONS; OTHER SEEDING RATE COMBINATIONS ARE POSSIBLE.

***TEMPORARY - RESEED ACCORDING TO OPTIMUM SEASON FOR DESIRED PERMANENT VEGETATION. DO NOT ALLOW TEMPORARY COVER TO GROW OVER 12" IN HEIGHT BEFORE MOWING; OTHERWISE FESCUE MAY BE SHADED OUT.

*NOTE: THIS SEEDING SCHEDULE IS FOR EROSION AND SEDIMENT CONTROL ONLY. SEE LANDSCAPE PLAN FOR FINAL SEEDING.

THE CONTRACTOR SHALL PROVIDE GROUND COVER ON DESIGNATED AREAS AND SLOPES GREATER THAN 3:1 WITHIN 7 DAYS FOLLOWING COMPLETION OF ANY PHASE OF GRADING. CONTRACTOR SHALL PROVIDE GROUND COVER IN 14 DAYS ON ALL OTHER AREAS FOLLOWING COMPLETION OF ANY PHASE OF GRADING. PERMANENT GROUND COVER FOR ALL DISTURBED AREAS SHALL BE PROVIDED WITHIN 15 WORKING DAYS OR 90 CALENDAR DAYS (WHICHEVER IS SHORTER) FOLLOWING COMPLETION OF CONSTRUCTION.

NURSE CROP: WHEN SEEDING BERMUDA GRASS SEED CONTRACTOR SHALL ADD 25 LB/AC OF ANNUAL RYE GRASS AS NURSE CROP UNTIL PERMANENT ESTABLISHMENT OF BERMUDA GRASS

EROSION CONTROL NOTES

- UNLESS OTHERWISE INDICATED, ALL VEGETATIVE AND STRUCTURAL EROSION AND SEDIMENT CONTROL MEASURES SHALL BE CONSTRUCTED AND MAINTAINED IN ACCORDANCE WITH THE MINIMUM STANDARDS AND SPECIFICATIONS OF THE NORTH CAROLINA EROSION AND SEDIMENT CONTROL HANDBOOK.
- THE CONTRACTOR SHALL INSTALL AND MAINTAIN THROUGHOUT THE PROJECT CONSTRUCTION ALL EROSION CONTROL MEASURES SHOWN WITHIN THESE PLANS IN ACCORDANCE WITH APPLICABLE NORTH CAROLINA DEPARTMENT OF ENVIRONMENTAL QUALITY (NCEQ) AND WAKE COUNTY EROSION AND SEDIMENT CONTROL REGULATIONS.
- ALL CONSTRUCTION WORK SHALL BE IN COMPLIANCE WITH REGULATIONS OF THE NATIONAL POLLUTANT DISCHARGE ELIMINATION SYSTEM (NPDES) STORM WATER GENERAL PERMIT.
- ALL EROSION AND SEDIMENT CONTROL MEASURES ARE TO BE PLACED PRIOR TO CLEARING AND/OR LAND DISTURBANCE.
- A COPY OF THE APPROVED EROSION AND SEDIMENT CONTROL PLAN AND PERMIT SHALL BE MAINTAINED ON THE SITE AT ALL TIMES.
- THE CONTRACTOR SHALL DILIGENTLY AND CONTINUOUSLY MAINTAIN ALL EROSION CONTROL DEVICES AND STRUCTURES TO MINIMIZE EROSION. THE CONTRACTOR SHALL MAINTAIN CLOSE CONTACT WITH THE NCDENR EROSION CONTROL INSPECTOR SO THAT PERIODIC INSPECTIONS CAN BE PERFORMED AT APPROPRIATE STAGES OF CONSTRUCTION.
- APPROVAL OF THIS PLAN IS NOT AN AUTHORIZATION TO GRADE ADJACENT PROPERTIES. WHEN FIELD CONDITIONS WARRANT OFF-SITE GRADING, PERMISSION MUST BE OBTAINED FROM THE AFFECTED PROPERTY OWNERS. CONTACT PROJECT ENGINEER AND PROJECT EROSION CONTROL INSPECTOR TO ENSURE ADDITIONAL EROSION CONTROL MEASURES ARE INSTALLED PRIOR TO OFF-SITE GRADING.
- PRIOR TO COMMENCING LAND DISTURBING ACTIVITIES IN AREAS OTHER THAN INDICATED ON THESE PLANS (INCLUDING, BUT NOT LIMITED TO OFF-SITE BORROW OR WASTE AREAS, STAGING OR STORAGE AREAS), THE CONTRACTOR SHALL PREPARE AND SUBMIT A SUPPLEMENTARY EROSION CONTROL PLAN TO THE OWNER FOR REVIEW AND TO THE WAKE COUNTY FOR APPROVAL. CONTRACTOR SHALL PAY ALL FEES REQUIRED AND SHALL INSTALL NECESSARY MEASURES AT NO SEPARATE PAYMENT. THE CONTRACTOR SHALL PROVIDE THE OWNER AND THE ENGINEER A COPY OF THE AMENDED PERMIT.
- EROSION AND SEDIMENT CONTROL MEASURES SHALL BE MAINTAINED CONTINUOUSLY, RELOCATED WHEN AND AS NECESSARY, AND SHALL BE CHECKED AFTER EVERY RAINFALL. SEEDED AREAS SHALL BE CHECKED REGULARLY AND SHALL BE WATERED, FERTILIZED, RESEEDED, AND MULCHED AS NECESSARY TO OBTAIN A DENSE STAND OF GRASS.
- STABILIZATION IS THE BEST FORM OF EROSION CONTROL. ALL DISTURBED AREAS WHICH ARE NOT OTHERWISE STABILIZED SHALL BE TOP SOILED AND SEEDDED, TEMPORARILY OR PERMANENTLY IN ACCORDANCE WITH THE NORTH CAROLINA SEDIMENT CONTROL REGULATIONS. PERMANENT SEEDING AND GRASS ESTABLISHMENT IS REQUIRED PRIOR TO PROJECT COMPLETION AND ACCEPTANCE.
- CONTRACTOR TO ENSURE THAT SEDIMENT LOADING RUNOFF DOES NOT LEAVE SITE LIMITS OR ENTER PROTECTED AREAS. ANY SEDIMENT DEPOSITED BEYOND DISTURBED AREA WITHIN SITE LIMITS SHALL BE REMOVED.
- ROLLED EROSION CONTROL PRODUCTS (RECP'S) SHOULD BE USED TO AID PERMANENT VEGETATED STABILIZATION OF SLOPES GREATER THAN 10' OR GREATER. RECP'S SHOULD ALSO BE USED WHEN MULCH CANNOT BE ADEQUATELY TACKED AND WHERE IMMEDIATE GROUND COVER IS REQUIRED TO PREVENT EROSION DAMAGE.
- ALL TEMPORARY EROSION AND SEDIMENT CONTROL MEASURES SHALL BE REMOVED WITHIN 21 DAYS AFTER FINAL SITE STABILIZATION OR AFTER THE TEMPORARY MEASURES ARE NO LONGER NEEDED. TRAPPED SEDIMENT AND THE DISTURBED SOIL AREAS RESULTING FROM THE DISPOSITION OF TEMPORARY MEASURES SHALL BE PERMANENTLY STABILIZED TO PREVENT FURTHER EROSION AND SEDIMENTATION.
- WHERE SEDIMENT IS TRANSPORTED ONTO A PAVED OR PUBLIC ROAD SURFACE, THE ROAD SURFACE SHALL BE CLEANED THOROUGHLY AT THE END OF EACH DAY. SEDIMENT SHALL BE REMOVED FROM THE ROADS BY SHOVELING OR SWEEPING AND TRANSPORTED TO A SEDIMENT CONTROL DISPOSAL AREA. STREET WASHING SHALL BE ALLOWED ONLY AFTER SEDIMENT IS REMOVED IN THIS MANNER.
- WHEN A CRUSHED STONE CONSTRUCTION ENTRANCE HAS BEEN COVERED WITH SOIL OR HAS BEEN PUSHED INTO THE SOIL BY CONSTRUCTION TRAFFIC, IT SHALL BE REPLACED WITH A DEPTH OF STONE EQUAL TO THAT OF THE ORIGINAL APPLICATION.
- TEMPORARY CONSTRUCTION ENTRANCES SHALL BE REQUIRED AT ALL CONSTRUCTION STAGING AREA ENTRANCES AND ALL CONSTRUCTION ACCESS LOCATIONS INTO NON-PAVED AREAS. TWO TO THREE INCH STONE SHALL BE USED FOR THE TEMPORARY GRAVEL CONSTRUCTION ENTRANCE.
- ALL DRAINAGE INLETS SHALL BE PROTECTED FROM SILTATION. INEFFECTIVE PROTECTION DEVICES SHALL BE IMMEDIATELY REPLACED AND THE INLET CLEANED. FLUSHING IS NOT AN ACCEPTABLE METHOD OF CLEANING.
- DURING CONSTRUCTION OF THE PROJECT, SOIL STOCKPILES SHALL BE STABILIZED OR PROTECTED WITH SEDIMENT TRAPPING MEASURES. THE APPLICANT IS RESPONSIBLE FOR THE TEMPORARY PROTECTION AND PERMANENT STABILIZATION OF ALL SOIL STOCKPILES ON SITE AS WELL AS SOIL INTENTIONALLY TRANSPORTED FROM THE PROJECT SITE.
- SEDIMENT BASINS AND TRAPS, PERIMETER DIKES, SEDIMENT BARRIERS AND OTHER MEASURES INTENDED TO TRAP SEDIMENT SHALL BE CONSTRUCTED AS A FIRST STEP IN ANY LAND-DISTURBING ACTIVITY AND SHALL BE MADE FUNCTIONAL BEFORE UP-SLOPE LAND DISTURBANCE TAKES PLACE.
- ALL DISTURBED AREAS ARE TO DRAIN TO APPROVED SEDIMENT CONTROL MEASURES AT ALL TIMES DURING LAND DISTURBING ACTIVITIES AND DURING SITE DEVELOPMENT UNTIL FINAL STABILIZATION IS ACHIEVED.
- DURING DEWATERING OPERATIONS, WATER SHALL BE PUMPED INTO AN APPROVED FILTERING DEVICE PRIOR TO DISCHARGE TO RECEIVING OUTFLET.
- THE CONTRACTOR SHALL INSPECT ALL EROSION CONTROL MEASURES PERIODICALLY AND AFTER EACH RUNOFF-PRODUCING EVENT. ANY NECESSARY REPAIRS OR CLEANUP TO MAINTAIN THE EFFECTIVENESS OF THE EROSION CONTROL DEVICES SHALL BE MADE IMMEDIATELY.
- ALL TEMPORARY EROSION CONTROL MEASURES SHALL BE REMOVED BY CONTRACTOR ONCE STABILIZATION OR A SUFFICIENT GROUND COVER HAS BEEN ESTABLISHED OR AS DIRECTED BY THE ENGINEER. WAKE COUNTY INSPECTOR'S FINAL APPROVAL IS REQUIRED.
- STABILIZATION MEASURES SHALL BE APPLIED TO STRUCTURES SUCH AS DAMS, DIKES AND DIVERSIONS IMMEDIATELY AFTER INSTALLATION.
- ADDITIONAL EROSION CONTROL MEASURES MAY BE REQUIRED DEPENDING UPON FIELD CONDITIONS.
- LIMITS OF GRADING SHOWN ON THE PLAN ARE MAXIMUM LIMITS FOR EROSION CONTROL PURPOSES ONLY. SURVEYOR TO DETERMINE ACTUAL LIMIT.
- ANY GRADING BEYOND THE DENUDED LIMITS SHOWN ON THE PLAN IS A VIOLATION OF THE WAKE COUNTY EROSION CONTROL ORDINANCE, AND IS SUBJECT TO A FINE.
- GRADING MORE THAN 12,000 SF WITHOUT AN APPROVED EROSION CONTROL PLAN IS A VIOLATION OF THE WAKE COUNTY EROSION CONTROL ORDINANCE AND IS SUBJECT TO A FINE.

ABBREVIATIONS

*NOT ALL ABBREVIATIONS MAY BE USED FOR THIS PROJECT.

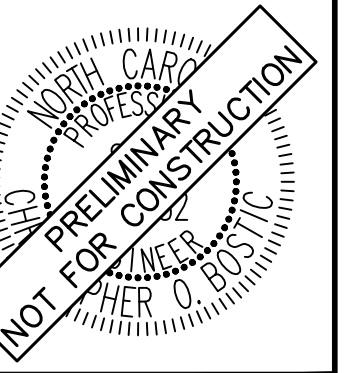
CB - CATCH BASIN
YI - YARD INLET
CO - CLEAN OUT
DI - DROP INLET
EX - EXISTING
FES - FLARED-END-SECTION
JB - JUNCTION BOX
LOD - LIMITS OF DISTURBANCE
PVC - POLYVINYL CHLORIDE
RCP - REINFORCED CONCRETE PIPE
TYP. - TYPICAL

SURVEY NOTE:
EXISTING TOPOGRAPHICAL INFORMATION IS BASED ON A TOPOGRAPHIC SURVEY OBTAINED ON 02/23/2023 BY CMP PROFESSIONAL LAND SURVEYORS, 333 S. WHITE STREET, WAKE FOREST, NC, 27588. PHONE: (919) 556-3148. CONTRACTOR SHALL BE RESPONSIBLE FOR VERIFYING ALL EXISTING INFORMATION, DEPICTED OR NOT, PRIOR TO CONSTRUCTION AND REPORT POTENTIAL CONFLICTS TO OWNER AND ENGINEER.

Plotted By: Alexander, Jamal Sheet Set: THE LEARNING CENTER ROLESVILLE, Layout: COL1.GENERAL NOTES January 02, 2024, 05:04:51pm K:\RAL_DEVELO\18031004_004a_Rolesville_Learning_Center\10 CAD Files\PlanSheets\COL1.GENERAL NOTES.dwg
This document, together with the concepts and designs presented herein, is an instrument of service, is intended only for the specific purpose and client for which it was prepared. Reuse of and improper reliance on this document without written authorization and adaptation by Kimley-Horn and Associates, Inc. shall be without liability to Kimley-Horn and Associates, Inc.

NO.	REVISIONS	BY	DATE
1			
2			
3			
4			
5			
6			
7			
8			
9			
10			

Kimley»»Horn
© 2023 KIMLEY-HORN AND ASSOCIATES, INC.
KIMLEY-HORN.COM PHONE: 919.677.2000 FAX: 919.677.2905
421 FAYETTEVILLE STREET, SUITE 800, RALEIGH, NC 27601



RHA PROJECT: 013031004
DATE: 09/29/2023
SCALE: AS SHOWN
DESIGNED BY: JAA
DRAWN BY: JAA
CHECKED BY: COB

GENERAL NOTES

THE LEARNING CENTER ROLESVILLE
PREPARED FOR
ROLESVILLE, LLC.
TOWN OF ROLESVILLE NORTH CAROLINA

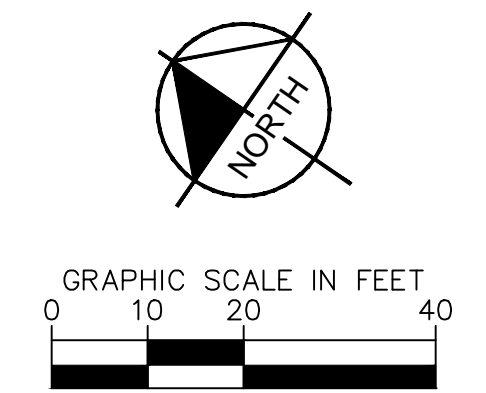
SHEET NUMBER
C0.1

SDP-23-07



Know what's below.
Call before you dig.

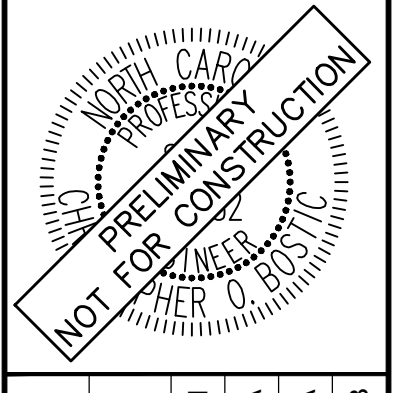
22. 2024. 06:13:15pm. KIRAL_LDEV013031004_Rolesville_Learning_CenterP10_CAD_Plan_Sheets-C-03_Existing_Conditions_&_Demolition_Plan.dwg
 purpose and client for which it was prepared. Reuse of and improper reliance on this document without written authorization and adaptation by Kimley-Horn and Associates, Inc. shall be without liability to Kimley-Horn and Associates, Inc.



DEMOLITION LEGEND	
	PROPERTY LINE
	LIMITS OF DISTURBANCE
	DEMOLISH SITE ITEM
	DEMOLISH UNDERGROUND UTILITY
	ABANDON UTILITY IN PLACE
	SAWCUT
	DEMOLISH SITE ITEM / TREE TO BE REMOVED
	BUILDINGS TO BE REMOVED
	SIDEWALK/PAVEMENT/GRAVEL TO BE REMOVED

NO.	REVISIONS	DATE	BY

Kimley»Horn
 © 2023 KIMLEY-HORN AND ASSOCIATES, INC.
 #F-0102 WWW.KIMLEY-HORN.COM PHONE: 919-677-2000 FAX: 919-677-2050
 421 FAYETTEVILLE STREET, SUITE 600, RALEIGH, NC 27601

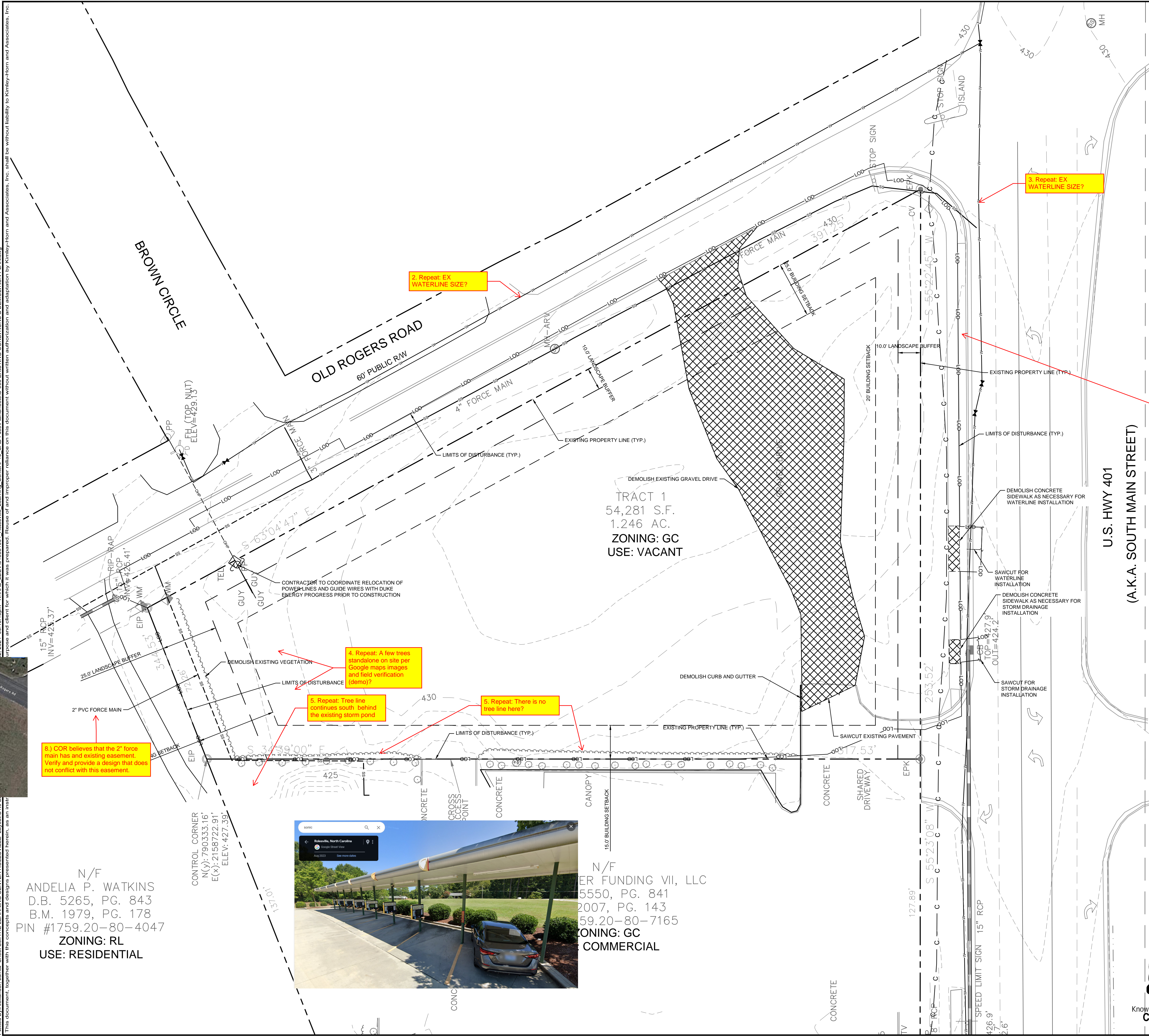


KHA PROJECT	013031004
DATE	09/29/2023
SCALE	AS SHOWN
DESIGNED BY	JAA
DRAWN BY	JAA
CHECKED BY	COB

EXISTING CONDITIONS & DEMOLITION PLAN

THE LEARNING CENTER ROLESVILLE
 PREPARED FOR
ROLESVILLE, LLC.
 TOWN OF ROLESVILLE, NORTH CAROLINA

SHEET NUMBER
C1.0



2. Repeat: EX WATERLINE SIZE?

3. Repeat: EX WATERLINE SIZE?

7.) The existing walk to be demo'd? Will need to verify if the Planner will allow widening as apposed to demoing and replacing the entire walk.

4. Repeat: A few trees stand alone on site per Google maps images and field verification (demo)?

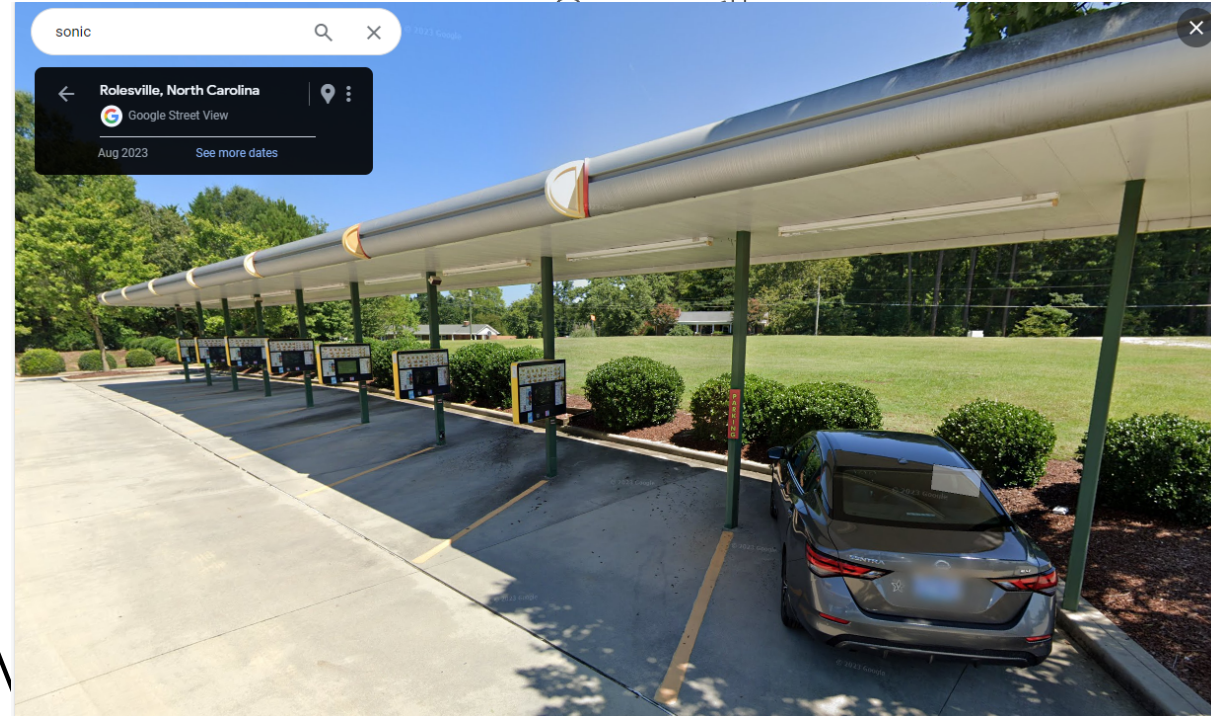
5. Repeat: Tree line continues south behind the existing storm pond

5. Repeat: There is no tree line here?

8.) COR believes that the 2\"/>

6. IMAPS shows that there is currently a septic tank permitted on site. Provides documentation that septic tank and leach field have been remediated/abandoned or let us know how you are planning to manage the on-site septic system. Please add location to the existing condition sheet.

SURVEY NOTE:
 EXISTING TOPOGRAPHICAL INFORMATION IS BASED ON A TOPOGRAPHIC SURVEY OBTAINED ON 02/23/2023 BY CMP PROFESSIONAL LAND SURVEYORS, 333 S. WHITE STREET, WAKE FOREST, NC, 27588. PHONE: (919) 556-3148. CONTRACTOR SHALL BE RESPONSIBLE FOR VERIFYING ALL EXISTING INFORMATION, DEPICTED OR NOT, PRIOR TO CONSTRUCTION AND REPORT POTENTIAL CONFLICTS TO OWNER AND ENGINEER.



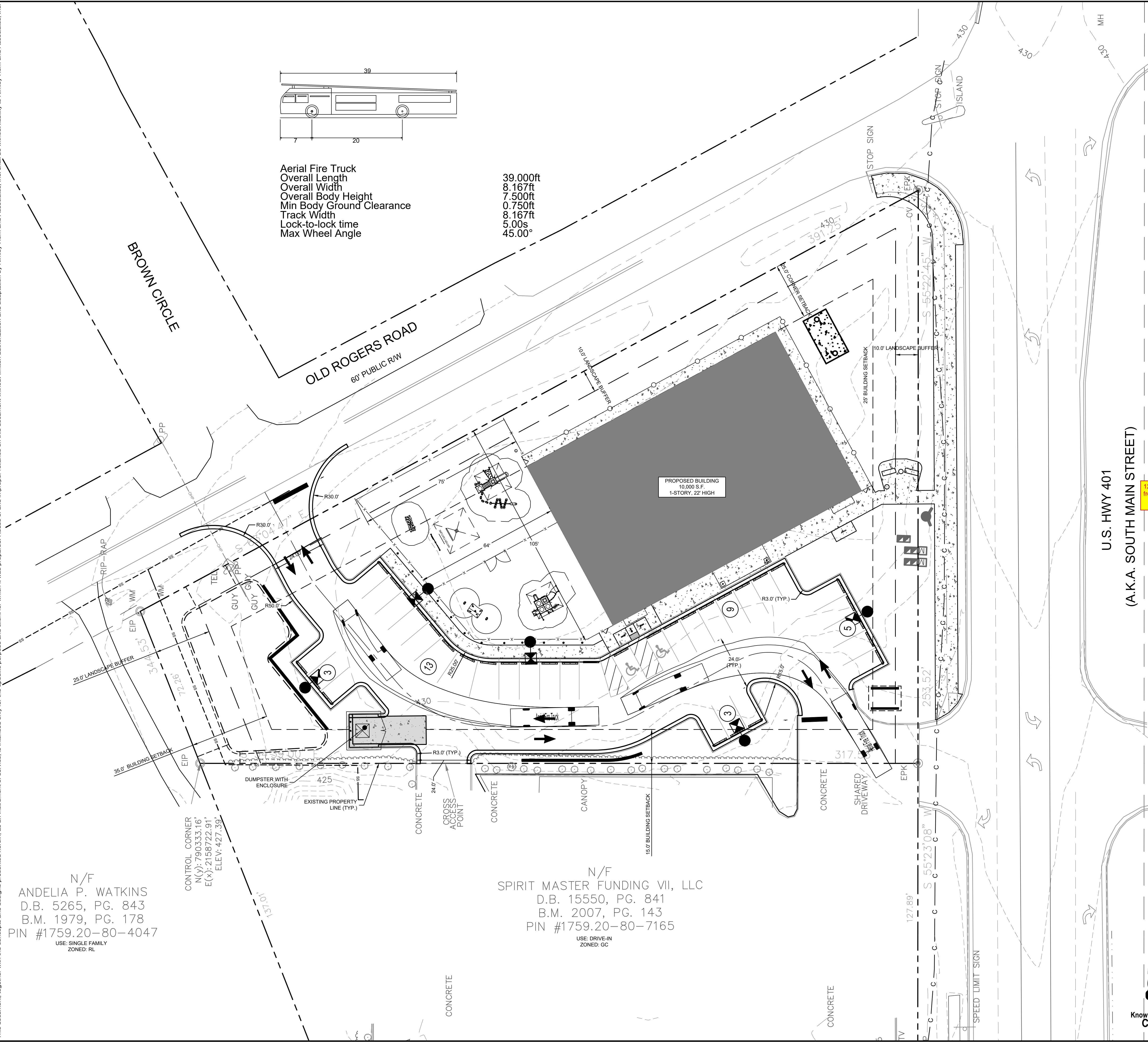
N/F
 ANDELIA P. WATKINS
 D.B. 5265, PG. 843
 B.M. 1979, PG. 178
 PIN #1759.20-80-4047
 ZONING: RL
 USE: RESIDENTIAL

N/F
 ER FUNDING VII, LLC
 5550, PG. 841
 2007, PG. 143
 59.20-80-7165
 ZONING: GC
 COMMERCIAL

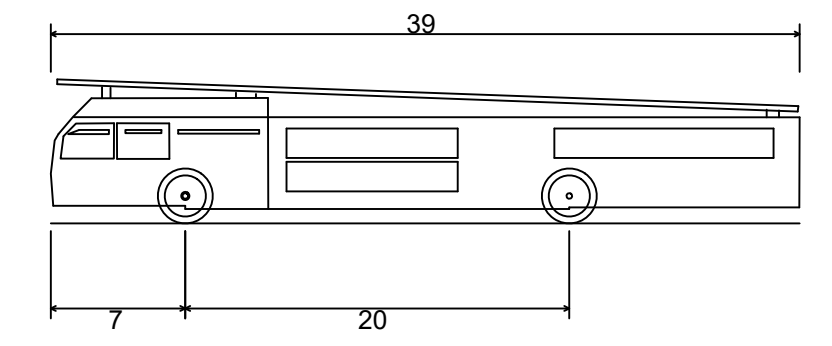


SDP-23-07

Plotted By: Alexander, Jamal Sheet Set: THE LEARNING CENTER ROLESVILLE Layout: C2.1 TRUCK ROUTING EXHIBIT January 02, 2024 05:55:27pm K:\RAL_LDEV\013031004_Rolesville_Learning_Center\P10_CAD_Files\PlanSheets\C2.1 TRUCK ROUTING EXHIBIT.dwg
 This document, together with the concepts and designs presented herein, is an instrument of service, as intended only for the specific purpose and client for which it was prepared. Reuse of and improper reliance on this document without written authorization and adaptation by Kimley-Horn and Associates, Inc. shall be without liability to Kimley-Horn and Associates, Inc.



Aerial Fire Truck
 Overall Length 39.000ft
 Overall Width 8.167ft
 Overall Body Height 7.500ft
 Min Body Ground Clearance 0.750ft
 Track Width 8.167ft
 Lock-to-lock time 5.00s
 Max Wheel Angle 45.00°



SITE LEGEND	
	PROPERTY LINE
	EASEMENT LINE
	6' WHITE VINYL FENCE
	4' WHITE PVC FENCE
	STANDARD CURB AND GUTTER
	PARKING SPACE COUNT
	SIGN (SEE PLAN)
	LIGHT POLE
	WHEEL STOP
	ACCESSIBLE PARKING MARKING (V INDICATES VAN ACCESSIBLE)
	DIRECTIONAL PAVEMENT ARROWS
	ACCESSIBLE RAMP
	ACCESSIBLE ROUTE
	LIGHT DUTY ASPHALT
	HEAVY DUTY ASPHALT
	STANDARD DUTY CONCRETE
	HEAVY DUTY CONCRETE

PARKING:	MIN. REQUIRED: (2.5 SPACES/1,000 SF)	X 10,000 SF = 25 SPACES
	MAX. ALLOWED: (5 SPACES/1,000 SF)	X 10,000 SF = 50 SPACES
ACCESSIBLE PARKING:	PROVIDED: 33 SPACES	REQUIRED: 2 SPACES
	PROVIDED: 2 SPACES	REQUIRED: 2 SPACES
BICYCLE PARKING:	MIN. REQUIRED: (1 SPACE/5,000 SF)	X 10,000 SF = 2 SPACES
	PROVIDED: 2 SPACES	REQUIRED: 2 SPACES

12. Remove Handicap ramps from parking table.

N/F
 ANDELIA P. WATKINS
 D.B. 5265, PG. 843
 B.M. 1979, PG. 178
 PIN #1759.20-80-4047
 USE: SINGLE FAMILY
 ZONED: RL

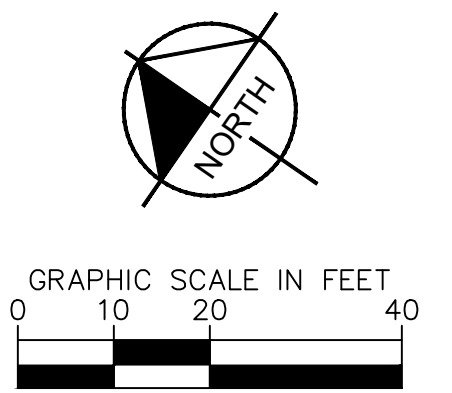
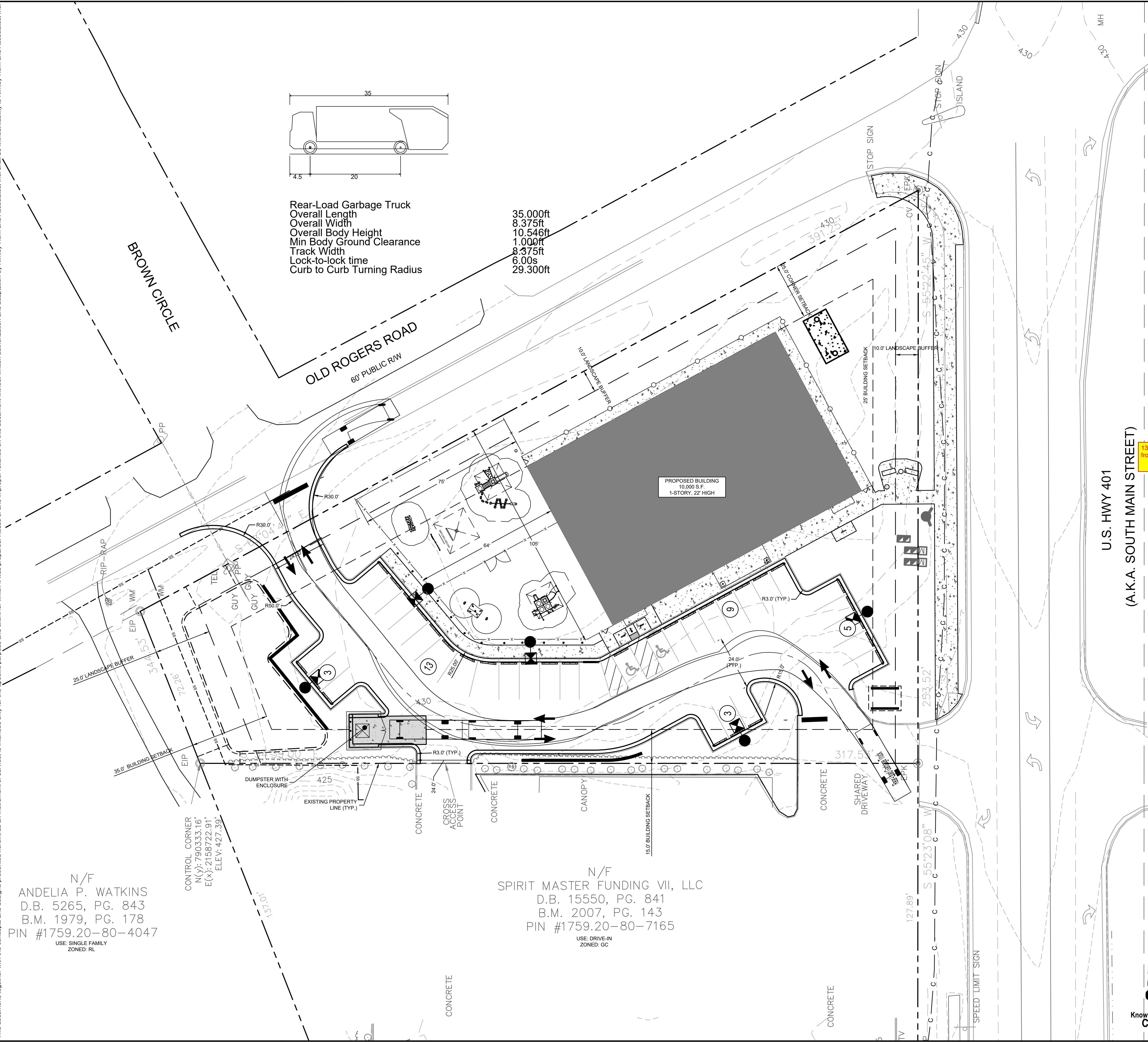
N/F
 SPIRIT MASTER FUNDING VII, LLC
 D.B. 15550, PG. 841
 B.M. 2007, PG. 143
 PIN #1759.20-80-7165
 USE: DRIVE-IN
 ZONED: GC

SURVEY NOTE:
 EXISTING TOPOGRAPHICAL INFORMATION IS BASED ON A TOPOGRAPHIC SURVEY OBTAINED ON 02/23/2023 BY CMP PROFESSIONAL LAND SURVEYORS, 333 S. WHITE STREET, WAKE FOREST, NC, 27588. PHONE: (919) 556-3148. CONTRACTOR SHALL BE RESPONSIBLE FOR VERIFYING ALL EXISTING INFORMATION, DEPICTED OR NOT, PRIOR TO CONSTRUCTION AND REPORT POTENTIAL CONFLICTS TO OWNER AND ENGINEER.



 © 2023 KIMLEY-HORN AND ASSOCIATES, INC. #F-0102 WWW.KIMLEY-HORN.COM PHONE: 919.677.2000 FAX: 919.677.2050 421 FAYETTEVILLE STREET, SUITE 600, RALEIGH, NC 27601		NO.	DATE
		7	
THE LEARNING CENTER ROLESVILLE PREPARED FOR ROLESVILLE, LLC. TOWN OF ROLESVILLE NORTH CAROLINA		TRUCK ROUTING EXHIBIT	
SHEET NUMBER C2.1		SDP-23-07	

Plotted By: Alexander, Jamal Sheet Set: THE LEARNING CENTER ROLESVILLE Layout: C2.2 TRUCK ROUTING EXHIBIT January 02, 2024 05:55:29pm K:\RAL_LDEV\013031004_Rolesville_Learning_Center\P10_CAD_Files\PlanSheets\C2.1 TRUCK ROUTING EXHIBIT.dwg
 This document, together with the concepts and designs presented herein, is an instrument of service, as intended only for the specific purpose and client for which it was prepared. Reuse of and improper reliance on this document without written authorization and adaptation by Kimley-Horn and Associates, Inc. shall be without liability to Kimley-Horn and Associates, Inc.



SITE LEGEND	
	PROPERTY LINE
	EASEMENT LINE
	6' WHITE VINYL FENCE
	4' WHITE PVC FENCE
	STANDARD CURB AND GUTTER
	PARKING SPACE COUNT
	SIGN (SEE PLAN)
	LIGHT POLE
	WHEEL STOP
	ACCESSIBLE PARKING MARKING (V INDICATES VAN ACCESSIBLE)
	DIRECTIONAL PAVEMENT ARROWS
	ACCESSIBLE RAMP
	ACCESSIBLE ROUTE
	LIGHT DUTY ASPHALT
	HEAVY DUTY ASPHALT
	STANDARD DUTY CONCRETE
	HEAVY DUTY CONCRETE

PARKING:	MIN. REQUIRED: (2.5 SPACES/1,000 SF)	X 10,000 SF = 25 SPACES
	MAX. ALLOWED: (5 SPACES/1,000 SF)	X 10,000 SF = 50 SPACES
ACCESSIBLE PARKING:	PROVIDED: 33 SPACES	REQUIRED: 7 SPACES
	PROVIDED: 2 SPACES	REQUIRED: 2 SPACES
BICYCLE PARKING:	MIN. REQUIRED: (1 SPACE/5,000 SF)	X 10,000 SF = 2 SPACES
	PROVIDED: 2 SPACES	

13. Remove Handicap ramps from parking table.



N/F
 ANDELIA P. WATKINS
 D.B. 5265, PG. 843
 B.M. 1979, PG. 178
 PIN #1759.20-80-4047
 USE: SINGLE FAMILY
 ZONED: RL

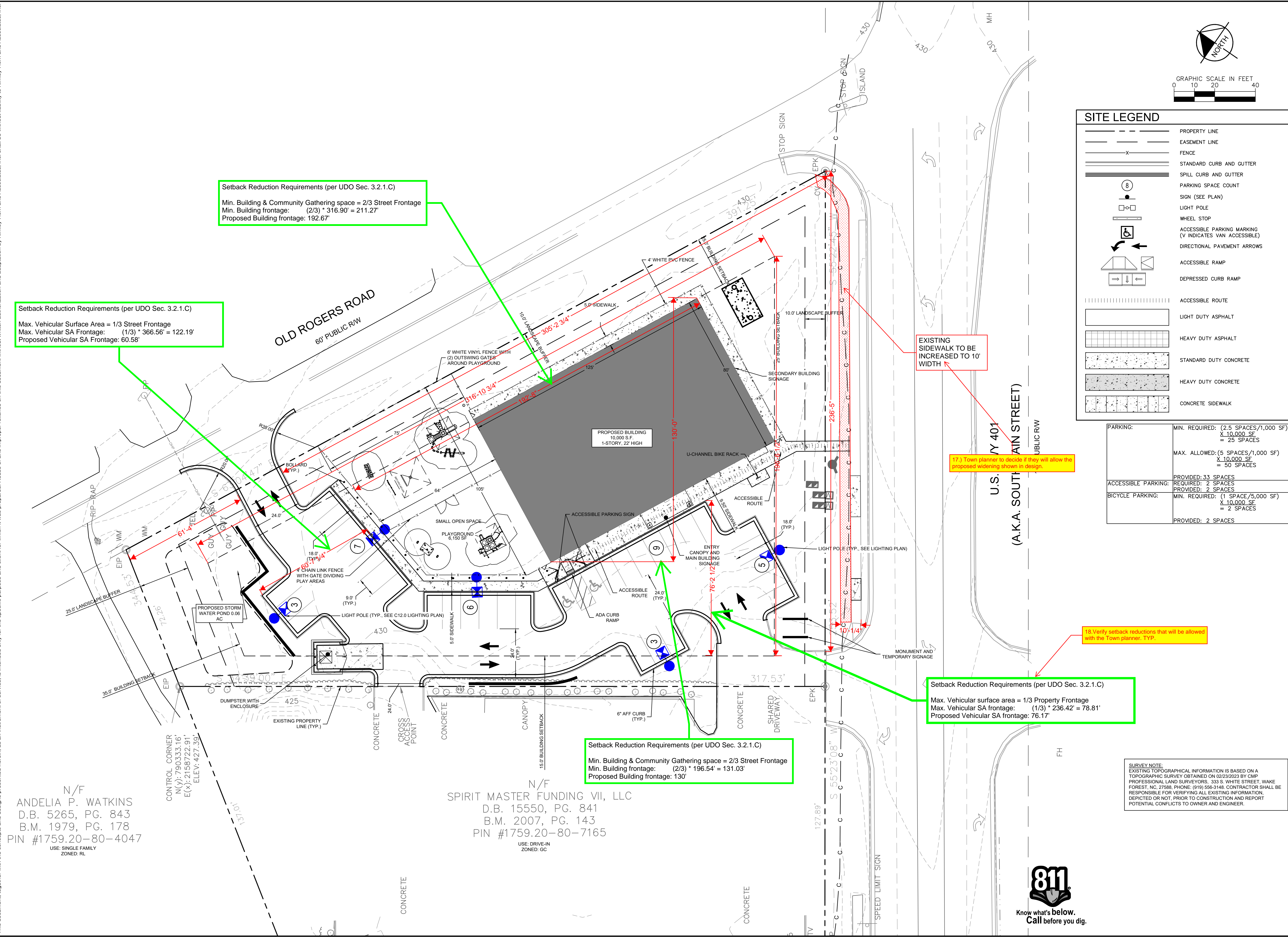
N/F
 SPIRIT MASTER FUNDING VII, LLC
 D.B. 15550, PG. 841
 B.M. 2007, PG. 143
 PIN #1759.20-80-7165
 USE: DRIVE-IN
 ZONED: GC

SURVEY NOTE:
 EXISTING TOPOGRAPHICAL INFORMATION IS BASED ON A TOPOGRAPHIC SURVEY OBTAINED ON 02/23/2023 BY CMP PROFESSIONAL LAND SURVEYORS, 333 S. WHITE STREET, WAKE FOREST, NC, 27588. PHONE: (919) 556-3148. CONTRACTOR SHALL BE RESPONSIBLE FOR VERIFYING ALL EXISTING INFORMATION, DEPICTED OR NOT, PRIOR TO CONSTRUCTION AND REPORT POTENTIAL CONFLICTS TO OWNER AND ENGINEER.



 © 2023 KIMLEY-HORN AND ASSOCIATES, INC. #F-0102 WWW.KIMLEY-HORN.COM PHONE: 919.677.2000 FAX: 919.677.2050 421 FAYETTEVILLE STREET, SUITE 600, RALEIGH, NC 27601		NO.	BY
		REVISIONS	DATE
THE LEARNING CENTER ROLESVILLE PREPARED FOR ROLESVILLE, LLC. TOWN OF ROLESVILLE NORTH CAROLINA		TRUCK ROUTING EXHIBIT	
SHEET NUMBER C2.2		SDP-23-07	

Plotted By: Alexander, Jamal Sheet Set: THE LEARNING CENTER ROLESVILLE, Layout: C2.0 SITE PLAN, October 02, 2023 09:41:05pm K:\RAL_L\DEVELO\30031004_Rolesville_Leaning_Center\T10_CAD Files\Plan\Sheet\C2.0 SITE PLAN.dwg
 This document, together with the concepts and designs presented herein, is an instrument of service, as an instrument of service, is intended only for the specific purpose and client for which it was prepared. Reuse of and improper reliance on this document without written authorization and adaptation by Kimley-Horn and Associates, Inc. shall be without liability to Kimley-Horn and Associates, Inc.



Setback Reduction Requirements (per UDO Sec. 3.2.1.C)
 Min. Building & Community Gathering space = 2/3 Street Frontage
 Min. Building frontage: (2/3) * 316.90' = 211.27'
 Proposed Building frontage: 192.67'

Setback Reduction Requirements (per UDO Sec. 3.2.1.C)
 Max. Vehicular Surface Area = 1/3 Street Frontage
 Max. Vehicular SA Frontage: (1/3) * 366.56' = 122.19'
 Proposed Vehicular SA Frontage: 60.58'

Setback Reduction Requirements (per UDO Sec. 3.2.1.C)
 Min. Building & Community Gathering space = 2/3 Street Frontage
 Min. Building frontage: (2/3) * 196.54' = 131.03'
 Proposed Building frontage: 130'

Setback Reduction Requirements (per UDO Sec. 3.2.1.C)
 Max. Vehicular surface area = 1/3 Property Frontage
 Max. Vehicular SA frontage: (1/3) * 236.42' = 78.81'
 Proposed Vehicular SA frontage: 76.17'

SITE LEGEND	
	PROPERTY LINE
	EASEMENT LINE
	FENCE
	STANDARD CURB AND GUTTER
	SPILL CURB AND GUTTER
	PARKING SPACE COUNT
	SIGN (SEE PLAN)
	LIGHT POLE
	WHEEL STOP
	ACCESSIBLE PARKING MARKING (V INDICATES VAN ACCESSIBLE)
	DIRECTIONAL PAVEMENT ARROWS
	ACCESSIBLE RAMP
	DEPRESSED CURB RAMP
	ACCESSIBLE ROUTE
	LIGHT DUTY ASPHALT
	HEAVY DUTY ASPHALT
	STANDARD DUTY CONCRETE
	HEAVY DUTY CONCRETE
	CONCRETE SIDEWALK

PARKING:	MIN. REQUIRED: (2.5 SPACES/1,000 SF) X 10,000 SF = 25 SPACES
	MAX. ALLOWED: (5 SPACES/1,000 SF) X 10,000 SF = 50 SPACES
ACCESSIBLE PARKING:	PROVIDED: 33 SPACES REQUIRED: 2 SPACES
BICYCLE PARKING:	MIN. REQUIRED: (1 SPACE/5,000 SF) X 10,000 SF = 2 SPACES PROVIDED: 2 SPACES

REVISIONS
 No. DATE BY

© 2023 KIMLEY-HORN AND ASSOCIATES, INC.
 #F-0102 WWW.KIMLEY-HORN.COM PHONE: 919.677.2000 FAX: 919.677.2050
 421 FAYETTEVILLE STREET, SUITE 600, RALEIGH, NC 27601

RHA PROJECT: 013031004
 DATE: 09/29/2023
 SCALE: AS SHOWN
 DESIGNED BY: JAA
 DRAWN BY: JAA
 CHECKED BY: COE

BUILD-TO EXHIBIT

THE LEARNING CENTER ROLESVILLE
 PREPARED FOR
ROLESVILLE, LLC.
 TOWN OF ROLESVILLE NORTH CAROLINA

SHEET NUMBER
C2.3

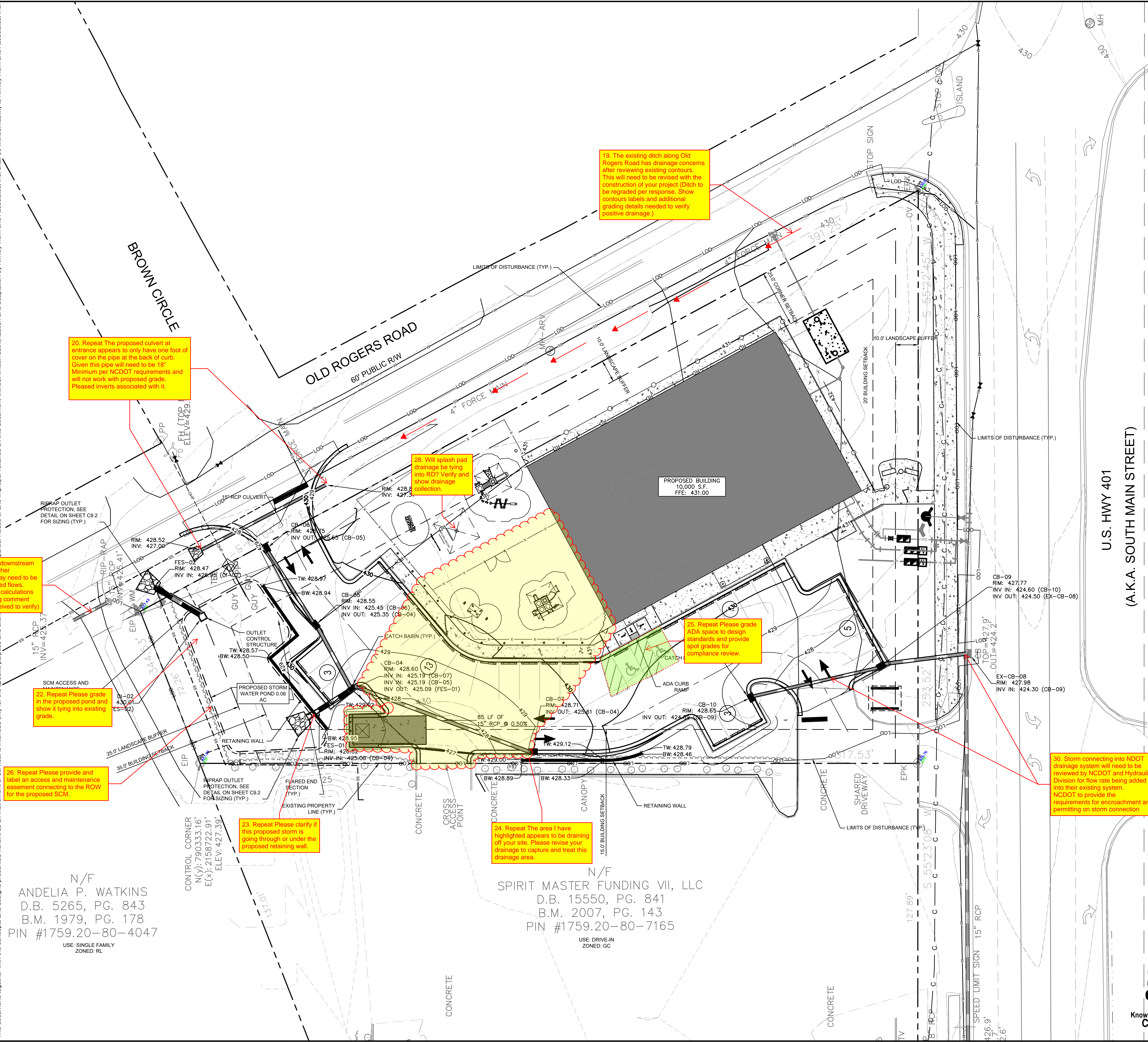
N/F
 ANDELIA P. WATKINS
 D.B. 5265, PG. 843
 B.M. 1979, PG. 178
 PIN #1759.20-80-4047
 USE: SINGLE FAMILY
 ZONED: RL

N/F
 SPIRIT MASTER FUNDING VII, LLC
 D.B. 15550, PG. 841
 B.M. 2007, PG. 143
 PIN #1759.20-80-7165
 USE: DRIVE-IN
 ZONED: GC

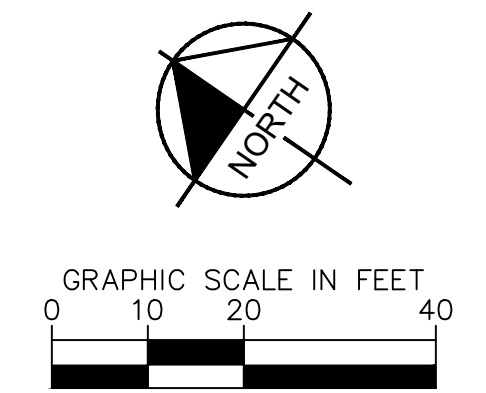
SURVEY NOTE:
 EXISTING TOPOGRAPHICAL INFORMATION IS BASED ON A TOPOGRAPHIC SURVEY OBTAINED ON 02/23/2023 BY CMP PROFESSIONAL LAND SURVEYORS, 333 S. WHITE STREET, WAKE FOREST, NC 27588. PHONE: (919) 556-3148. CONTRACTOR SHALL BE RESPONSIBLE FOR VERIFYING ALL EXISTING INFORMATION, DEPICTED OR NOT, PRIOR TO CONSTRUCTION AND REPORT POTENTIAL CONFLICTS TO OWNER AND ENGINEER.



Plotted By: Alexander, Jamal Sheet Set: THE LEARNING CENTER ROLESVILLE, Layout: C3.0 GRADING PLAN, January 02, 2024, 05:55:42pm, K:\B\AL_L\05\01\303\1004...
 This document, together with the concepts and designs presented herein, is an instrument of service, as intended only for the specific purpose and client...
 This document is the property of Kimley-Horn and Associates, Inc. and shall be without liability to Kimley-Horn and Associates, Inc. should it be used for any other purpose without the written authorization and adaptation by Kimley-Horn and Associates, Inc.



GRADING AND DRAINAGE LEGEND	
	PROPERTY LINE
	STORM DRAIN (≥ 12 INCH)
	STORM DRAIN (< 12 INCH)
	ROOF DRAIN
	CURB AND GUTTER
	LIMITS OF DISTURBANCE
	EXISTING CONTOUR
	PROPOSED CONTOUR
	SPOT ELEVATION
	CATCH BASIN (CB)
	MANHOLE (SDMH)
	CLEANOUT (SDCO)
	DROP INLET (DI)
	AREA DRAIN (AD)
	CONTROL STRUCTURE (CS)
	FLARED END SECTION (FES)
	CONCRETE HEADWALL (HW)
	RIP-RAP APRON
	FLOW ARROW
	TOP OF WALL (GRADE ELEV.)
	BOTTOM OF WALL (GRADE ELEV.)
	TOP OF PAVEMENT (GRADE ELEV.)
	TOP OF CURB (GRADE ELEV.)
	FLUSH CURB (GRADE ELEV.)



N/F
 ANDELIA P. WATKINS
 D.B. 5265, PG. 843
 B.M. 1979, PG. 178
 PIN #1759.20-80-4047
 USE: SINGLE FAMILY
 ZONED: RL

N/F
 SPIRIT MASTER FUNDING VII, LLC
 D.B. 15550, PG. 841
 B.M. 2007, PG. 143
 PIN #1759.20-80-7165
 USE: DRIVE-IN
 ZONED: GC

		SHEET NUMBER C3.0	
		SHEET NUMBER C3.0	
THE LEARNING CENTER ROLESVILLE PREPARED FOR ROLESVILLE, LLC. TOWN OF ROLESVILLE NORTH CAROLINA		SHEET NUMBER C3.0	
KHA PROJECT 013031004		DATE 09/29/2023	
SCALE AS SHOWN		DESIGNED BY JAA	
DRAWN BY JAA		CHECKED BY COE	
REVISIONS No.		DATE	



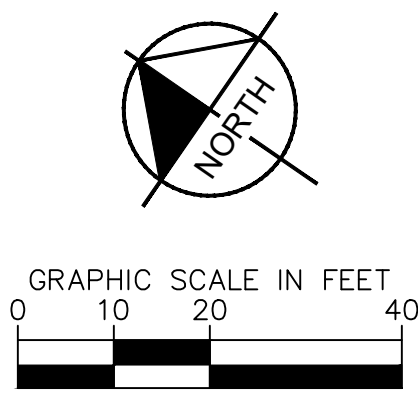
SDP-23-07

Plotted By: Alexander, Jamal Sheet Set: THE LEARNING CENTER ROLESVILLE, Layout: C4.0 UTILITY PLAN, January 02, 2024, 05:55:52pm. K:\RAL_LDEV\0130031004_Rolesville_Learning_Center\10_CAD Files\Plan\Sheet\C4.0 UTILITY PLAN.dwg
 This document, together with the concepts and designs presented herein, is an instrument of service, is intended only for the specific purpose and client for which it was prepared. Reuse of and improper reliance on this document without written authorization and adaptation by Kimley-Horn and Associates, Inc. shall be without liability to Kimley-Horn and Associates, Inc.

STANDARD UTILITY NOTES

- ALL MATERIALS AND CONSTRUCTION METHODS SHALL BE IN ACCORDANCE WITH CITY OF RALEIGH DESIGN STANDARDS & SPECIFICATIONS
- UTILITY SEPARATION REQUIREMENTS:
 - A DISTANCE OF 100' SHALL BE MAINTAINED BETWEEN SANITARY SEWER & ANY PRIVATE OR PUBLIC WATER SUPPLY SOURCE SUCH AS AN IMPOUNDED RESERVOIR USED AS A SOURCE OF DRINKING WATER. IF ADEQUATE LATERAL SEPARATION CANNOT BE ACHIEVED, FERROUS SANITARY SEWER PIPE SHALL BE SPECIFIED & INSTALLED TO WATERLINE SPECIFICATIONS. HOWEVER, THE MINIMUM SEPARATION SHALL NOT BE LESS THAN 25' FROM A PRIVATE WELL, OR 50' FROM A PUBLIC WELL.
 - WHEN INSTALLING WATER &/OR SEWER MAINS, THE HORIZONTAL SEPARATION BETWEEN UTILITIES SHALL BE 10'. IF THIS SEPARATION CANNOT BE MAINTAINED DUE TO EXISTING CONDITIONS, THE VARIATION ALLOWED IS THE WATER MAIN IN A SEPARATE TRENCH WITH THE ELEVATION OF THE WATER MAIN AT LEAST 18" ABOVE THE TOP OF THE SEWER & MUST BE APPROVED BY THE PUBLIC UTILITIES DIRECTOR. ALL DISTANCES ARE MEASURED FROM OUTSIDE DIAMETER TO OUTSIDE DIAMETER.
 - WHERE IT IS IMPOSSIBLE TO OBTAIN PROPER SEPARATION, OR ANYTIME A SANITARY SEWER PASSES OVER A WATER MAIN, DIP MATERIALS OR STEEL ENCASMENT EXTENDED 10' ON EACH SIDE OF CROSSING MUST BE SPECIFIED & INSTALLED TO WATERLINE SPECIFICATIONS.
 - 5.0' MINIMUM HORIZONTAL SEPARATION IS REQUIRED BETWEEN ALL SANITARY SEWER & STORM SEWER FACILITIES, UNLESS DIP MATERIAL IS SPECIFIED FOR SANITARY SEWER.
 - MAINTAIN 18" MIN. VERTICAL SEPARATION AT ALL WATER MAIN & RCP STORM DRAIN CROSSINGS; MAINTAIN 24" MIN. VERTICAL SEPARATION AT ALL SANITARY SEWER & RCP STORM DRAIN CROSSINGS, WHERE ADEQUATE SEPARATIONS CANNOT BE ACHIEVED. SPECIFY DIP MATERIALS & A CONCRETE CRADLE HAVING 6" MIN. CLEARANCE.
 - ALL OTHER UNDERGROUND UTILITIES SHALL CROSS WATER & SEWER FACILITIES WITH 18" MIN. VERTICAL SEPARATION REQUIRED.
- ANY NECESSARY FIELD REVISIONS ARE SUBJECT TO REVIEW & APPROVAL OF AN AMENDED PLAN &/OR PROFILE BY THE CITY OF RALEIGH PUBLIC UTILITIES DEPARTMENT PRIOR TO CONSTRUCTION.
- CONTRACTOR SHALL MAINTAIN CONTINUOUS WATER & SEWER SERVICE TO EXISTING RESIDENCES & BUSINESSES THROUGHOUT CONSTRUCTION OF PROJECT. ANY NECESSARY SERVICE INTERRUPTIONS SHALL BE PRECEDED BY A 24 HOUR ADVANCE NOTICE TO THE CITY OF RALEIGH PUBLIC UTILITIES DEPARTMENT.
- 3.0' MINIMUM COVER IS REQUIRED ON ALL WATER MAINS & SEWER FORCE MAINS. 4.0' MINIMUM COVER IS REQUIRED ON ALL REUSE MAINS.
- IT IS THE DEVELOPER'S RESPONSIBILITY TO ABANDON OR REMOVE EXISTING WATER & SEWER SERVICES NOT BEING USED IN REDEVELOPMENT OF A SITE UNLESS OTHERWISE DIRECTED BY THE CITY OF RALEIGH PUBLIC UTILITIES DEPARTMENT. THIS INCLUDES ABANDONING TAP AT MAIN & REMOVAL OF SERVICE FROM ROW OR EASEMENT.
- INSTALL 2" WATER SERVICES WITH METERS LOCATED AT ROW OR WITHIN A 2'x2' WATERLINE EASEMENT IMMEDIATELY ADJACENT. NOTE: IT IS THE APPLICANT'S RESPONSIBILITY TO PROPERLY SIZE THE WATER SERVICE FOR EACH CONNECTION TO PROVIDE ADEQUATE FLOW & PRESSURE.
- INSTALL 4" PVC SEWER SERVICES @ 2.0% MINIMUM GRADE WITH CLEANOUTS LOCATED AT ROW OR EASEMENT LINE & SPACED EVERY 75' LINEAR FEET MAXIMUM.
- PRESSURE REDUCING VALVES ARE REQUIRED ON ALL WATER SERVICES EXCEEDING 80 PSI; BACKWATER VALVES ARE REQUIRED ON ALL SANITARY SEWER SERVICES HAVING BUILDING DRAINS LOWER THAN 1.0' ABOVE THE NEXT UPSTREAM MANHOLE.
- ALL ENVIRONMENTAL PERMITS APPLICABLE TO THE PROJECT MUST BE OBTAINED FROM NCDOW, USACE &/OR FEMA FOR ANY RIPARIAN BUFFER, WETLAND &/OR FLOODPLAIN IMPACTS (RESPECTIVELY) PRIOR TO CONSTRUCTION.
- NC DOT ENCROACHMENT AGREEMENTS ARE REQUIRED FOR ANY UTILITY WORK (INCLUDING MAIN EXTENSIONS & SERVICE TAPS) WITHIN STATE ROW PRIOR TO CONSTRUCTION.
- CROSS-CONNECTION CONTROL PROTECTION DEVICES ARE REQUIRED BASED ON DEGREE OF HEALTH HAZARD INVOLVED AS LISTED IN APPENDIX-9 OF THE RULES GOVERNING PUBLIC WATER SYSTEMS IN NORTH CAROLINA. THESE GUIDELINES ARE THE MINIMUM REQUIREMENTS. THE DEVICES SHALL MEET AMERICAN SOCIETY OF SANITARY ENGINEERING (ASSE) STANDARDS OR BE ON THE UNIVERSITY OF SOUTHERN CALIFORNIA APPROVAL LIST. THE DEVICES SHALL BE INSTALLED AND TESTED (BOTH INITIAL AND PERIODIC TESTING THEREAFTER) IN ACCORDANCE WITH THE MANUFACTURER'S RECOMMENDATIONS OR THE LOCAL CROSS-CONNECTION CONTROL PROGRAM, WHICHEVER IS MORE STRINGENT.
- THE STATE OF NORTH CAROLINA AND C.O.R. PUBLIC WORKS DEPT. SHALL BE NOTIFIED IN WRITING PRIOR TO UTILITY INSTALLATION AND FOR SCHEDULING INSPECTIONS.

Revisions to the Road View and Building Level Profile will be made to the instrument by the City of Raleigh.

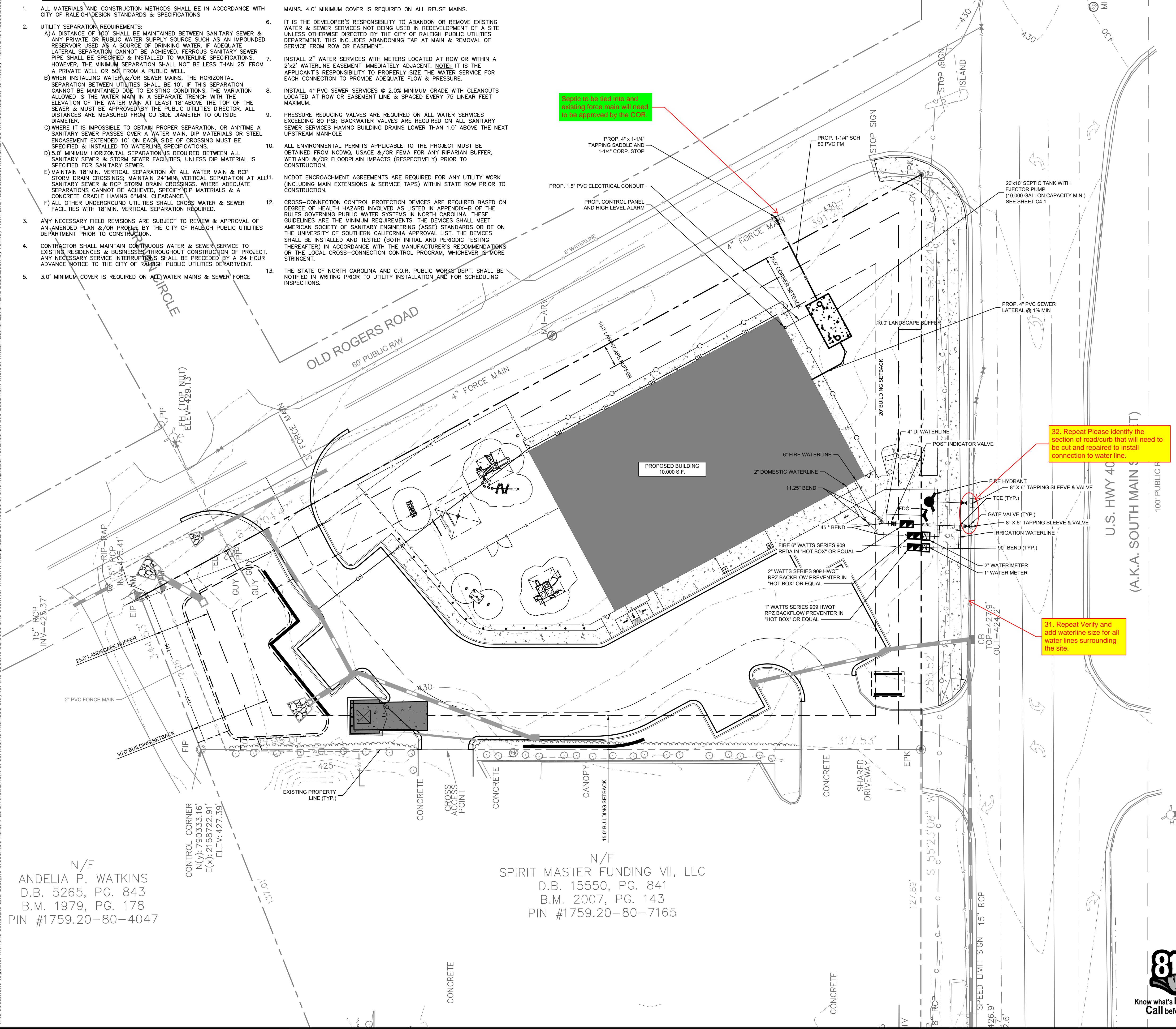


UTILITY LEGEND	
---	PROPERTY LINE
W	WATER LINE
FW	FIRE LINE
SS	SANITARY SEWER LINE
E	ELECTRIC
FO	FIBER OPTIC
G	GAS
P	POWER
T	TELECOMMUNICATION
C	CABLE
LP	LIGHT POLE
WM	WATER METER
GV	GATE VALVE
PC	POINT OF CONNECTION
BP	BACKFLOW PREVENTOR
RT	PIPE TEE/BENDS
FR	FIRE HYDRANT (FH)
FDC	FIRE DEPARTMENT CONNECTION (FDC)
SSCO	SANITARY SEWER CLEANOUT (SSCO)
SSMH	SANITARY SEWER MANHOLE (SSMH)
SSGT	SANITARY SEWER GREASE TRAP

STANDARD UTILITY NOTES (CONT.)

- TRAFFIC CONTROLS FOR ANY UTILITY WORK WITHIN THE PUBLIC RIGHT-OF-WAY SHALL BE IN COMPLIANCE WITH STANDARDS OF THE NORTH CAROLINA MANUAL ON UNIFORM TRAFFIC CONTROL DEVICES.
- IN THE EVENT AN ITEM IS NOT COVERED BY THESE PLANS, THEN THE STANDARDS AND SPECIFICATIONS CONTAINED IN THE CITY OF RALEIGH PUBLIC UTILITIES DEPARTMENT HANDBOOK COVERING SUCH ITEMS SHALL APPLY.
- IF CITY OF RALEIGH WATER AND SANITARY SEWER PERMITS ARE REQUIRED, CONTRACTOR IS RESPONSIBLE FOR ALL PERMIT FEES.
- LOCATIONS AND SIZES OF EXISTING WATER AND SEWER LINES SHOWN ON THESE PLANS WITHIN THE PROPERTY LIMITS OF THE SITE ARE ASSUMED BASED ON SURVEY OF SURFACE FEATURES (MANHOLES, VALVES, VAULTS, METERS, ETC.) PREPARED BY GSC SURVEYING, INC., 4072 BARRETT DRIVE, RALEIGH, N.C. 27609. IT IS SOLELY THE RESPONSIBILITY OF THE CONTRACTOR TO FIELD VERIFY THE HORIZONTAL AND VERTICAL LOCATION OF THE EXISTING UTILITIES PRIOR TO COMMENCING WORK. ANY DEVIATIONS FROM WHAT IS INDICATED ON THESE PLANS SHALL BE REPORTED TO THE DEVELOPER AND ENGINEER, IN WRITING, IMMEDIATELY.
- CONTRACTOR SHALL PROVIDE A MEANS TO KEEP ALL NEW PIPING ISOLATED FROM EXISTING PIPING UNTIL ALL NEW PIPING HAS BEEN TESTED, AND ACCEPTED FOR SERVICE.
- EXISTING UTILITIES SHALL BE PROTECTED DURING ALL CONSTRUCTION.
- THE SITE UTILITY CONTRACTOR SHALL PROVIDE ALL MATERIALS AND APPURTENANCES NECESSARY FOR COMPLETE INSTALLATION OF THE UTILITIES. ALL PUBLIC PIPE, STRUCTURES, AND FITTINGS SHALL BE INSPECTED BY THE CITY INSPECTOR PRIOR TO BEING COVERED. THE INSPECTOR MUST ALSO BE PRESENT DURING DISINFECTION AND PRESSURE TESTING OF ALL MAINS. THE CONTRACTOR'S BID PRICE SHALL INCLUDE ALL INSPECTION FEES.
- UTILITY WORK SHALL BE INSPECTED AND ACCEPTED BY CITY OF RALEIGH PRIOR TO PLACING INTO SERVICE.
- THERE SHALL BE A MINIMUM 3' CLEAR DISTANCE AROUND ALL FIRE HYDRANTS.
- THE CONTRACTOR SHALL BE RESPONSIBLE FOR PROVIDING "AS-BUILT" PLANS, PER CITY OF RALEIGH REQUIREMENTS, TO THE ENGINEER SHOWING THE LOCATION OF WATER AND SEWER SERVICES AND ANY DEVIATIONS FROM PLANS MADE DURING CONSTRUCTION. THE ENGINEER WILL PROVIDE THESE RECORD PLANS TO THE CITY OF RALEIGH.

SURVEY NOTE:
 EXISTING TOPOGRAPHICAL INFORMATION IS BASED ON A TOPOGRAPHIC SURVEY OBTAINED ON 02/23/2023 BY CMP PROFESSIONAL LAND SURVEYORS, 333 S. WHITE STREET, WAKE FOREST, NC, 27588. PHONE: (919) 556-3148. CONTRACTOR SHALL BE RESPONSIBLE FOR VERIFYING ALL EXISTING INFORMATION, DEPICTED OR NOT, PRIOR TO CONSTRUCTION AND REPORT POTENTIAL CONFLICTS TO OWNER AND ENGINEER.



32. Repeat Please identify the section of road/curb that will need to be cut and repaired to install connection to water line.

31. Repeat Verify and add waterline size for all water lines surrounding the site.

N/F
 ANDELIA P. WATKINS
 D.B. 5265, PG. 843
 B.M. 1979, PG. 178
 PIN #1759.20-80-4047

N/F
 SPIRIT MASTER FUNDING VII, LLC
 D.B. 15550, PG. 841
 B.M. 2007, PG. 143
 PIN #1759.20-80-7165



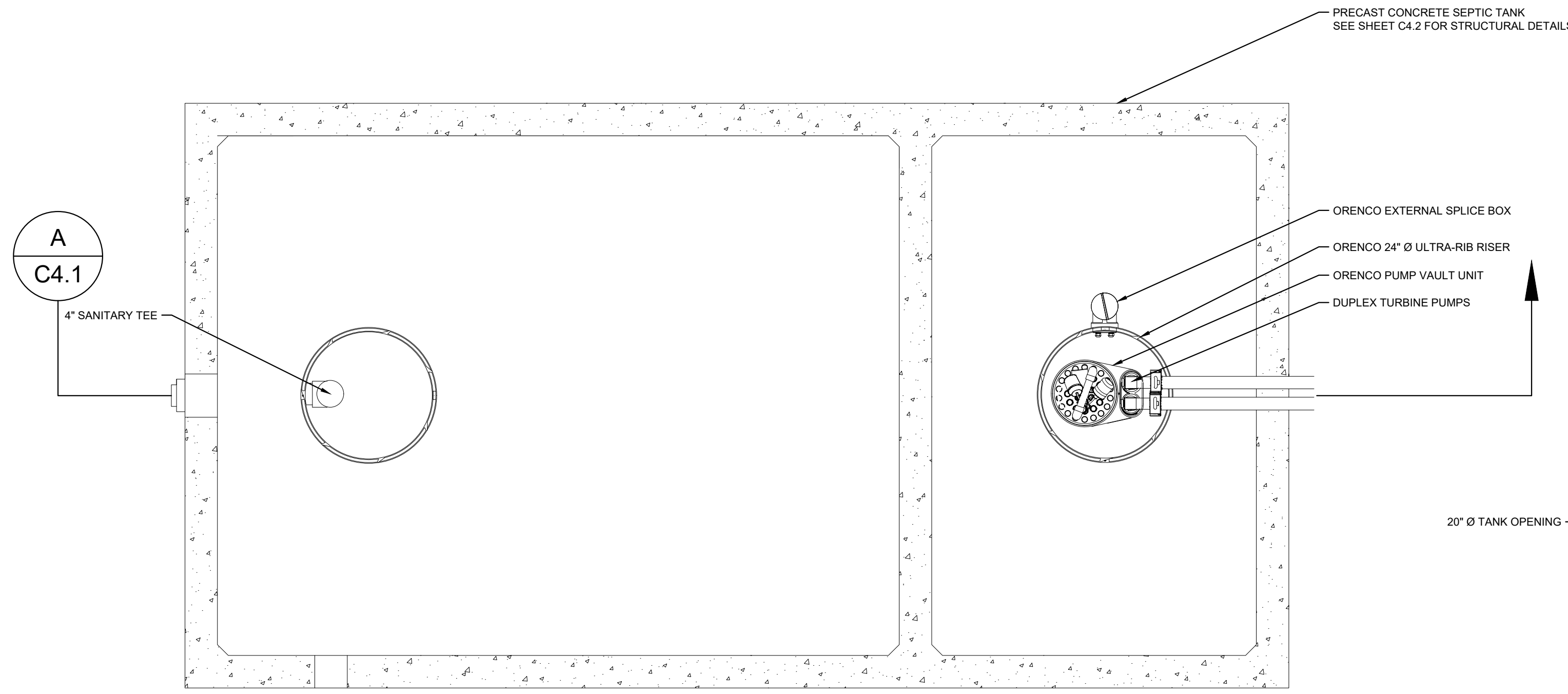
SDP-23-07

Kimley»Horn		© 2023 KIMLEY-HORN AND ASSOCIATES, INC. #F-0102 WWW.KIMLEY-HORN.COM PHONE: 919.677.2000 FAX: 919.677.2050 421 FAYETTEVILLE STREET, SUITE 600, RALEIGH, NC 27601															
		UTILITY PLAN															
KHA PROJECT 013031004	DATE 09/29/2023	SCALE AS SHOWN															
DESIGNED BY JAA	DRAWN BY JAA	CHECKED BY COB															
THE LEARNING CENTER ROLESVILLE	PREPARED FOR ROLESVILLE, LLC.	TOWN OF ROLESVILLE NORTH CAROLINA															
SHEET NUMBER C4.0		REVISIONS <table border="1" style="width: 100%; border-collapse: collapse; font-size: 8px;"> <thead> <tr> <th>NO.</th> <th>DATE</th> <th>BY</th> </tr> </thead> <tbody> <tr> <td> </td> <td> </td> <td> </td> </tr> <tr> <td> </td> <td> </td> <td> </td> </tr> <tr> <td> </td> <td> </td> <td> </td> </tr> <tr> <td> </td> <td> </td> <td> </td> </tr> </tbody> </table>	NO.	DATE	BY												
NO.	DATE	BY															

Plotted By: Alexander, Jamal Sheet Set: THE LEARNING CENTER ROLESVILLE Layout: C4.1 MECHANICAL PLAN January 02, 2024 05:56:01 pm K:\RAL_LDEV\013031004_Rolesville_Learning_Center\P10_CAD Files\PlanSheets\C4.1 MECHANICAL PLAN.dwg
 This document, together with the concepts and designs presented herein, is an instrument of service, is intended only for the specific purpose and client for which it was prepared. Reuse of and improper reliance on this document without written authorization and adaptation by Kimley-Horn and Associates, Inc. shall be without liability to Kimley-Horn and Associates, Inc.

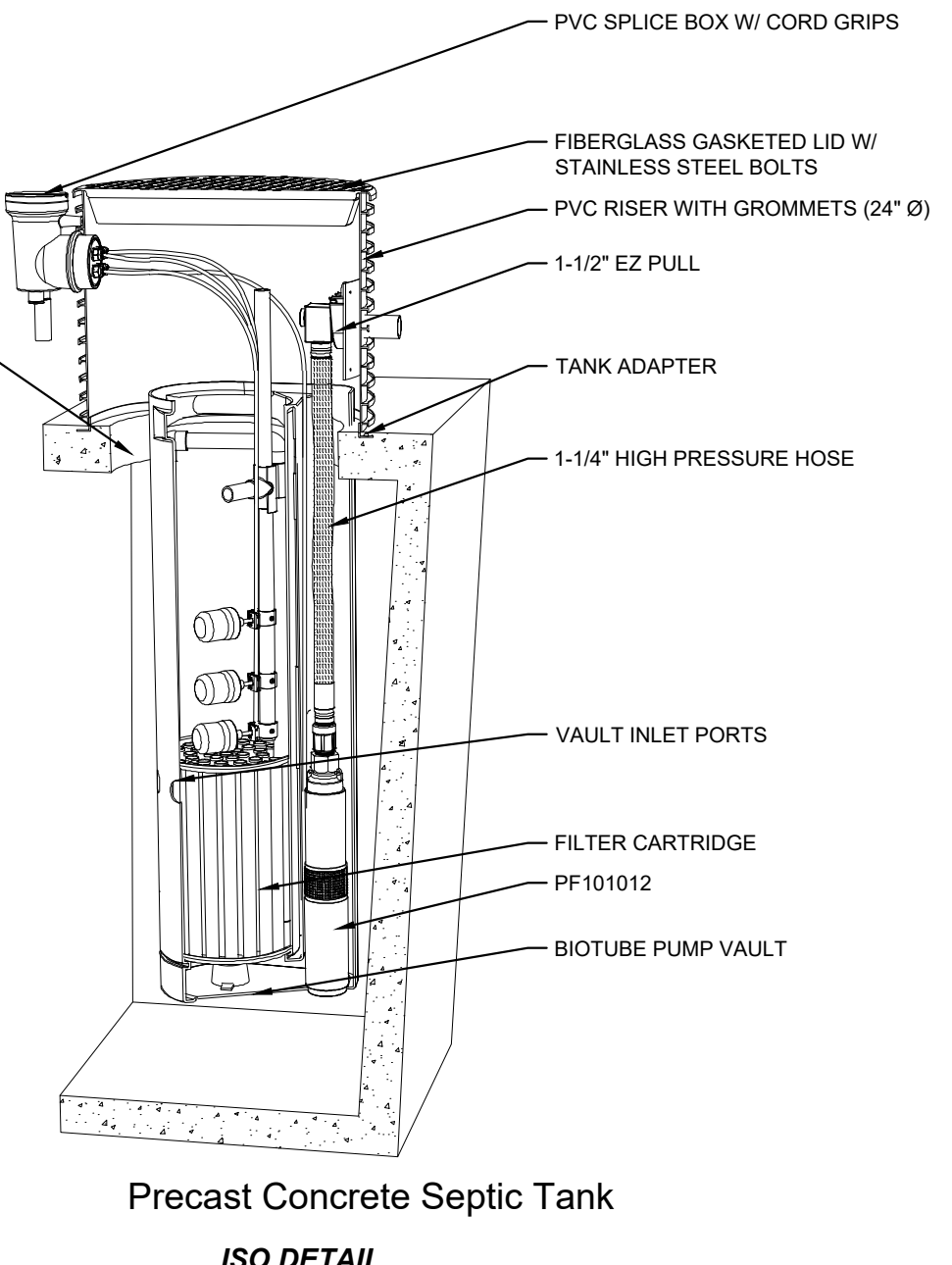
NOTES:
 1) PROPOSED STEP SYSTEM SHALL BE EQUIPPED WITH A "VERICOMM DAX RO" CONTROL PANEL OR APPROVED EQUAL. CONTACT MICHAEL CLAYTON (MCLAYTON@AQWA.NET, 252-292-1667) FOR STEP SYSTEM SPECIFICATIONS.

PUMP STATION GENERAL INFORMATION	
AVERAGE DAILY FLOW	4,400 GPD
TANK DIMENSIONS	20'x10'x7'-9" (INSIDE DIMENSIONS), 10,000 GAL MIN.
DISCHARGE PIPING	1.25" Ø SCH 80 PVC
HORSEPOWER	1 HP (NON-OVERLOADING OVER ENTIRE PUMP CURVE)
VOLTAGE/PHASE/CYCLES	240 V / 1 PHASE / 60 HZ
PUMP	ORENCO PF101012
PRIMARY LEVEL SENSING METHOD	FLOATS (3)

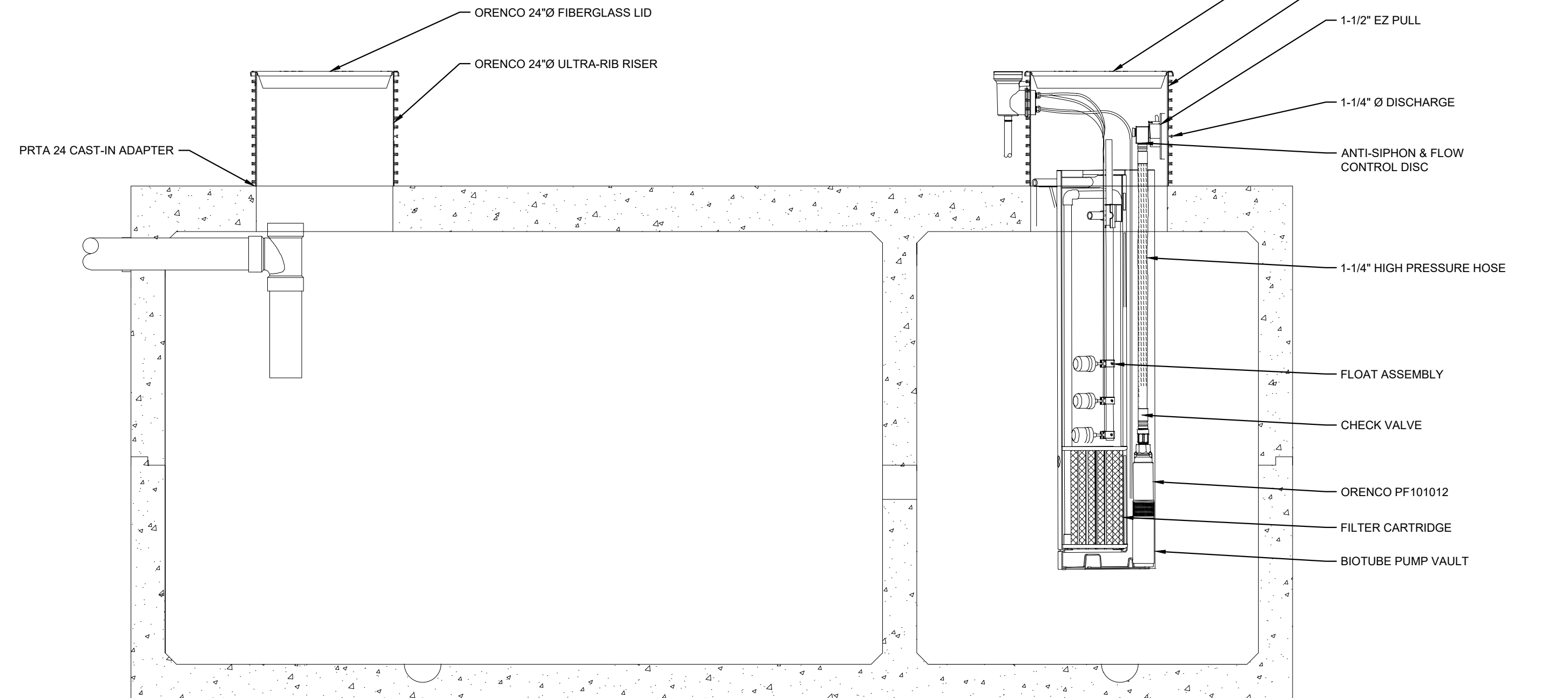


1 MECHANICAL PLAN VIEW

SCALE: NTS



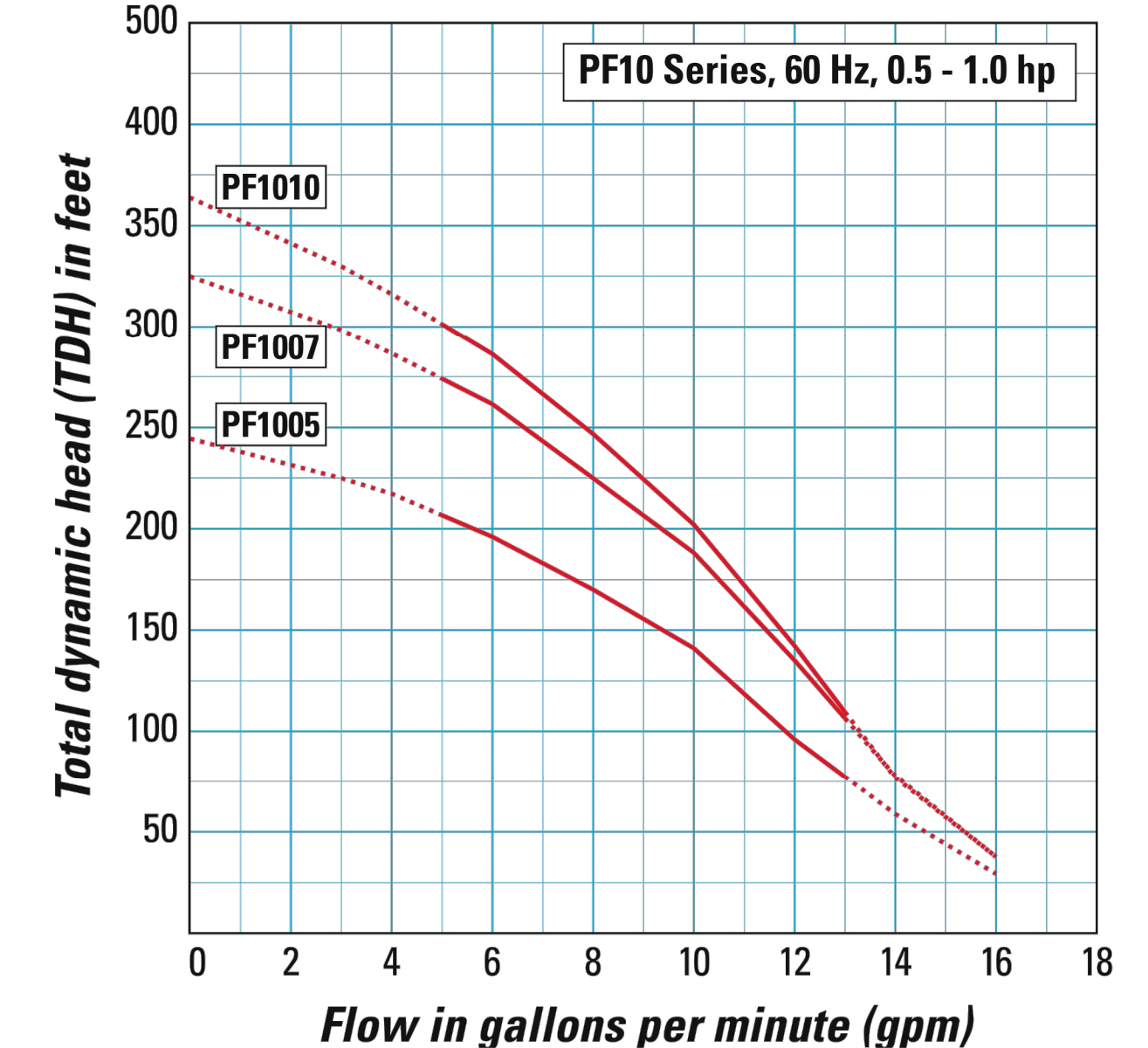
Precast Concrete Septic Tank
ISO DETAIL



A MECHANICAL SECTION VIEW

SCALE: NTS

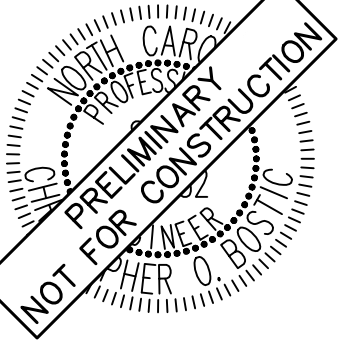
Pump Curves



SURVEY NOTE:
 EXISTING TOPOGRAPHICAL INFORMATION IS BASED ON A TOPOGRAPHIC SURVEY OBTAINED ON 02/23/2023 BY CMP PROFESSIONAL LAND SURVEYORS, 333 S. WHITE STREET, WAKE FOREST, NC, 27588. PHONE: (919) 556-3148. CONTRACTOR SHALL BE RESPONSIBLE FOR VERIFYING ALL EXISTING INFORMATION, DEPICTED OR NOT, PRIOR TO CONSTRUCTION AND REPORT POTENTIAL CONFLICTS TO OWNER AND ENGINEER.

NO.	REVISIONS	BY	DATE

Kimley»Horn
 © 2023 KIMLEY-HORN AND ASSOCIATES, INC.
 WWW.KIMLEY-HORN.COM PHONE: 919-677-2000 FAX: 919-677-2050
 421 FAYETTEVILLE STREET, SUITE 600, RALEIGH, NC 27601



KHA PROJECT	013031004
DATE	09/29/2023
SCALE	AS SHOWN
DESIGNED BY	JAA
DRAWN BY	JAA
CHECKED BY	COB

MECHANICAL PLAN

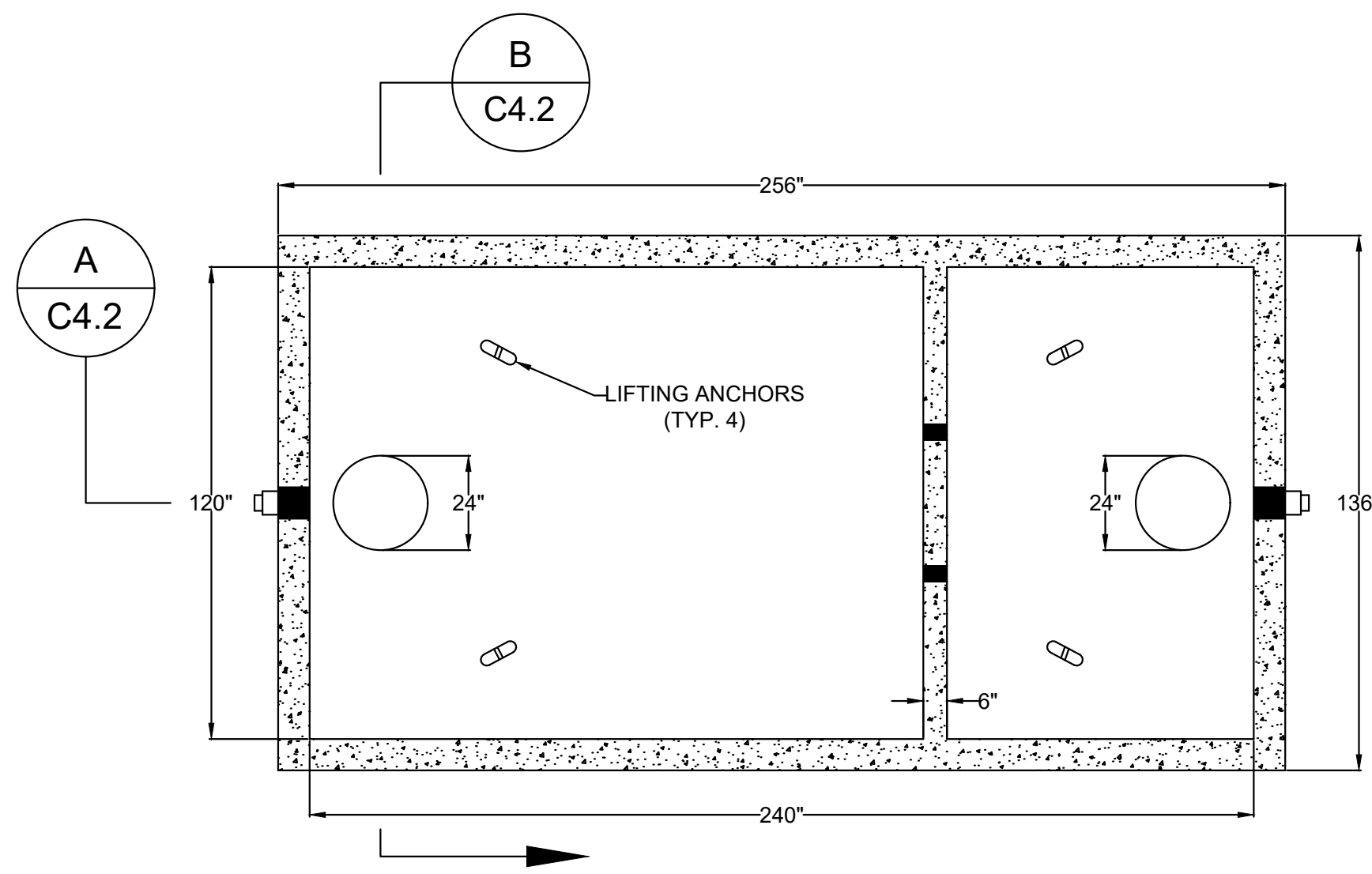
THE LEARNING CENTER ROLESVILLE
 PREPARED FOR
ROLESVILLE, LLC.
 TOWN OF ROLESVILLE NORTH CAROLINA

SHEET NUMBER
C4.1



SDP-23-07

Plotted By: Alexander, Jamal Sheet Set: THE LEARNING CENTER ROLESVILLE, January 02, 2024, 05:56:11pm - K:\RAL_LDEV\013031004_Rolesville_Leaning_Center\PI0_CAD\PlanSheets\C4.2 SEPTIC TANK DETAILS.dwg
 This document, together with the concepts and designs presented herein, is an instrument of service, is intended only for the specific purpose and client for which it was prepared. Reuse of and improper reliance on this document without written authorization and adaptation by Kimley-Horn and Associates, Inc. shall be without liability to Kimley-Horn and Associates, Inc.

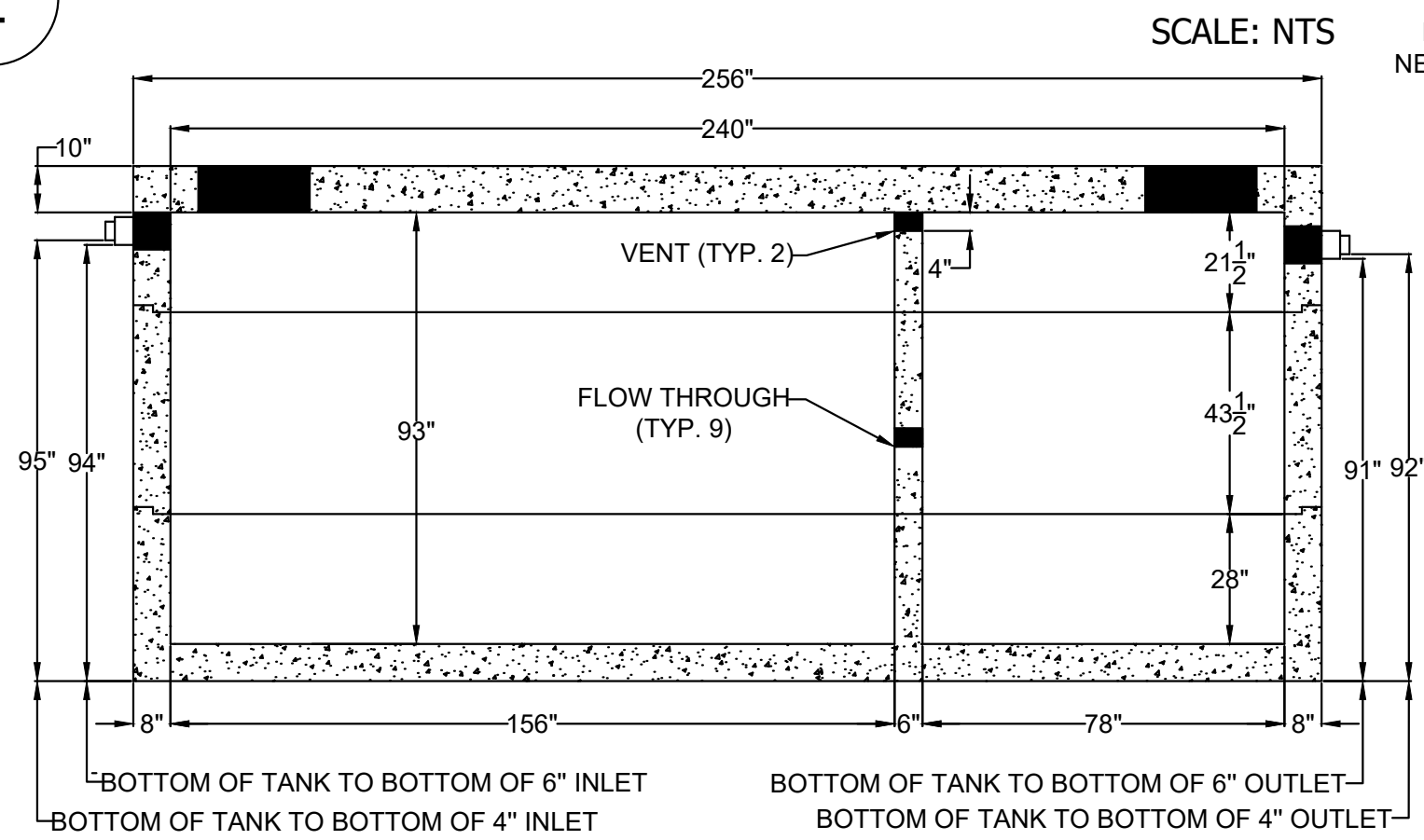


1 STRUCTURAL PLAN VIEW

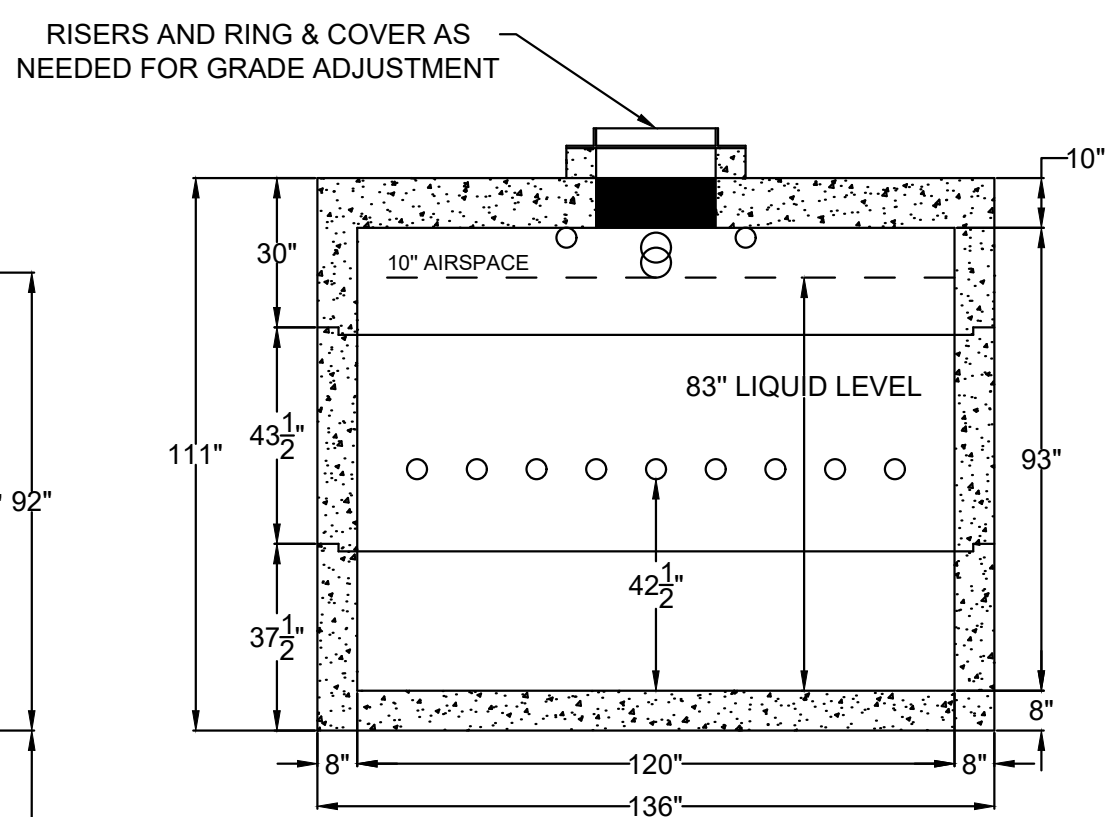
**SHOAF - 10,000 GAL. SEPTIC TANK
HS/20 TRAFFIC RATED**

SHOAF PRECAST INC.
 4130 W US HWY 64
 LEXINGTON, NC 27295
 PHONE (336) 787-5826
 FAX (336) 787-2826
 info@shoafprecast.com
 www.shoafprecast.com

- GAL. PER INCH - 121.56
- 2 TO 1 LENGTH TO WIDTH RATIO
- PIPE PENETRATION SEALS MEET ASTM C-923
- 1 1/4" BUTYL RUBBER SEALANT CONTINUOUS IN JOINTS
- REINFORCED PER ENGINEER SPECS
- CONCRETE - 5,000 PSI MIN.
- TANK WEIGHT - 106,000 #
- TOP - 40,000 #
- BOTTOM - 40,000 #
- RISER SECTION - 26,000 #



A STRUCTURAL SECTION VIEW
SCALE: NTS



B STRUCTURAL SECTION VIEW
SCALE: NTS

SURVEY NOTE:
 EXISTING TOPOGRAPHICAL INFORMATION IS BASED ON A TOPOGRAPHIC SURVEY OBTAINED ON 02/23/2023 BY CMP PROFESSIONAL LAND SURVEYORS, 333 S. WHITE STREET, WAKE FOREST, NC, 27588. PHONE: (919) 556-3148. CONTRACTOR SHALL BE RESPONSIBLE FOR VERIFYING ALL EXISTING INFORMATION, DEPICTED OR NOT, PRIOR TO CONSTRUCTION AND REPORT POTENTIAL CONFLICTS TO OWNER AND ENGINEER.



SDP-23-07

<p>THE LEARNING CENTER ROLESVILLE</p> <p style="font-size: small;">PREPARED FOR ROLESVILLE, LLC.</p> <p style="font-size: x-small;">TOWN OF ROLESVILLE NORTH CAROLINA</p>	<p>SEPTIC TANK DETAILS</p>																																	
<p>Kimley»Horn</p> <p style="font-size: x-small;"> © 2023 KIMLEY-HORN AND ASSOCIATES, INC. #F-0102 WWW.KIMLEY-HORN.COM PHONE: 919.677.2000 FAX: 919.677.2050 421 FAYETTEVILLE STREET, SUITE 600, RALEIGH, NC 27601 </p>	<p style="font-size: x-small;"> NORTH CAROLINA PRELIMINARY NOT FOR CONSTRUCTION </p>																																	
<p>KHA PROJECT: 013031004 DATE: 09/29/2023 SCALE: AS SHOWN DESIGNED BY: JAA DRAWN BY: JAA CHECKED BY: COE</p>	<p>REVISIONS</p> <table border="1" style="width: 100%; border-collapse: collapse;"> <thead> <tr> <th>No.</th> <th>DATE</th> <th>BY</th> </tr> </thead> <tbody> <tr><td> </td><td> </td><td> </td></tr> <tr><td> </td><td> </td><td> </td></tr> <tr><td> </td><td> </td><td> </td></tr> <tr><td> </td><td> </td><td> </td></tr> <tr><td> </td><td> </td><td> </td></tr> <tr><td> </td><td> </td><td> </td></tr> <tr><td> </td><td> </td><td> </td></tr> <tr><td> </td><td> </td><td> </td></tr> <tr><td> </td><td> </td><td> </td></tr> <tr><td> </td><td> </td><td> </td></tr> </tbody> </table>	No.	DATE	BY																														
No.	DATE	BY																																
<p>SHEET NUMBER C4.2</p>																																		

SELF MONITORING AND INSPECTION NOTIFICATION

THE SEDIMENTATION POLLUTION CONTROL ACT WAS AMENDED IN 2008 TO REQUIRE THAT PERSONS RESPONSIBLE FOR LAND-DISTURBING ACTIVITIES INSPECT A PROJECT AFTER EACH PHASE OF THE PROJECT TO MAKE SURE THAT THE APPROVED EROSION AND SEDIMENTATION CONTROL PLAN IS BEING FOLLOWED. RULES DETAILING THE DOCUMENTATION OF THESE INSPECTIONS BECAME EFFECTIVE OCTOBER 1, 2010. TO SIMPLIFY DOCUMENTATION OF SELF-INSPECTION REPORTS AND NPDES SELF-MONITORING REPORTS, A COMBINED FORM IS NOW AVAILABLE. THE NEW FORM WAS DEVELOPED TO SATISFY THE REQUIREMENTS OF THE SEDIMENTATION POLLUTION CONTROL ACT AND THE NPDES STORMWATER PERMIT FOR CONSTRUCTION ACTIVITIES, NC010006 BEGINNING AUGUST 1, 2013. THE DIVISION OF ENERGY, MINERAL AND LAND RESOURCES IS RESPONSIBLE FOR ADMINISTERING BOTH THE SPCA AND THE NPDES STORMWATER PERMIT FOR CONSTRUCTION ACTIVITIES, NC010006. THE COMBINED FORM SHOULD MAKE IT EASIER TO COMPLY WITH SELF-INSPECTION REQUIREMENTS. THE COMBINED SELF-MONITORING FORM IS AVAILABLE AS A PDF AND WORD DOCUMENT FROM THE LAND QUALITY WEB SITE, <http://portal.ncdenr.org/web/erosion>. IF YOU HAVE QUESTIONS, PLEASE CONTACT THE LAND QUALITY SECTION AT NCDEQ REGIONAL OFFICE.

MAINTENANCE NOTES:

DURING THE DEVELOPMENT OF A SITE, THE DEVELOPER SHALL INSTALL AND MAINTAIN ALL TEMPORARY AND PERMANENT STORMWATER CONTROL MEASURES AS REQUIRED BY THE APPROVED PLAN OR ANY PROVISION OF THIS ARTICLE. THE ACT OR ANY ORDER ADOPTED PURSUANT TO THIS ARTICLE OR THE ACT AFTER SITE DEVELOPMENT, THE DEVELOPER SHALL INSTALL AND/OR MAINTAIN ALL NECESSARY PERMANENT STORMWATER CONTROL MEASURES SPECIFIED IN THE APPROVED PLAN, EXCEPT THOSE MEASURES INSTALLED WITHIN A ROAD OR STREET RIGHT-OF-WAY OR EASEMENT ACCEPTED FOR MAINTENANCE BY A GOVERNMENTAL AGENCY. CONVEYANCE OF THE PROPERTY SHALL NOT TERMINATE THE ORIGINAL DEVELOPER'S OBLIGATIONS UNDER THIS ARTICLE UNTIL SUCH TIME AS A REPLACEMENT PERMIT IS APPROVED BY THE COUNTY ENGINEER, OR DESIGNEE. THE ORIGINAL DEVELOPER SHALL INCLUDE IN THE DEED CONVEYING THE PROPERTY NOTICE OF THE EXISTENCE OF THE STORMWATER CONTROL MEASURES AND THE PURCHASER'S OBLIGATIONS TO MAINTAIN AND INSPECT THEM AND TO OBTAIN A PERMIT AND OTHERWISE COMPLY WITH THE TERMS OF THIS ARTICLE. REFER TO THE EROSION CONTROL DETAILS SHEET FOR ADDITIONAL MAINTENANCE NOTES. THE FOLLOWING ITEMS WILL BE CHECKED IN PARTICULAR:

- CONSTRUCTION ENTRANCE:**
INSPECT CONSTRUCTION ROADS AND PARKING AREAS PERIODICALLY FOR CONDITION OF SURFACE. TOP DRESS WITH NEW GRAVEL AS NEEDED. CHECK ROAD DITCHES AND OTHER SEEDED AREAS FOR EROSION AND SEDIMENTATION AFTER RUNOFF-PRODUCING RAINS. MAINTAIN ALL VEGETATION IN A HEALTHY, VIGOROUS CONDITION. SEDIMENT PRODUCING AREAS SHOULD BE TREATED IMMEDIATELY.
- SILT FENCE:**
INSPECT SEDIMENT FENCES AT LEAST ONCE A WEEK AND AFTER EACH RAINFALL. MAKE ANY REQUIRED REPAIRS IMMEDIATELY. SHOULD THE FABRIC OF A SEDIMENT FENCE COLLAPSE, TEAR, DECOMPOSE, OR BECOME INEFFECTIVE, REPLACE IT IMMEDIATELY. REMOVE SEDIMENT DEPOSITS AS NECESSARY TO PROVIDE ADEQUATE STORAGE VOLUME FOR THE NEXT RAIN AND TO REDUCE PRESSURE ON THE FENCE. TAKE CARE TO AVOID UNDERMINING THE FENCE DURING CLEANOUT. REMOVE ALL FENCING MATERIALS AND UNSTABLE SEDIMENT DEPOSITS AND BRING THE AREA TO GRADE AND STABILIZE IT AFTER THE CONTRIBUTING DRAINAGE AREA HAS BEEN PROPERLY STABILIZED.
- SILT FENCE GRAVEL OUTLET:**
INSPECT SEDIMENT FENCE GRAVEL OUTLETS AT LEAST ONCE A WEEK AND AFTER EACH RAINFALL. MAKE ANY REQUIRED REPAIRS IMMEDIATELY. REMOVE SEDIMENT DEPOSITS AS NECESSARY TO PROVIDE ADEQUATE STORAGE VOLUME FOR THE NEXT RAIN. ANY RIP RAP DISPLACED MUST BE REPLACED IMMEDIATELY.
- BLOCK AND GRAVEL INLET PROTECTION:**
INSPECT THE BARRIER OF AFTER EACH RAIN AND MAKE REPAIRS AS NEEDED. REMOVE SEDIMENT AS NECESSARY TO PROVIDE ADEQUATE STORAGE VOLUME FOR SUBSEQUENT RAINS. WHEN THE CONTRIBUTING DRAINAGE AREA HAS BEEN ADEQUATELY STABILIZED, REMOVE ALL MATERIALS AND ANY UNSTABLE SOIL, AND EITHER SALVAGE OR DISPOSE OF IT PROPERLY. BRING THE DISTURBED AREA TO PROPER GRADE, THEN SMOOTH AND COMPACT IT. APPROPRIATELY STABILIZE ALL BARE AREAS AROUND THE INLET.

NPDES GROUND COVER REQUIREMENTS

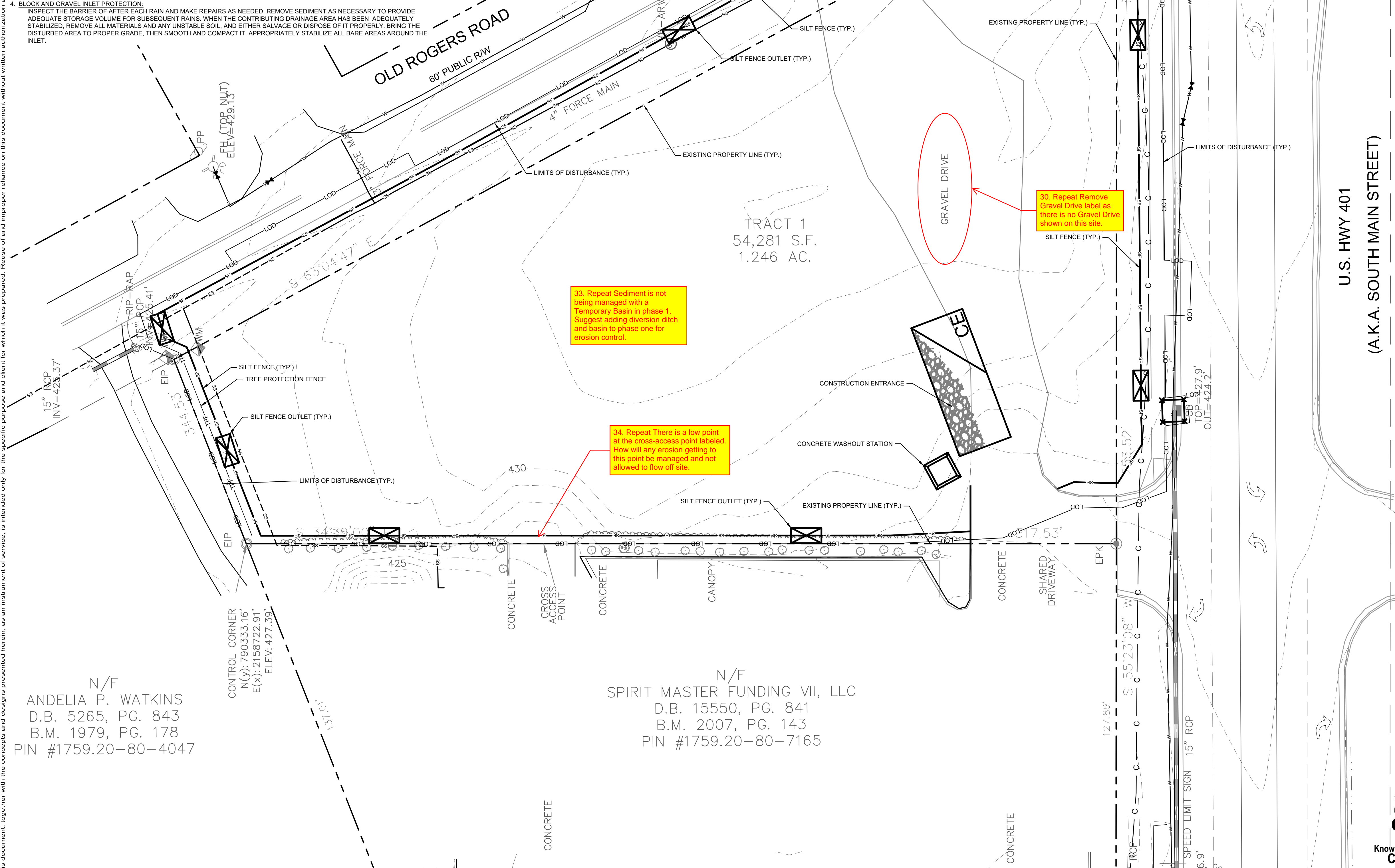
SITE AREA DESCRIPTION	STABILIZATION	TIME FRAME EXCEPTIONS
PERIMETER DIKES, SWALES, DITCHES, SLOPES	7 DAYS	NONE
HIGH QUALITY WATER (HQW) ZONES	7 DAYS	NONE
SLOPES STEEPER THAN 3:1	7 DAYS	IF SLOPES ARE 10' OR LESS IN LENGTH AND ARE NOT STEEPER THAN 2:1, 14 DAYS ARE ALLOWED.
SLOPES 3:1 OR FLATTER	14 DAYS	7 DAYS FOR SLOPES GREATER THAN 50' IN LENGTH
ALL OTHER AREAS WITH SLOPES FLATTER THAN 4:1	14 DAYS	NONE EXCEPT FOR PERIMETERS AND HQW ZONES.

SILT FENCES SHOWN ON PLANS ARE FOR REPRESENTATIVE PURPOSES, CONSTRUCT DIRECTLY ALONG THE CLEARING LIMITS WHERE APPLICABLE.

SILT FENCE OUTLETS ARE TO BE PROVIDED ALONG ALL LOW POINTS OF SILT FENCE AND AREAS WHERE RUNOFF MAY CONCENTRATE CAUSING DAMAGE TO SILT FENCE. CONTRACTOR TO INSTALL OUTLETS AS NECESSARY TO ENSURE SILT FENCE IS FULLY FUNCTIONAL THROUGHOUT THE DURATION OF CONSTRUCTION.

REFER TO GENERAL NOTES SHEET C0.1 FOR EROSION CONTROL, SEEDBED PREPARATION, AND SEEDING SCHEDULE NOTES FOR BOTH PHASES.

DISTURBED AREA: 1.53 AC



EROSION CONTROL LEGEND

---	PROPERTY LINE
- - - -	TEMPORARY CONSTRUCTION EASEMENT
---	LIMITS OF DISTURBANCE
- - - -	SILT FENCE
- - - -	TREE PROTECTION FENCE
- - - -	COMBINATION TREE PROTECTION / SILT FENCE
→ TD → TD	TEMPORARY DIVERSION DITCH
→ TD(CW) →	CLEAN WATER DIVERSION DITCH
→ X →	SEDIMENT BASIN POROUS Baffles
→ →	PUMP DISCHARGE HOSE
---	EXISTING CONTOUR
---	PROPOSED CONTOUR
---	DRAINAGE AREA BOUNDARY
---	CONSTRUCTION ENTRANCE
---	SILT FENCE OUTLET
---	CONCRETE WASHOUT STATION
---	ROCK CHECK DAM
---	INLET PROTECTION
---	ROCK PIPE INLET PROTECTION
---	SKIMMER
---	TEMPORARY SLOPE DRAIN
---	RIP-RAP OUTLET PROTECTION
---	SILT BAG
---	DESIGNATED AREAS TO BE STABILIZED WITHIN 7 DAYS
---	TEMPORARY EROSION CONTROL MATTING

- PHASE 1 CONSTRUCTION SEQUENCE:**
- THE FOLLOWING PHASE 1 CONSTRUCTION SEQUENCE IS FURNISHED AS A GENERAL GUIDE FOR PREPARATION OF A SEQUENCE OF CONSTRUCTION EVENTS.
 - SCHEDULE AN ON-SITE PRE-CONSTRUCTION CONFERENCE WITH WAKE COUNTY ENVIRONMENTAL CONSULTANT TO DISCUSS EROSION CONTROL MEASURES.
 - OBTAIN LAND-DISTURBING PERMIT FROM WAKE COUNTY.
 - INSTALL TEMPORARY CONSTRUCTION ENTRANCE, SILT FENCE, INLET PROTECTION, TREE PROTECTION, AND OTHER MEASURES AS SHOWN ON PLANS, CLEARING ONLY AS NECESSARY TO INSTALL THESE DEVICES (SEE LOD FOR INITIAL CLEARING LIMITS). SEED, MAT, MULCH, AND ANCHOR DIVERSION DITCHES AND BASIN IMMEDIATELY AFTER CONSTRUCTION AS APPROPRIATE.
 - CALL FOR ON-SITE INSPECTION BY WAKE COUNTY ENVIRONMENTAL CONSULTANT ONCE ALL EROSION CONTROL MEASURES ARE INSTALLED. OBTAIN CERTIFICATE OF COMPLIANCE FROM WAKE COUNTY.
 - ONCE CERTIFICATE OF COMPLIANCE HAS BEEN OBTAINED, APPLY FOR NCDEQ #NOI ON NCDEQ WEBSITE.
 - UPON APPROVAL, CLEARING AND DEMOLITION MAY BEGIN. MAINTAIN ALL EROSION CONTROL MEASURES AS NECESSARY. EROSION CONTROL MEASURES SHALL BE RESTORED TO ORIGINAL DIMENSIONS WHEN SEDIMENT ACCUMULATES TO 50% OF DESIGN DEPTH.
 - INSPECT AND REPAIR EROSION CONTROL MEASURES AFTER EVERY RAINFALL EVENT OF 1/2" OR GREATER OR EVERY SEVEN (7) CALENDAR DAYS.
 - FOR PHASED EROSION CONTROL PLANS, CONTRACTOR SHALL MEET WITH EROSION CONTROL INSPECTOR PRIOR TO COMMENCING EACH PHASE OF EROSION CONTROL MEASURES. SEED AND MULCH DENuded AREA WITHIN 15 CALENDAR DAYS AFTER ANY PHASE OF GRADING. MAINTAIN SOIL EROSION CONTROL MEASURES UNTIL PERMANENT GROUND COVER IS ESTABLISHED.
 - ALL EROSION CONTROL MEASURES SHALL BE CONSTRUCTED IN ACCORDANCE WITH THE NCDEQ EROSION AND SEDIMENT CONTROL PLANNING AND DESIGN MANUAL, U.S. DEPARTMENT OF AGRICULTURE, AND WAKE COUNTY EROSION CONTROL ORDINANCE.
 - REFER TO SHEET C0.1 - GENERAL NOTES FOR GENERAL EROSION CONTROL NOTES AND MAINTENANCE.

SURVEY NOTE:
EXISTING TOPOGRAPHICAL INFORMATION IS BASED ON A TOPOGRAPHIC SURVEY OBTAINED ON 02/23/2023 BY CMP PROFESSIONAL LAND SURVEYORS, 333 S. WHITE STREET, WAKE FOREST, NC, 27888. PHONE: (919) 556-3148. CONTRACTOR SHALL BE RESPONSIBLE FOR VERIFYING ALL EXISTING INFORMATION DEPICTED OR NOT, PRIOR TO CONSTRUCTION AND REPORT POTENTIAL CONFLICTS TO OWNER AND ENGINEER.

N/F
ANDELIA P. WATKINS
D.B. 5265, PG. 843
B.M. 1979, PG. 178
PIN #1759.20-80-4047

N/F
SPIRIT MASTER FUNDING VII, LLC
D.B. 15550, PG. 841
B.M. 2007, PG. 143
PIN #1759.20-80-7165



SDP-23-07

<p>© 2023 KIMLEY-HORN AND ASSOCIATES, INC. 421 FAYETTEVILLE STREET, SUITE 800, RALEIGH, NC 27601</p>		<p>DATE</p>																
<p>REVISIONS</p> <table border="1"> <tr> <th>No.</th> <th>Description</th> </tr> <tr> <td>1</td> <td></td> </tr> <tr> <td>2</td> <td></td> </tr> <tr> <td>3</td> <td></td> </tr> <tr> <td>4</td> <td></td> </tr> <tr> <td>5</td> <td></td> </tr> <tr> <td>6</td> <td></td> </tr> <tr> <td>7</td> <td></td> </tr> </table>		No.	Description	1		2		3		4		5		6		7		<p>DATE</p>
No.	Description																	
1																		
2																		
3																		
4																		
5																		
6																		
7																		
<p>THE LEARNING CENTER ROLESVILLE PREPARED FOR ROLESVILLE, LLC. TOWN OF ROLESVILLE NORTH CAROLINA</p>		<p>SHEET NUMBER C5.0</p>																

SELF MONITORING AND INSPECTION NOTIFICATION

THE SEDIMENTATION POLLUTION CONTROL ACT WAS AMENDED IN 2006 TO REQUIRE THAT PERSONS RESPONSIBLE FOR LAND-DISTURBING ACTIVITIES INSPECT A PROJECT AT EACH PHASE OF THE PROJECT TO MAKE SURE THAT THE DOCUMENTATION OF APPROVED EROSION AND SEDIMENTATION CONTROL PLAN IS BEING FOLLOWED. RULES DETAILING THE DOCUMENTATION OF THESE INSPECTIONS BECAME EFFECTIVE OCTOBER 1, 2010. TO SIMPLIFY DOCUMENTATION OF SELF-INSPECTION REPORTS AND NPDES SELF-MONITORING REPORTS, A COMBINED FORM IS NOW AVAILABLE. THE NEW FORM WAS DEVELOPED TO SATISFY THE REQUIREMENTS OF THE SEDIMENTATION POLLUTION CONTROL ACT AND THE NPDES STORMWATER PERMIT FOR CONSTRUCTION ACTIVITIES, NCG 0100.00, BEGINNING AUGUST 1, 2013. THE DIVISION OF ENERGY, MINERAL, AND LAND RESOURCES IS RESPONSIBLE FOR ADMINISTERING BOTH THE SPCA AND THE NPDES STORMWATER PERMIT FOR CONSTRUCTION ACTIVITIES. NCG 0100.00. THE COMBINED FORM SHOULD MAKE IT EASIER TO COMPLY WITH SELF-INSPECTION REQUIREMENTS. THE COMBINED SELF-MONITORING FORM IS AVAILABLE AS A PDF AND WORD DOCUMENT FROM THE LAND QUALITY WEB SITE, [HTTP://PORTAL.NC DENR.ORG/WEB/LOR/EROSION](http://portal.ncdenr.org/web/lor/erosion) IF YOU HAVE QUESTIONS, PLEASE CONTACT THE LAND QUALITY SECTION AT NCDEQ REGIONAL OFFICE.

MAINTENANCE NOTES:

DURING THE DEVELOPMENT OF A SITE, THE DEVELOPER SHALL INSTALL AND MAINTAIN ALL TEMPORARY AND PERMANENT STORMWATER CONTROL MEASURES AS REQUIRED BY THE APPROVED PLAN OR ANY PROVISION OF THIS ARTICLE. THE ACT OR ANY ORDER ADOPTED PURSUANT TO THIS ARTICLE OR THE ACT, AFTER SITE DEVELOPMENT, THE DEVELOPER SHALL INSTALL AND/OR MAINTAIN ALL NECESSARY PERMANENT STORMWATER CONTROL MEASURES SPECIFIED IN THE APPROVED PLAN, EXCEPT THOSE MEASURES INSTALLED WITHIN A ROAD OR STREET RIGHT-OF-WAY OR EASEMENT ACCEPTED FOR MAINTENANCE BY A GOVERNMENTAL AGENCY. CONVEYANCE OF THE PROPERTY SHALL NOT TERMINATE THE ORIGINAL DEVELOPER'S OBLIGATIONS UNDER THIS ARTICLE UNTIL SUCH TIME AS A REPLACEMENT PERMIT IS APPROVED BY THE COUNTY ENGINEER, OR DESIGNEE. THE ORIGINAL DEVELOPER SHALL INCLUDE IN THE DEED CONVEYING THE PROPERTY NOTICE OF THE EXISTENCE OF THE STORMWATER CONTROL MEASURES AND THE PURCHASER'S OBLIGATIONS TO MAINTAIN AND INSPECT THEM AND TO OBTAIN A PERMIT AND OTHERWISE COMPLY WITH THE TERMS OF THIS ARTICLE. REFER TO THE EROSION CONTROL DETAILS SHEET FOR ADDITIONAL MAINTENANCE NOTES. THE FOLLOWING ITEMS WILL BE CHECKED IN PARTICULAR:

- CONSTRUCTION ENTRANCE:**
INSPECT CONSTRUCTION ROADS AND PARKING AREAS PERIODICALLY FOR CONDITION OF SURFACE. TOP DRESS WITH NEW GRAVEL AS NEEDED. CHECK ROAD DITCHES AND OTHER SEEDED AREAS FOR EROSION AND SEDIMENTATION AFTER RUNOFF-PRODUCING RAINS. MAINTAIN ALL VEGETATION IN A HEALTHY, VIGOROUS CONDITION. SEDIMENT PRODUCING AREAS SHOULD BE TREATED IMMEDIATELY.
- SILT FENCE:**
INSPECT SEDIMENT FENCES AT LEAST ONCE A WEEK AND AFTER EACH RAINFALL. MAKE ANY REQUIRED REPAIRS IMMEDIATELY. SHOULD THE FABRIC OF A SEDIMENT FENCE COLLAPSE, TEAR, DECOMPOSE, OR BECOME INEFFECTIVE, REPLACE IT IMMEDIATELY. REMOVE SEDIMENT DEPOSITS AS NECESSARY TO PROVIDE ADEQUATE STORAGE VOLUME FOR THE NEXT RAIN AND TO REDUCE PRESSURE ON THE FENCE. TAKE CARE TO AVOID UNDERMINING THE FENCE DURING CLEANOUT. REMOVE ALL FENCING MATERIALS AND UNSTABLE SEDIMENT DEPOSITS AND BRING THE AREA TO GRADE AND STABILIZE IT AFTER THE CONTRIBUTING DRAINAGE AREA HAS BEEN PROPERLY STABILIZED.
- SILT FENCE GRAVEL OUTLET:**
INSPECT SEDIMENT FENCE GRAVEL OUTLETS AT LEAST ONCE A WEEK AND AFTER EACH RAINFALL. MAKE ANY REQUIRED REPAIRS IMMEDIATELY. REMOVE SEDIMENT DEPOSITS AS NECESSARY TO PROVIDE ADEQUATE STORAGE VOLUME FOR THE NEXT RAIN. ANY RIP RAP DISPLACED MUST BE REPLACED IMMEDIATELY.
- BLOCK AND GRAVEL INLET PROTECTION:**
INSPECT THE BARRIER OF AFTER EACH RAIN AND MAKE REPAIRS AS NEEDED. REMOVE SEDIMENT AS NECESSARY TO PROVIDE ADEQUATE STORAGE VOLUME FOR SUBSEQUENT RAINS. WHEN THE CONTRIBUTING DRAINAGE AREA HAS BEEN ADEQUATELY STABILIZED, REMOVE ALL MATERIALS AND ANY UNSTABLE SOIL, AND EITHER SALVAGE OR DISPOSE OF IT PROPERLY. BRING THE DISTURBED AREA TO PROPER GRADE, THEN SMOOTH AND COMPACT IT. APPROPRIATELY STABILIZE ALL BARE AREAS AROUND THE INLET.

NPDES GROUND COVER REQUIREMENTS

SITE AREA DESCRIPTION	STABILIZATION	TIME FRAME EXCEPTIONS
PERIMETER DIKES, SWALES, DITCHES, SLOPES	7 DAYS	NONE
HIGH QUALITY WATER (HQW) ZONES	7 DAYS	NONE
SLOPES STEEPER THAN 3:1	7 DAYS	IF SLOPES ARE 10' OR LESS IN LENGTH AND ARE NOT STEEPER THAN 2:1, 14 DAYS ARE ALLOWED.
SLOPES 3:1 OR FLATTER	14 DAYS	7 DAYS FOR SLOPES GREATER THAN 50' IN LENGTH
ALL OTHER AREAS WITH SLOPES FLATTER THAN 4:1	14 DAYS	NONE EXCEPT FOR PERIMETERS AND HQW ZONES.

SILT FENCES SHOWN ON PLANS ARE FOR REPRESENTATIVE PURPOSES. CONSTRUCT DIRECTLY ALONG THE CLEARING LIMITS WHERE APPLICABLE.

SILT FENCE OUTLETS ARE TO BE PROVIDED ALONG ALL LOW POINTS OF SILT FENCE AND AREAS WHERE RUNOFF MAY CONCENTRATE CAUSING DAMAGE TO SILT FENCE. CONTRACTOR TO INSTALL OUTLETS AS NECESSARY TO ENSURE SILT FENCE IS FULLY FUNCTIONAL THROUGHOUT THE DURATION OF CONSTRUCTION.

REFER TO GENERAL NOTES SHEET C0.1 FOR EROSION CONTROL, SEEDING PREPARATION, AND SEEDING SCHEDULE NOTES FOR BOTH PHASES.

DISTURBED AREA: 1.53 AC

EROSION CONTROL LEGEND

- PROPERTY LINE
- TCE- TEMPORARY CONSTRUCTION EASEMENT
- LOD- LIMITS OF DISTURBANCE
- SF- SILT FENCE
- TPF- TREE PROTECTION FENCE
- SF/TPF- COMBINATION TREE PROTECTION/SILT FENCE
- > TD -> TD- TEMPORARY DIVERSION DITCH
- > TD(CW) -> TD(CW)- CLEAN WATER DIVERSION DITCH
- X- SEDIMENT BASIN POROUS Baffles
- > PUMP DISCHARGE HOSE
- 805- EXISTING CONTOUR
- 805- PROPOSED CONTOUR
- > DRAINAGE AREA BOUNDARY
- CE- CONSTRUCTION ENTRANCE
- > SILT FENCE OUTLET
- > CONCRETE WASHOUT STATION
- > ROCK CHECK DAM
- > INLET PROTECTION
- > ROCK PIPE INLET PROTECTION
- > SKIMMER
- > TEMPORARY SLOPE DRAIN
- > RIP-RAP OUTLET PROTECTION
- > SILT BAG
- > DESIGNATED AREAS TO BE STABILIZED WITHIN 7 DAYS
- > TEMPORARY EROSION CONTROL MATTING

PHASE 2 CONSTRUCTION SEQUENCE:

- THE FOLLOWING PHASE 2 CONSTRUCTION SEQUENCE IS FURNISHED AS A GENERAL GUIDE FOR PREPARATION OF A SEQUENCE OF CONSTRUCTION EVENTS.
- MAINTAIN CONSTRUCTION ENTRANCE AND SILT FENCE.
- CALL FOR ON-SITE INSPECTION BY INSPECTOR ONCE ALL PHASE 2 EROSION CONTROL MEASURES ARE INSTALLED. OBTAIN CERTIFICATE OF COMPLIANCE FROM WAKE COUNTY.
- CONTRACTOR IS TO CUT AND/OR FILL AREAS TO BRING THE SITE TO THE PROPOSED GRADES SHOWN ON THE GRADING AND DRAINAGE PLANS. GRADING ACTIVITY SHALL BE LIMITED TO WITHIN THE CLEARING LIMITS. MAINTAIN ALL EROSION CONTROL MEASURES AS NECESSARY.
- PROVIDE GROUND COVER ON SLOPES GREATER THAN 3:1 WITHIN 7 DAYS FOLLOWING COMPLETION OF ANY PHASE OF GRADING. PROVIDE GROUND COVER TO ALL OTHER AREAS WITHIN 14 DAYS FOLLOWING COMPLETION OF ANY PHASE OF GRADING OR INACTIVITY.
- INSTALL STORM DRAINAGE AND PROTECT INLETS WITH BLOCK AND GRAVEL INLET CONTROLS, SEDIMENT TRAPS, OR OTHER APPROVED MEASURES AS SHOWN ON THE PLAN.
- STABILIZE SITE AS AREAS ARE BROUGHT UP TO FINISH GRADE WITH VEGETATION, PAVING, DITCH LININGS, ETC. SEED AND MULCH DENUDE AREAS PER GROUND STABILIZATION TIME FRAMES.
- INSPECT AND REPAIR EROSION CONTROL MEASURES AFTER EVERY RAINFALL EVENT OF 1/2" OR GREATER OR EVERY SEVEN (7) CALENDAR DAYS.
- ALL EROSION CONTROL MEASURES SHALL BE CONSTRUCTED IN ACCORDANCE WITH THE NC DENR EROSION AND SEDIMENT CONTROL PLANNING AND DESIGN MANUAL, U.S. DEPARTMENT OF AGRICULTURE, AND WAKE COUNTY EROSION CONTROL ORDINANCE.
- REFER TO SHEET C0.1 - GENERAL NOTES FOR GENERAL EROSION CONTROL NOTES AND MAINTENANCE.
- ALL EROSION CONTROL MEASURES TO REMAIN IN PLACE UNTIL +/- 80% STABILIZATION IS ACHIEVED.
- ONCE CONSTRUCTION IS COMPLETE AND ENTIRE SITE IS STABILIZED, CALL FOR FINAL INSPECTION BY WAKE COUNTY ENVIRONMENTAL CONSULTANT. IF APPROVED, REMOVE REMAINING EROSION CONTROL MEASURES. ALL REMAINING PERMANENT EROSION CONTROL DEVICES SHOULD NOW BE INSTALLED.
- WHEN VEGETATION HAS BECOME ESTABLISHED, CALL FOR A FINAL INSPECTION BY WAKE COUNTY ENVIRONMENTAL CONSULTANT. OBTAIN A CERTIFICATE OF COMPLETION.

SURVEY NOTE:
EXISTING TOPOGRAPHICAL INFORMATION IS BASED ON A TOPOGRAPHIC SURVEY OBTAINED ON 02/23/2023 BY CMP PROFESSIONAL LAND SURVEYORS, 333 S. WHITE STREET, WAKE FOREST, NC, 27888. PHONE: (919) 556-3148. CONTRACTOR SHALL BE RESPONSIBLE FOR VERIFYING ALL EXISTING INFORMATION, DEPICTED AND REPORT POTENTIAL CONFLICTS TO OWNER AND ENGINEER.

PLOTTED BY: Alexander, Jamal Sheet Set: THE LEARNING CENTER ROLESVILLE, LAYOUT: C5.1 EROSION CONTROL PLAN - PHASE 2, January 02, 2024, 05:58:41pm, K:\RAL...LDE\013031004...Rolesville...Learning...Center\PI10_CAD\Files\PlanSheets\C-502 EROSION CONTROL PLAN.dwg
 This document, together with the concepts and designs presented herein, is an instrument of service, as intended only for the specific purpose and client for which it was prepared. Reuse of and improper reliance on this document without written authorization and adaptation by Kimley-Horn and Associates, Inc. shall be without liability to Kimley-Horn and Associates, Inc.

N/F
ANDELIA P. WATKINS
D.B. 5265, PG. 843
B.M. 1979, PG. 178
PIN #1759.20-80-4047

N/F
SPIRIT MASTER FUNDING VII, LLC
D.B. 15550, PG. 841
B.M. 2007, PG. 143
PIN #1759.20-80-7165



SDP-23-07

THE LEARNING CENTER ROLESVILLE
EROSION CONTROL PLAN - PHASE 2
PREPARED FOR ROLESVILLE, LLC.
TOWN OF ROLESVILLE NORTH CAROLINA

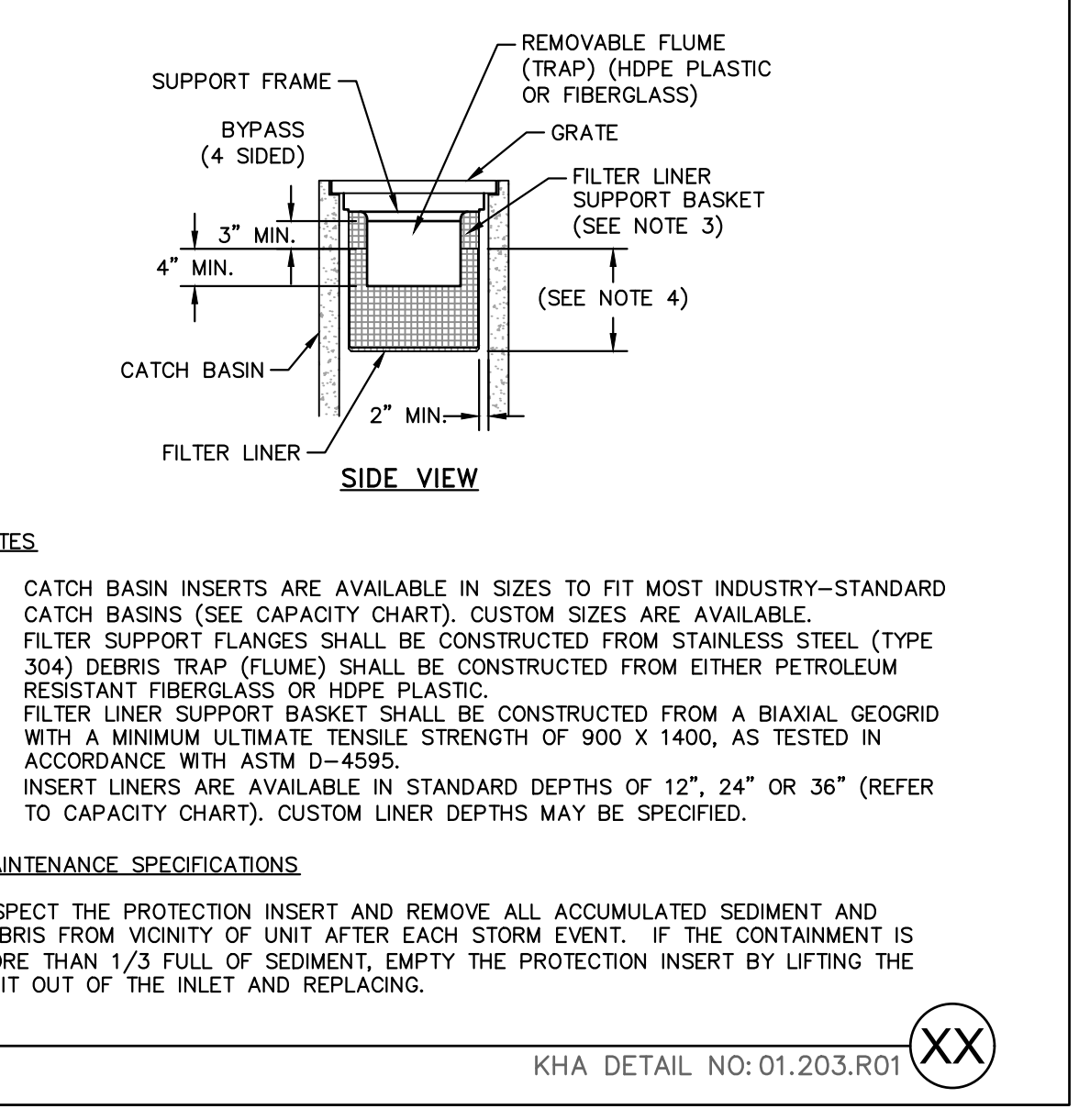
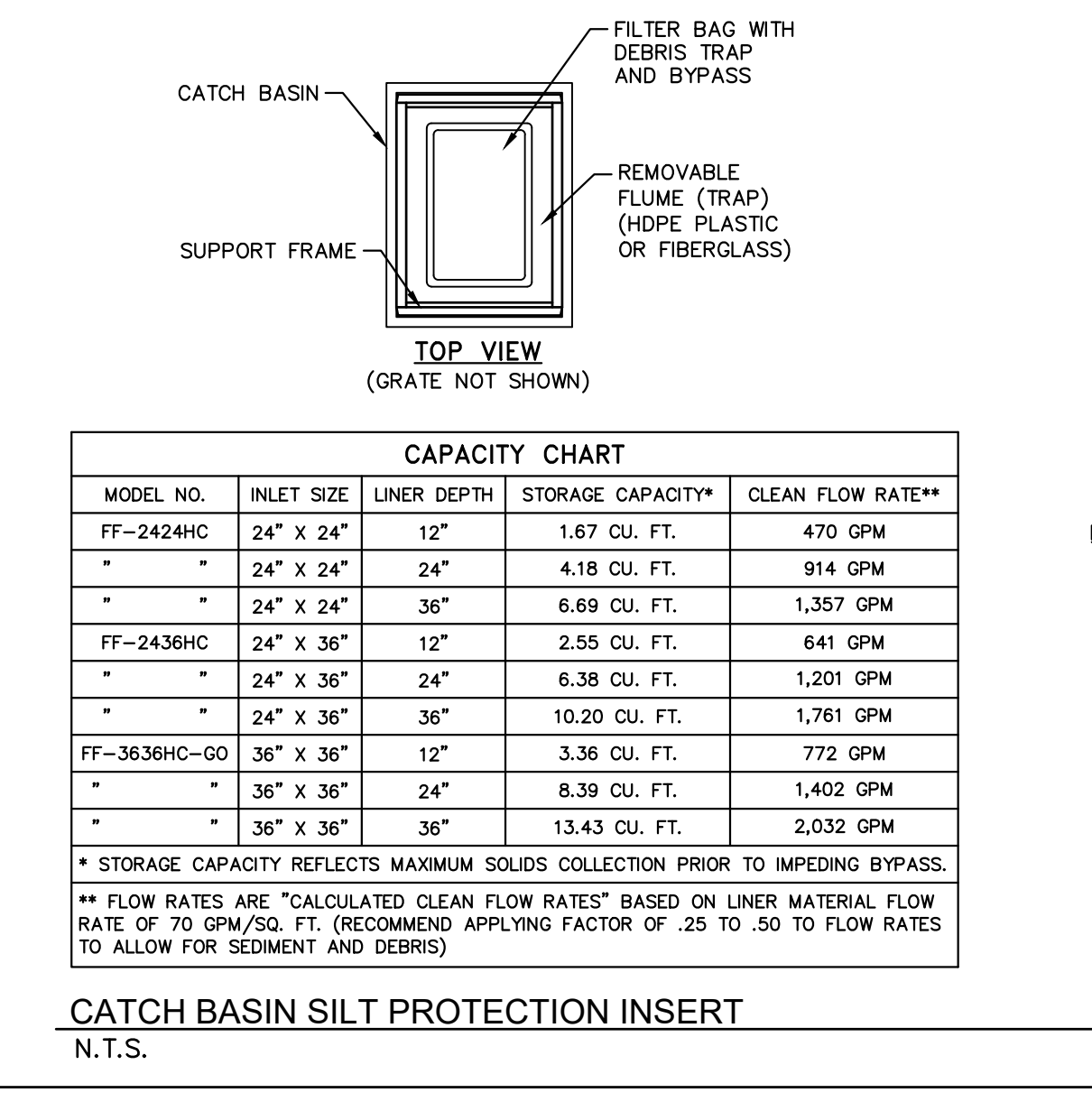
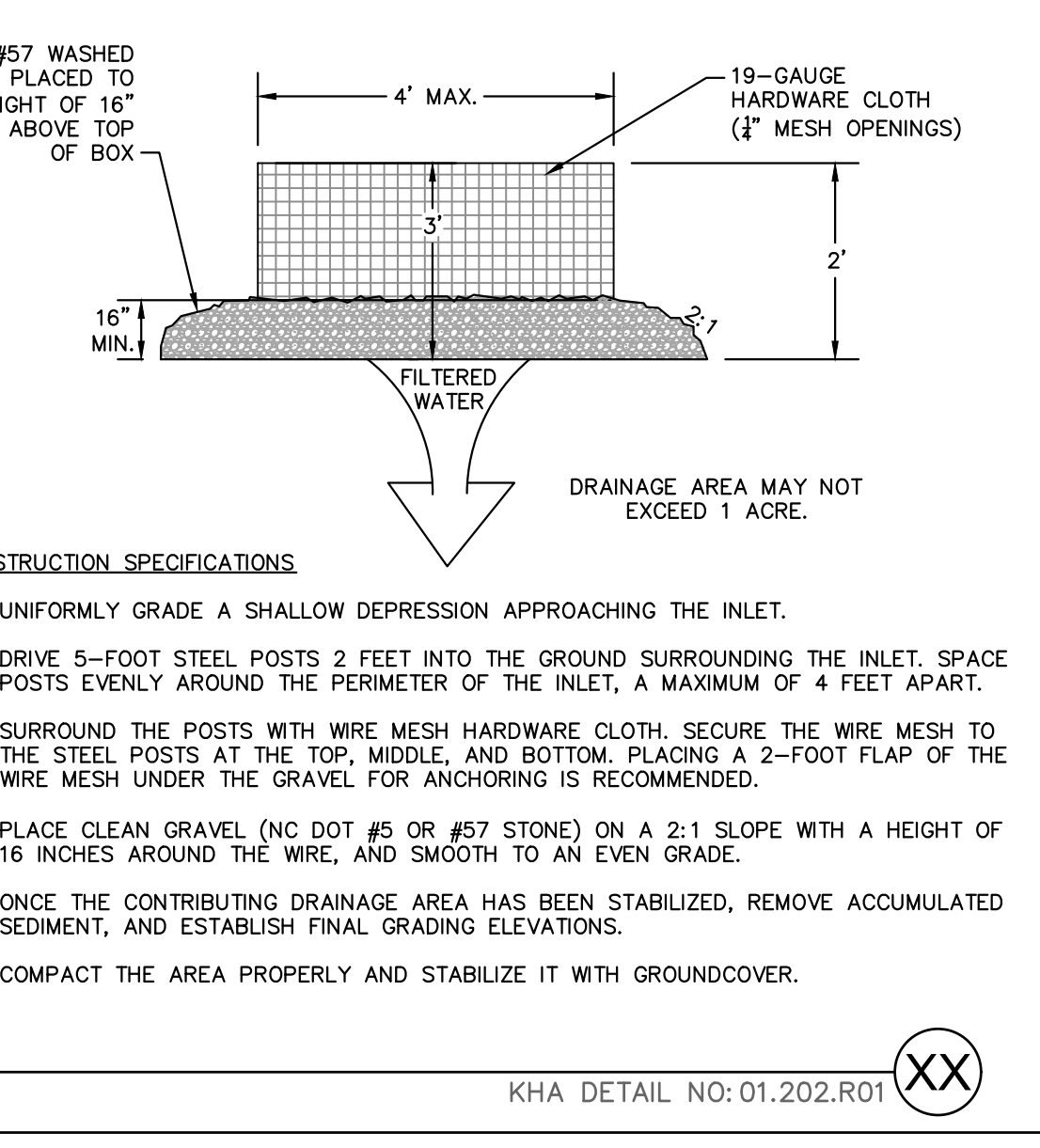
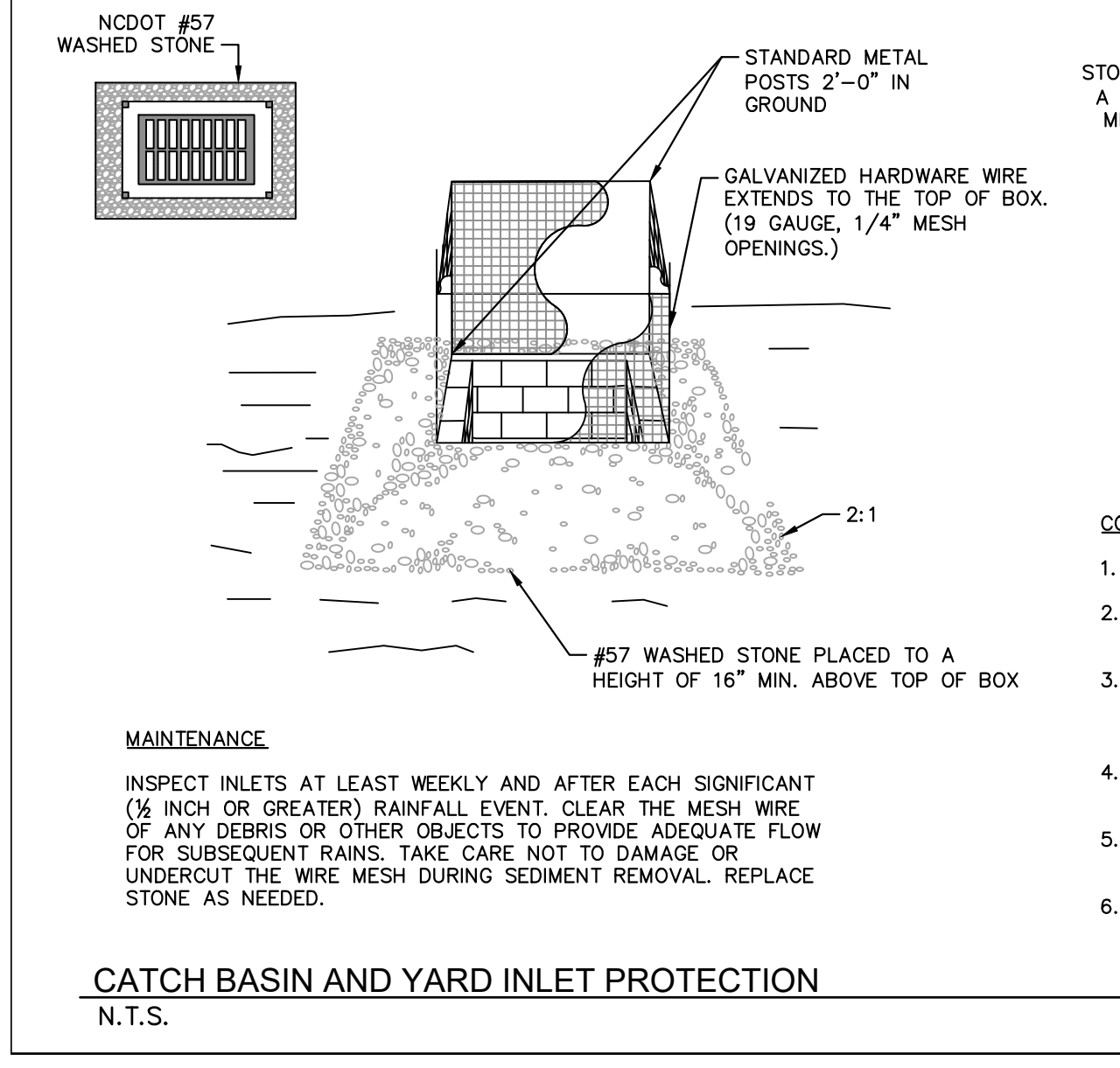
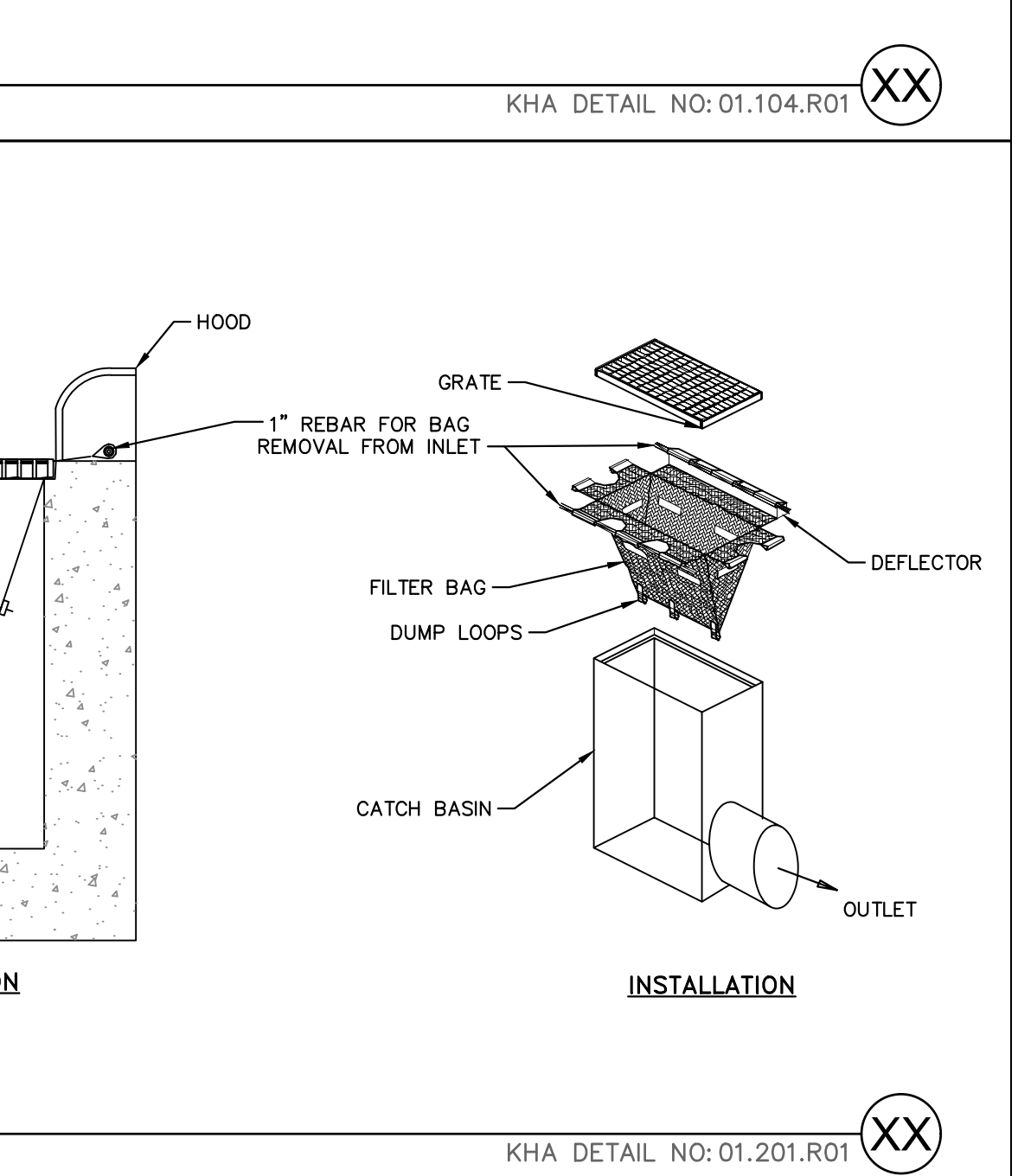
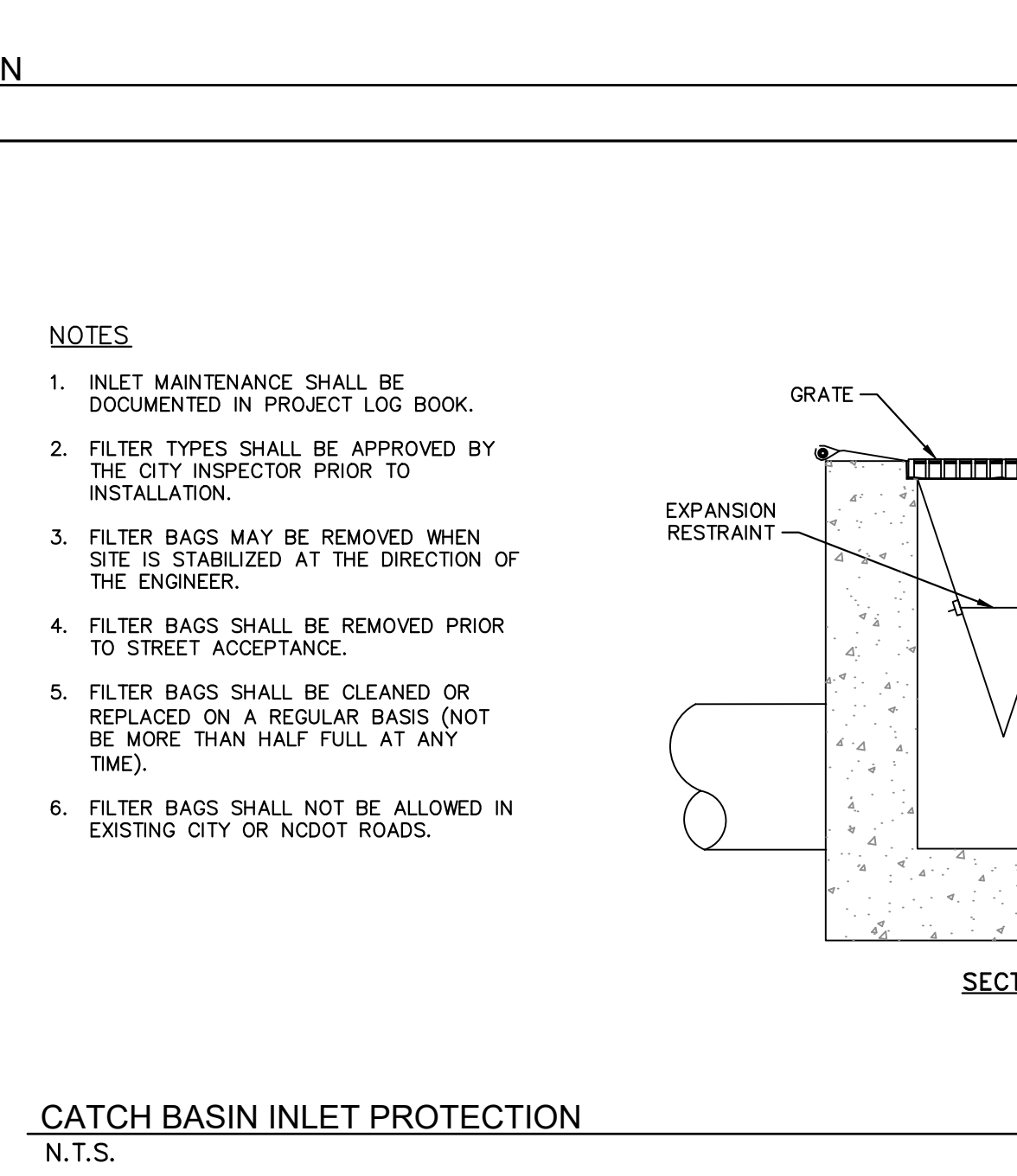
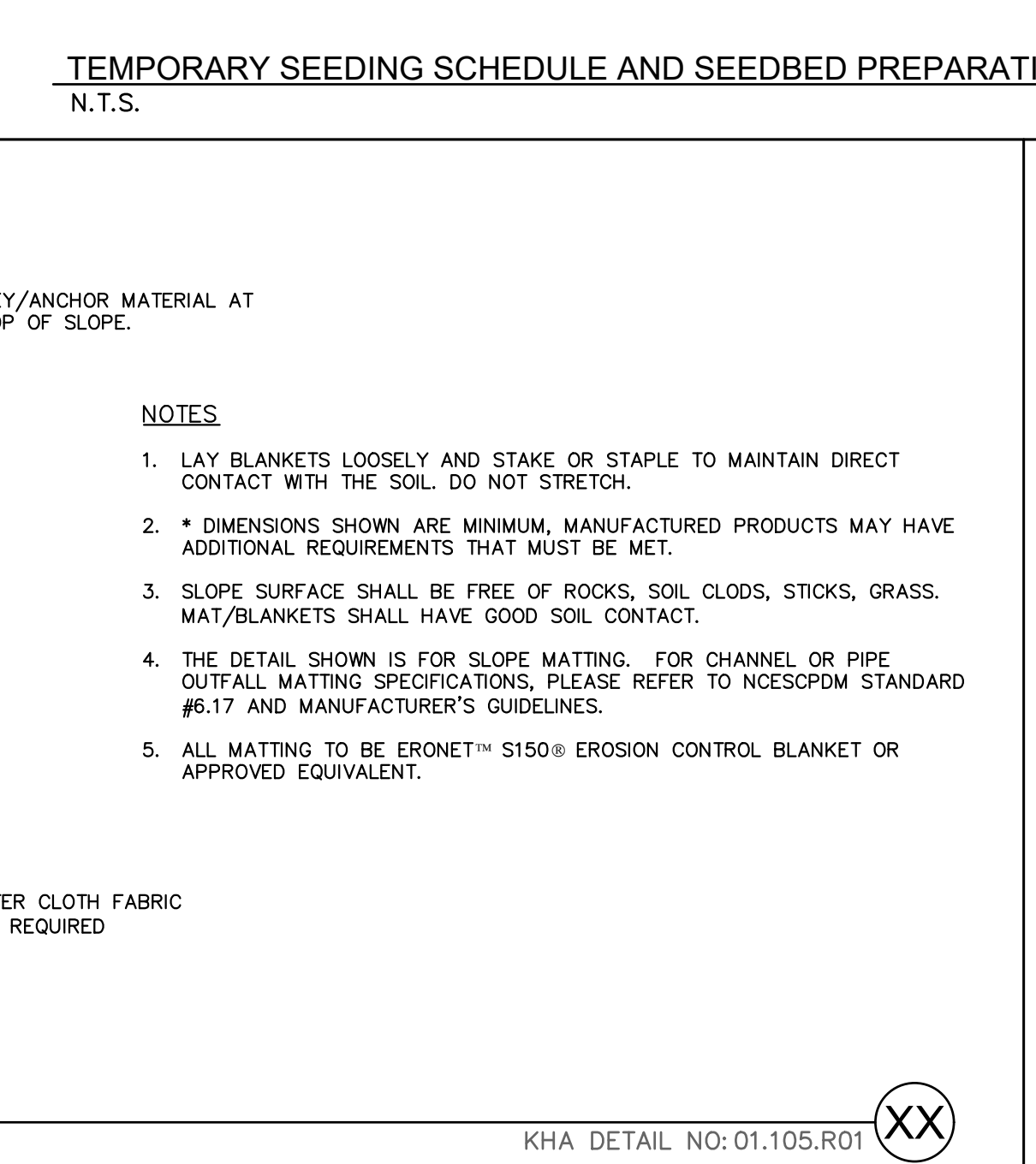
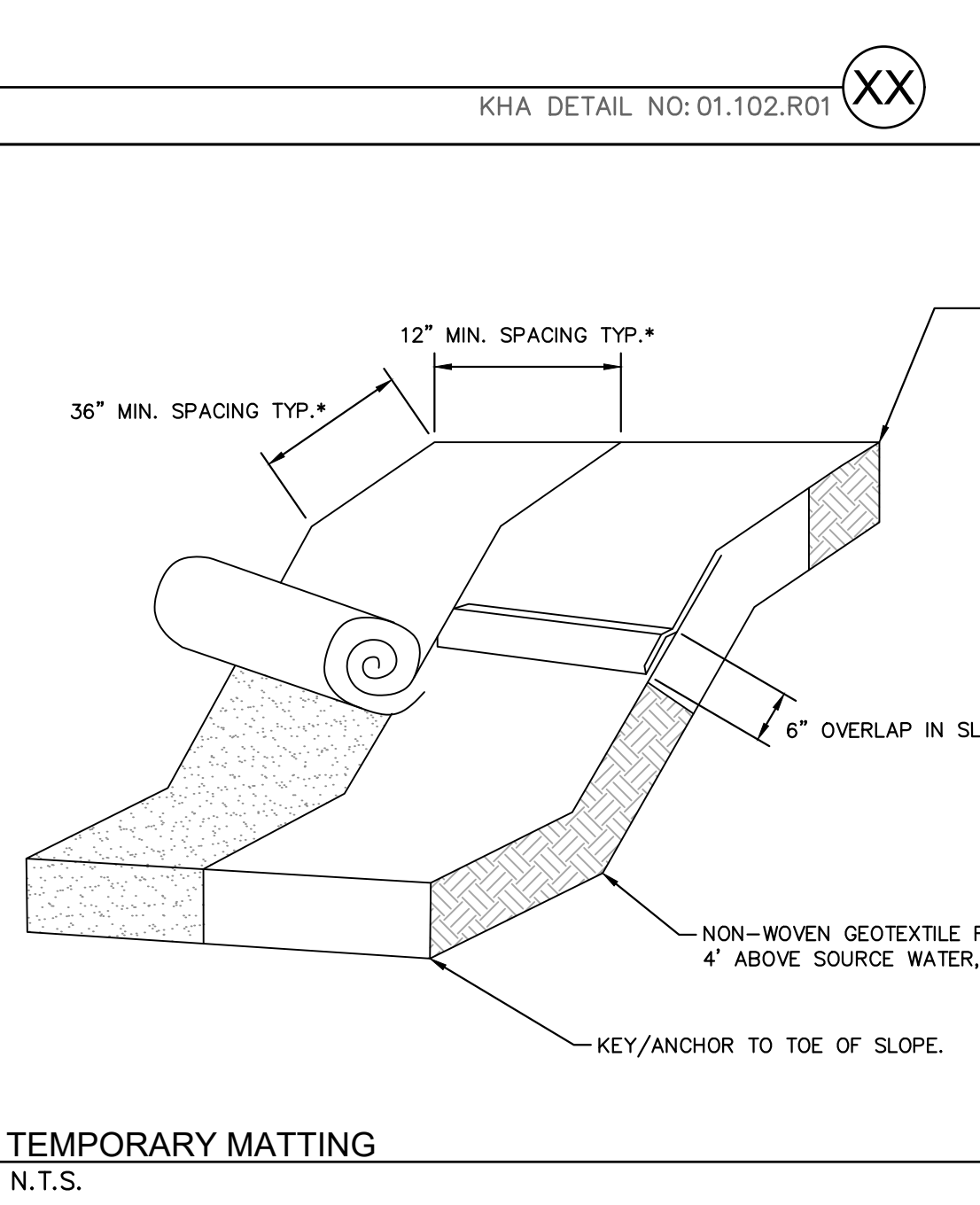
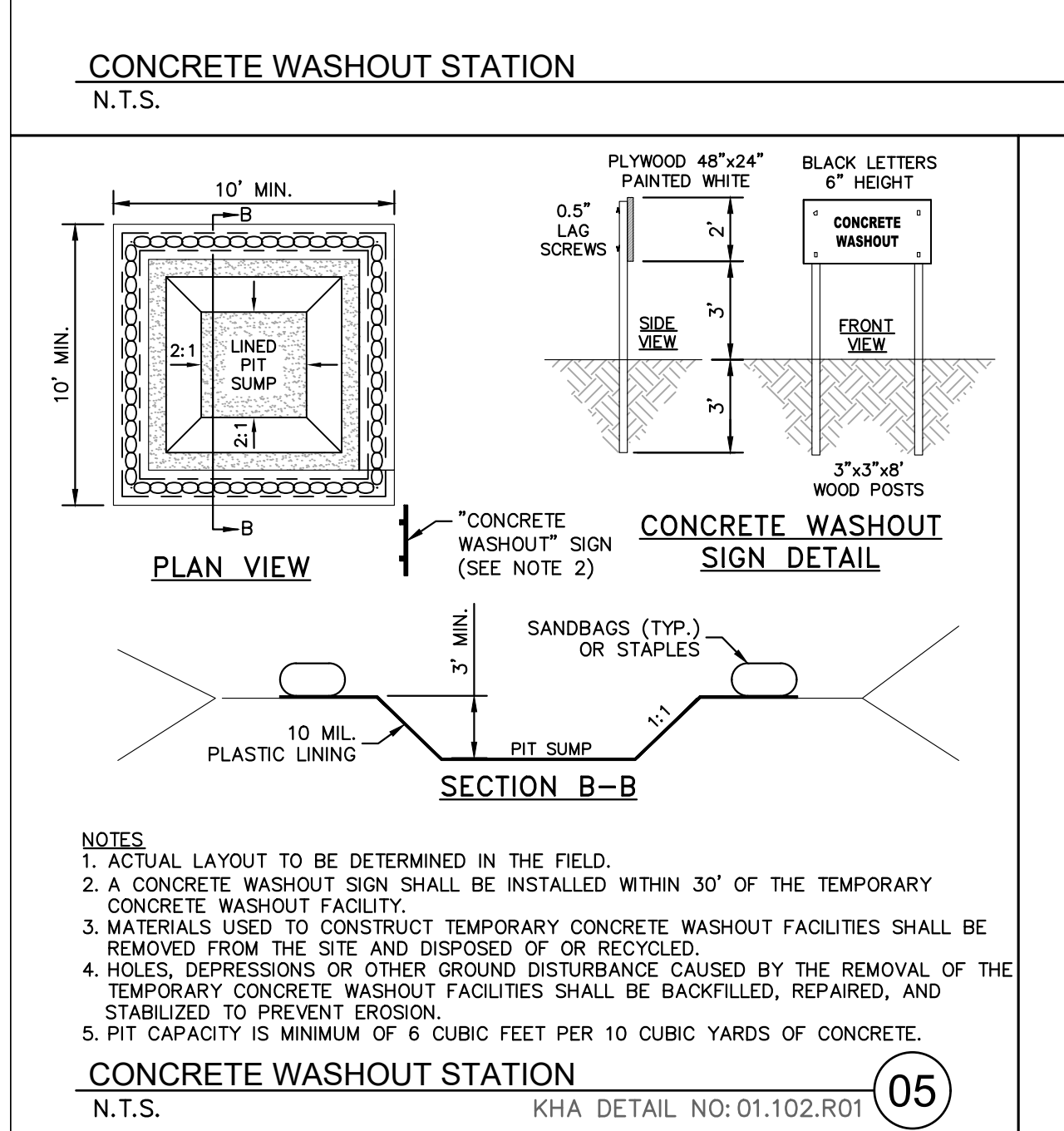
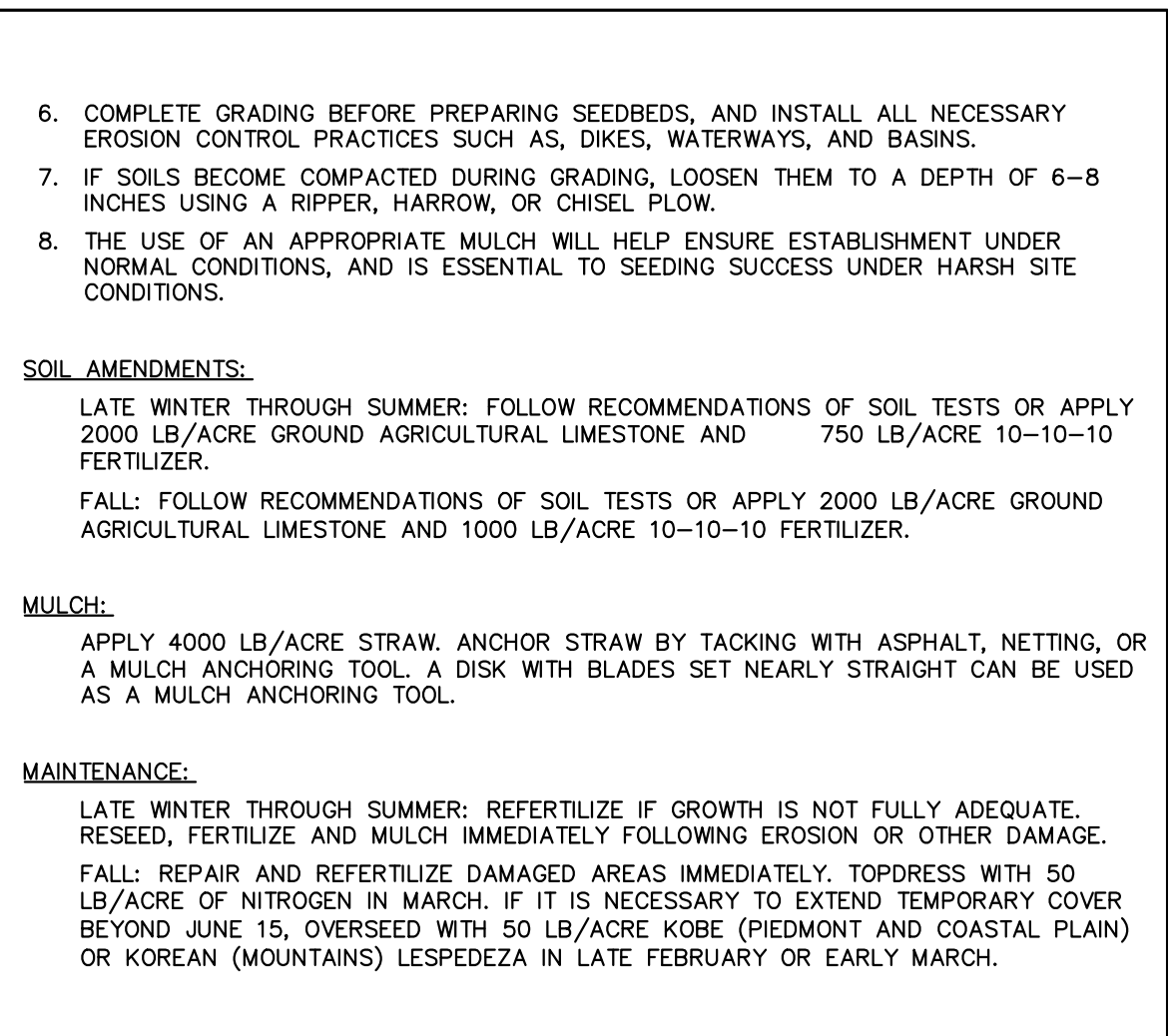
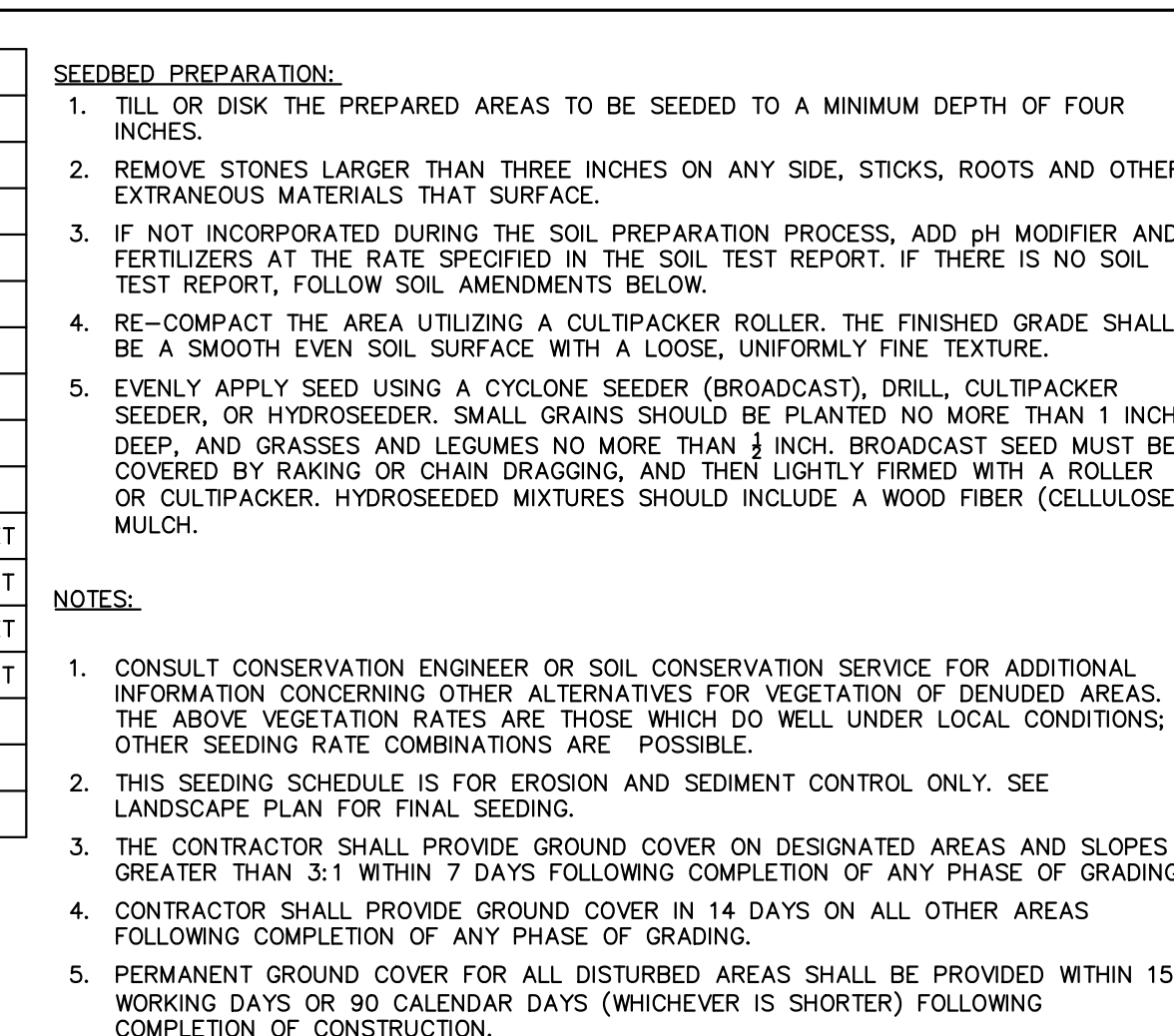
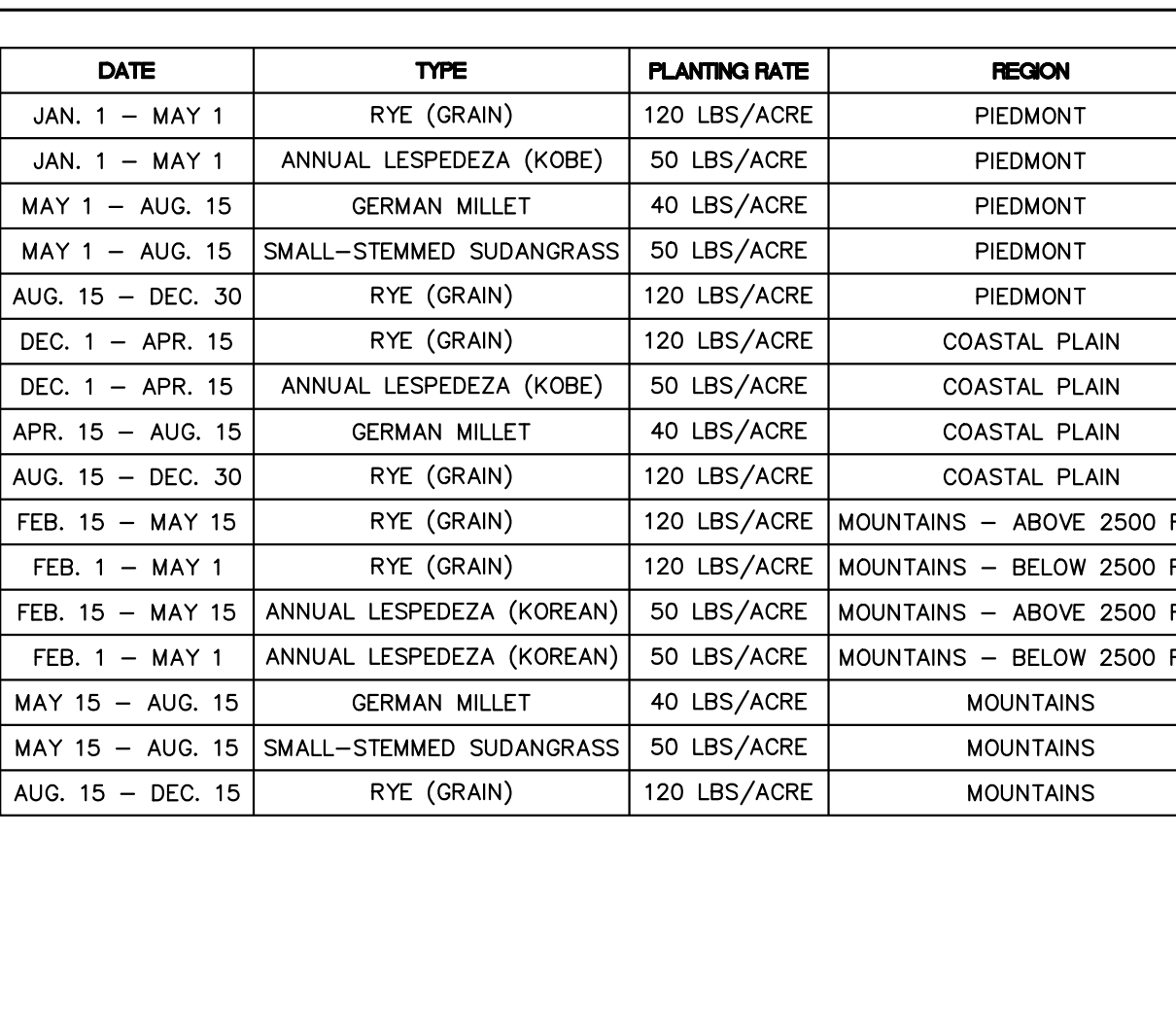
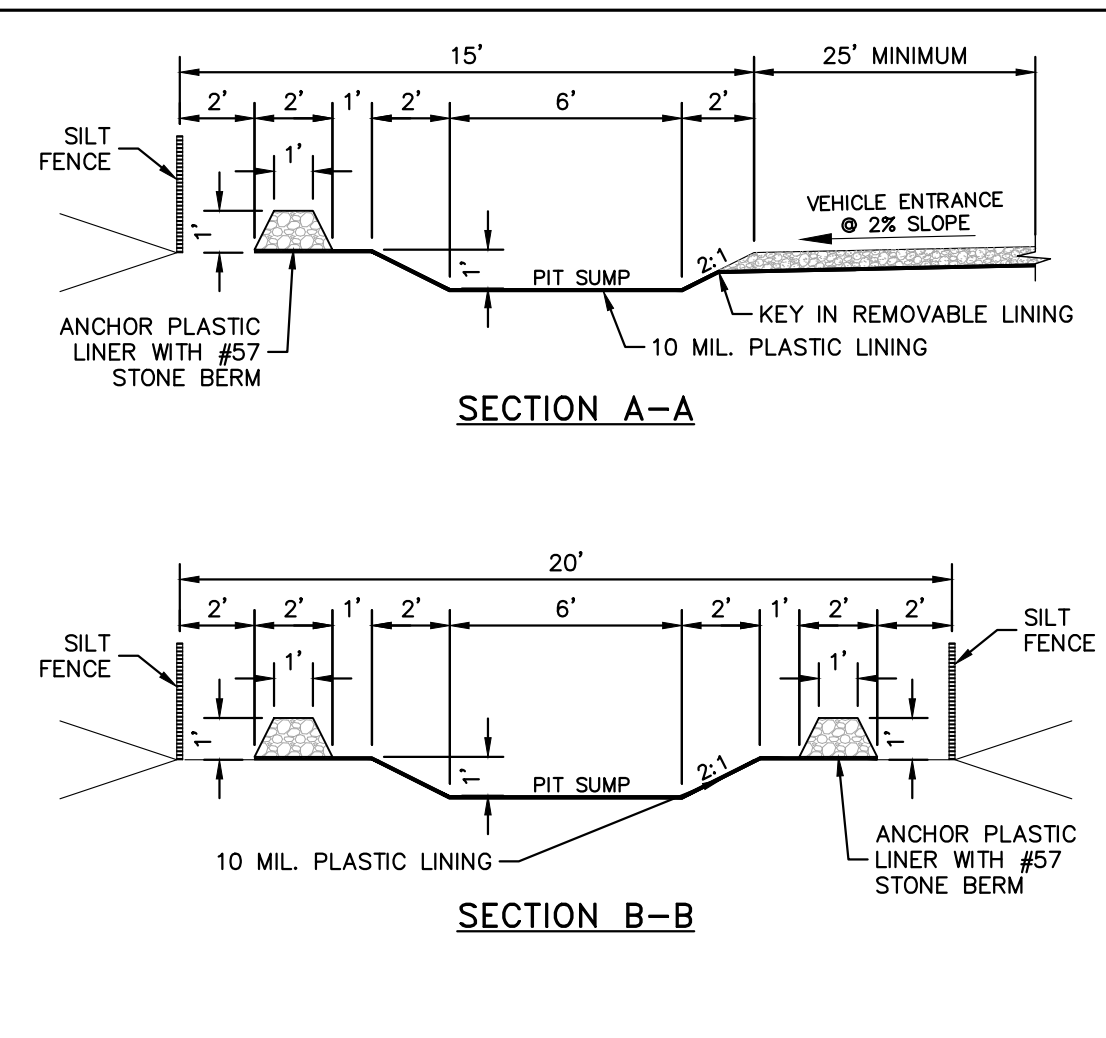
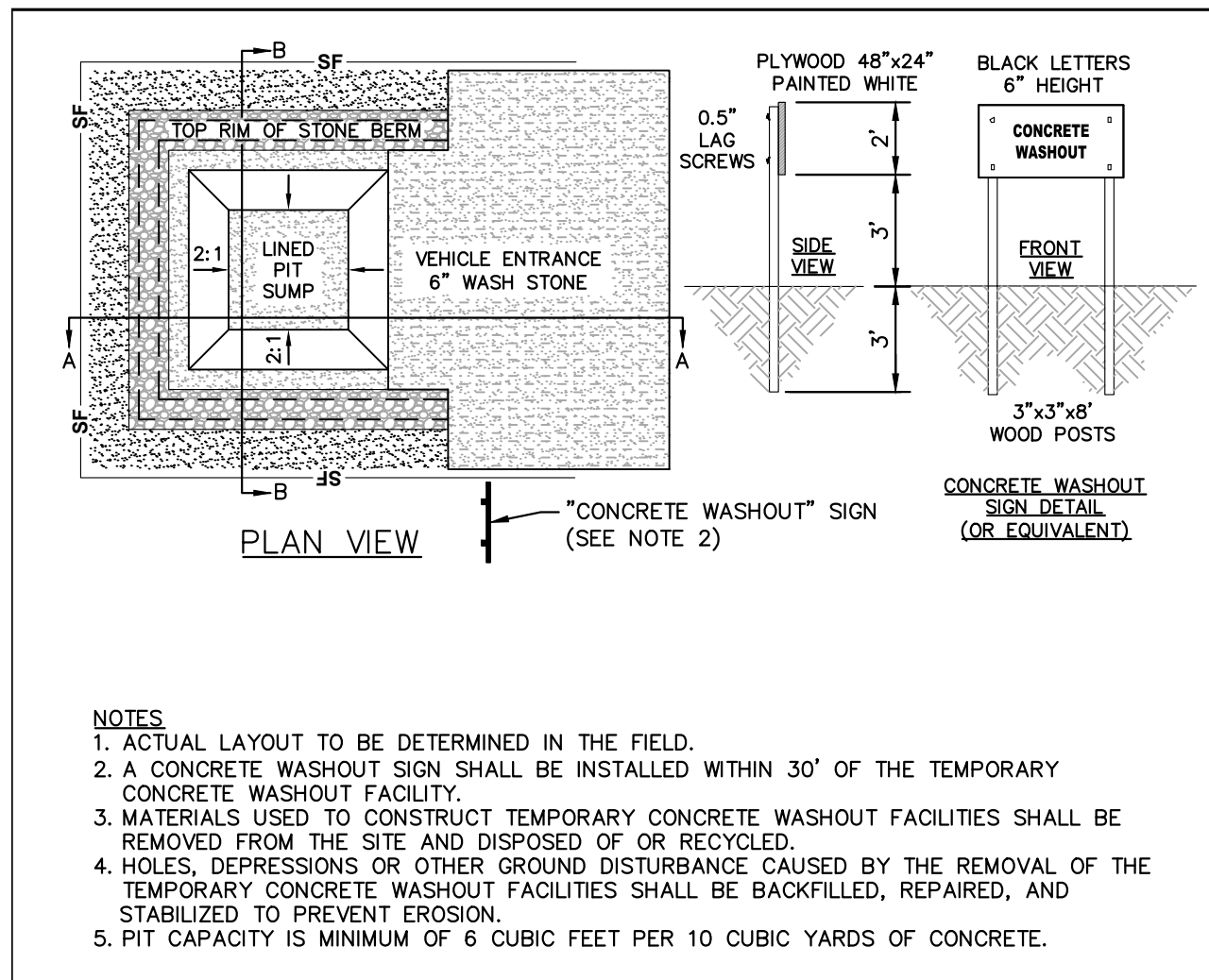
Kimley-Horn
© 2023 KIMLEY-HORN AND ASSOCIATES, INC.
#F-0102 WWW.KIMLEY-HORN.COM PHONE: 919.677.2000 FAX: 919.677.2050
421 FAYETTEVILLE STREET, SUITE 800, RALEIGH, NC 27601

NOT FOR CONSTRUCTION

KHA PROJECT	013031004	DATE	09/29/2023	SCALE	AS SHOWN	DESIGNED BY	JAA	DRAWN BY	JAA	CHECKED BY	COE
-------------	-----------	------	------------	-------	----------	-------------	-----	----------	-----	------------	-----

SHEET NUMBER **C5.1**

Plotted By: Alexander, Jamal Sheet Set: THE LEARNING CENTER ROLESVILLE EROSION CONTROL DETAILS January 02, 2024 09:06:49pm K:\RAL_LDEV013031004_Rolesville_Leaning_Center\10_CAD Files\Plans\Sheets\C5.2 EROSION CONTROL DETAILS.dwg
 This document, together with the concepts and designs presented herein, is an instrument of service, as an instrument of service, is intended only for the specific purpose and client for which it was prepared. Reuse of and improper reliance on this document without written authorization and adaptation by Kimley-Horn and Associates, Inc. shall be without liability to Kimley-Horn and Associates, Inc.



THE LEARNING CENTER ROLESVILLE
 PREPARED FOR
 ROLESVILLE, LLC.
 TOWN OF ROLESVILLE

EROSION CONTROL
 DETAILS

NORTH CAROLINA

SHEET NUMBER
C5.2

SDP-23-07

KHA PROJECT
 013031004

DATE
 09/29/2023

SCALE
 AS SHOWN

DESIGNED BY
 JAA

DRAWN BY
 JAA

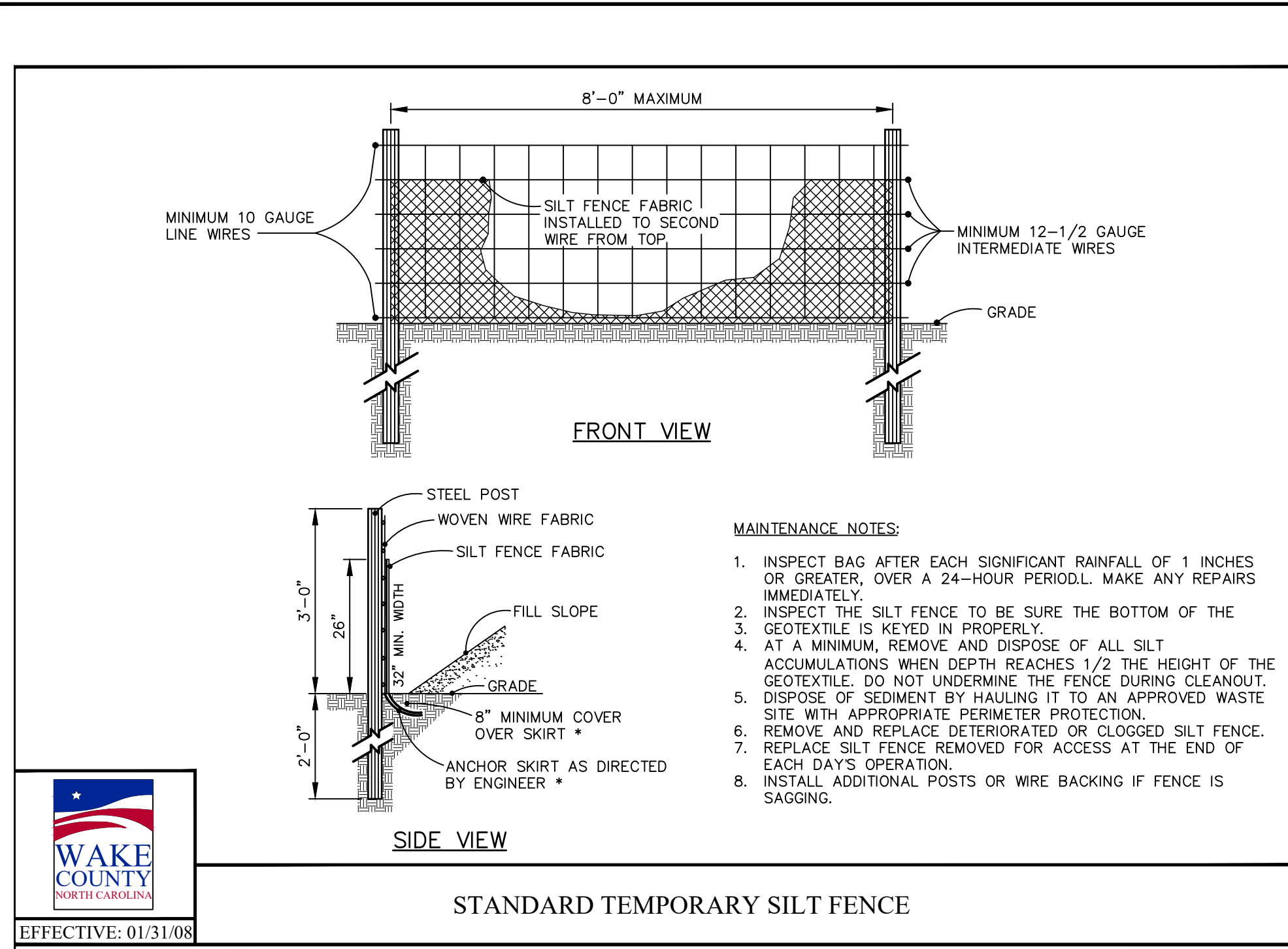
CHECKED BY
 COB

KIMLEY-HORN & ASSOCIATES, INC.
 421 FAYETTEVILLE STREET, SUITE 800, RALEIGH, NC 27601
 PHONE: 919.677.2000 FAX: 919.677.2050

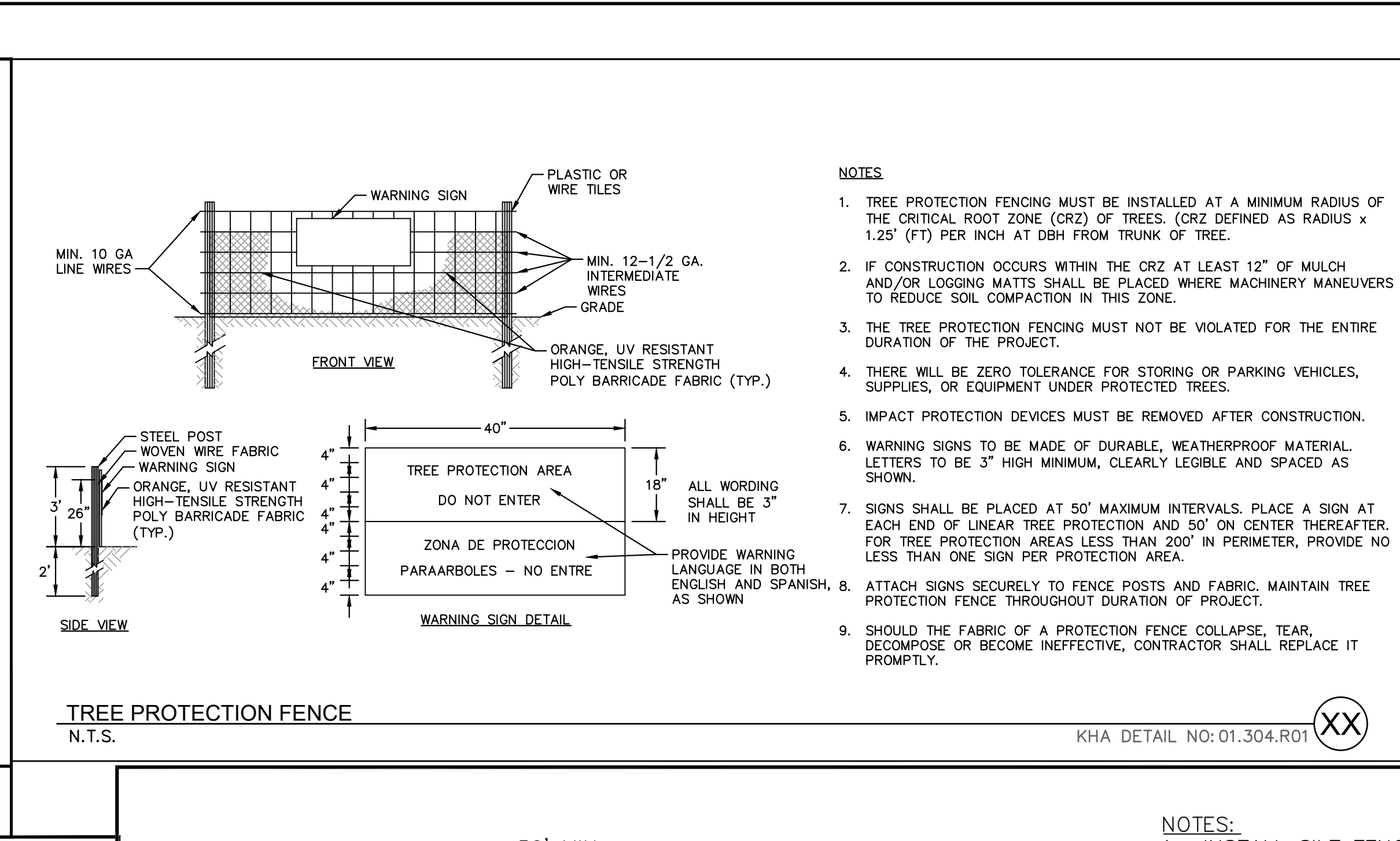
© 2023 KIMLEY-HORN AND ASSOCIATES, INC.



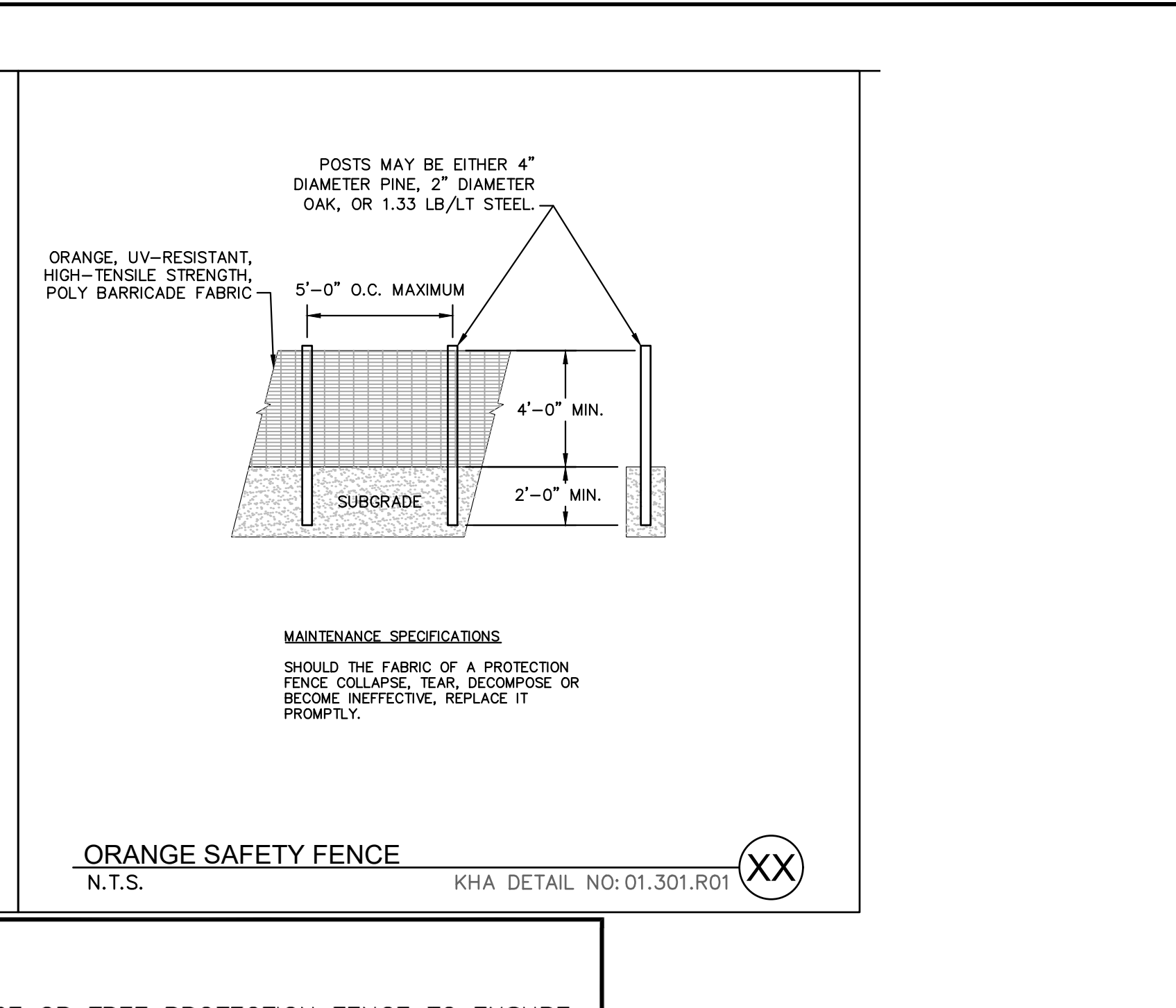
Plotted By: Alexander, Jamal Sheet Set: THE LEARNING CENTER ROLESVILLE - Layout: C5.3 EROSION CONTROL DETAILS - January 02, 2024 09:06:51pm - K:\RAI\LD\013031004_Rolesville - Learning Center\PTD_CAD Files\PlanSheets\C5.3 EROSION CONTROL DETAILS.dwg
 This document, together with the concepts and designs presented herein, is an instrument of service, as an instrument of service, is intended only for the specific purpose and client for which it was prepared. Reuse of and improper reliance on this document without written authorization and adaptation by Kimley-Horn and Associates, Inc. shall be without liability to Kimley-Horn and Associates, Inc.



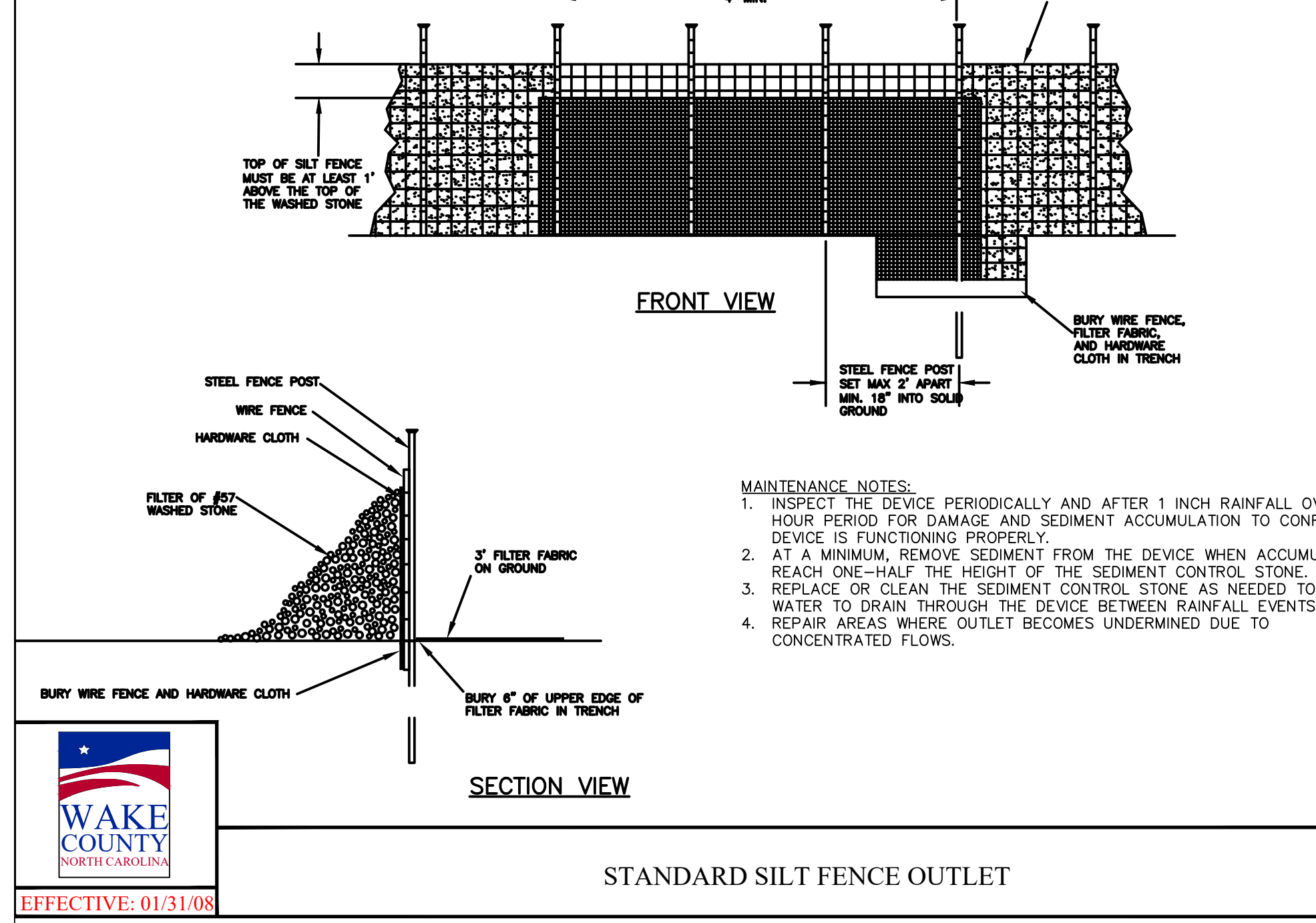
STANDARD TEMPORARY SILT FENCE
EFFECTIVE: 01/31/08



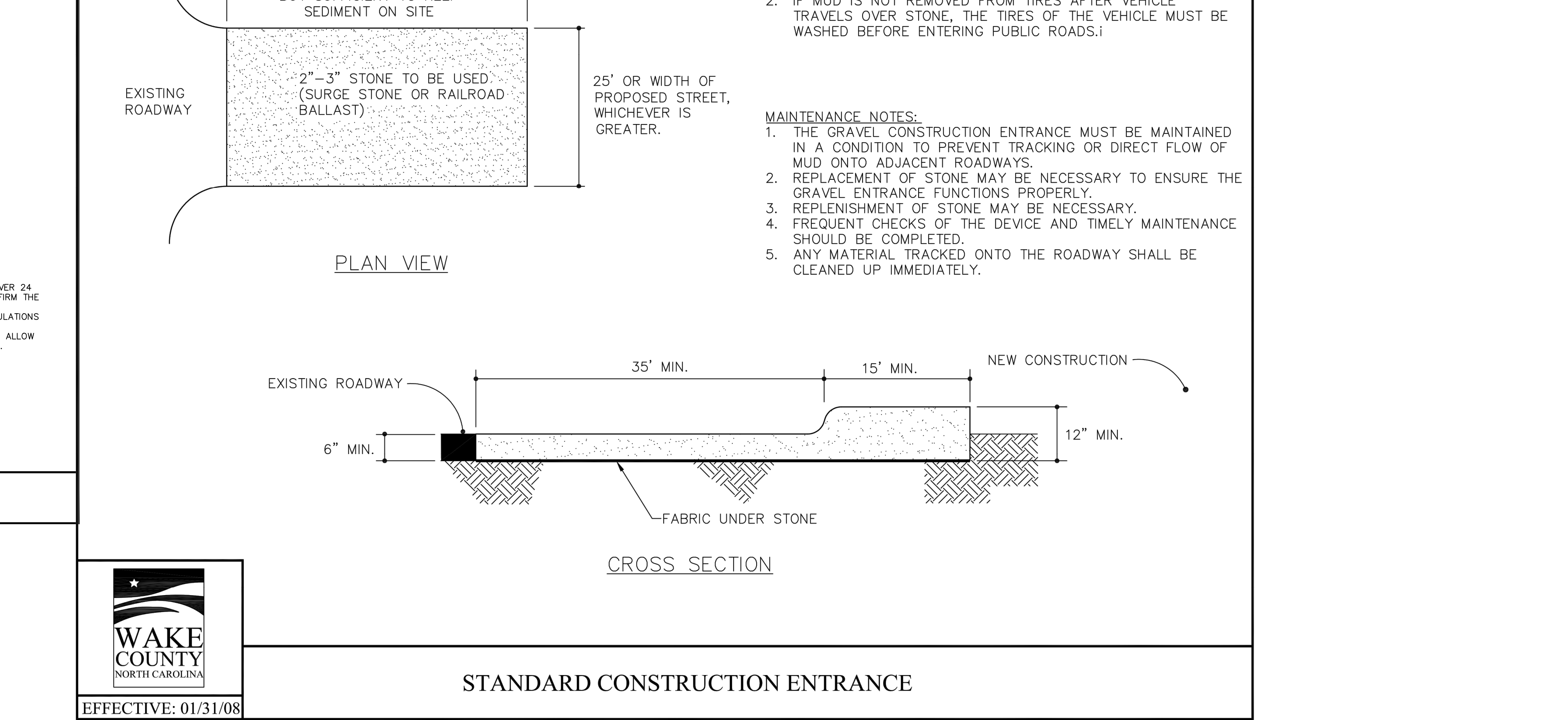
TREE PROTECTION FENCE
N.T.S. KHA DETAIL NO: 01.304.R01 XX



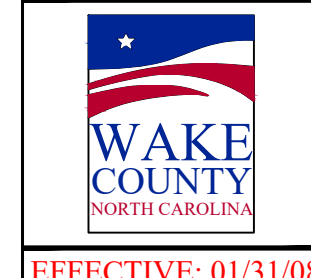
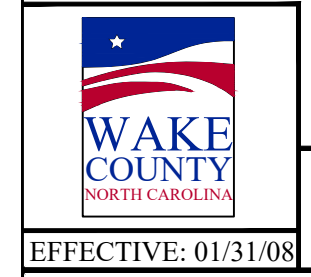
ORANGE SAFETY FENCE
N.T.S. KHA DETAIL NO: 01.301.R01 XX



STANDARD SILT FENCE OUTLET
EFFECTIVE: 01/31/08



STANDARD CONSTRUCTION ENTRANCE
EFFECTIVE: 01/31/08



- NOTES:**
- TREE PROTECTION FENCING MUST BE INSTALLED AT A MINIMUM RADIUS OF THE CRITICAL ROOT ZONE (CRZ) OF TREES. (CRZ DEFINED AS RADIUS x 1.25' (FT) PER INCH AT DBH FROM TRUNK OF TREE).
 - IF CONSTRUCTION OCCURS WITHIN THE CRZ AT LEAST 12" OF MULCH AND/OR LOGGING MATS SHALL BE PLACED WHERE MACHINERY MANEUVERS TO REDUCE SOIL COMPACTION IN THIS ZONE.
 - THE TREE PROTECTION FENCING MUST NOT BE VIOLATED FOR THE ENTIRE DURATION OF THE PROJECT.
 - THERE WILL BE ZERO TOLERANCE FOR STORING OR PARKING VEHICLES, SUPPLIES, OR EQUIPMENT UNDER PROTECTED TREES.
 - IMPACT PROTECTION DEVICES MUST BE REMOVED AFTER CONSTRUCTION.
 - WARNING SIGNS TO BE MADE OF DURABLE, WEATHERPROOF MATERIAL. LETTERS TO BE 3" HIGH MINIMUM, CLEARLY LEGIBLE AND SPACED AS SHOWN.
 - SIGNS SHALL BE PLACED AT 50' MAXIMUM INTERVALS. PLACE A SIGN AT EACH END OF LINEAR TREE PROTECTION AND 50' ON CENTER THEREAFTER. FOR TREE PROTECTION AREAS LESS THAN 200' IN PERIMETER, PROVIDE NO LESS THAN ONE SIGN PER PROTECTION AREA.
 - ATTACH SIGNS SECURELY TO FENCE POSTS AND FABRIC. MAINTAIN TREE PROTECTION FENCE THROUGHOUT DURATION OF PROJECT.
 - SHOULD THE FABRIC OF A PROTECTION FENCE COLLAPSE, TEAR, DECOMPOSE OR BECOME INEFFECTIVE, CONTRACTOR SHALL REPLACE IT PROMPTLY.

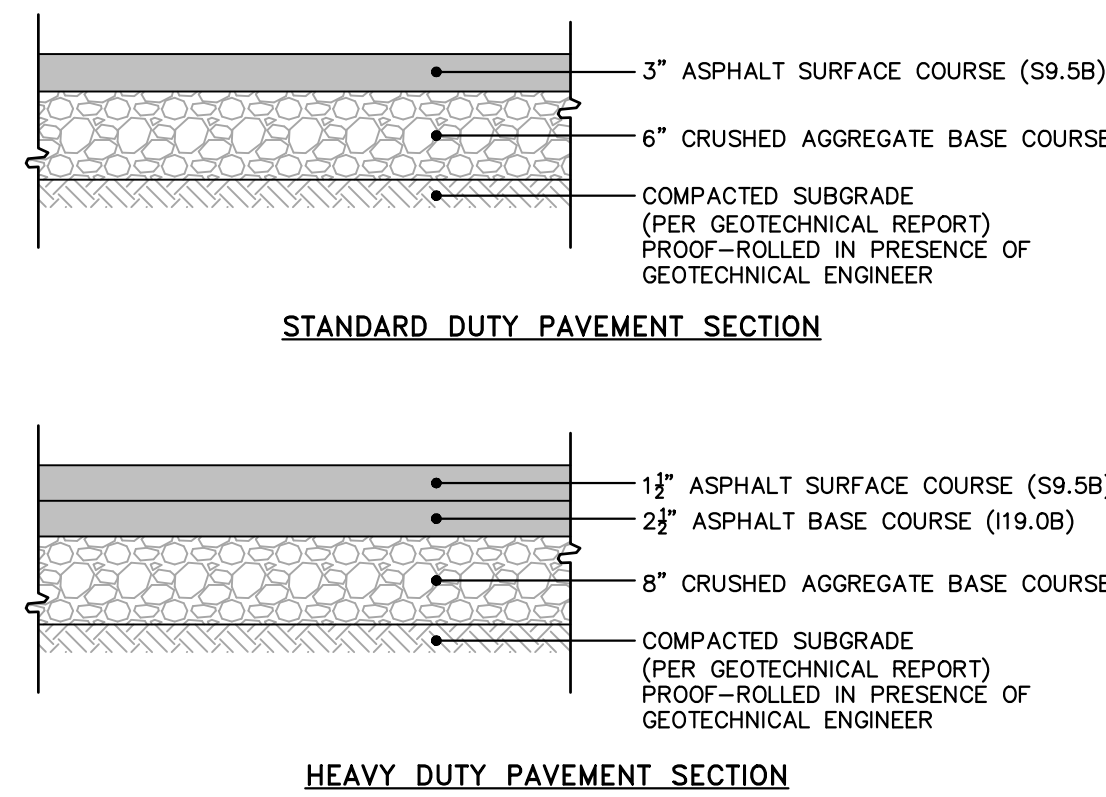
- NOTES:**
- INSTALL SILT FENCE OR TREE PROTECTION FENCE TO ENSURE CONSTRUCTION ENTRANCE IS USED BY VEHICLES.
 - IF MUD IS NOT REMOVED FROM TIRES AFTER VEHICLE TRAVELS OVER STONE, THE TIRES OF THE VEHICLE MUST BE WASHED BEFORE ENTERING PUBLIC ROADS.
- MAINTENANCE NOTES:**
- THE GRAVEL CONSTRUCTION ENTRANCE MUST BE MAINTAINED IN A CONDITION TO PREVENT TRACKING OR DIRECT FLOW OF MUD ONTO ADJACENT ROADWAYS.
 - REPLACEMENT OF STONE MAY BE NECESSARY TO ENSURE THE GRAVEL ENTRANCE FUNCTIONS PROPERLY.
 - REPLENISHMENT OF STONE MAY BE NECESSARY.
 - FREQUENT CHECKS OF THE DEVICE AND TIMELY MAINTENANCE SHOULD BE COMPLETED.
 - ANY MATERIAL TRACKED ONTO THE ROADWAY SHALL BE CLEANED UP IMMEDIATELY.

SURVEY NOTE:
EXISTING TOPOGRAPHICAL INFORMATION IS BASED ON A TOPOGRAPHIC SURVEY OBTAINED ON 02/23/2023 BY CMP PROFESSIONAL LAND SURVEYORS, 333 S. WHITE STREET, WAKE FOREST, NC, 27588. PHONE: (919) 556-3148. CONTRACTOR SHALL BE RESPONSIBLE FOR VERIFYING ALL EXISTING INFORMATION, DEPICTED OR NOT, PRIOR TO CONSTRUCTION AND REPORT POTENTIAL CONFLICTS TO OWNER AND ENGINEER.

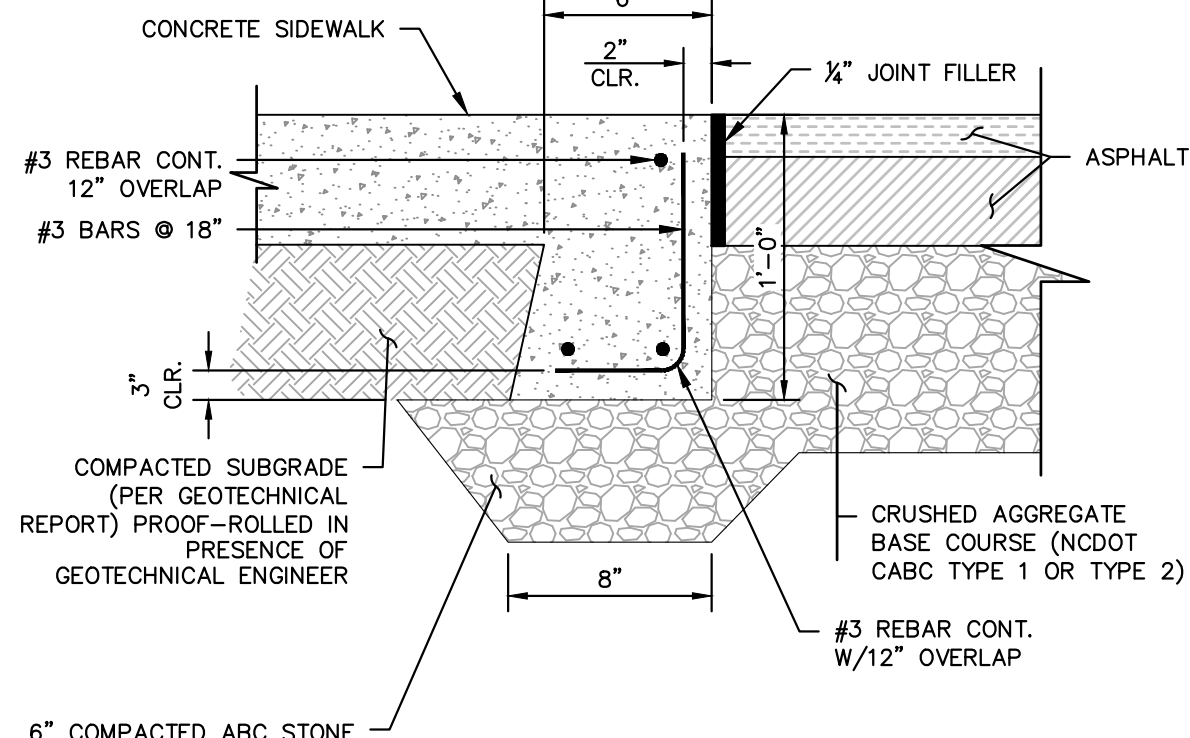


KHA PROJECT 013031004		DATE 09/29/2023		SCALE AS SHOWN		DESIGNED BY JAA		DRAWN BY JAA		CHECKED BY COB	
THE LEARNING CENTER ROLESVILLE PREPARED FOR ROLESVILLE, LLC. TOWN OF ROLESVILLE NORTH CAROLINA						EROSION CONTROL DETAILS					
Kimley»Horn <small>© 2023 KIMLEY-HORN AND ASSOCIATES, INC. #F-0102 WWW.KIMLEY-HORN.COM PHONE: 919.677.2000 FAX: 919.677.9050 421 FAYETTEVILLE STREET, SUITE 800, RALEIGH, NC 27601</small>						SHEET NUMBER C5.3					
										REVISIONS No. _____ DATE _____ BY _____	

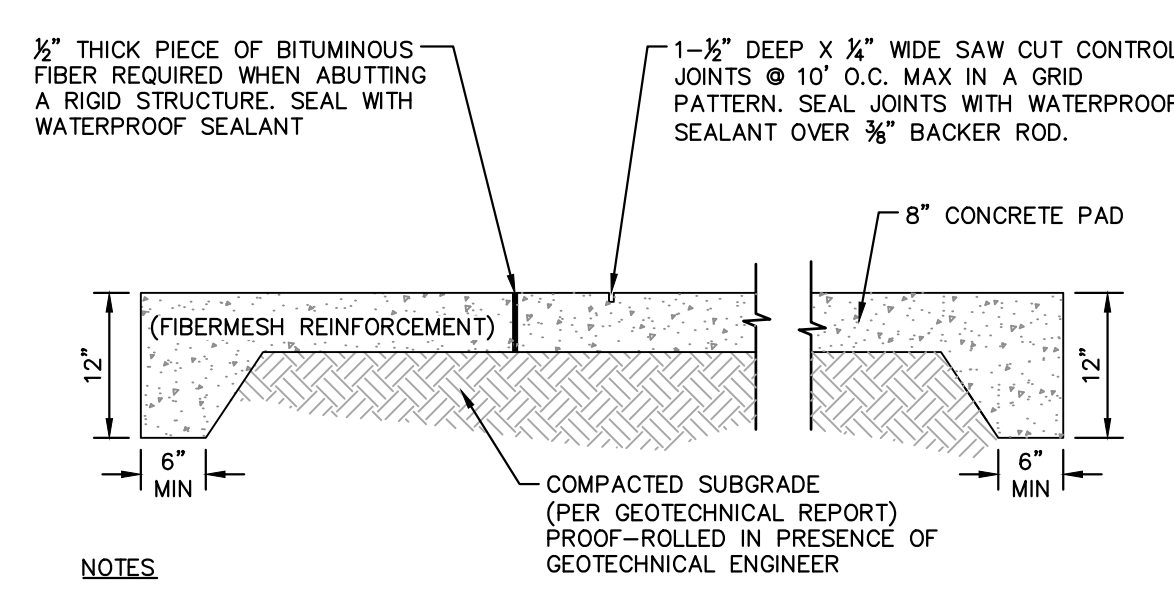
Plotted By: Alexander, Jamal Sheet Set: THE LEARNING CENTER ROLESVILLE, Layout: C8.0 SITE DETAILS January 02, 2024, 09:07:01pm. K:\RAL_LDEV\013031004_Rolesville_Leaning_Center\PT10_CAD Files\Plan\Sheet\C8.0 SITE DETAILS.dwg
 This document, together with the concepts and designs presented herein, is an instrument of service, as an instrument of service, is intended only for the specific purpose and client for which it was prepared. Reuse of and improper reliance on this document without written authorization and adaptation by Kimley-Horn and Associates, Inc. shall be without liability to Kimley-Horn and Associates, Inc.



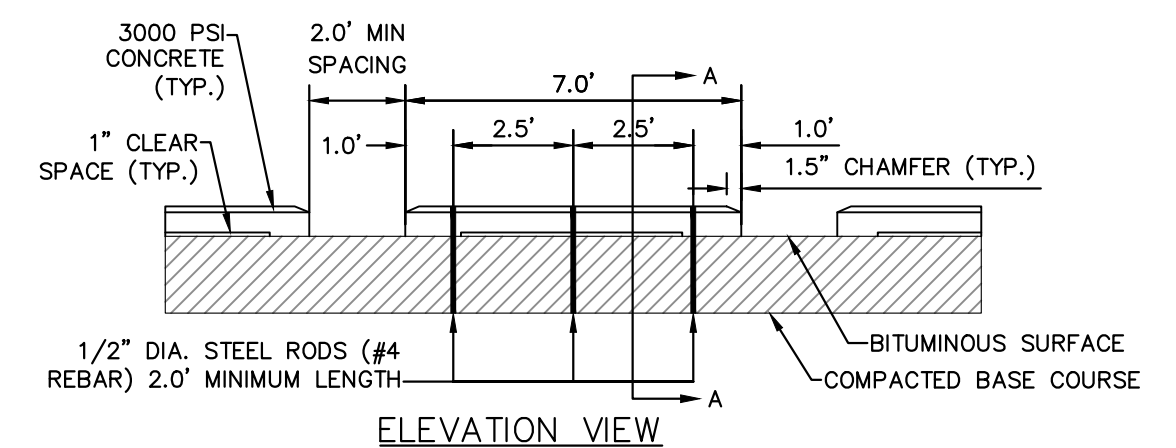
ASPHALT PAVEMENT SECTIONS
 N.T.S. KHA DETAIL NO: 02.101.R02 XX



FLUSH CONCRETE SIDEWALK
 N.T.S. KHA DETAIL NO: 02.104.R02 XX

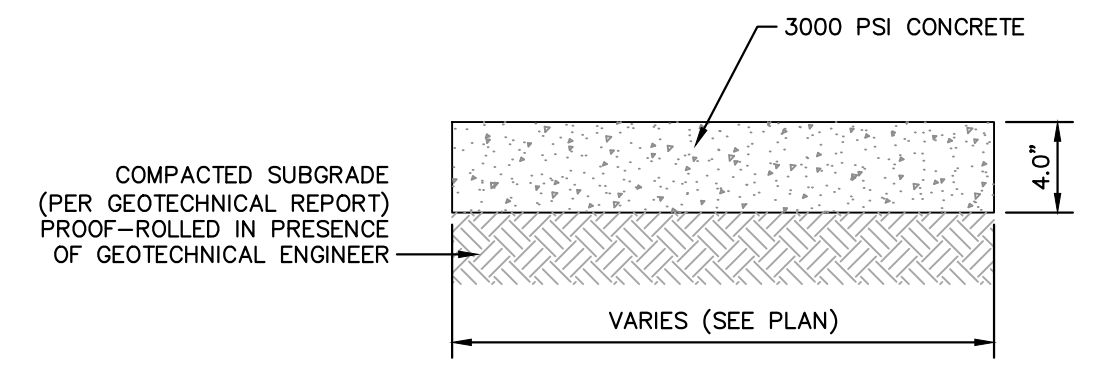


CONCRETE APRON AND DUMPSTER PAD
 N.T.S. KHA DETAIL NO: 02.107.R01 XX

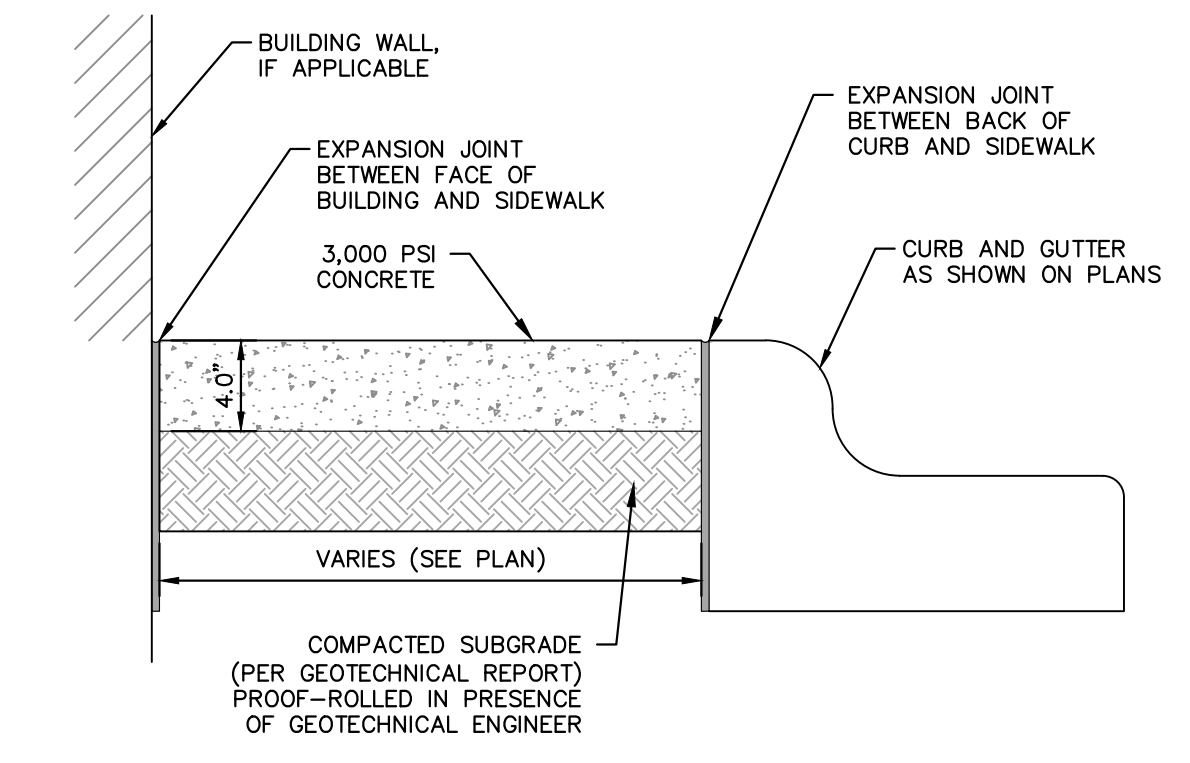


WHEEL STOP
 N.T.S. KHA DETAIL NO: 02.111.R02 XX

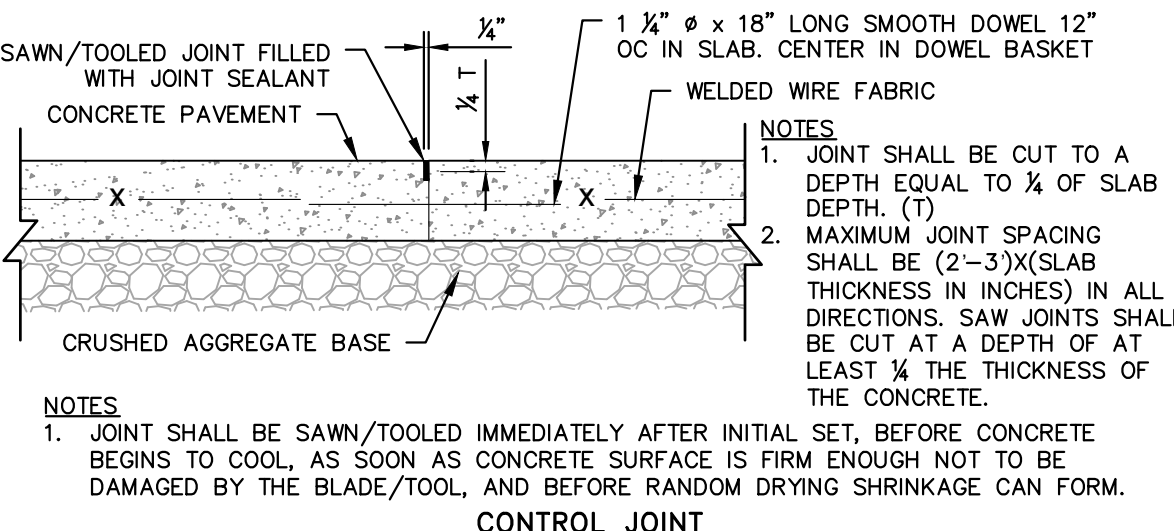
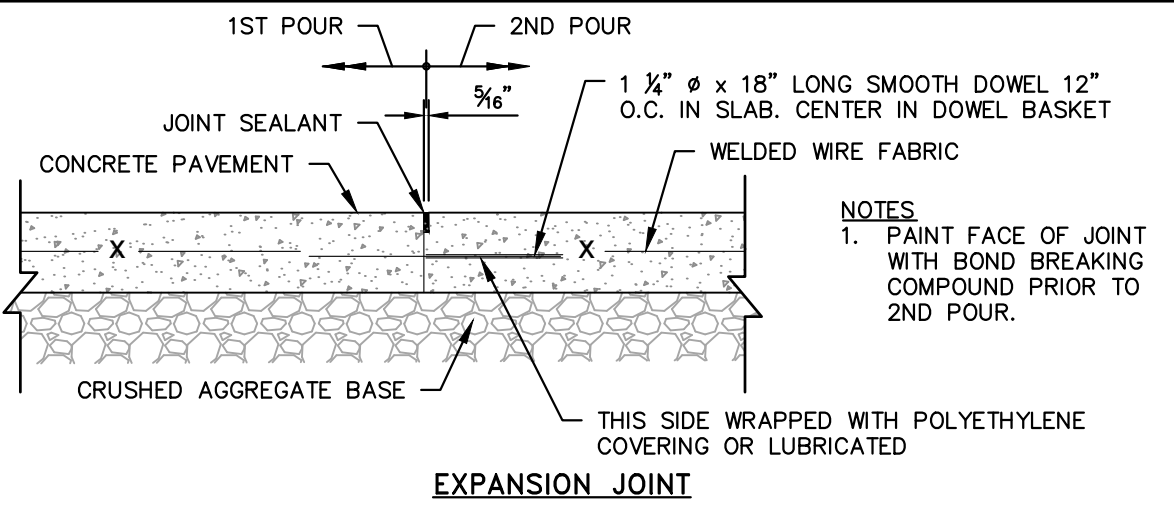
NOTES:
 1. ANCHOR RODS TO BE SLEEVED OR GREASED THRU CONCRETE CURBS TO ALLOW FOR RELOCATION OF WHEEL STOPS.
 2. SEE SITE PLAN FOR WHEEL STOP LOCATIONS, TYPICALLY PLACED 2.5' OFF OF BACK OF CURB ON PAVEMENT.



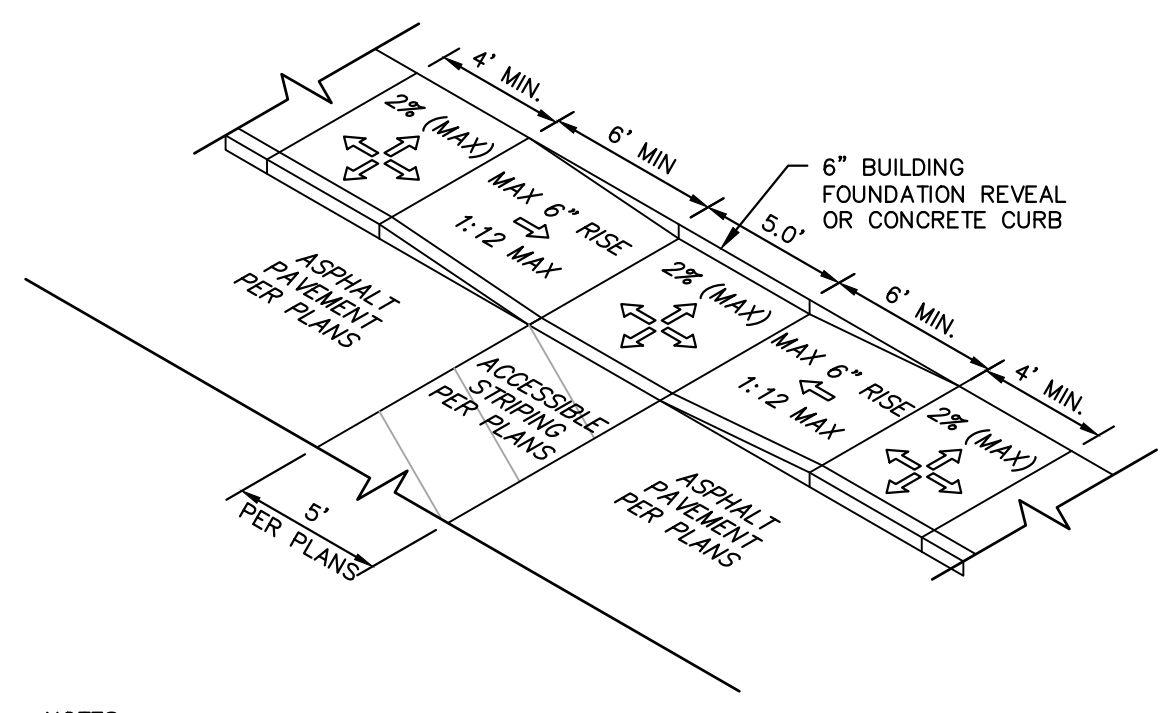
SIDEWALK SECTION
 N.T.S. KHA DETAIL NO: 02.102.R01 XX



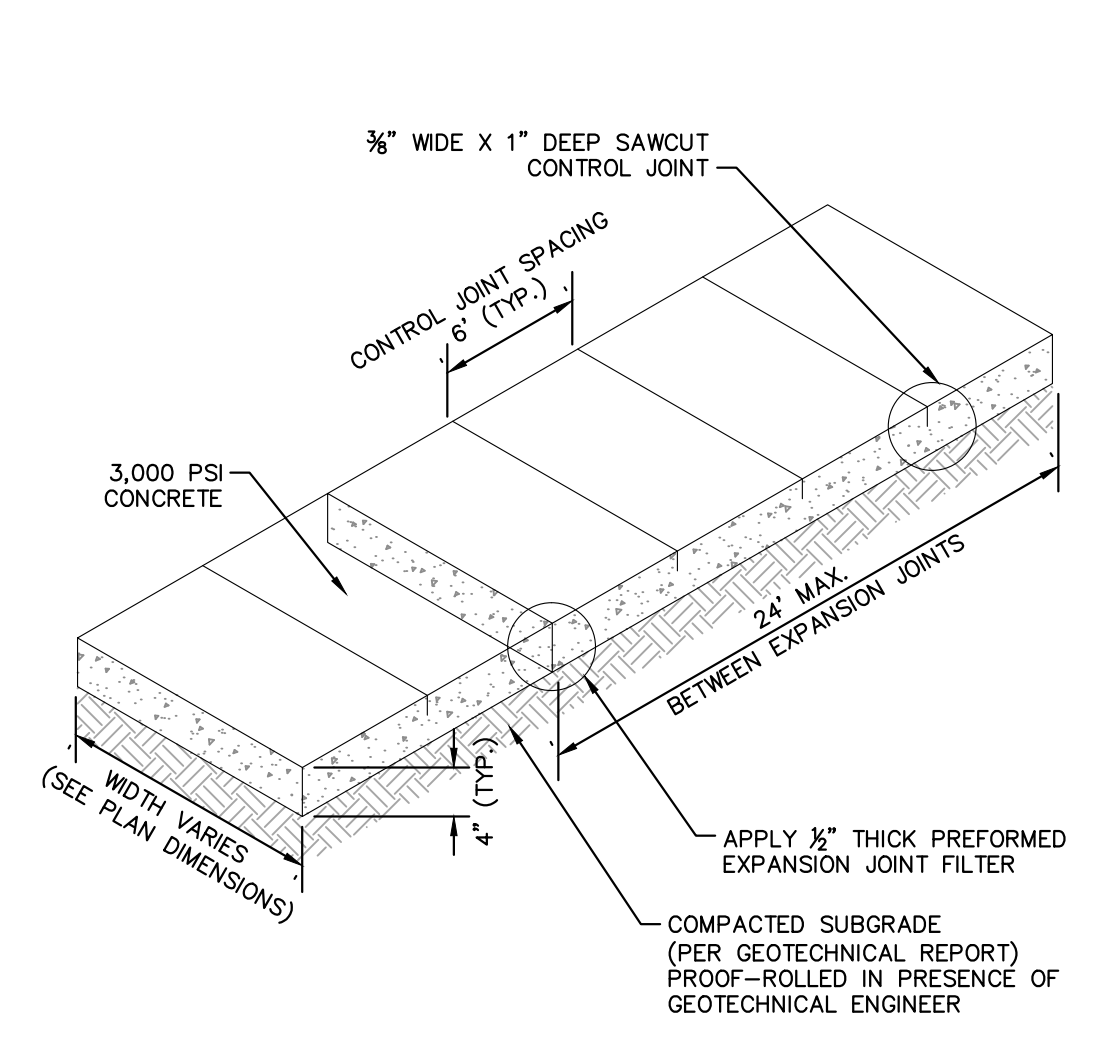
SIDEWALK ADJACENT TO PARKING AREAS
 N.T.S. KHA DETAIL NO: 02.105.R02 XX



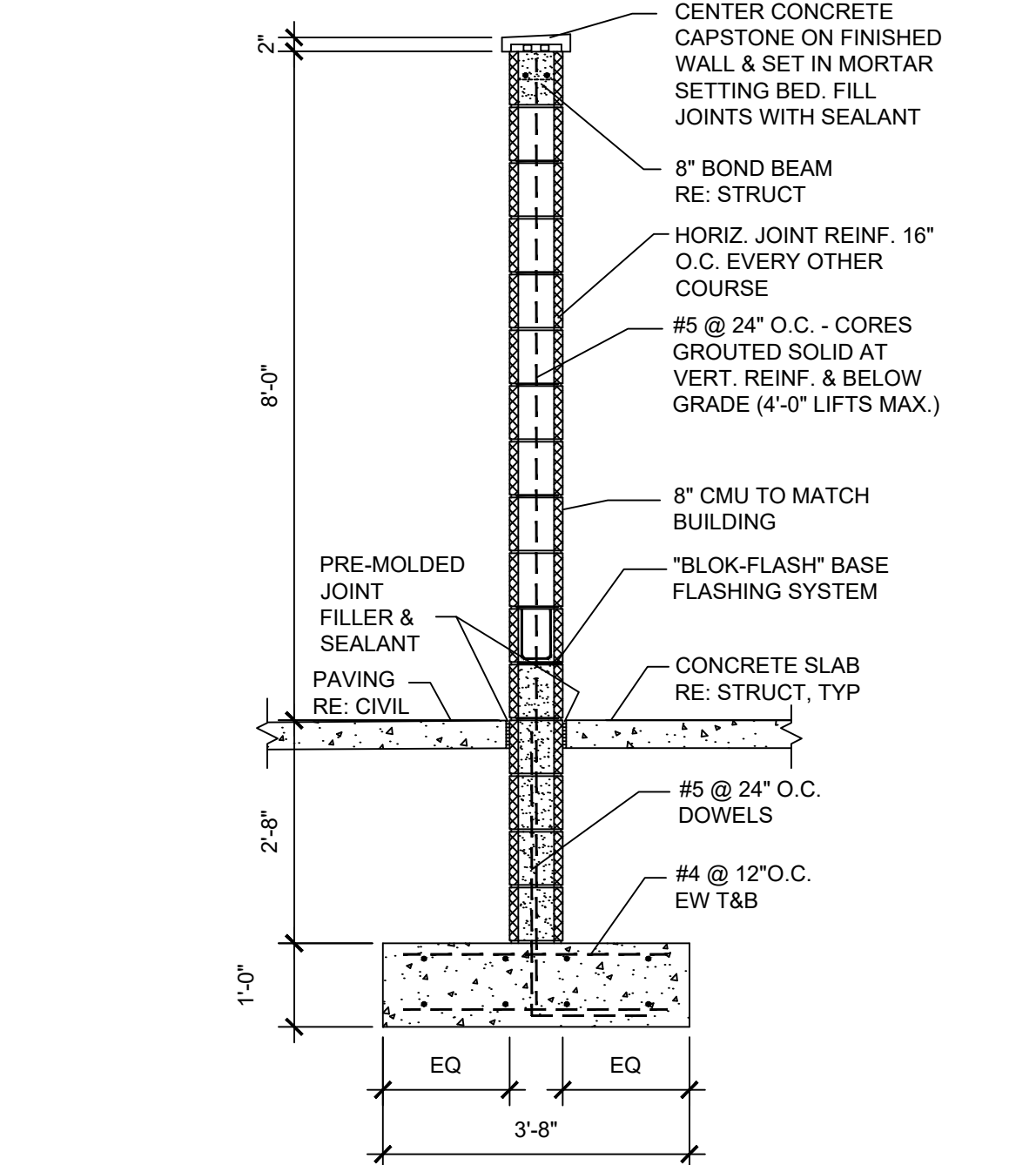
HEAVY DUTY CONTROL AND EXPANSION JOINTS
 N.T.S. KHA DETAIL NO: 02.108.R02 XX



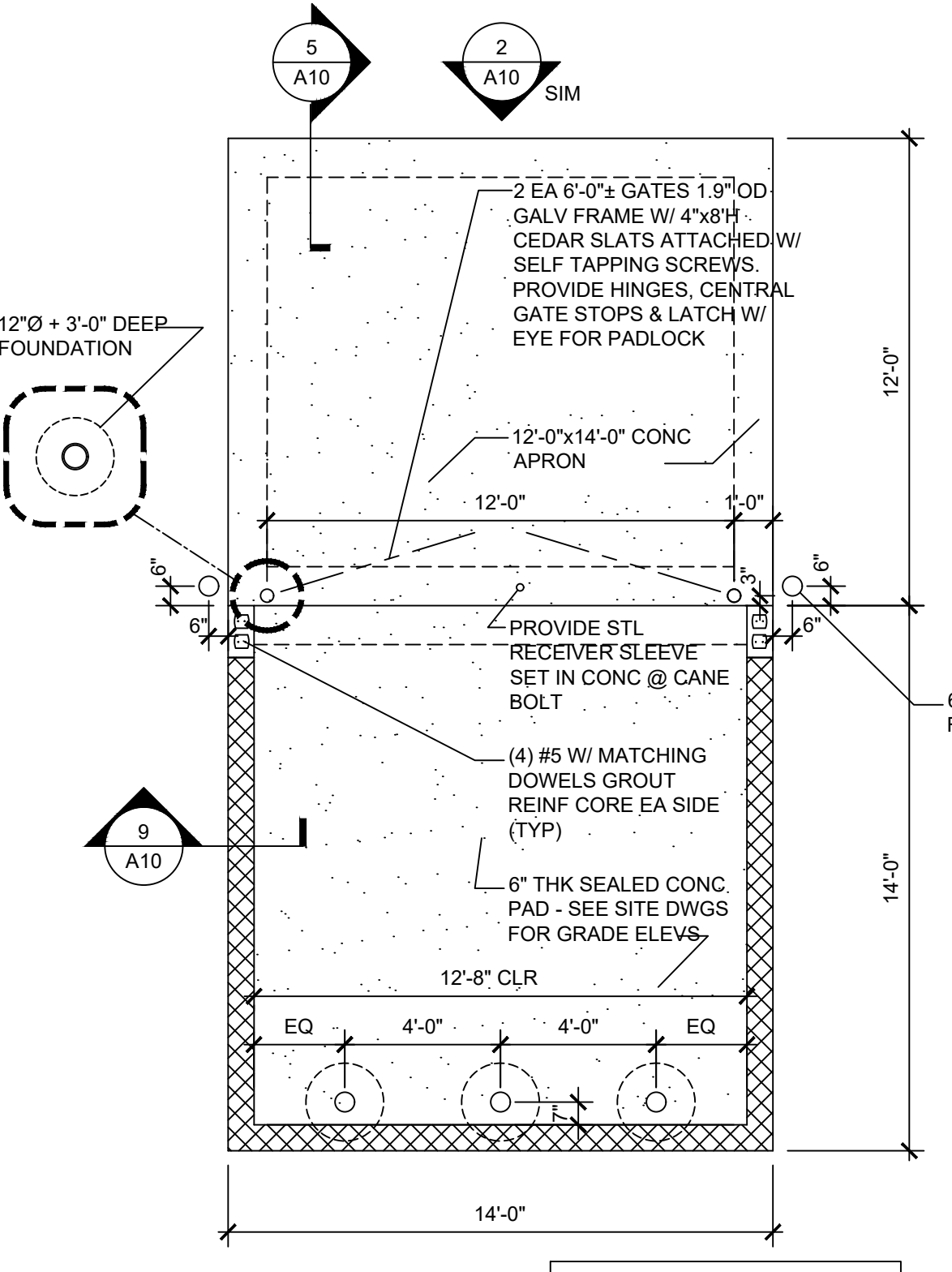
DEPRESSED CURB RAMP
 N.T.S. KHA DETAIL NO: 02.109.R02 XX



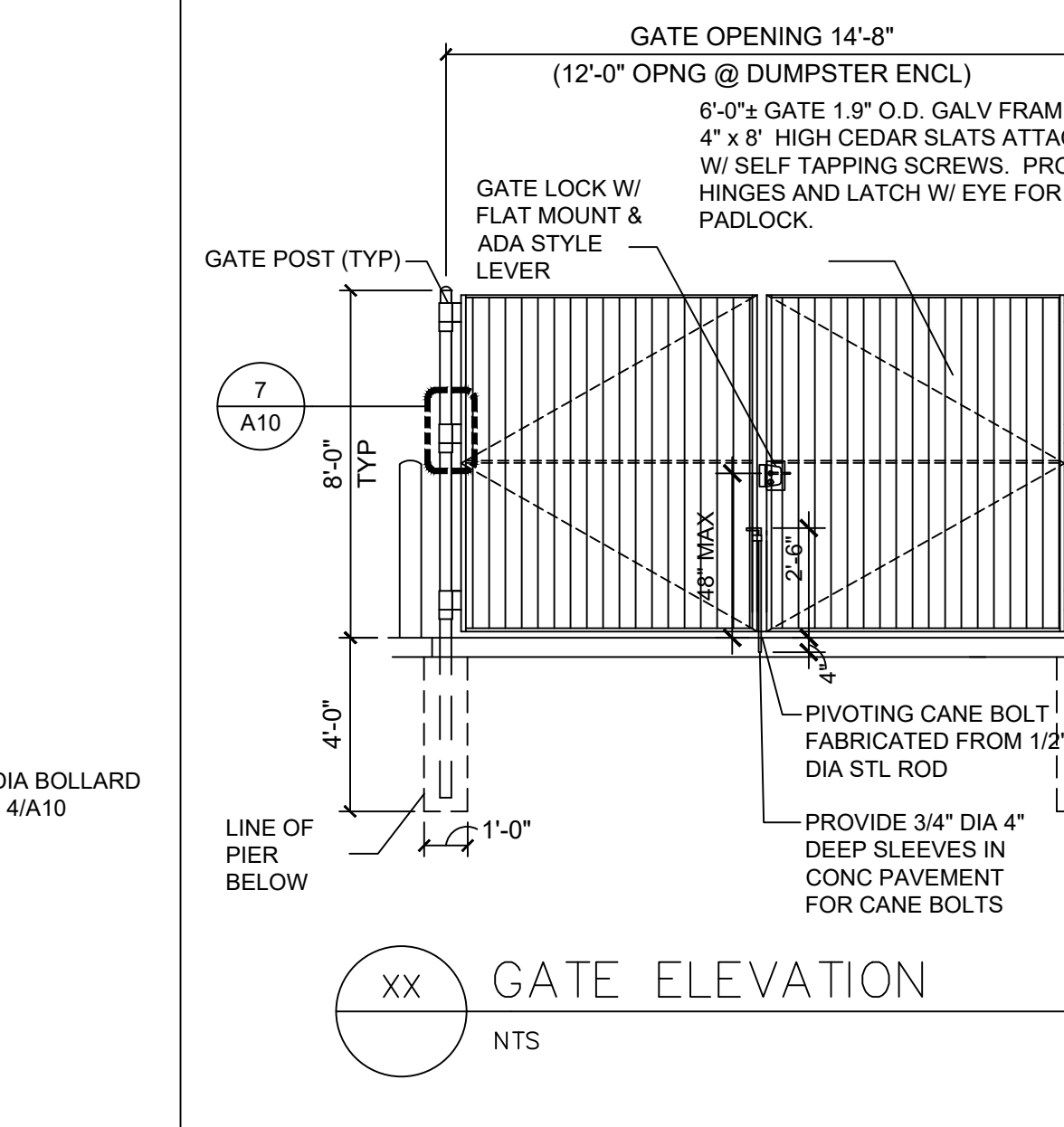
SIDEWALK
 N.T.S. KHA DETAIL NO: 02.103.R02 XX



ENCLOSURE SECTION
 N.T.S.



DUMPSTER ENCLOSURE PLAN
 N.T.S.



GATE ELEVATION
 N.T.S.

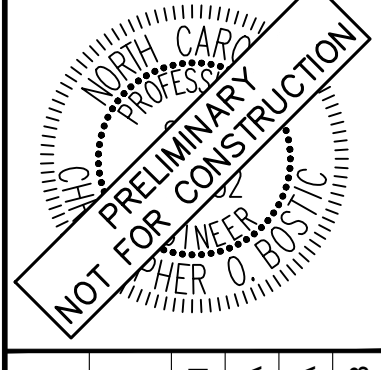
39. Please provide a detail for the bollards being proposed on site or remove from plans if they are no longer needed with the addition of Wheel Stops

SURVEY NOTE:
 EXISTING TOPOGRAPHICAL INFORMATION IS BASED ON A TOPOGRAPHIC SURVEY OBTAINED ON 02/23/2023 BY CMP PROFESSIONAL LAND SURVEYORS, 333 S. WHITE STREET, WAKE FOREST, NC, 27588. PHONE: (919) 556-3148. CONTRACTOR SHALL BE RESPONSIBLE FOR VERIFYING ALL EXISTING INFORMATION, DEPICTED OR NOT, PRIOR TO CONSTRUCTION AND REPORT POTENTIAL CONFLICTS TO OWNER AND ENGINEER.



NO.	REVISIONS	DATE	BY

Kimley-Horn
 © 2023 KIMLEY-HORN AND ASSOCIATES, INC.
 #F-0102 WWW.KIMLEY-HORN.COM PHONE: 919.677.2000 FAX: 919.677.2050
 421 FAYETTEVILLE STREET, SUITE 600, RALEIGH, NC 27601



KHA PROJECT	013031004
DATE	09/29/2023
SCALE	AS SHOWN
DESIGNED BY	JAA
DRAWN BY	JAA
CHECKED BY	COB

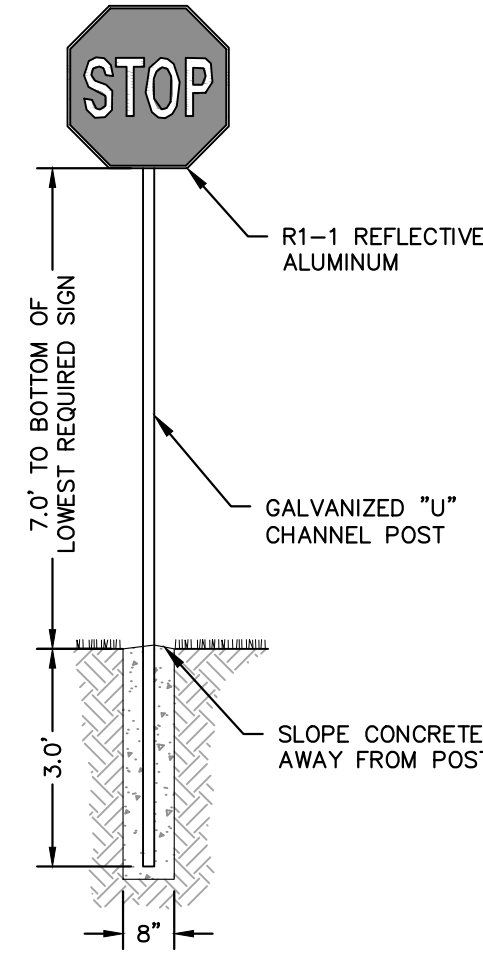
SITE DETAILS

THE LEARNING CENTER ROLESVILLE
 PREPARED FOR
ROLESVILLE, LLC.
 TOWN OF ROLESVILLE
 NORTH CAROLINA

SHEET NUMBER
C8.0

SDP-23-07

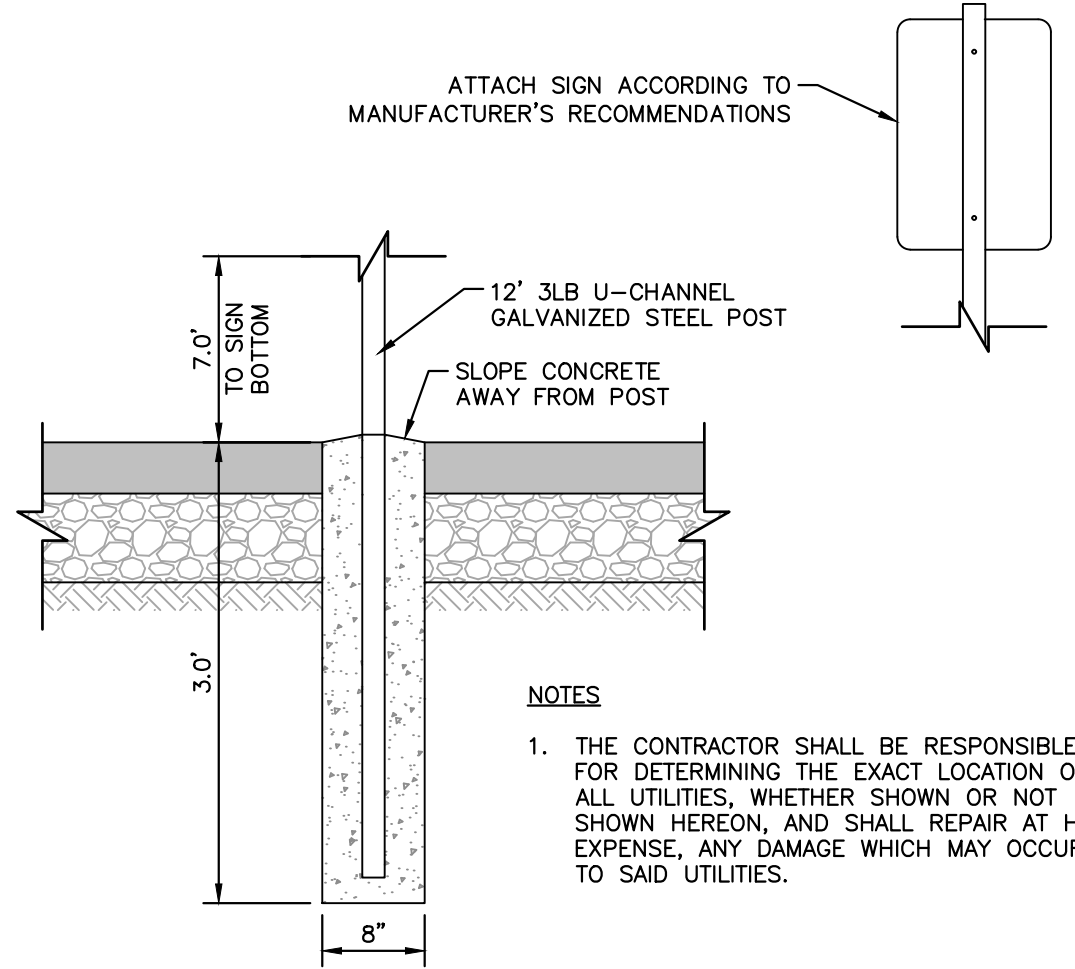
Plotted By: Alexander, Jamal Sheet Set: THE LEARNING CENTER ROLESVILLE Layout: 08.1 SITE DETAILS January 02, 2024 08:07:01pm K:\RAL_LDEV\013031004_Rolesville_Learning_Center\010_CAD Files\Plan\Sheet\CR4 SITE DETAILS.dwg
 This document, together with the concepts and designs presented herein, is an instrument of service, is intended only for the specific purpose and client for which it was prepared. Reuse of and improper reliance on this document without written authorization and adaptation by Kimley-Horn and Associates, Inc. shall be without liability to Kimley-Horn and Associates, Inc.



NOTES

1. THE CONTRACTOR SHALL BE RESPONSIBLE FOR DETERMINING THE EXACT LOCATION OF ALL UTILITIES, WHETHER SHOWN OR NOT SHOWN HEREON, AND SHALL REPAIR AT HIS EXPENSE, ANY DAMAGE WHICH MAY OCCUR TO SAID UTILITIES

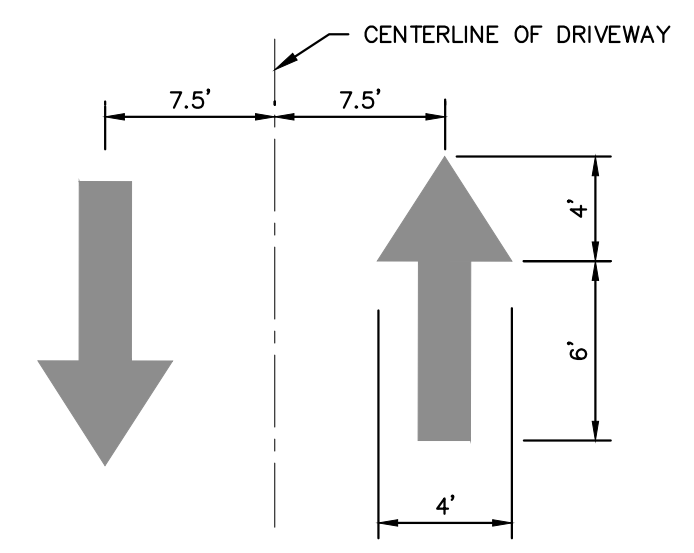
STOP SIGN
N.T.S. KHA DETAIL NO: 02.301.R01 XX



NOTES

1. THE CONTRACTOR SHALL BE RESPONSIBLE FOR DETERMINING THE EXACT LOCATION OF ALL UTILITIES, WHETHER SHOWN OR NOT SHOWN HEREON, AND SHALL REPAIR AT HIS EXPENSE, ANY DAMAGE WHICH MAY OCCUR TO SAID UTILITIES.

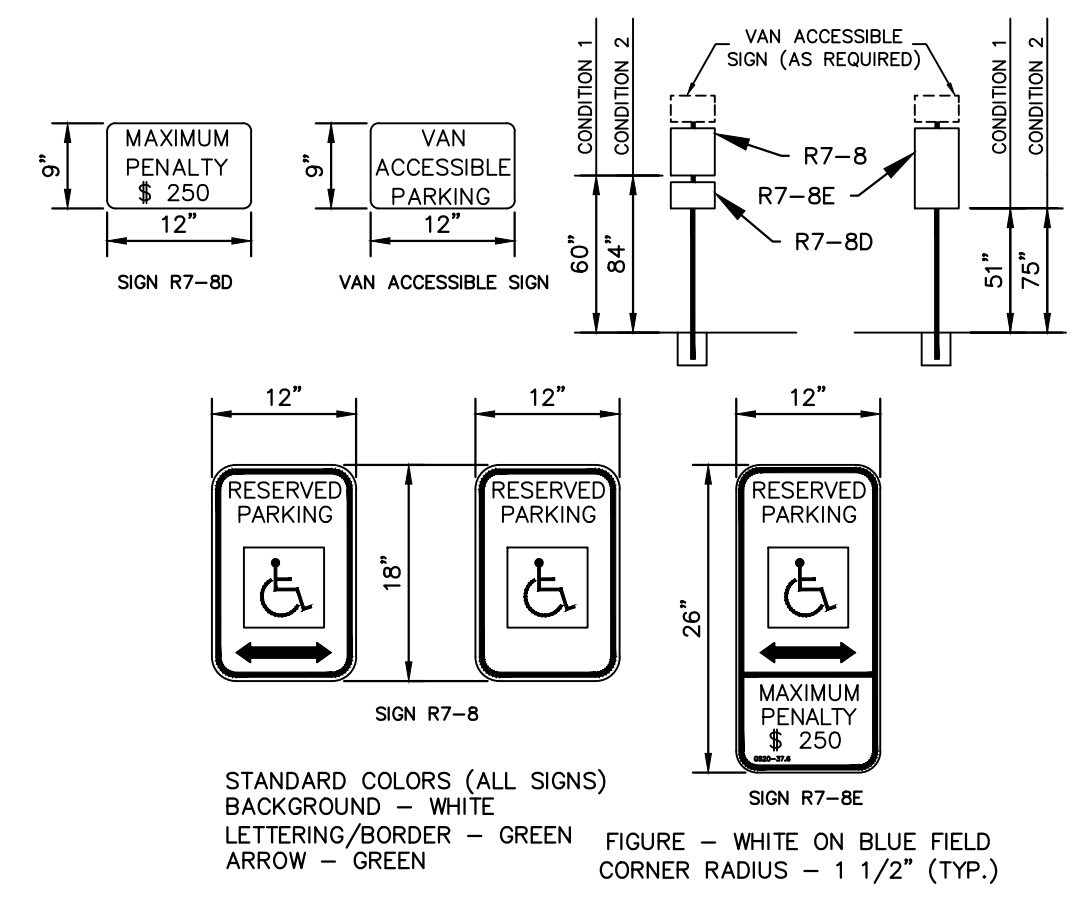
SIGN POST
N.T.S. KHA DETAIL NO: 02.304.R02 XX



NOTES

1. ALL PAVEMENT DIRECTIONAL ARROWS TO BE REFLECTIVE WHITE PAINT

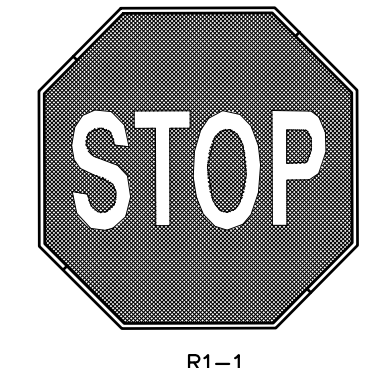
PAVEMENT DIRECTIONAL ARROW
N.T.S. KHA DETAIL NO: 02.306.R01 XX



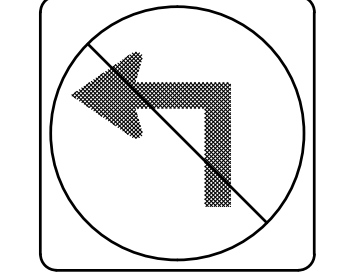
STANDARD COLORS (ALL SIGNS)
BACKGROUND - WHITE
LETTERING/BORDER - GREEN
ARROW - GREEN

FIGURE - WHITE ON BLUE FIELD
CORNER RADIUS - 1 1/2" (TYP.)

ACCESSIBLE SIGN
N.T.S. KHA DETAIL NO: 02.308.R01 XX

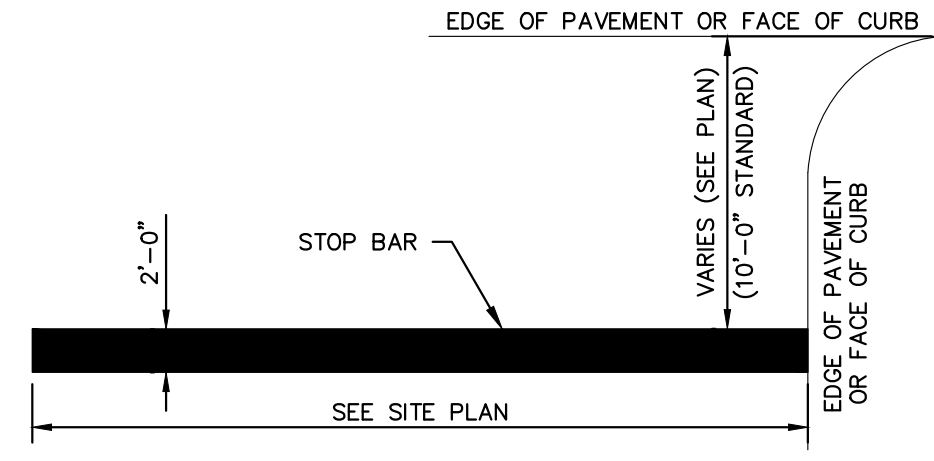


R1-1
30"x30"
MUTCD R1-1 STOP SIGN



R3-2
24"x24"
MUTCD R3-2 NO LEFT TURN SIGN

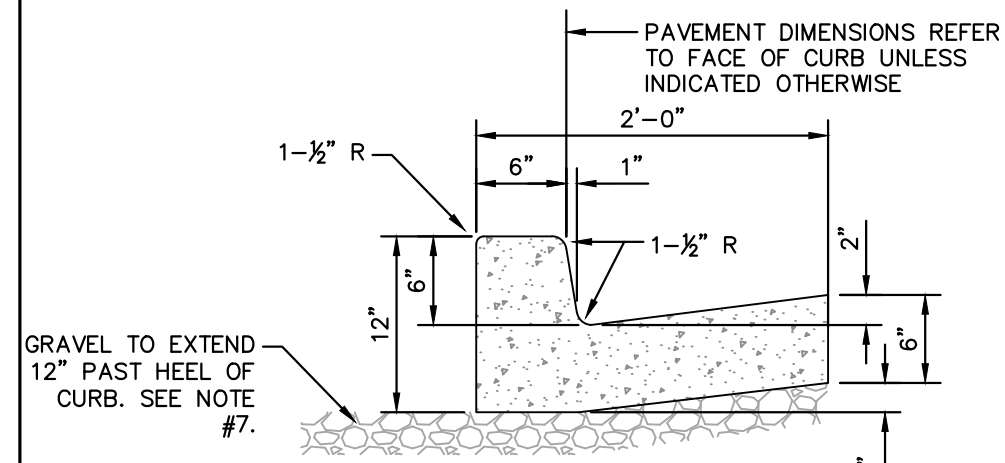
MUTCD STOP & NO LEFT TURN SIGNS
N.T.S. KHA DETAIL NO: 02.302.R01 XX



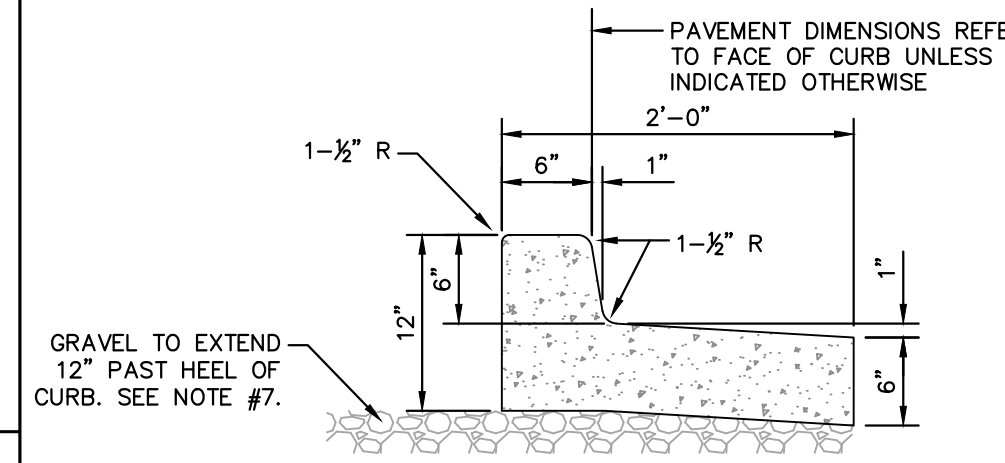
NOTES

1. ALL STOP BARS TO HAVE 2 COATS REFLECTIVE WHITE PAINT.

STOP BAR MARKING
N.T.S. KHA DETAIL NO: 02.307.R01 XX



CATCHING CURB AND GUTTER



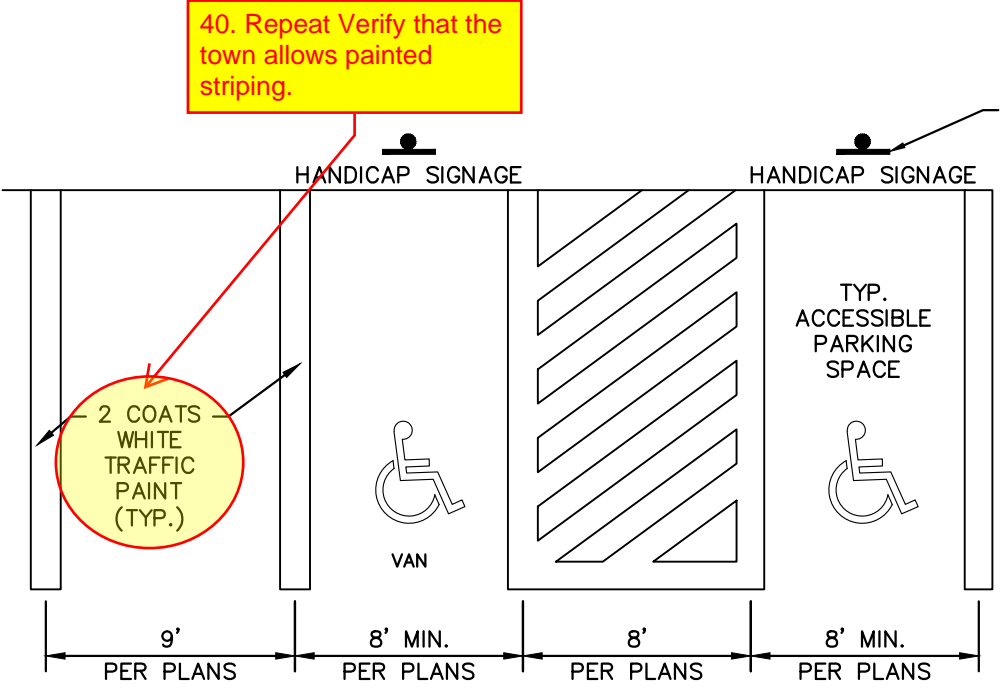
DRY CURB AND GUTTER

NOTE:
INSTALL SPILL CURB IN AREAS WHERE PAVEMENT SLOPES AWAY FROM CURB.

CURB AND GUTTER NOTES

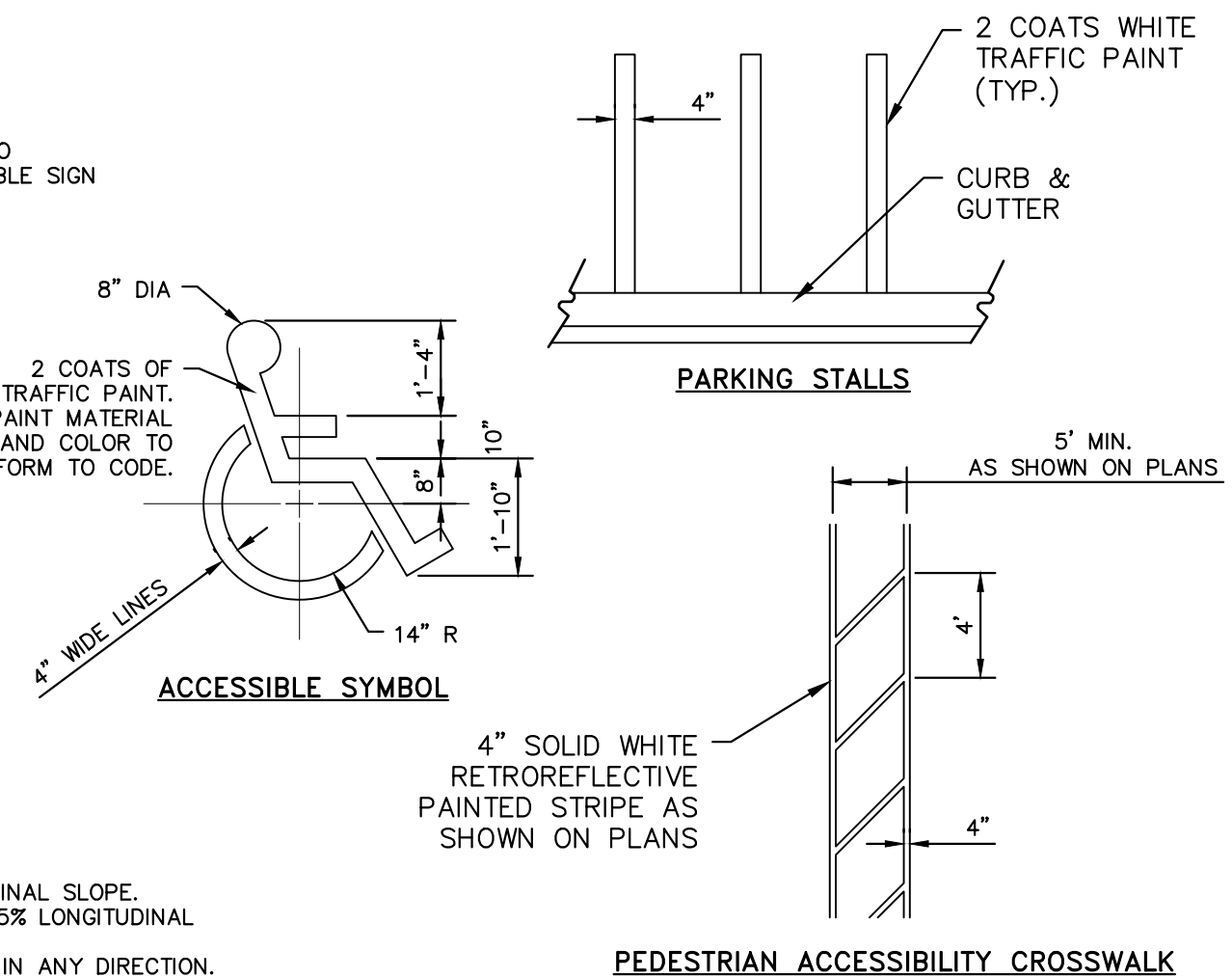
1. CONTRACTION JOINTS SHALL BE SPACED AT 10-FOOT INTERVALS. JOINT SPACING MAY BE ALTERED BY THE ENGINEER TO PREVENT UNCONTROLLED CRACKING.
2. CONTRACTION JOINTS MAY BE INSTALLED BY THE USE OF TEMPLATES OR FORMED BY OTHER APPROVED METHODS. WHERE SUCH JOINTS ARE NOT FORMED BY TEMPLATES, A MINIMUM DEPTH OF 1 1/2" SHALL BE OBTAINED.
3. ALL EXPANSION JOINTS SHALL BE SPACED AT 90 FOOT INTERVALS, AND ADJACENT TO ALL RIGID OBJECTS. JOINTS SHALL MATCH LOCATIONS WITH JOINTS IN ABUTTING SIDEWALK.
4. CONCRETE COMPRESSIVE STRENGTH SHALL BE 3000 P.S.I. IN 28 DAYS.
5. CURB SHALL BE DEPRESSED AT INTERSECTIONS TO PROVIDE FOR FUTURE ACCESSIBLE RAMPS, REFER TO SITE PLAN FOR LOCATIONS.
6. TOP 6" OF SUBGRADE BENEATH THE CURB AND GUTTER SHALL BE COMPACTED TO 95% STANDARD PROCTOR DENSITY.
7. EXTEND GRAVEL 12" PAST HEEL OF CURB IF REQUIRED PER GEOTECHNICAL RECOMMENDATIONS, MIN. DEPTH 4" IF FIELD CONDITIONS WARRANT.

24" CURB AND GUTTER
N.T.S. KHA DETAIL NO: 02.203.R01 XX



- NOTES**
1. SEE SITE DEVELOPMENT PLAN FOR PARKING DIMENSIONS AND LAYOUT
 2. DIMENSIONS SHOWN ARE MINIMUMS
 3. ALL STRIPING TO CONFORM TO THE APPLICABLE LOCAL AND FEDERAL CODES
 4. SIDEWALKS TO HAVE MAXIMUM 2% CROSS SLOPE AND A MAXIMUM 5% LONGITUDINAL SLOPE.
 5. PEDESTRIAN CROSSWALKS TO HAVE MAXIMUM 2% CROSS SLOPE AND MAXIMUM 5% LONGITUDINAL SLOPE WITHIN STRIPED AREA.
 6. ADA PARKING AREAS AND ACCESSIBLE AREAS TO HAVE A MAXIMUM 2% SLOPE IN ANY DIRECTION.
 7. SIDEWALK INTERSECTIONS AND RAMP LANDINGS TO HAVE A MAXIMUM 2% SLOPE IN ANY DIRECTION.

PAVEMENT STRIPING
N.T.S. KHA DETAIL NO: 02.305.R02 XX



PARKING STALLS

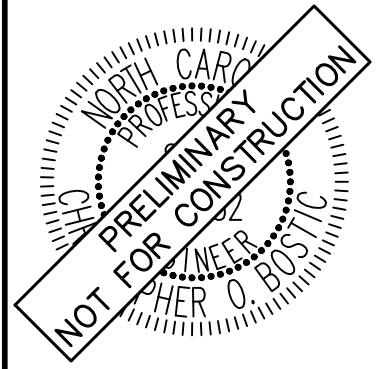
PEDESTRIAN ACCESSIBILITY CROSSWALK

SURVEY NOTE:
EXISTING TOPOGRAPHICAL INFORMATION IS BASED ON A TOPOGRAPHIC SURVEY OBTAINED ON 02/23/2023 BY CMP PROFESSIONAL LAND SURVEYORS, 333 S. WHITE STREET, WAKE FOREST, NC, 27888. PHONE: (919) 556-3148. CONTRACTOR SHALL BE RESPONSIBLE FOR VERIFYING ALL EXISTING INFORMATION, DEPICTED OR NOT, PRIOR TO CONSTRUCTION AND REPORT POTENTIAL CONFLICTS TO OWNER AND ENGINEER.

NO.	REVISIONS	DATE	BY
1			
2			
3			
4			
5			
6			
7			

Kimley»Horn

© 2023 KIMLEY-HORN AND ASSOCIATES, INC.
#F-0102 WWW.KIMLEY-HORN.COM PHONE: 919-677-2000 FAX: 919-677-2050
421 FAYETTEVILLE STREET, SUITE 600, RALEIGH, NC 27601



KHA PROJECT	013031004
DATE	09/29/2023
SCALE	AS SHOWN
DESIGNED BY	JAA
DRAWN BY	JAA
CHECKED BY	COB

SITE DETAILS

THE LEARNING CENTER ROLESVILLE
PREPARED FOR
ROLESVILLE, LLC.
TOWN OF ROLESVILLE NORTH CAROLINA

SHEET NUMBER
C8.1



SDP-23-07

PLOTTED BY: Alexander, Jamal Sheet Set: THE LEARNING CENTER ROLESVILLE, Layout: 03.01 STORM DETAILS January 02, 2024 08:07:13pm K:\RAL_LDE\013031004_Rolesville_Layout\Center\10_CAD Files\Plans\Sheets\03.01 STORM DETAILS.dwg
 This document, together with the concepts and designs presented herein, is an instrument of service, as intended only for the specific purpose and client for which it was prepared. Reuse of and improper reliance on this document without written authorization and adaptation by Kimley-Horn and Associates, Inc. shall be without liability to Kimley-Horn and Associates, Inc.

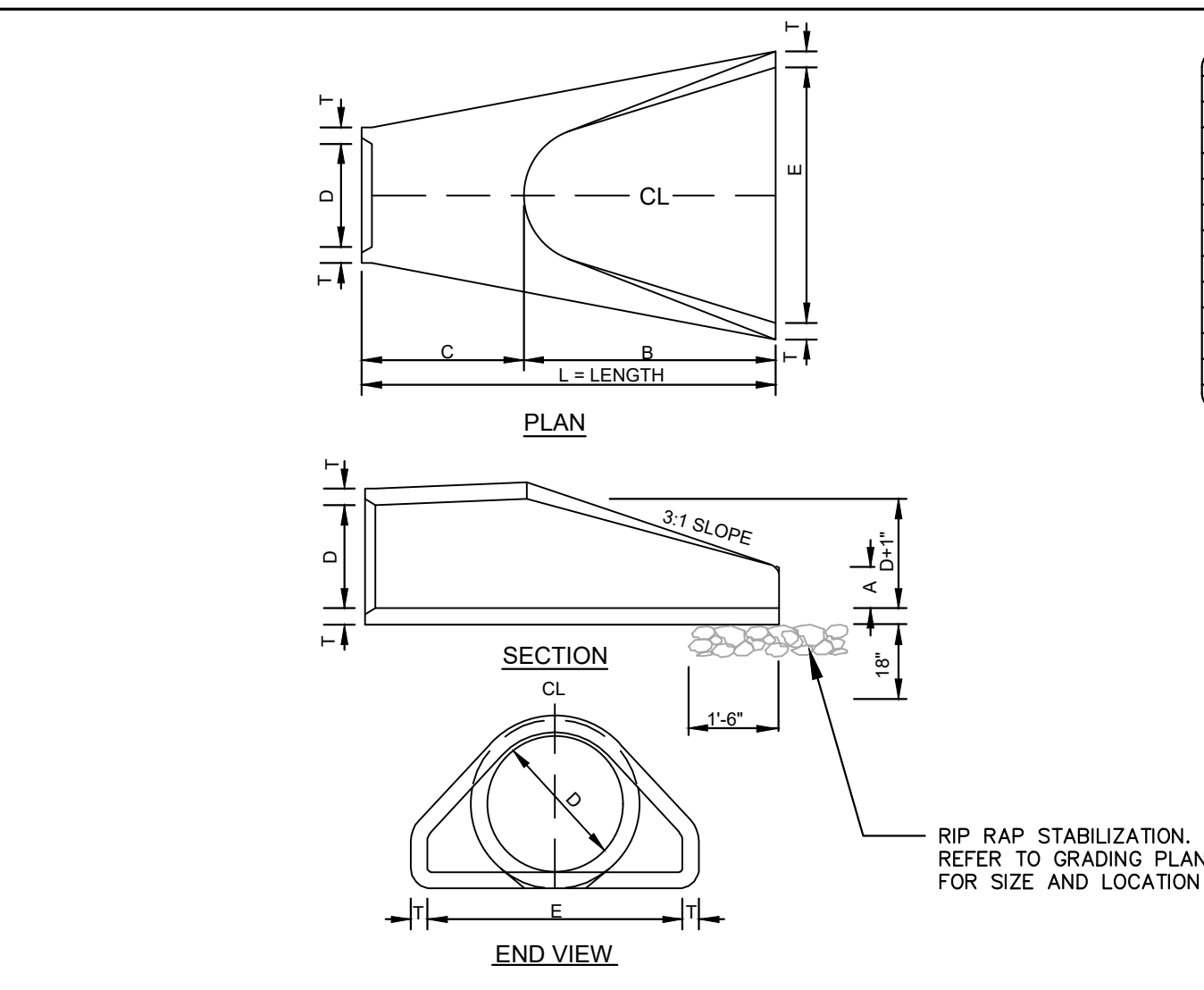


TABLE OF DIMENSIONS

D	T	A	B	C	E	L	WT.
12"	2-1/4"	4"	2'-0"	4'-1"	2'-0"	6'-1"	730
15"	2-1/4"	6"	2'-3"	3'-10"	2'-0"	6'-1"	730
18"	2-1/2"	9"	2'-3"	3'-10"	3'-0"	6'-1"	1190
24"	3"	10"	3'-8"	2'-8"	4'-0"	8'-2"	1770
30"	3-1/2"	1'-0"	4'-8"	1'-8"	5'-0"	8'-2"	2380
36"	4"	1'-3"	5'-3"	2'-11"	6'-0"	8'-2"	5320
42"	4-1/2"	1'-9"	5'-3"	2'-11"	6'-6"	8'-2"	5920
48"	5"	2'-0"	6'-0"	2'-2"	7'-0"	8'-2"	7470
54"	5-1/2"	2'-3"	6'-8"	2'-10"	7'-2"	8'-4"	8810
60"	6"	2'-6"	6'-0"	3'-3"	8'-0"	8'-3"	11180
66"	6-1/2"	3'-0"	6'-0"	3'-3"	8'-6"	8'-3"	12530
72"	7"	3'-0"	6'-6"	1'-9"	9'-0"	8'-3"	13980

GENERAL NOTES:

- SEE FORMER NCDOT STANDARD 310.01 FOR DETAILS.
- REINFORCEMENT SHALL CONFORM TO THE REQUIREMENTS OF REINFORCED CONCRETE PIPE OF LIKE DIAMETER PER AASHTO M170.
- ALL CONCRETE TO BE 3000 P.S.I COMPRESSIVE STRENGTH MIN.
- PROVIDE TONGUE OR SPIGOT JOINT AT INLET END SECTION.
- PROVIDE GROOVE OR BELL JOINT AT OUTLET END SECTION.
- THE DIMENSIONS FOR END SECTIONS SHALL SUBSTANTIALLY AGREE WITH THE TABLE. MINOR VARIATIONS WILL BE PERMITTED BASED ON THE MANUFACTURER'S STANDARD SPECIFICATIONS.
- NOT TO BE USED IN NCDOT MAINTAINED RIGHT OF WAY.

KHA DETAIL NO: 01.905.R01 XX

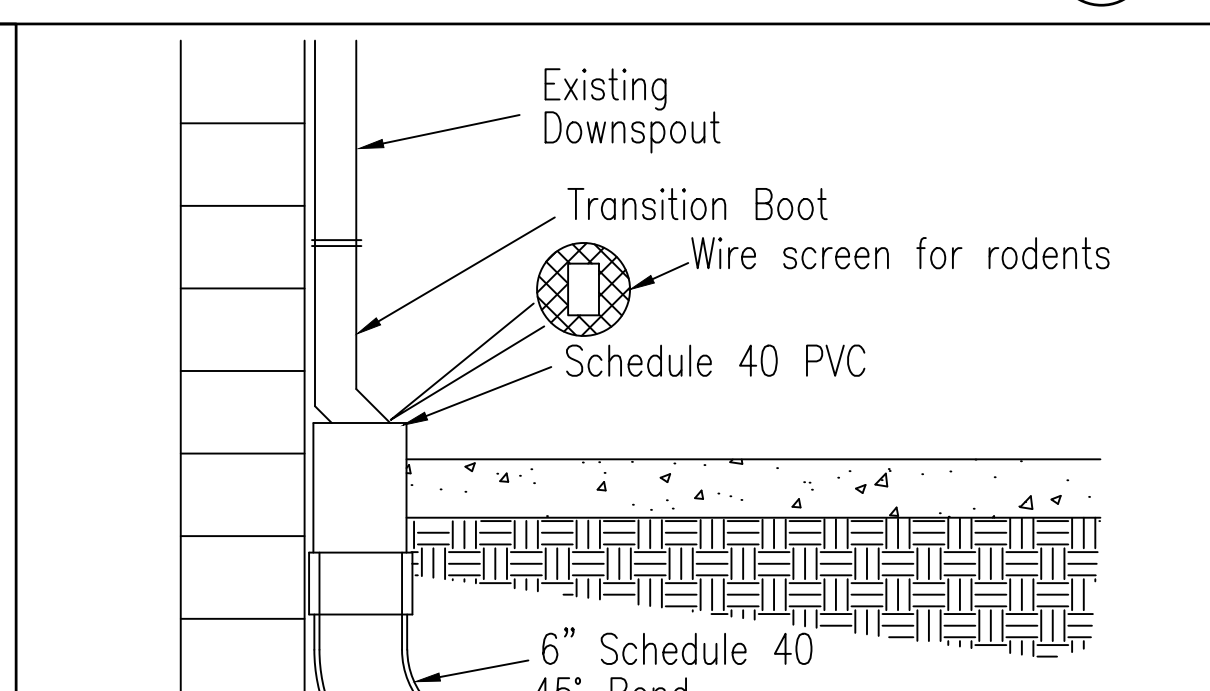
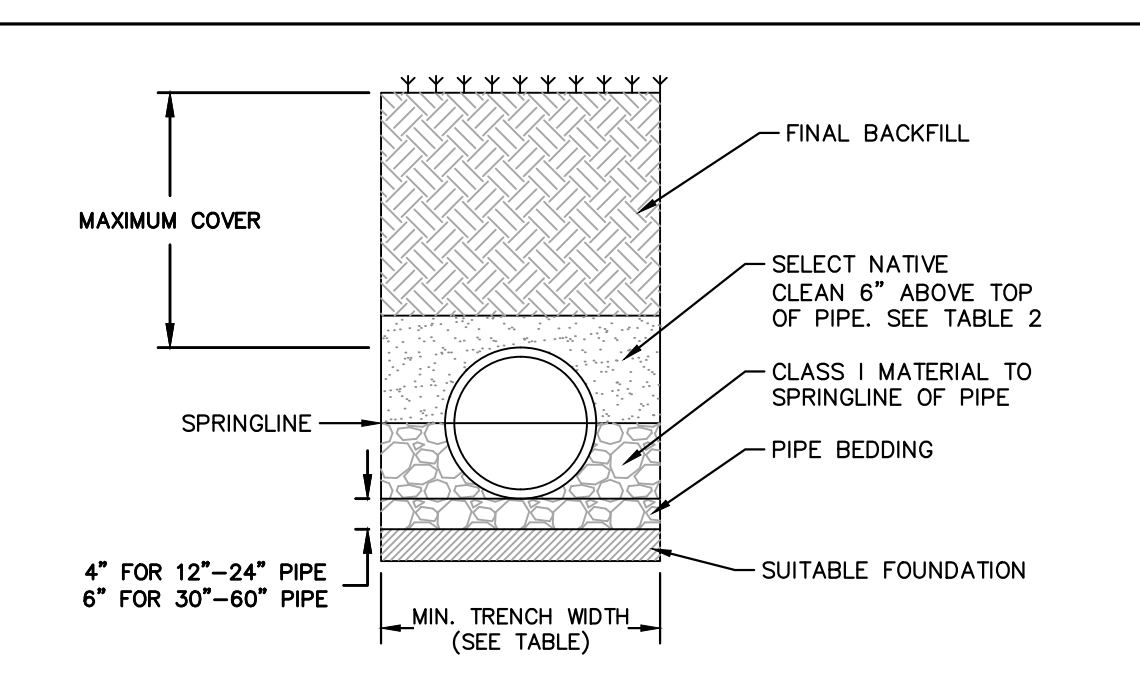
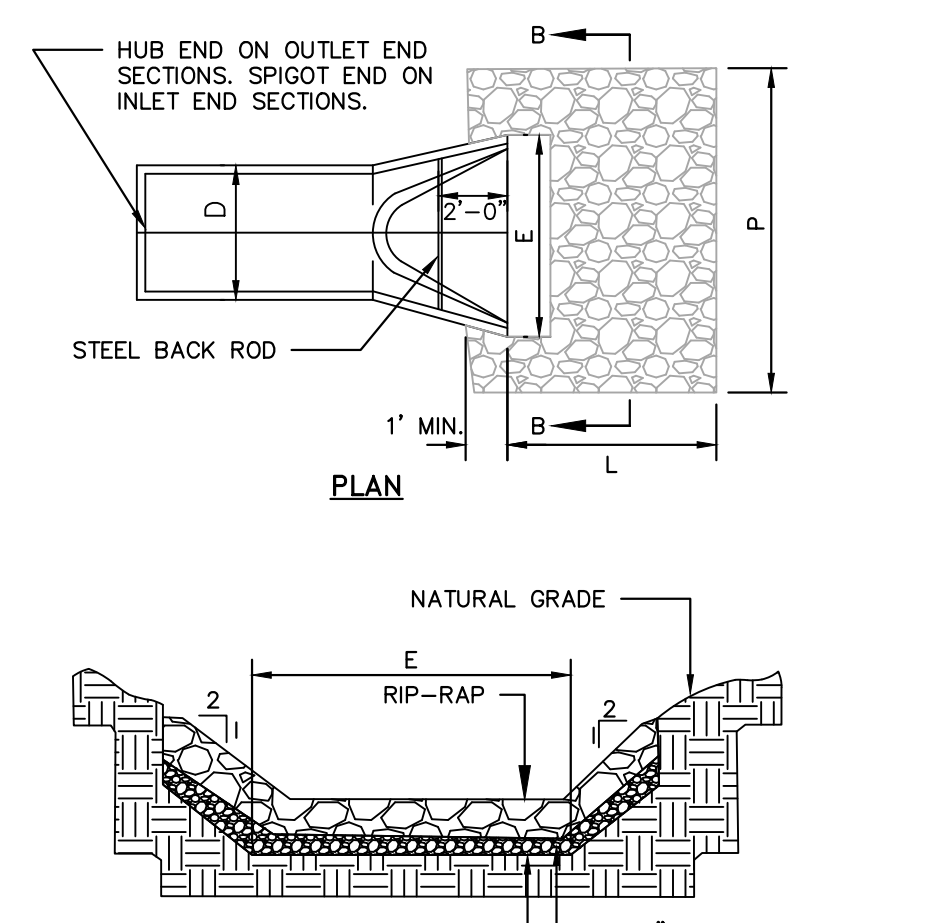


TABLE 2, RECOMMENDED MINIMUM TRENCH WIDTHS

PIPE DIAM. (INCHES)	MIN. TRENCH WIDTH (INCHES)
12"	17"
15"	17"
18"	17"
24"	17"
30"	17"
36"	17"
42"	17"
48"	17"
54"	17"
60"	17"
66"	17"
72"	17"

TABLE 2, MAXIMUM COVER FOR ADS HP STORM PIPE, ALTERNATE INSTALLATION, (rs=120)

PIPE DIAM.	CLASS II	CLASS III	CLASS IV
12"	1.7	1.4	1.1
15"	3.2m	4.3m	3.4m
18"	1.7	1.4	1.1
24"	6	4.3m	3.0m
30"	6	4.0m	3.0m
36"	4.9m	4.0m	3.0m
42"	4	1.7	9
48"	4.3m	3.7m	2.7m
54"	1.3	1.2	8
60"	4.0m	3.7m	2.4m
66"	3.4m	3.4m	2.1m
72"	3.4m	3.4m	2.1m
78"	11	10	6
84"	3.4m	3.0m	1.8m
90"	11	10	6
96"	3.4m	3.0m	1.8m
102"	11	10	6
108"	3.4m	3.0m	1.8m
114"	11	10	6
120"	3.4m	3.0m	1.8m

FILL HEIGHT TABLE GENERATED ASSUMING DRY CONDITIONS, OUTSIDE OF WATER TABLE. FOR INSTALLATION WITHIN THE WATER TABLE, CONTACT APPLICATIONS ENGINEERING.

- NOTES:**
- MEASURES SHOULD BE TAKEN TO PREVENT MIGRATION OF NATIVE FINES INTO BACKFILL MATERIAL, WHEN REQUIRED.
 - SOIL CLASSIFICATIONS ARE PER THE LATEST VERSION OF ASTM D2321. CLASS I/IV MATERIALS (MH, CH) AS DEFINED IN PREVIOUS VERSIONS OF ASTM D2321 ARE NOT APPROPRIATE BACKFILL MATERIALS.
 - FOUNDATION:** WHERE THE TRENCH BOTTOM IS UNSTABLE, THE CONTRACTOR SHALL EXCAVATE TO A DEPTH REQUIRED BY THE ENGINEER AND REPLACE WITH SUITABLE MATERIAL AS SPECIFIED BY THE ENGINEER. AS AN ALTERNATIVE AND AT THE DISCRETION OF THE DESIGN ENGINEER, THE TRENCH BOTTOM MAY BE STABILIZED USING A GEOTEXTILE MATERIAL.
 - BEDDING:** SUITABLE MATERIAL SHALL BE CLASS I. THE CONTRACTOR SHALL PROVIDE DOCUMENTATION FOR MATERIAL SPECIFICATION TO ENGINEER, UNLESS OTHERWISE NOTED BY THE ENGINEER. MINIMUM BEDDING THICKNESS SHALL BE 4" (100mm) FOR 4"-24" (100mm-600mm); 6" (150mm) FOR 30"-60" (750mm-1500mm).
 - BACKFILL:** FOR PIPES OUTSIDE OF PAVEMENT CLASS I MATERIAL TO BE USED FOR BACKFILL UP TO THE SPRINGLINE OF PIPE. THE CONTRACTOR SHALL PROVIDE DOCUMENTATION FOR MATERIAL SPECIFICATION TO ENGINEER, UNLESS OTHERWISE NOTED BY THE ENGINEER. CLASS I MATERIAL MUST BE COMPACTED IN 6" (200mm) LIFTS.
 - MINIMUM COVER:** MINIMUM COVER, H, IN NON-TRAFFIC APPLICATIONS (GRASS OR LANDSCAPE AREAS IS 12" (300mm) FROM THE TOP OF PIPE TO GROUND SURFACE. ADDITIONAL COVER MAY BE REQUIRED TO PREVENT FLOTATION.
 - SELECT NATIVE CLEAN BACKFILL SHALL BE WELL PLACED, MODERATELY COMPACTED (85% SPD) CLASS IV OR BETTER PER ASTM D2321 WITH NO FOREIGN DEBRIS INCLUDING ROCKS, LARGE CLUMPS ORGANIC MATERIAL, OR FROZEN MATERIAL.
 - HP STORM ALTERNATE TRENCH DETAIL ONLY APPLIES TO BACKFILL INSTALLATIONS IN NON-TRAFFIC APPLICATIONS PER TN 2.04A. ALTERNATE TRENCH USE MUST BE APPROVED BY DESIGN ENGINEER. DETAIL DOES NOT SUPERSEDE ADS STANDARD DETAIL STD-108.
- HP STORM TRENCH INSTALLATION DETAIL
N.T.S. KHA DETAIL NO: 03.101.R01 XX

SIZING CHART

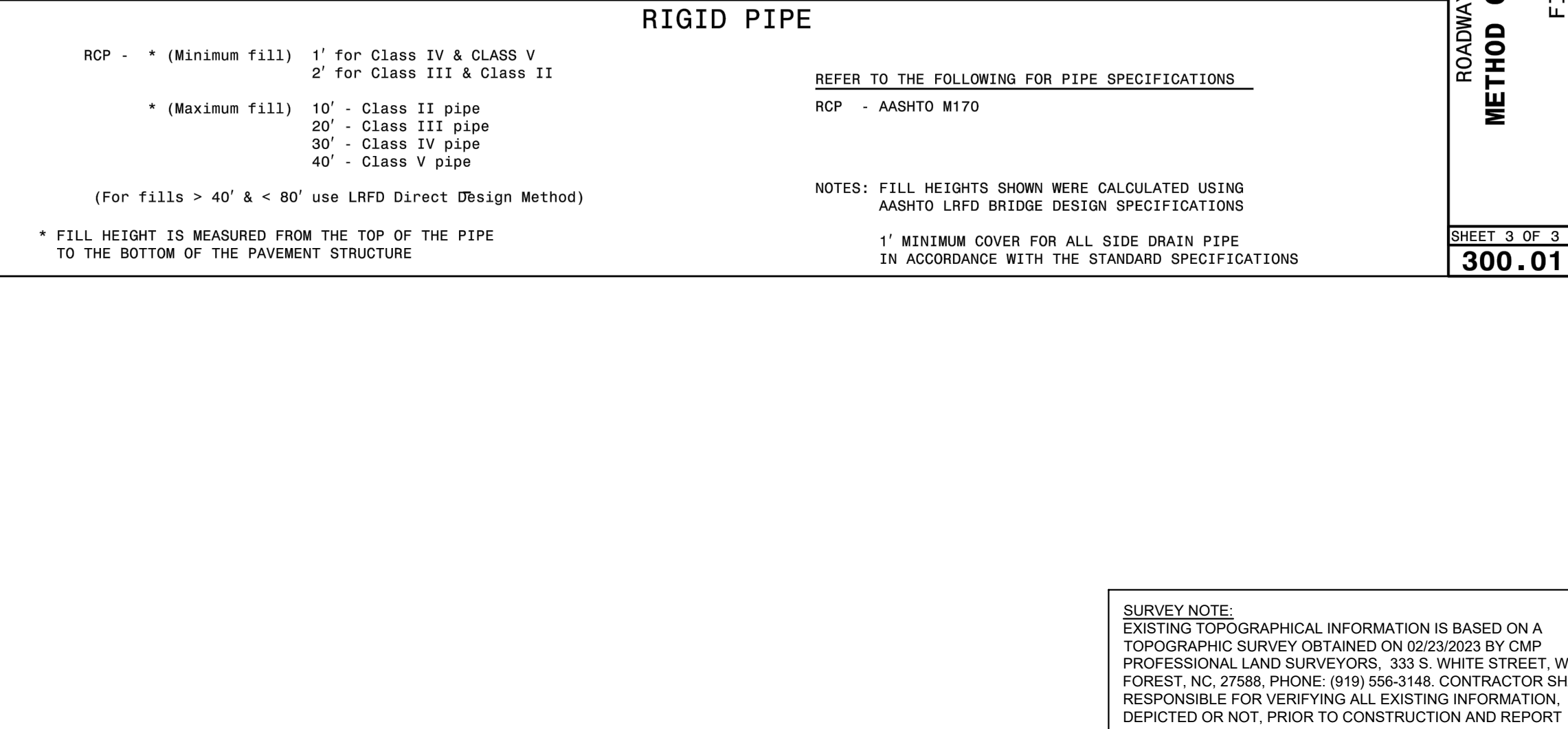
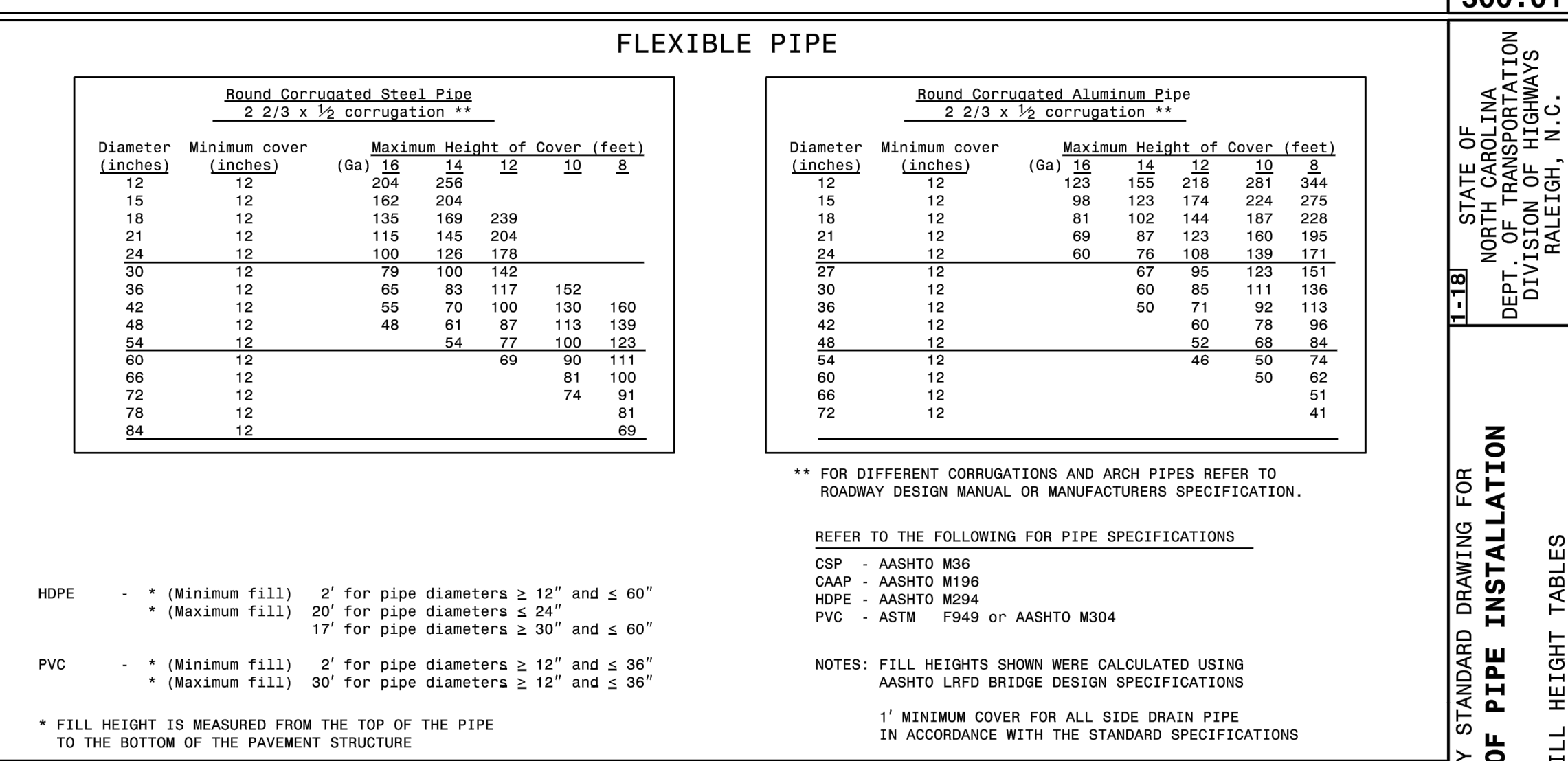
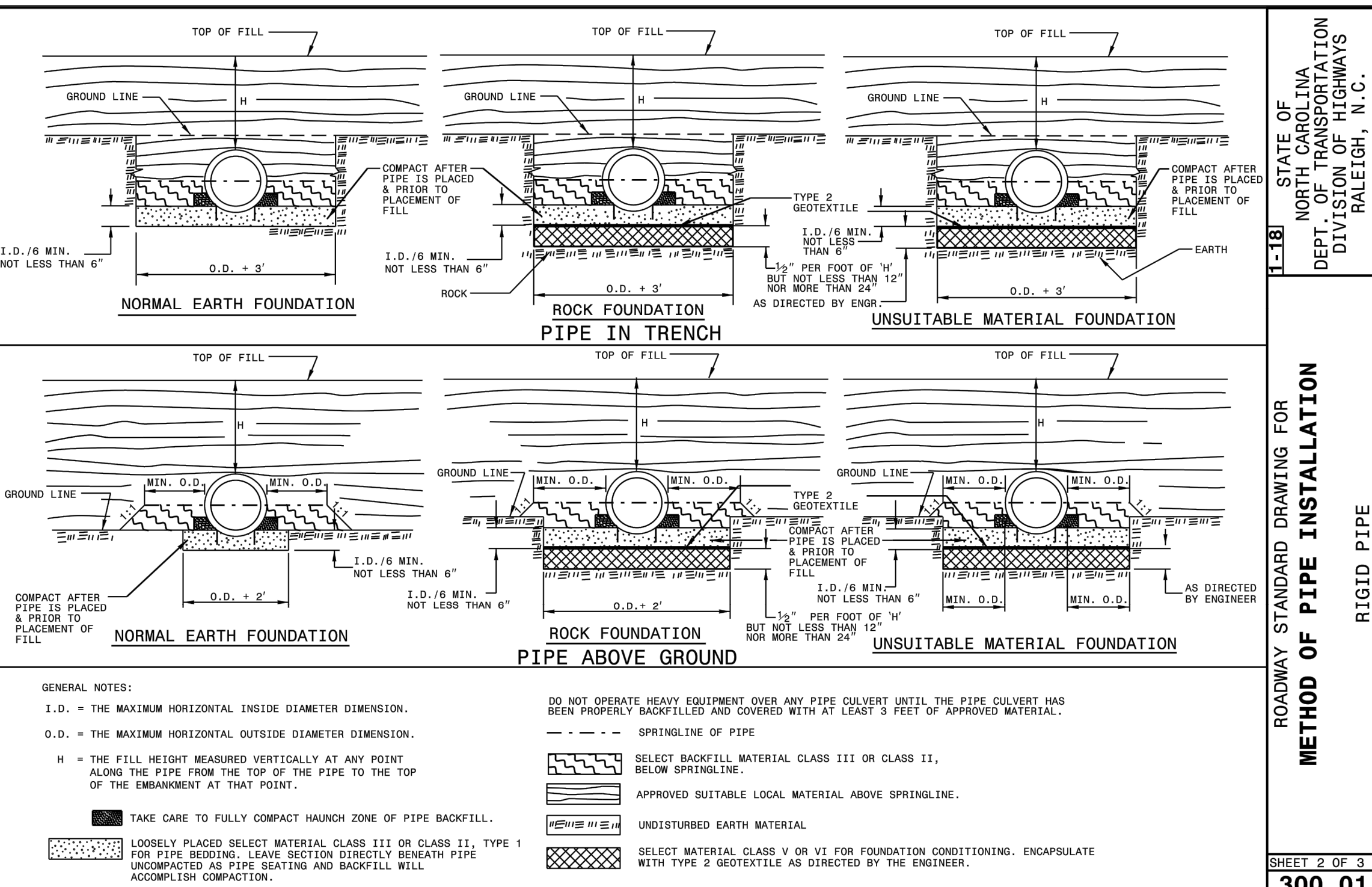
STRUCTURE	Q-FULL (CFS)	E (FT)	P (FT)	D (IN)	STONE THICKNESS (IN)	STONE DIAMETER (IN)	STONE CLASS	VELOCITY (FPS)	
DRIVEWAY CULVERT	4.58	3.75	5	6.25	15	12	3	A	3.73
FES-1	16.04	6	8	10	24	12	3	A	5.11
FES-2	16.04	6	8	10	24	12	3	A	5.11

NOTES:

- THE LENGTHS OF THE RIP-RAP APRONS WERE DETERMINED BY USING THE NEW YORK DOT DISSIPATOR METHOD, AS OUTLINED IN SECTION 8.06 OF THE NCDOT EROSION CONTROL MANUAL.
- RIP-RAP APRONS DESIGNED FOR FULL FLOW CAPACITY

- NOTES:**
- END OF THE PIPE OR CULVERT AT THE DISCHARGE OUTLET AT A MAXIMUM SLOPE OF 2:1 AND A HEIGHT NOT LESS THAN TWO THIRDS THE PIPE DIAMETER OR CULVERT HEIGHT.
 - THERE SHALL BE NO OVERFLOW FROM THE END OF THE APRON TO THE SURFACE OF THE RECEIVING CHANNEL. THE AREA TO BE PAVED OR RIP-RAPPED SHALL BE UNDERLAIN SO THAT THE INVERT OF THE APRON SHALL BE AT THE SAME GRADE (FLUSH) WITH THE SURFACE OF THE RECEIVING CHANNEL. THE APRON SHALL HAVE A CUTOFF OR TOE WALL AT THE DOWNSLOPE END.
 - THE WIDTH OF THE END OF THE APRON SHALL BE EQUAL TO THE BOTTOM WIDTH OF THE RECEIVING CHANNEL.
 - MAXIMUM TAPER TO RECEIVING CHANNEL 5:1.
 - ALL SUBGRADE BELOW THE STRUCTURE TO BE COMPACTED TO 95% OR GREATER.
 - THE PLACING OF FILL, EITHER LOOSE OR COMPACTED IN THE RECEIVING CHANNEL SHALL NOT BE ALLOWED.
 - NO BENDS OR CURVES IN THE HORIZONTAL ALIGNMENT OF THE APRON WILL BE PERMITTED.
- MAINTENANCE NOTES:**
- IN GENERAL, ONCE A RIPRAP INSTALLATION HAS BEEN PROPERLY DESIGNED AND INSTALLED IT REQUIRES VERY LITTLE MAINTENANCE. RIPRAP SHOULD BE INSPECTED PERIODICALLY FOR SCOUR OR DISLOADED STONES. CONTROL OF WEED AND BRUSH GROWTH MAY BE NEEDED IN SOME LOCATIONS.

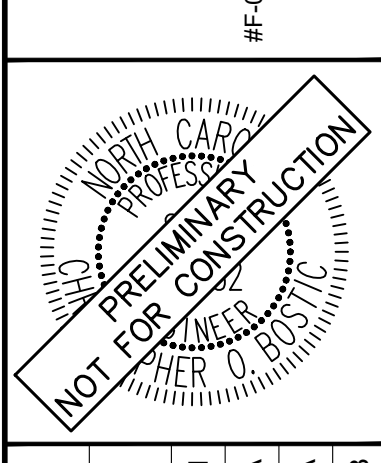
- CONSTRUCTION SPECIFICATIONS:**
- ENSURE THAT THE SUBGRADE FOR THE FILTER AND RIPRAP FOLLOWS THE REQUIRED LINES AND GRADES SHOWN IN THE PLAN. COMPACT ANY FILL REQUIRED IN THE SUBGRADE TO THE DENSITY OF THE SURROUNDING UNDISTURBED MATERIAL. LOW AREAS IN THE SUBGRADE ON UNDISTURBED SOIL MAY ALSO BE FILLED BY INCREASING THE RIPRAP THICKNESS.
 - THE RIPRAP AND GRAVEL FILTER MUST CONFORM TO THE SPECIFIED GRADING LIMITS SHOWN ON THE PLANS.
 - FILTER CLOTH, WHEN USED, MUST MEET DESIGN REQUIREMENTS AND BE PROPERLY PROTECTED FROM PUNCHING OR TEARING DURING INSTALLATION. REPAIR ANY DAMAGE BY REMOVING THE RIPRAP AND PLACING ANOTHER PIECE OF FILTER CLOTH OVER THE DAMAGED AREA. ALL CONNECTING JOINTS SHOULD OVERLAP SO THE TOP LAYER IS ABOVE THE DOWNSLOPE LAYER A MINIMUM OF 1 FOOT. IF THE DAMAGE IS EXTENSIVE, REPLACE THE ENTIRE FILTER CLOTH.
 - RIPRAP MAY BE PLACED BY EQUIPMENT, BUT TAKE CARE TO AVOID DAMAGING THE FILTER.
 - THE MINIMUM THICKNESS OF THE RIPRAP SHOULD BE 1.5 TIMES THE MAXIMUM STONE DIAMETER.
 - RIPRAP MAY BE FIELD STONE OR ROUGH QUARRY STONE. IT SHOULD BE HARD, ANGULAR, HIGHLY WEATHER-RESISTANT AND WELL GRADED.
 - CONSTRUCT THE APRON ON ZERO GRADE WITH NO OVERFILL AT THE END. MAKE THE TOP OF THE RIPRAP AT THE DOWNSLOPE END LEVEL WITH THE RECEIVING AREA OR SLIGHTLY BELOW IT.
 - ENSURE THAT THE APRON IS PROPERLY ALIGNED WITH THE RECEIVING STREAM AND PREFERABLY STRAIGHT THROUGHOUT ITS LENGTH. IF A CURVE IS NEEDED TO FIT SITE CONDITIONS, PLACE IT IN THE UPPER SECTION OF THE APRON.
 - IMMEDIATELY AFTER CONSTRUCTION, STABILIZE ALL DISTURBED AREAS WITH VEGETATION.
- RIP-RAP APRON AT FLARED END SECTION
N.T.S. KHA DETAIL NO: 03.205.R02 XX



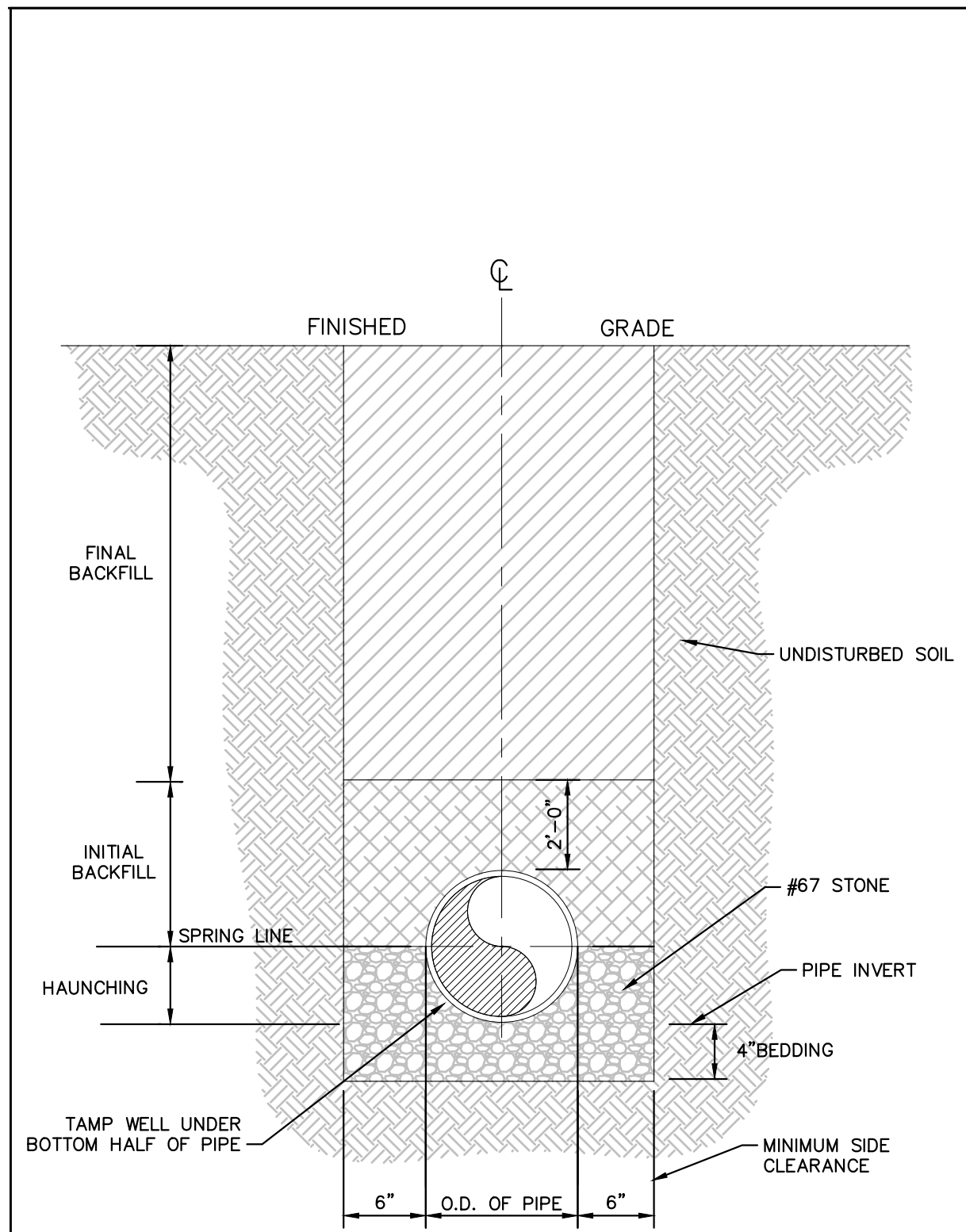
SURVEY NOTE:
EXISTING TOPOGRAPHICAL INFORMATION IS BASED ON A TOPOGRAPHIC SURVEY OBTAINED ON 02/23/2023 BY CNP PROFESSIONAL LAND SURVEYORS, 333 S. WHITE STREET, WAKE FOREST, NC 27888. PHONE: (919) 556-3148. CONTRACTOR SHALL BE RESPONSIBLE FOR VERIFYING ALL EXISTING INFORMATION, DEPICTED OR NOT, PRIOR TO CONSTRUCTION AND REPORT POTENTIAL CONFLICTS TO OWNER AND ENGINEER.

ROADWAY STANDARD DRAWING FOR METHOD OF PIPE INSTALLATION
 STATE OF NORTH CAROLINA DEPT. OF TRANSPORTATION DIVISION OF HIGHWAYS RALEIGH, N.C.
 RIGID PIPE
 SHEET 2 OF 3
300.01
 STATE OF NORTH CAROLINA DEPT. OF TRANSPORTATION DIVISION OF HIGHWAYS RALEIGH, N.C.
 ROADWAY STANDARD DRAWING FOR METHOD OF PIPE INSTALLATION
 FILL HEIGHT TABLES
 SHEET 3 OF 3
300.01
 KHA PROJECT 013031004
 DATE 09/29/2023
 SCALE AS SHOWN
 DESIGNED BY JAA
 DRAWN BY JAA
 CHECKED BY COE
STORM DETAILS
 THE LEARNING CENTER ROLESVILLE
 PREPARED FOR ROLESVILLE, LLC.
 TOWN OF ROLESVILLE NORTH CAROLINA
 SHEET NUMBER C9.0
 SDP-23-07

Kimley»Horn
 © 2023 KIMLEY-HORN AND ASSOCIATES, INC.
 #F-0102 WWW.KIMLEY-HORN.COM PHONE: 919.677.2000 FAX: 919.677.2050
 421 FAYETTEVILLE STREET, SUITE 600, RALEIGH, NC 27601



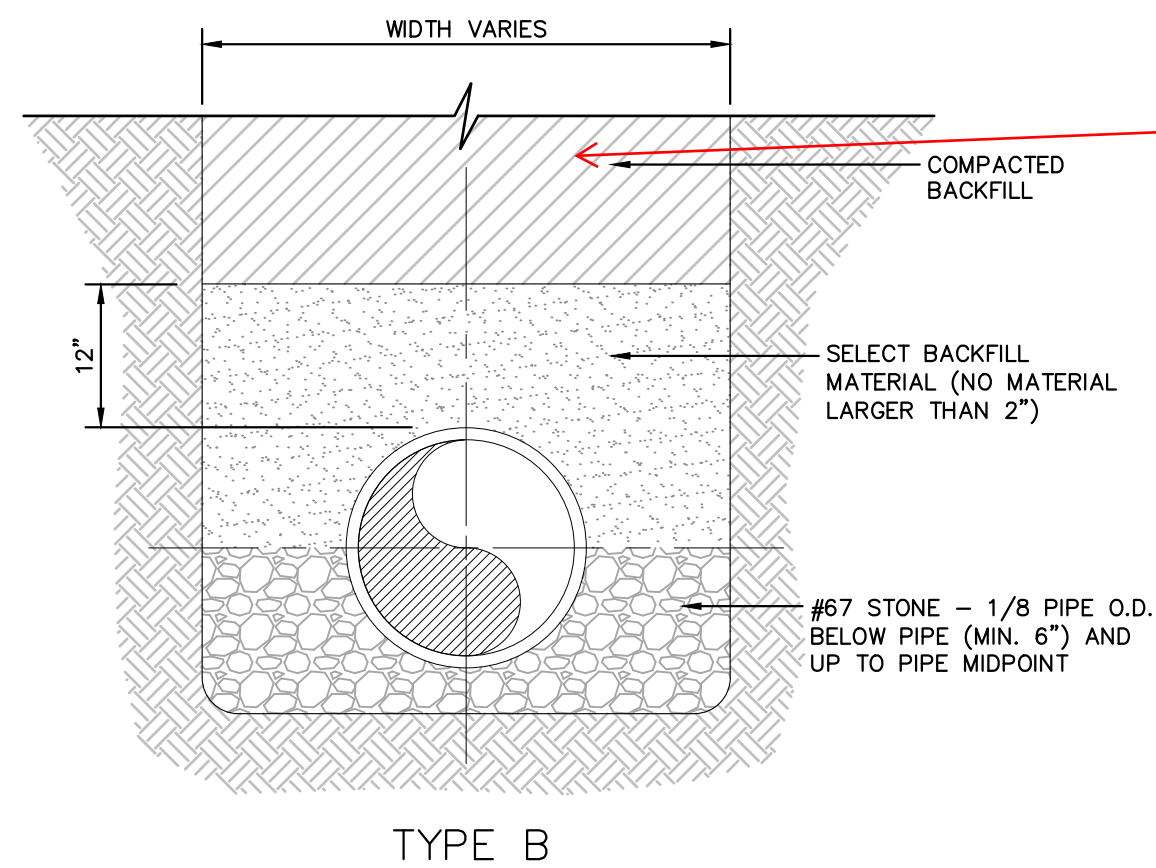
Plotted By: Alexander, Jamal Sheet Set: THE LEARNING CENTER ROLESVILLE Layout: C10.0 SANITARY SEWER DETAILS January 02, 2024 05:07:25pm K:\RAL_LDEV\013031004_Rolesville_Learning_Center\PI0_CAD Files\PlanSheets\C10.1 SANITARY SEWER DETAILS.dwg
 This document, together with the concepts and designs presented herein, is an instrument of service, is intended only for the specific purpose and client for which it was prepared. Reuse of and improper reliance on this document without written authorization and adaptation by Kimley-Horn and Associates, Inc. shall be without liability to Kimley-Horn and Associates, Inc.



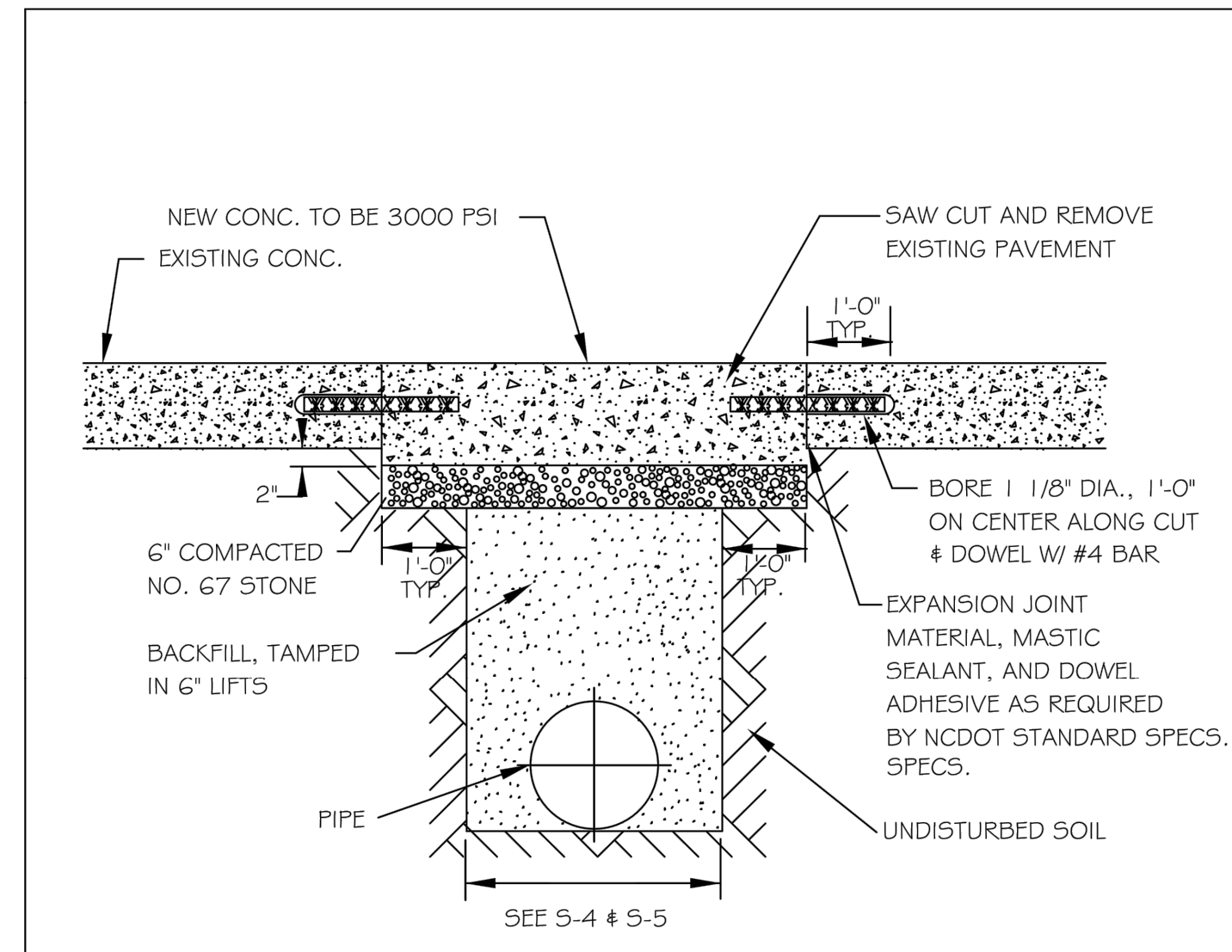
NOTES

1. FOR TRENCHES REQUIRING SHORING AND BRACING, DIMENSIONS SHALL BE TAKEN FROM THE INSIDE FACE OF THE SHORING AND BRACING.
2. NO ROCKS OR BOULDERS 4" OR LARGER TO BE USED IN INITIAL BACKFILL.
3. ALL BACKFILL MATERIAL SHALL BE SUITABLE NATIVE MATERIAL.
4. BACKFILL SHALL BE TAMPED IN 6" LIFTS IN TRAFFIC AREAS, 12" IN NON-TRAFFIC AREAS.

BEDDING AND TRENCH
 N.T.S. KHA DETAIL NO: 04.101.R01 XX

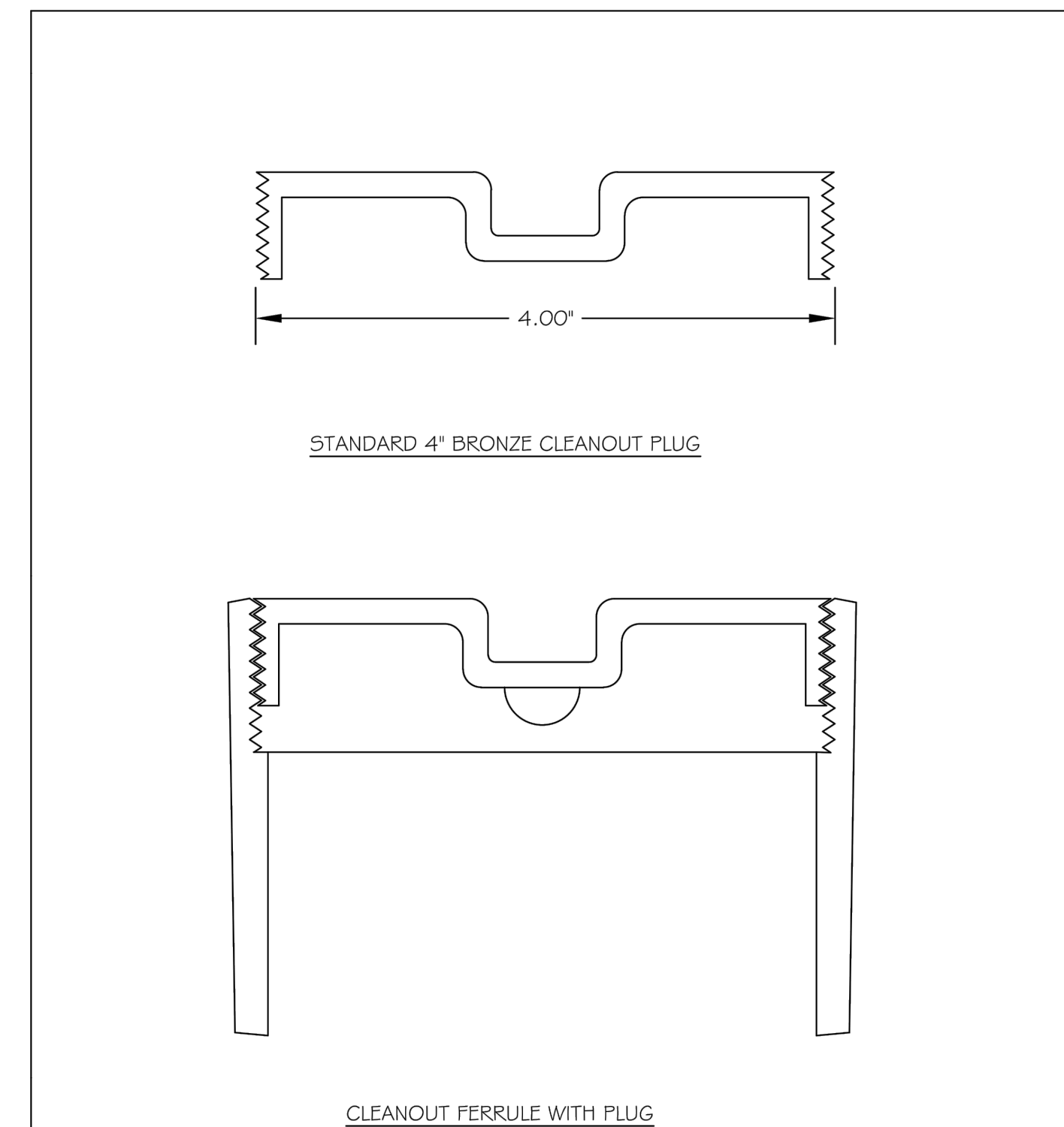


BACKFILL SECTION
 N.T.S. KHA DETAIL NO: 04.102.R01 XX



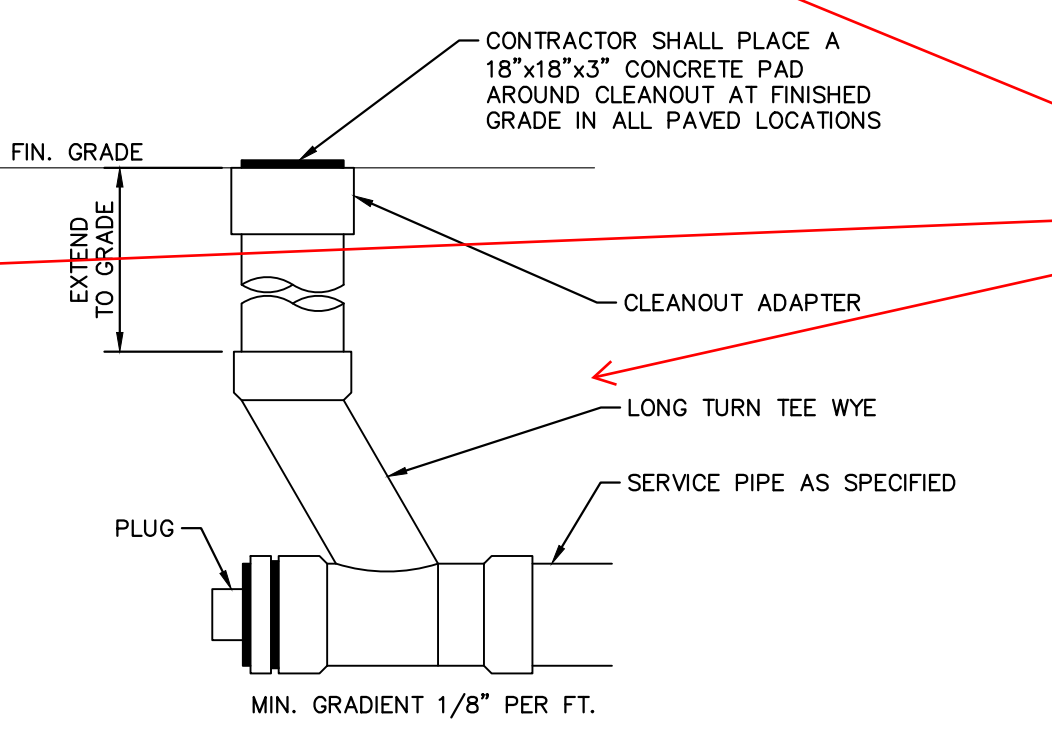
- NOTES:**
1. See City of Raleigh standards for trenches and pipe bedding (5-4 & 5-5) for additional details.
 2. Pavement cuts over 5'-0" in width shall be reinforced to N.C.D.O.T. standards.
 3. Pavement cuts shall be made with an appropriate saw cut machine.
 4. Pavement cuts within NCDOT ROW shall conform to the approved on site encroachment permit.

CITY OF RALEIGH					
DEPARTMENT OF PUBLIC UTILITIES					
STANDARD CONCRETE PAVEMENT PATCH DETAIL					
DWG. NO.	REVISIONS	DATE	REVISIONS	DATE	
5-2	D.W.C.	6-23-99	A.B.B.	4-19-04	
	RRH	3-30-00	J.P.S	10-8-10	



STYLES ACCEPTED:
 INVERTED NUT
 RAISED NUT

CITY OF RALEIGH					
DEPARTMENT OF PUBLIC UTILITIES					
4" CLEANOUT PLUG					
DWG. NO.	REVISIONS	DATE	REVISIONS	DATE	
5-34	D.W.C.	3-1-87	RRH	3-30-00	
		3-27-98			



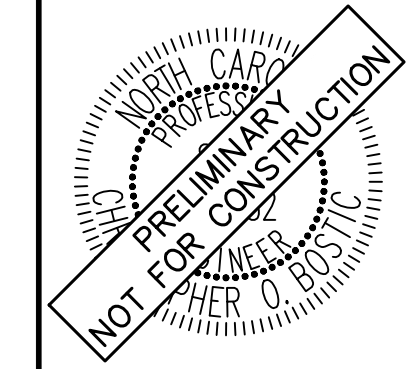
CLEANOUT
 N.T.S. KHA DETAIL NO: 04.201.R01 XX

41. Repeat USE THE CITY OF RALEIGH STANDARD DETAILS WHEN AVAILABLE FOR
 - SANITARY SEWER
 - WATERLINE

SURVEY NOTE:
 EXISTING TOPOGRAPHICAL INFORMATION IS BASED ON A TOPOGRAPHIC SURVEY OBTAINED ON 02/23/2023 BY CMP PROFESSIONAL LAND SURVEYORS, 333 S. WHITE STREET, WAKE FOREST, NC, 27888. PHONE: (919) 556-3148. CONTRACTOR SHALL BE RESPONSIBLE FOR VERIFYING ALL EXISTING INFORMATION, DEPICTED OR NOT, PRIOR TO CONSTRUCTION AND REPORT POTENTIAL CONFLICTS TO OWNER AND ENGINEER.

NO.	REVISIONS	DATE	BY
7			
6			
5			
4			
3			
2			
1			

Kimley»Horn
 © 2023 KIMLEY-HORN AND ASSOCIATES, INC.
 WWW.KIMLEY-HORN.COM PHONE: 919.677.2000 FAX: 919.677.2050
 421 FAYETTEVILLE STREET, SUITE 600, RALEIGH, NC 27601



KHA PROJECT	DATE	SCALE	DESIGNED BY	DRAWN BY	CHECKED BY
013031004	09/29/2023	AS SHOWN	JAA	JAA	COB

SANITARY SEWER DETAILS

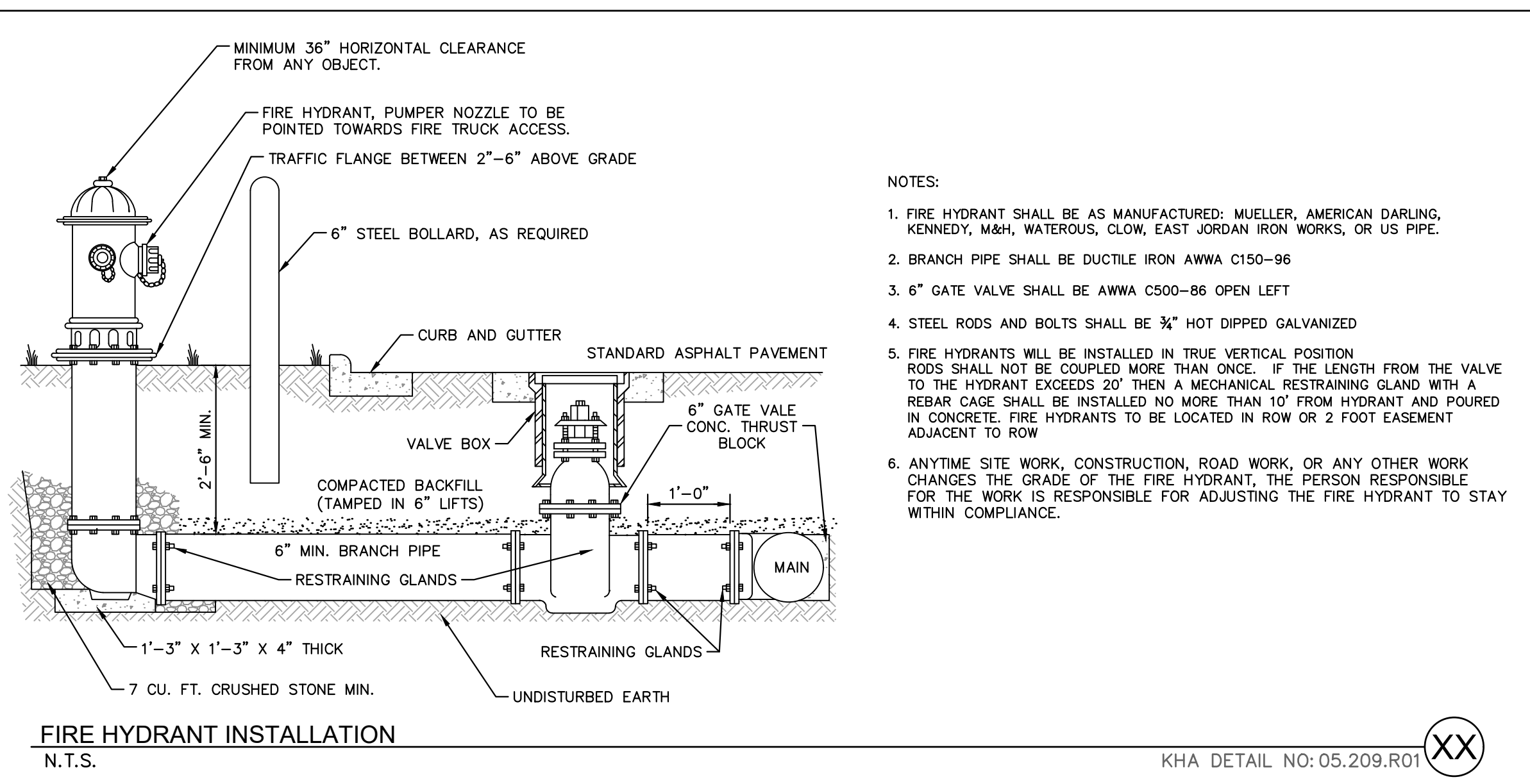
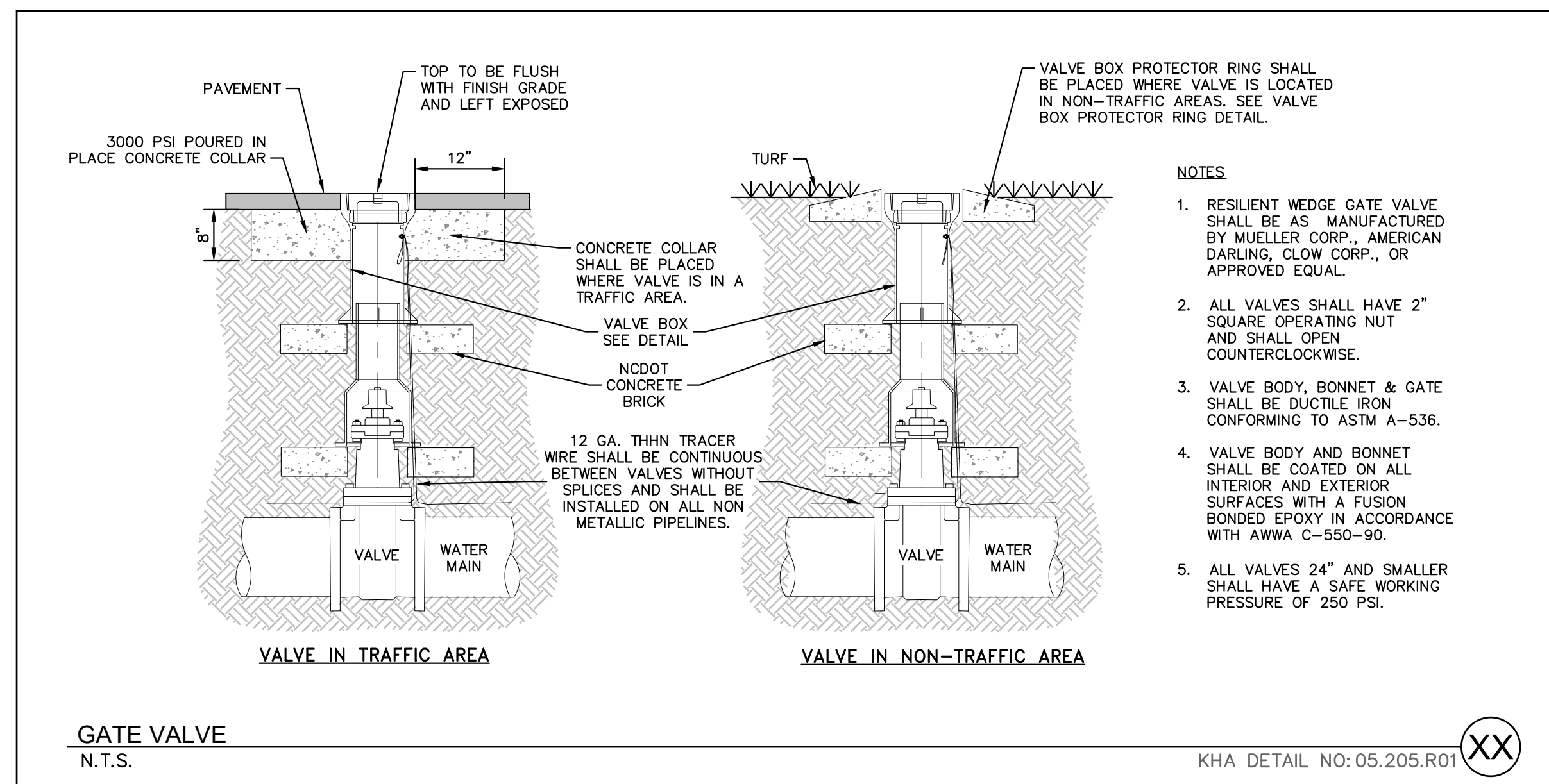
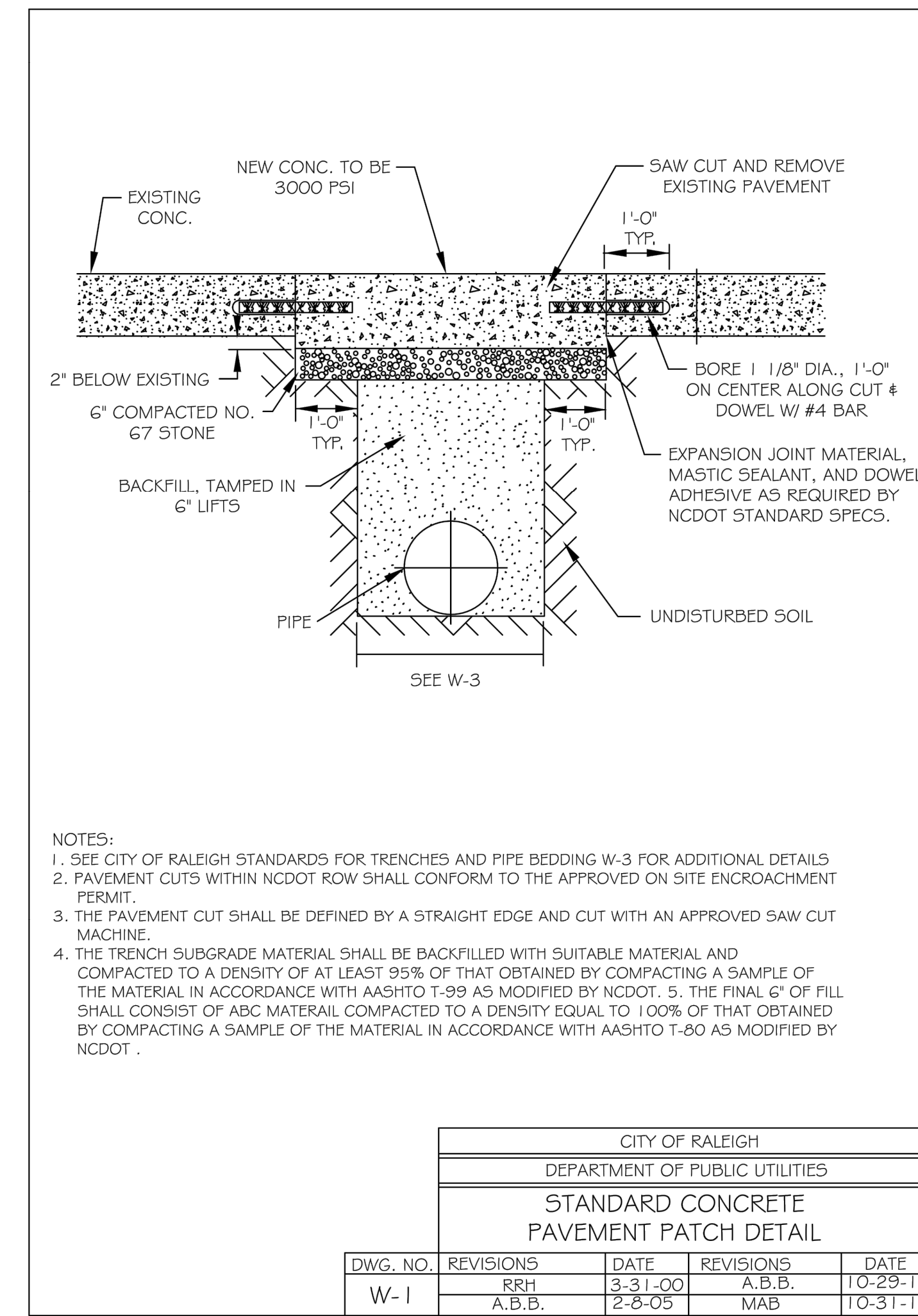
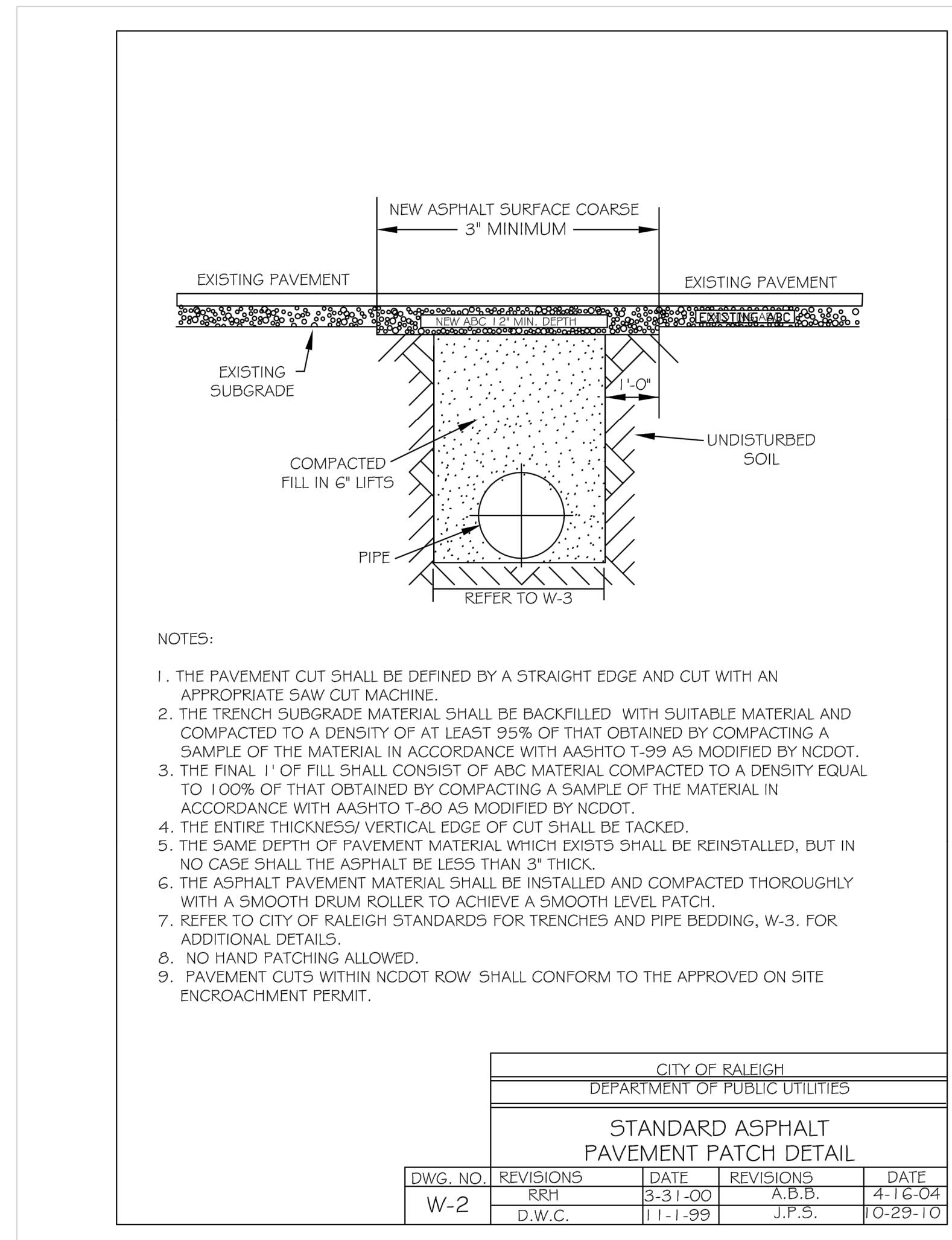
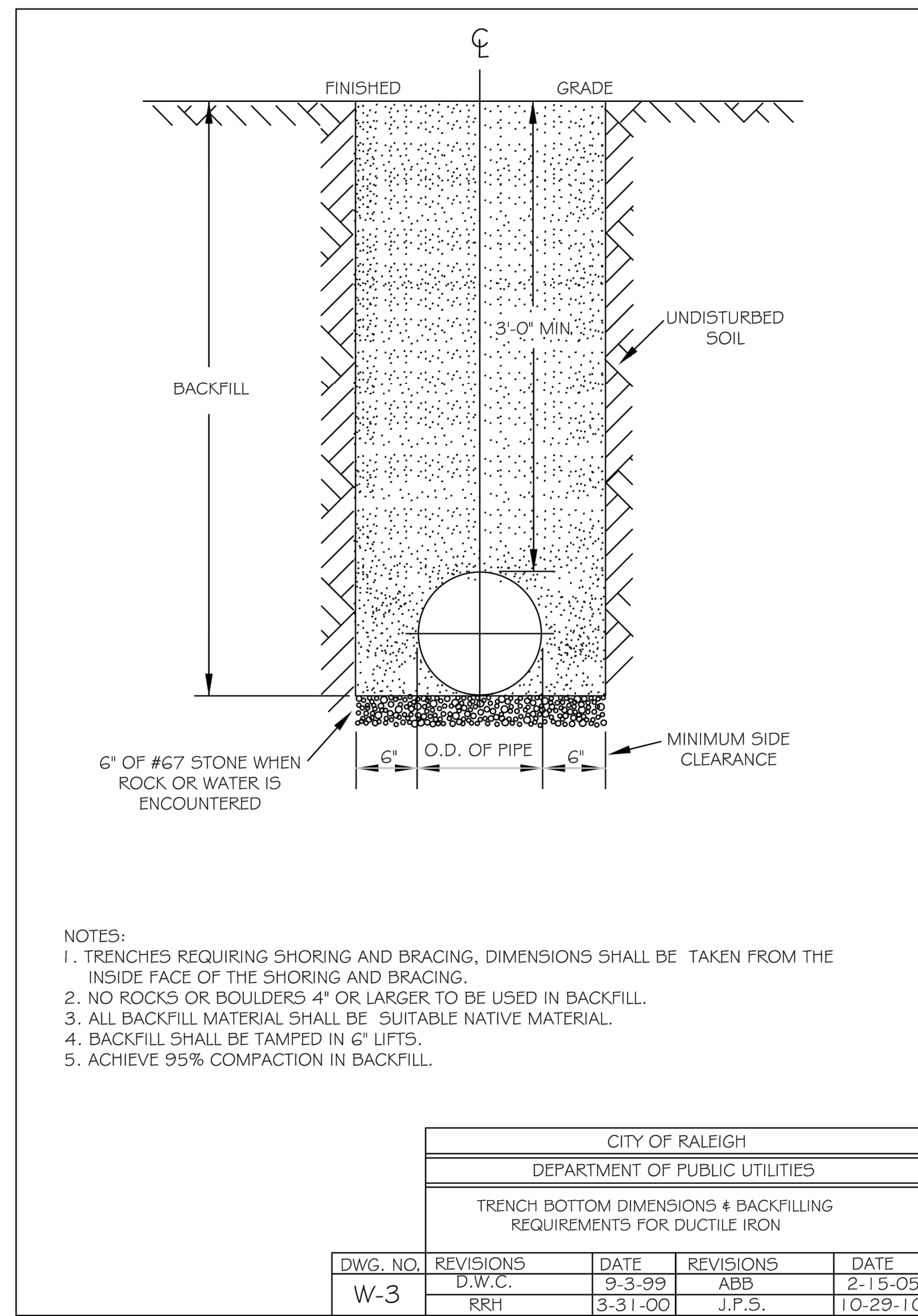
THE LEARNING CENTER ROLESVILLE
 PREPARED FOR
ROLESVILLE, LLC.
 NORTH CAROLINA

SHEET NUMBER
C10.0



SDP-23-07

Plotted By: Alexander, Jamal Sheet Set: THE LEARNING CENTER ROLESVILLE January 02, 2024 05:07:38pm K:\RAL_DEVELOP\13031004_Rolesville_Leaning_Center\PI0_CAD Files\PlanSheets\C11.3 WATER DETAILS.dwg
 This document, together with the concepts and designs presented herein, is an instrument of service, is intended only for the specific purpose and client for which it was prepared. Reuse of and improper reliance on this document without written authorization and adaptation by Kimley-Horn and Associates, Inc. shall be without liability to Kimley-Horn and Associates, Inc.



41. Repeat USE THE CITY OF RALEIGH STANDARD DETAILS WHEN AVAILABLE FOR
 - SANITARY SEWER
 - WATERLINE

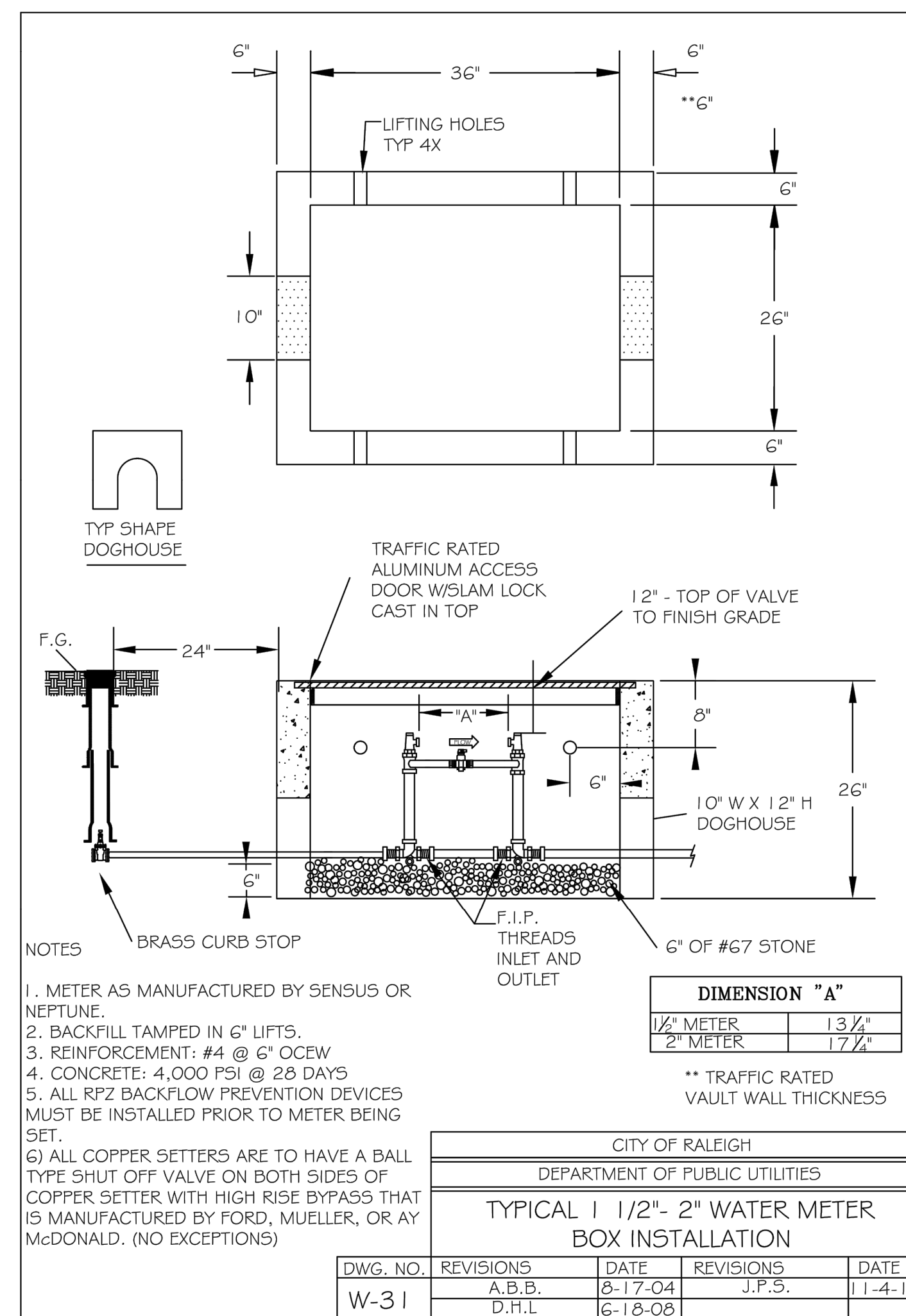
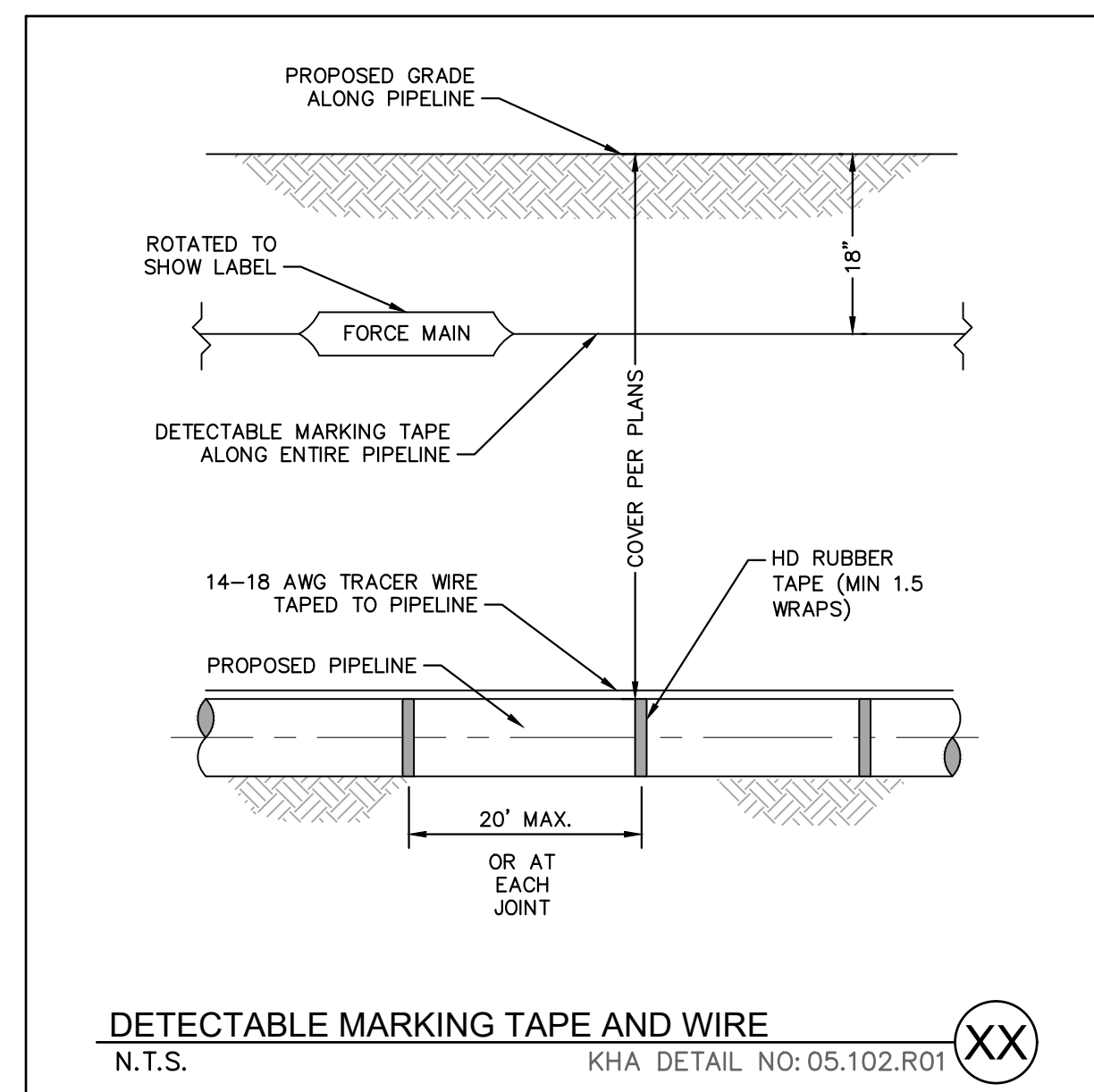
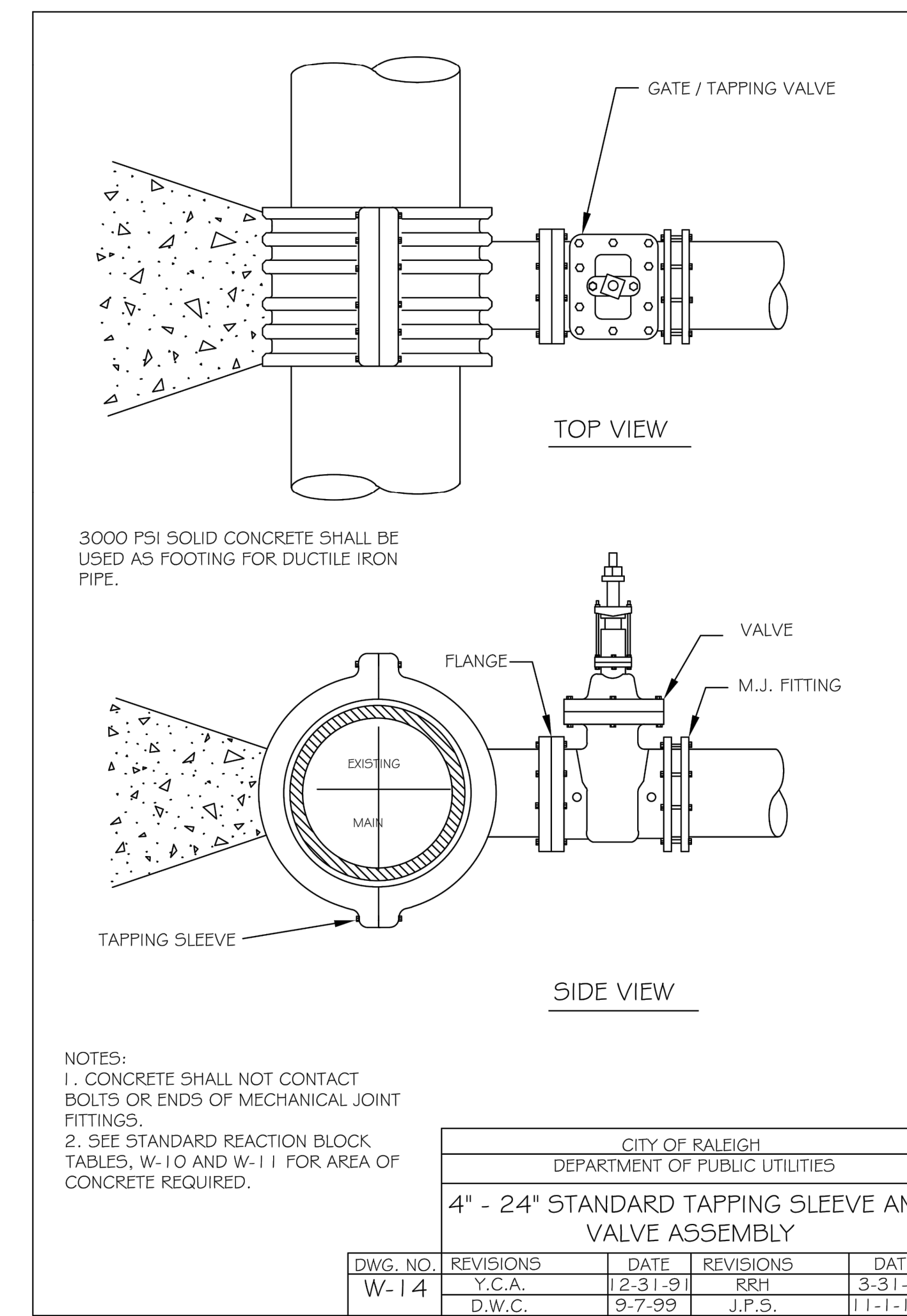
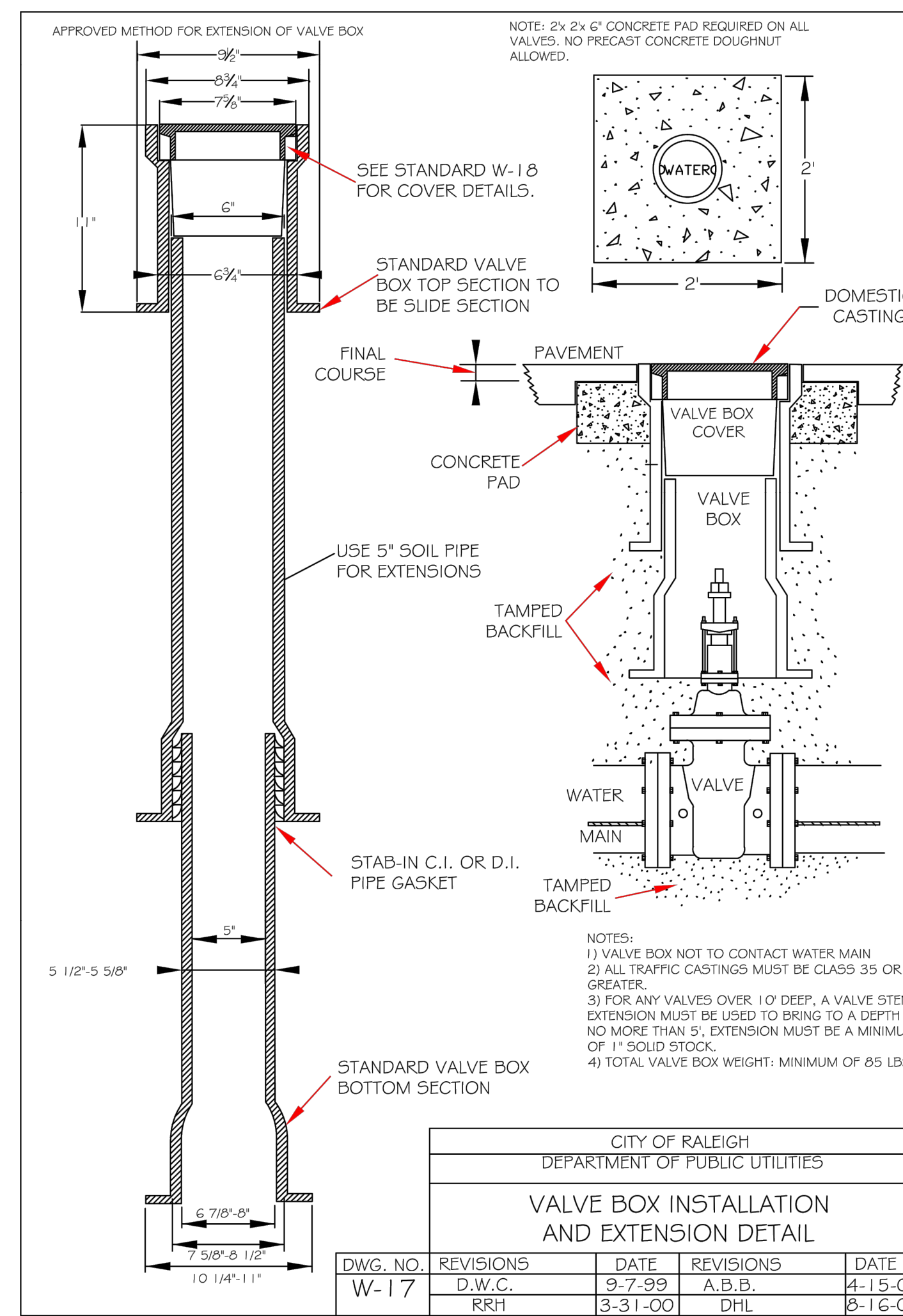
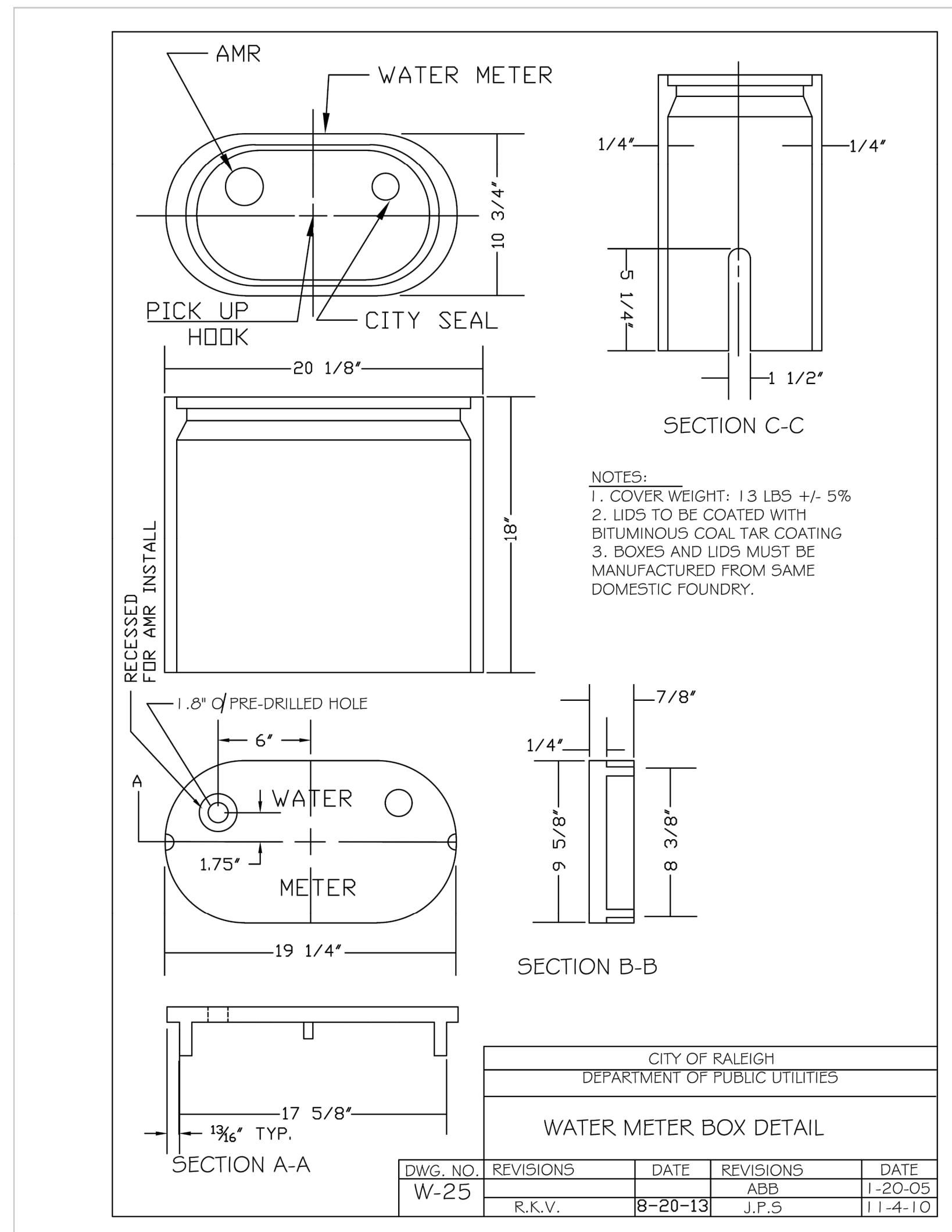
SURVEY NOTE:
 EXISTING TOPOGRAPHICAL INFORMATION IS BASED ON A TOPOGRAPHIC SURVEY OBTAINED ON 02/23/2023 BY CMP PROFESSIONAL LAND SURVEYORS, 333 S. WHITE STREET, WAKE FOREST, NC, 27888. PHONE: (919) 556-3148. CONTRACTOR SHALL BE RESPONSIBLE FOR VERIFYING ALL EXISTING INFORMATION, DEPICTED OR NOT, PRIOR TO CONSTRUCTION AND REPORT POTENTIAL CONFLICTS TO OWNER AND ENGINEER.



SDP-23-07

KHA PROJECT 013031004		DATE 09/29/2023		SCALE AS SHOWN		DESIGNED BY JAA		DRAWN BY JAA		CHECKED BY COB																																	
WATER DETAILS																																											
THE LEARNING CENTER ROLESVILLE																																											
PREPARED FOR ROLESVILLE, LLC.																																											
TOWN OF ROLESVILLE NORTH CAROLINA																																											
SHEET NUMBER C11.0																																											
© 2023 KIMLEY-HORN AND ASSOCIATES, INC. #F-0102 WWW.KIMLEY-HORN.COM PHONE: 919.677.2000 FAX: 919.677.2050 421 FAYETTEVILLE STREET, SUITE 600, RALEIGH, NC 27601																																											
<table border="1"> <tr> <th>NO.</th> <th>REVISIONS</th> <th>DATE</th> <th>BY</th> </tr> <tr> <td>1</td> <td></td> <td></td> <td></td> </tr> <tr> <td>2</td> <td></td> <td></td> <td></td> </tr> <tr> <td>3</td> <td></td> <td></td> <td></td> </tr> <tr> <td>4</td> <td></td> <td></td> <td></td> </tr> <tr> <td>5</td> <td></td> <td></td> <td></td> </tr> <tr> <td>6</td> <td></td> <td></td> <td></td> </tr> <tr> <td>7</td> <td></td> <td></td> <td></td> </tr> </table>												NO.	REVISIONS	DATE	BY	1				2				3				4				5				6				7			
NO.	REVISIONS	DATE	BY																																								
1																																											
2																																											
3																																											
4																																											
5																																											
6																																											
7																																											

Plotted By: Alexander, Jamal Sheet Set: THE LEARNING CENTER ROLESVILLE January 02, 2024 05:07:42pm K:\RAL_LDEV\013031004_Rolesville_Leaning_Center\PI0_CAD Files\PlanSheets\C11.3 WATER DETAILS.dwg
 This document, together with the concepts and designs presented herein, is an instrument of service, as an instrument of service, is intended only for the specific purpose and client for which it was prepared. Reuse of and improper reliance on this document without written authorization and adaptation by Kimley-Horn and Associates, Inc. shall be without liability to Kimley-Horn and Associates, Inc.



41. Repeat USE THE CITY OF RALEIGH STANDARD DETAILS WHEN AVAILABLE FOR
 - SANITARY SEWER
 - WATERLINE

SURVEY NOTE:
 EXISTING TOPOGRAPHICAL INFORMATION IS BASED ON A TOPOGRAPHIC SURVEY OBTAINED ON 02/23/2023 BY CMP PROFESSIONAL LAND SURVEYORS, 333 S. WHITE STREET, WAKE FOREST, NC 27988. PHONE: (919) 556-3148. CONTRACTOR SHALL BE RESPONSIBLE FOR VERIFYING ALL EXISTING INFORMATION, DEPICTED OR NOT, PRIOR TO CONSTRUCTION AND REPORT POTENTIAL CONFLICTS TO OWNER AND ENGINEER.



SDP-23-07

NO.
REVISIONS
DATE

7
6
5
4
3
2
1

NO.
REVISIONS
DATE

BY
DATE

NO.
REVISIONS
DATE

BY
DATE

NO.
REVISIONS
DATE

BY
DATE

NO.
REVISIONS
DATE

BY
DATE

NO.
REVISIONS
DATE

BY
DATE

NO.
REVISIONS
DATE

BY
DATE

NO.
REVISIONS
DATE

BY
DATE

NO.
REVISIONS
DATE

BY
DATE

NO.
REVISIONS
DATE

BY
DATE

NO.
REVISIONS
DATE

BY
DATE

NO.
REVISIONS
DATE

BY
DATE

NO.
REVISIONS
DATE

BY
DATE

NO.
REVISIONS
DATE

BY
DATE

NO.
REVISIONS
DATE

BY
DATE

NO.
REVISIONS
DATE

BY
DATE

NO.
REVISIONS
DATE

BY
DATE

NO.
REVISIONS
DATE

BY
DATE

NO.
REVISIONS
DATE

BY
DATE

NO.
REVISIONS
DATE

BY
DATE

NO.
REVISIONS
DATE

BY
DATE

NO.
REVISIONS
DATE

BY
DATE

NO.
REVISIONS
DATE

BY
DATE

NO.
REVISIONS
DATE

BY
DATE

NO.
REVISIONS
DATE

BY
DATE

NO.
REVISIONS
DATE

BY
DATE

NO.
REVISIONS
DATE

BY
DATE

NO.
REVISIONS
DATE

BY
DATE

NO.
REVISIONS
DATE

BY
DATE

NO.
REVISIONS
DATE

BY
DATE

NO.
REVISIONS
DATE

BY
DATE

NO.
REVISIONS
DATE

BY
DATE

NO.
REVISIONS
DATE

BY
DATE

NO.
REVISIONS
DATE

BY
DATE

NO.
REVISIONS
DATE

BY
DATE

NO.
REVISIONS
DATE

BY
DATE

NO.
REVISIONS
DATE

BY
DATE

NO.
REVISIONS
DATE

BY
DATE

NO.
REVISIONS
DATE

BY
DATE

NO.
REVISIONS
DATE

BY
DATE

NO.
REVISIONS
DATE

BY
DATE

NO.
REVISIONS
DATE

BY
DATE

NO.
REVISIONS
DATE

BY
DATE

NO.
REVISIONS
DATE

BY
DATE

NO.
REVISIONS
DATE

BY
DATE

NO.
REVISIONS
DATE

BY
DATE

NO.
REVISIONS
DATE

BY
DATE

NO.
REVISIONS
DATE

BY
DATE

NO.
REVISIONS
DATE

BY
DATE

NO.
REVISIONS
DATE

BY
DATE

NO.
REVISIONS
DATE

BY
DATE

NO.
REVISIONS
DATE

BY
DATE

NO.
REVISIONS
DATE

BY
DATE

NO.
REVISIONS
DATE

BY
DATE

NO.
REVISIONS
DATE

BY
DATE

NO.
REVISIONS
DATE

BY
DATE

NO.
REVISIONS
DATE

BY
DATE

NO.
REVISIONS
DATE

BY
DATE

NO.
REVISIONS
DATE

BY
DATE

NO.
REVISIONS
DATE

BY
DATE

NO.
REVISIONS
DATE

BY
DATE

NO.
REVISIONS
DATE

BY
DATE

NO.
REVISIONS
DATE

BY
DATE

NO.
REVISIONS
DATE

BY
DATE

NO.
REVISIONS
DATE

BY
DATE

NO.
REVISIONS
DATE

BY
DATE

NO.
REVISIONS
DATE

BY
DATE

NO.
REVISIONS
DATE

BY
DATE

NO.
REVISIONS
DATE

BY
DATE

NO.
REVISIONS
DATE

BY
DATE

NO.
REVISIONS
DATE

BY
DATE

NO.
REVISIONS
DATE

BY
DATE

NO.
REVISIONS
DATE

BY
DATE

NO.
REVISIONS
DATE

BY
DATE

NO.
REVISIONS
DATE

BY
DATE

NO.
REVISIONS
DATE

BY
DATE

NO.
REVISIONS
DATE

BY
DATE

NO.
REVISIONS
DATE

BY
DATE

NO.
REVISIONS
DATE

BY
DATE

NO.
REVISIONS
DATE

BY
DATE

NO.
REVISIONS
DATE

BY
DATE

NO.
REVISIONS
DATE

BY
DATE

NO.
REVISIONS
DATE

BY
DATE

NO.
REVISIONS
DATE

BY
DATE

NO.
REVISIONS
DATE

BY
DATE

NO.
REVISIONS
DATE

BY
DATE

NO.
REVISIONS
DATE

BY
DATE

NO.
REVISIONS
DATE

BY
DATE

NO.
REVISIONS
DATE

BY
DATE

NO.
REVISIONS
DATE

BY
DATE

NO.
REVISIONS
DATE

BY
DATE

NO.
REVISIONS
DATE

BY
DATE

NO.
REVISIONS
DATE

BY
DATE

NO.
REVISIONS
DATE

BY
DATE

NO.
REVISIONS
DATE

BY
DATE

NO.
REVISIONS
DATE

BY
DATE

NO.
REVISIONS
DATE

BY
DATE

NO.
REVISIONS
DATE

BY
DATE

NO.
REVISIONS
DATE

BY
DATE

NO.
REVISIONS
DATE

BY
DATE

NO.
REVISIONS
DATE

BY
DATE

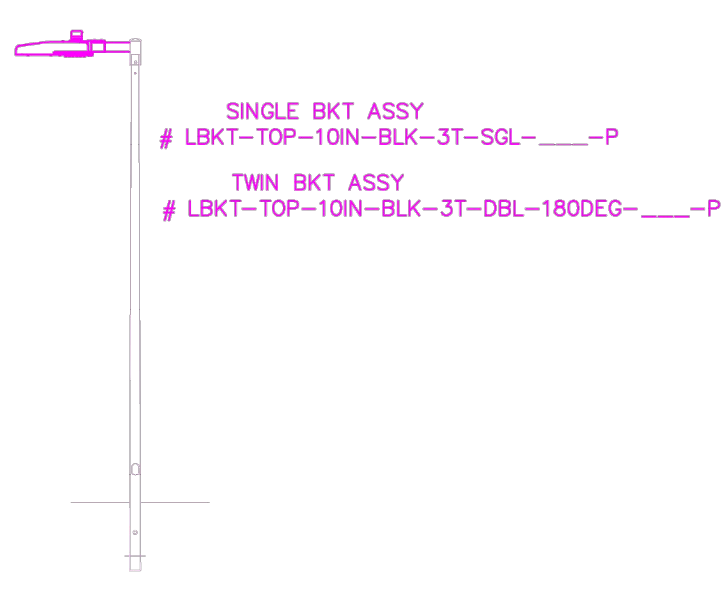
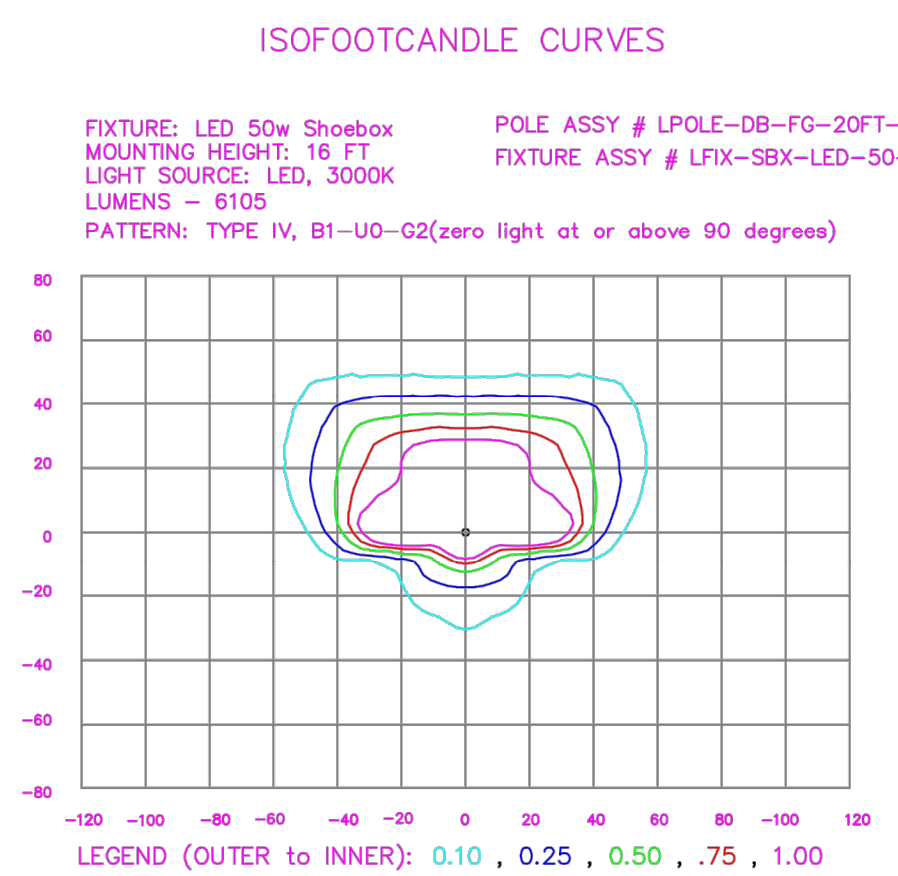
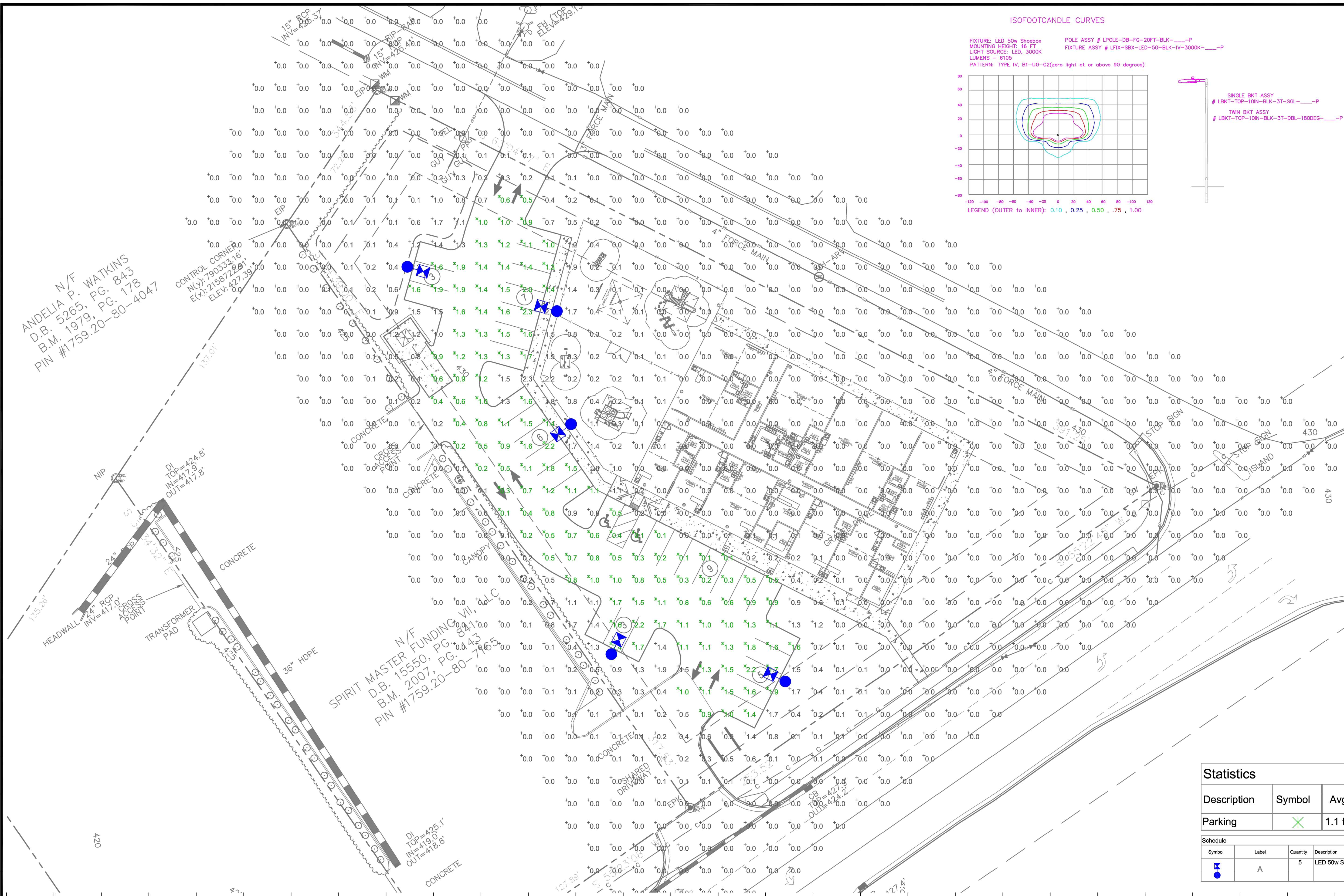
NO.
REVISIONS
DATE

BY
DATE

NO.
REVISIONS
DATE

BY
DATE

NO.
REVISIONS
DATE



Outdoor Lighting

LED (Light-emitting diode) 50 watts
Mounting height 12' - 17'
Color Black
Pole Aluminum, Flangeless, Concrete, Decorative Aluminum
Applications Neighborhoods, Parks, Shopping centers

Light source: LED (Aria)
Wattage: 50 watts
Lumens: 5,100 lumen
Light pattern: IESNA Type IV
IESNA cutoff classification: Full cutoff
BUG rating: Type IV - B1 U052
Color temperature: 3,000K (14,000K)

POLE AVAILABLE	MOUNTING HEIGHT	COLOR
Aluminum	12', 15', 17'	Black
Flangeless	15'	Black
Flush Concrete	15'	Black
Decorative Aluminum	12', 16'	Black

FEATURES: Turnkey operation, Little or no installation cost, Design services by lighting professionals included, Maintenance, electricity & warranty included, One low monthly cost on your electric bill.

BENEFITS: Provides hassle-free installation and service, Frees up capital for other projects, Meets industry standards and lighting ordinances, Eliminates high and unexpected repair bills, Convenience and savings for you.

DUKE ENERGY PROFESSIONALS

ANDELIA N/F
 D.B. 5265, PG. 843
 B.M. 1979, PG. 178
 PIN #1759.20-80-4047

CONTROL CORNER
 N(4) 7903.53.16'
 E(X) 21587.22.88'
 ELEV. 427.39'

SPIRIT MASTER FUNDING VII, LLC
 D.B. 15550, PG. 841
 B.M. 2007, PG. 443
 PIN #1759.20-80-74635

LT1.0

Statistics						
Description	Symbol	Avg	Max	Min	Max/Min	Avg/Min
Parking	X	1.1 fc	2.4 fc	0.1 fc	24.0:1	11.0:1

Schedule						
Symbol	Label	Quantity	Description	Number Lamps	Lumens Per Lamp	Light Loss Factor
Blue circle with 'A'	A	5	LED 50w Shoebox - Type IV - 3000K	16	382	0.85

NO.	DATE	REVISION	BY



LIGHTING DESIGN TOLERANCE
 The calculated footcandle light levels in this lighting design are predicted values and are based on specific information that has been supplied to Duke Energy. Any inaccuracies in the supplied information, differences in luminaire installation, lighted area geometry including elevation differences, reflective properties of surrounding surfaces, obstructions (foliage or otherwise) in the lighted area, or lighting from sources other than listed in this design may produce different results from the predicted values. Normal tolerances of voltage, lamp output, and ballast and luminaire manufacture will also affect results.



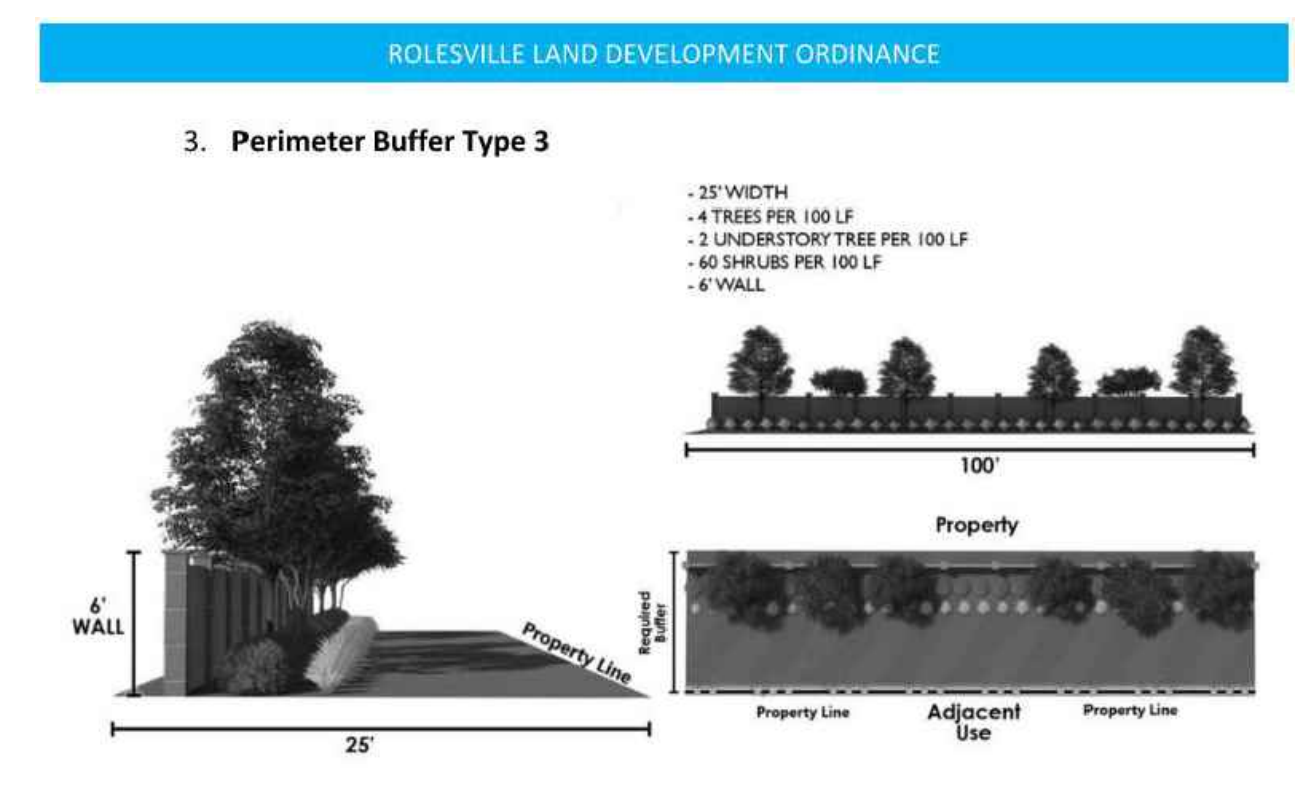
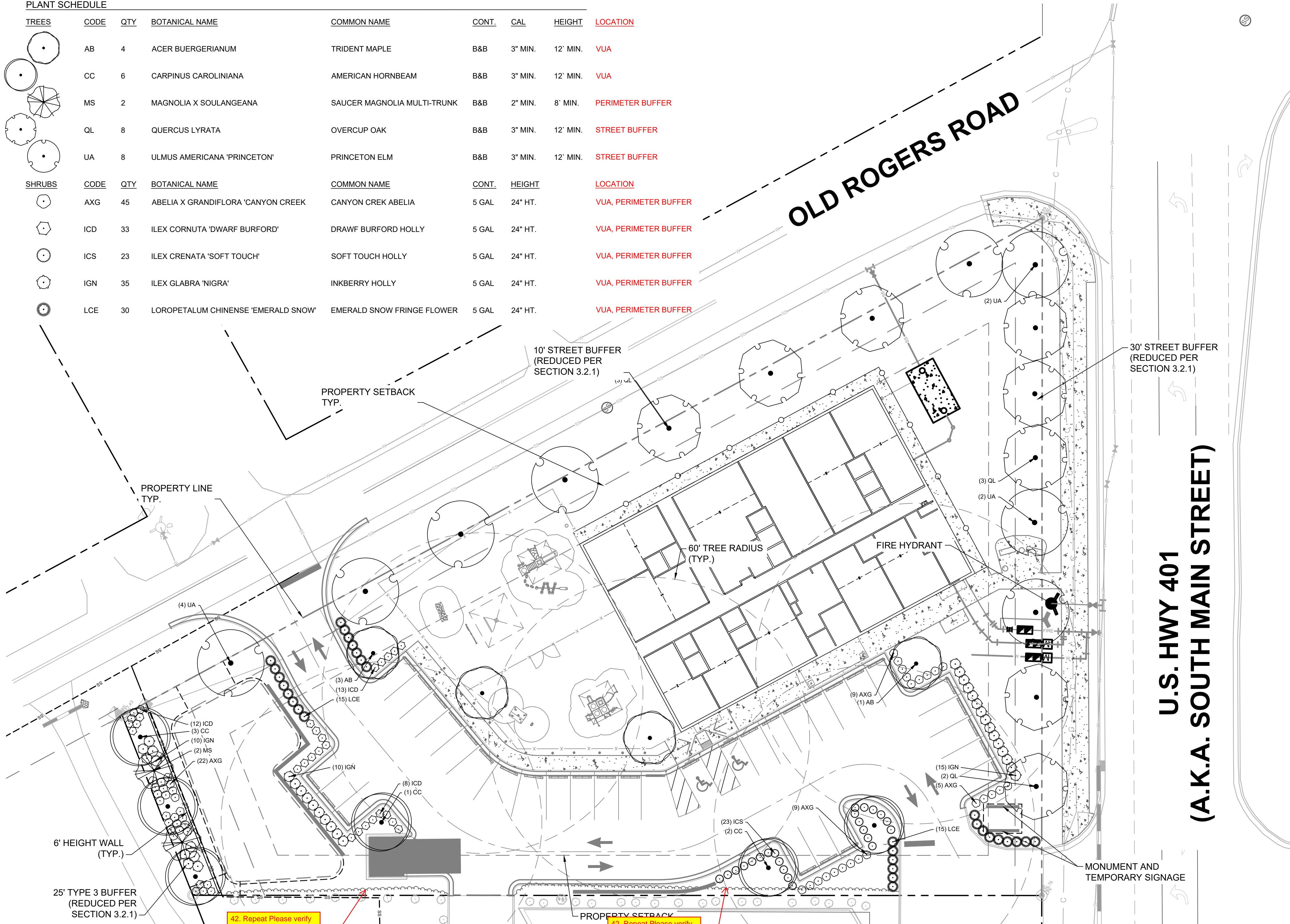
PROPRIETARY & CONFIDENTIAL
 This document together with the concepts and designs presented herein, presented as an instrument of service, is the sole property of Duke Energy, and is intended only for the specific purpose and prospective client as stated in the title block of this drawing. Any use, copying, reproduction or disclosure of the drawing, design or any information contained herein by the prospective customer or other entities, including without limitation, architects, engineers, or equipment manufacturers is hereby expressly prohibited and shall not be permitted absent prior written consent from, and payment of compensation to Duke Energy. Duke Energy disclaims any liability or responsibility for any unauthorized use of or reliance on this document.

ROLESVILLE LEARNING CENTER Rolesville, NC	
SITE LIGHTING ARRANGEMENT	
Designed by	DUKE ENERGY PROGRESS LIGHTING SOLUTIONS
Reviewed by	N. Johnson Scale 1" = 20'
Date	09/25/2023 Size Drawing size "D"
Description	LED Pedestrian Shoebox
Drawing No.	23-0400A Sht. 1 OF 1

Plotted By: Alexander, Jamal Sheet Set: THE LEARNING CENTER ROLESVILLE, LAYOUT: L1.0 LANDSCAPE PLAN, January 02, 2024, 05:08:07 PM, K:\REAL_LDEV\013031004_Rolesville_Leaning_Center\PI.D_CAD_Files\Sheets\L1.0 LANDSCAPE PLAN.dwg
 This document, together with the concepts and designs presented herein, is an instrument of service, as intended only for the specific purpose and client for which it was prepared. Reuse of and improper reliance on this document without written authorization and adaptation by Kimley-Horn and Associates, Inc. shall be without liability to Kimley-Horn and Associates, Inc.

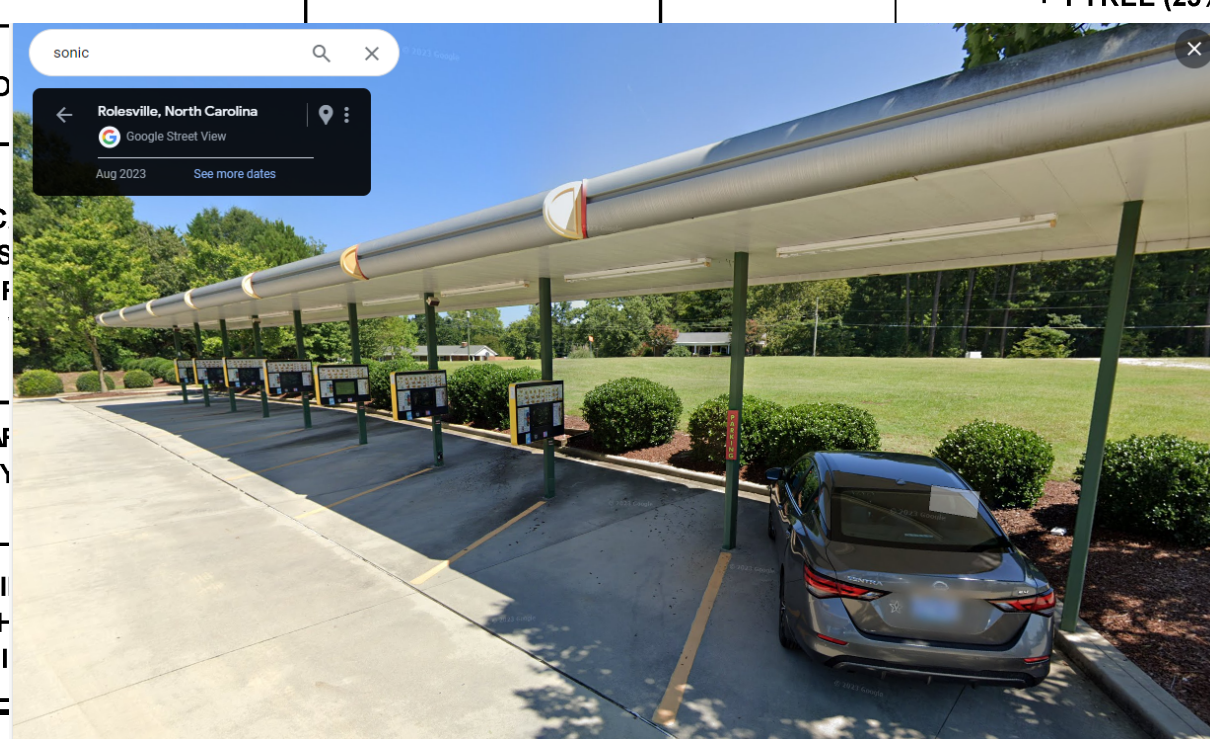
PLANT SCHEDULE

TREES	CODE	QTY	BOTANICAL NAME	COMMON NAME	CONT.	CAL	HEIGHT	LOCATION
	AB	4	ACER BUERGERIANUM	TRIDENT MAPLE	B&B	3" MIN.	12' MIN.	VUA
	CC	6	CARPINUS CAROLINIANA	AMERICAN HORNBEAM	B&B	3" MIN.	12' MIN.	VUA
	MS	2	MAGNOLIA X SOULANGEANA	SAUCER MAGNOLIA MULTI-TRUNK	B&B	2" MIN.	8' MIN.	PERIMETER BUFFER
	QL	8	QUERCUS LYRATA	OVERCUP OAK	B&B	3" MIN.	12' MIN.	STREET BUFFER
	UA	8	ULMUS AMERICANA 'PRINCETON'	PRINCETON ELM	B&B	3" MIN.	12' MIN.	STREET BUFFER
SHRUBS	CODE	QTY	BOTANICAL NAME	COMMON NAME	CONT.	HEIGHT	LOCATION	
	AXG	45	ABELIA X GRANDIFLORA 'CANYON CREEK'	CANYON CREK ABELIA	5 GAL	24" HT.	VUA, PERIMETER BUFFER	
	ICD	33	ILEX CORNUTA 'DWARF BURFORD'	DRAWF BURFORD HOLLY	5 GAL	24" HT.	VUA, PERIMETER BUFFER	
	ICS	23	ILEX CRENATA 'SOFT TOUCH'	SOFT TOUCH HOLLY	5 GAL	24" HT.	VUA, PERIMETER BUFFER	
	IGN	35	ILEX GLABRA 'NIGRA'	INKBERRY HOLLY	5 GAL	24" HT.	VUA, PERIMETER BUFFER	
	LCE	30	LOROPETALUM CHINENSE 'EMERALD SNOW'	EMERALD SNOW FRINGE FLOWER	5 GAL	24" HT.	VUA, PERIMETER BUFFER	



GENERAL NOTES:
 1. SEE SHEET L2.0 LANDSCAPE DETAILS FOR LANDSCAPE INSTALLATION NOTES AND DETAILS

AREA TO BE LANDSCAPED	CODE REQUIREMENT	LOCATION	MEASUREMENT	QUANTITY REQUIRED	TOTAL QUANTITY PROVIDED	CODE SECTION
STREET BUFFER - 10' WIDE (REDUCED TO 65% OF WIDTH PER SECTION 3.2.1)	4 CANOPY TREE PER 100 LF	EAST - US HWY 401	*253 LF	((253 / 100) X 2.5) = 7 CANOPY TREES + 1 TREE (25%)	8 CANOPY TREES	SECTION 6.2.2
STREET BUFFER - 10' WIDE (REDUCED TO 65% OF WIDTH PER SECTION 3.2.1)	4 CANOPY TREES			9 CANOPY TREES	9 CANOPY TREES	SECTION 6.2.2
TYPE 3 BUFFER - 25' WIDE (REDUCED TO 65% OF WIDTH PER SECTION 3.2.1)	4 UNDERSTORY SHRUBS WITH			3 CANOPY TREES	3 CANOPY TREES	SECTION 6.2.2
				2 UNDERSTORY TREES	2 UNDERSTORY TREES	SECTION 6.2.2
				44 SHRUBS	44 SHRUBS	SECTION 6.2.2
PARKING LOT	1 LAF CANOPY			7 CANOPY TREES	7 CANOPY TREES	SECTION 6.2.4



*NOTE: PER CODE SECTION 6.2.4, PARKING CENTER AND WITHIN FIVE (5) FEET OF THE GRADE WITHIN THREE YEARS OF PLANTING. PLANTED NO GREATER THAN THREE (3) FEET ON A MINIMUM HEIGHT OF THIRTY (30) INCHES ABOVE MAINTAINED.

KIMLEY-HORN & ASSOCIATES, INC.
 421 FAYETTEVILLE STREET, SUITE 600, RALEIGH, NC 27601
 PHONE: 919.677.2000 FAX: 919.677.2050
 WWW.KIMLEY-HORN.COM

THE LEARNING CENTER ROLESVILLE
 PREPARED FOR
 ROLESVILLE, LLC.
 TOWN OF ROLESVILLE NORTH CAROLINA

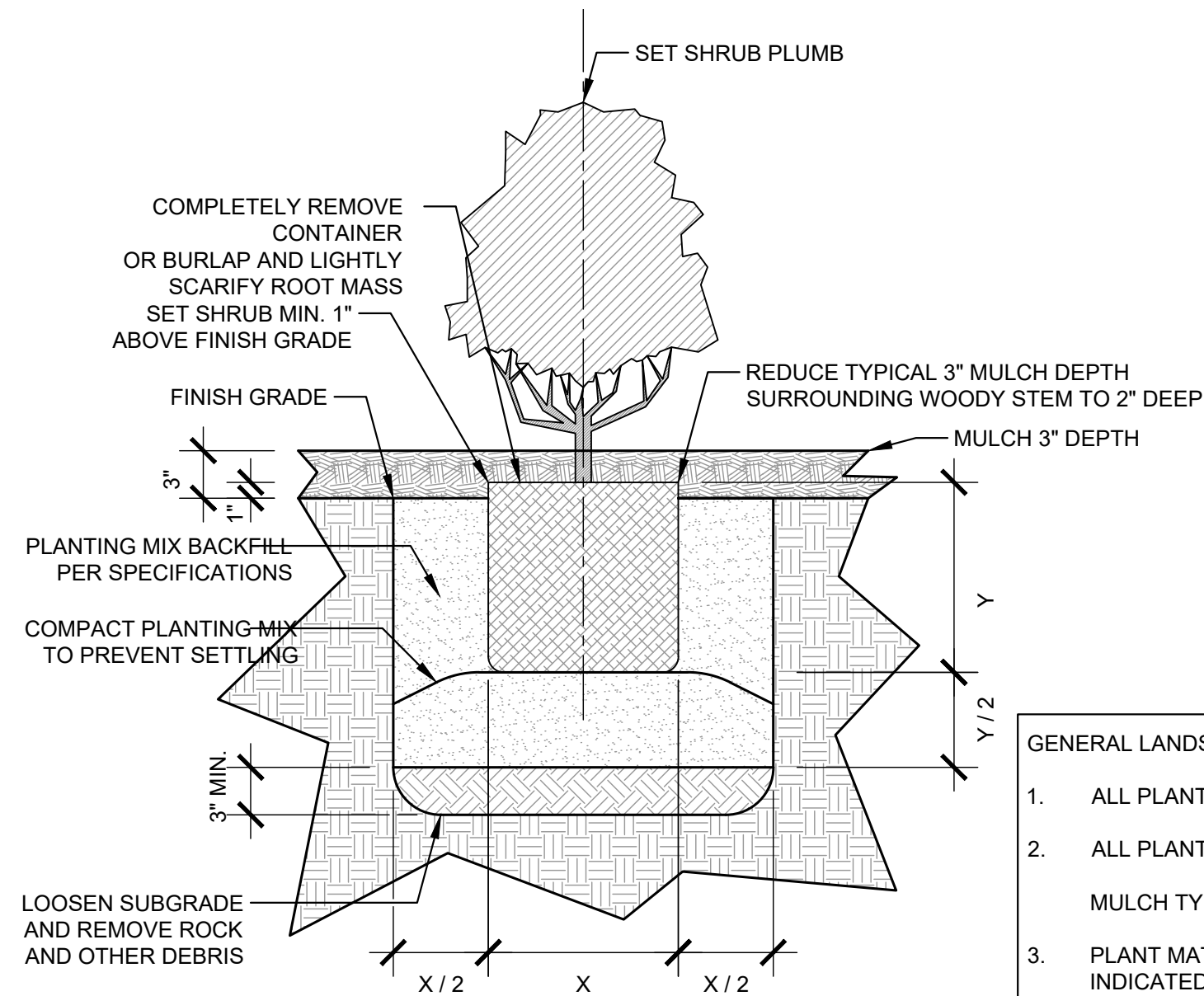
NO.	REVISIONS	DATE	BY

LANDSCAPE PLAN

811
Know what's below. Call before you dig.

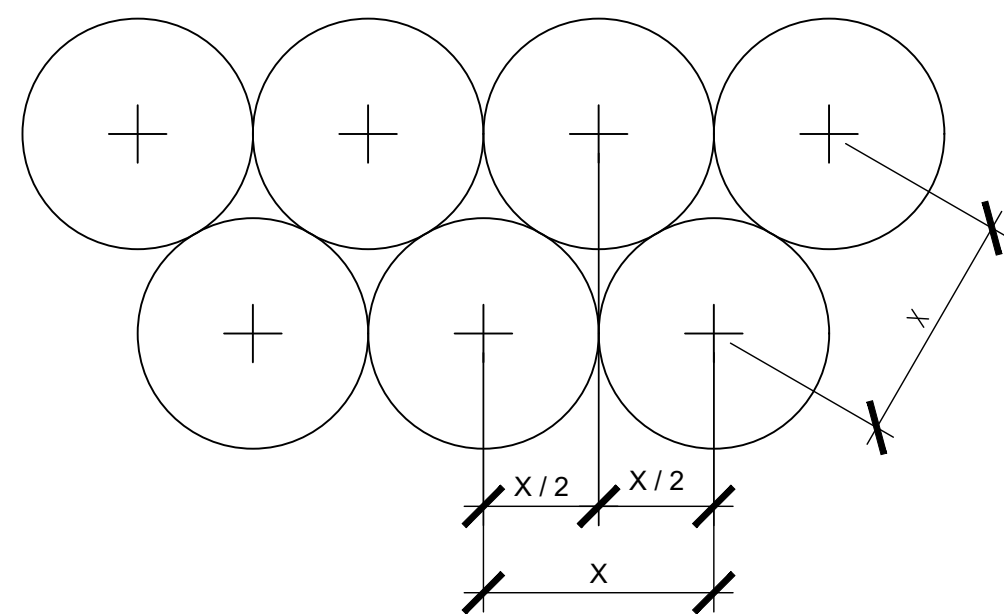
SDP-23-07

Plotted By: Alexander, Jamal Sheet Set: THE LEARNING CENTER ROLESVILLE Layout: L2.LANDSCAPE DETAILS January 02, 2024 05:08:17pm K:\REAL_LDEV\013031004_Rolesville Learning_Center\PI.D CAD Files\PlanSheets\L2.LANDSCAPE DETAILS.dwg
 This document, together with the concepts and designs presented herein, is an instrument of service, as intended only for the specific purpose and client for which it was prepared. Reuse of and improper reliance on this document without written authorization and adaptation by Kimley-Horn and Associates, Inc. shall be without liability to Kimley-Horn and Associates, Inc.



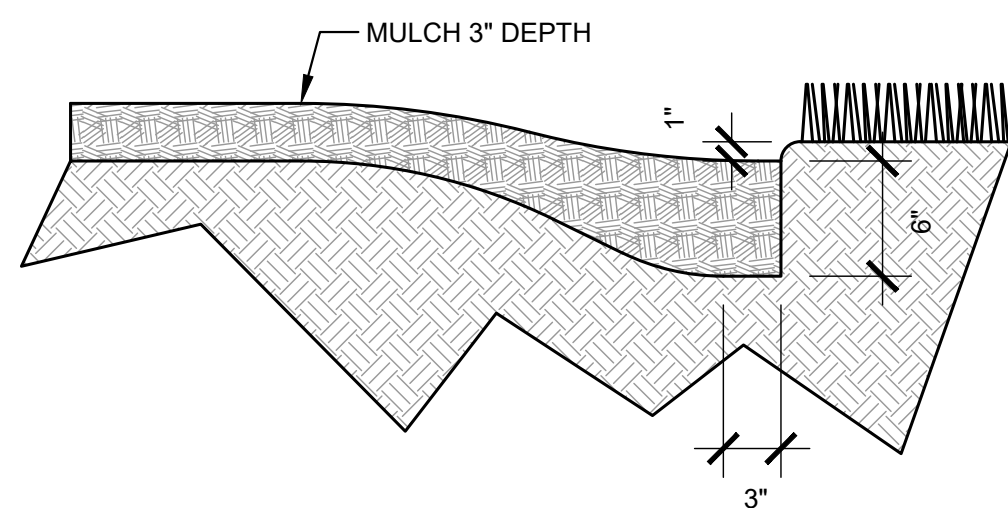
1
 LS-2
TYPICAL SHRUB PLANTING
 SECTION
 SCALE: 1"=1'-0"

- GENERAL LANDSCAPE NOTES:**
- ALL PLANT MATERIAL PRICING SHALL INCLUDE MULCH, BED PREPARATION, AND STAKING.
 - ALL PLANTING BEDS SHALL RECEIVE 3" (THREE INCHES) OF MULCH.
MULCH TYPE FOR PROJECT: DOUBLE SHREDDED HARDWOOD
 - PLANT MATERIAL SPACING SHOWN ON LANDSCAPE PLANS SHALL OVERRIDE TYPICAL PLANT SPACING INDICATED ON PLANT SCHEDULE. LANDSCAPE CONTRACTOR RESPONSIBLE FOR VERIFYING ALL PLANT SPACING AND MAKING MINOR FIELD ADJUSTMENTS DUE TO UTILITY CONFLICTS.



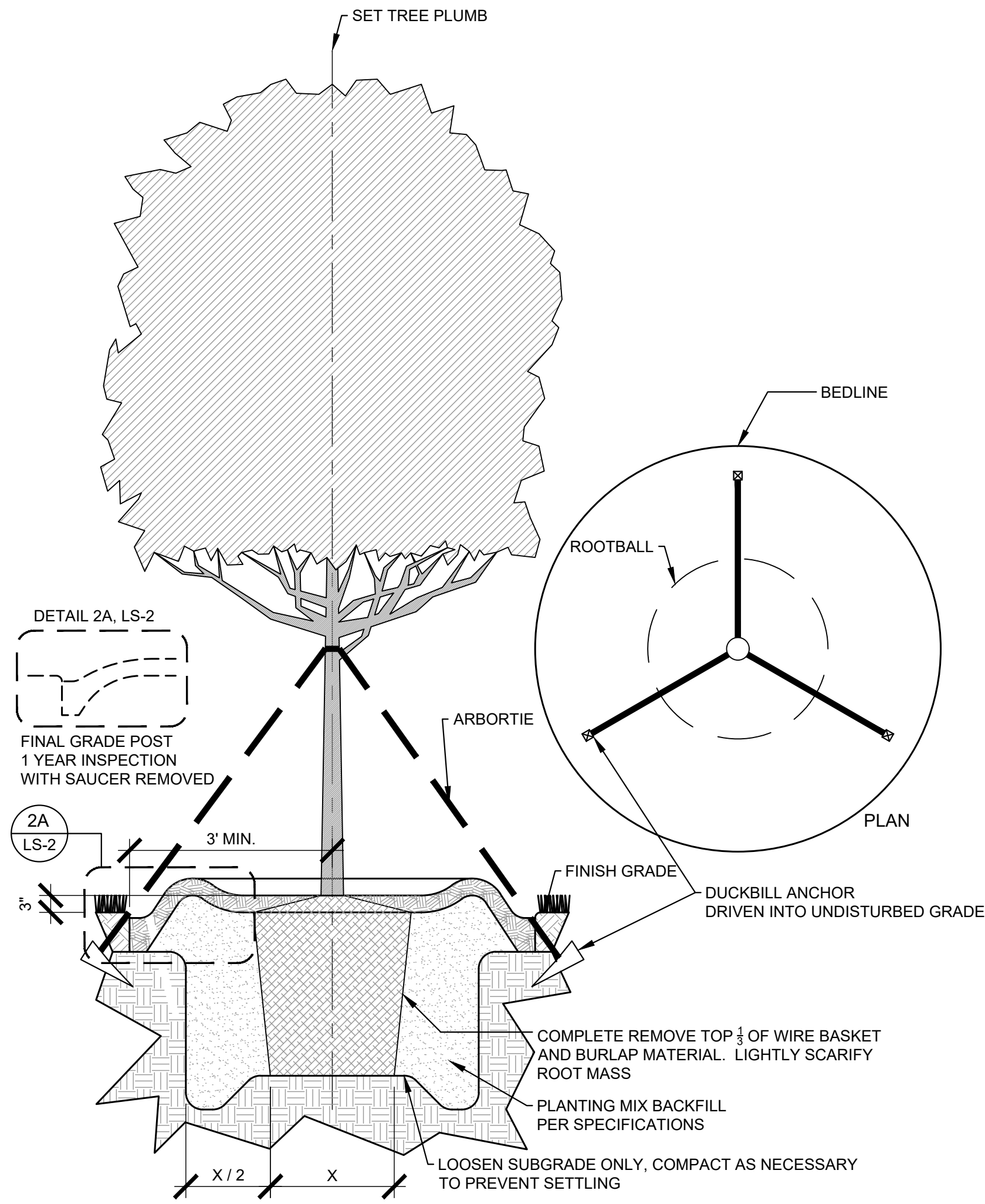
- PLANT SPACING NOTES:**
- SEE PLANTING PLAN FOR SHRUB AND GROUND COVER AREAS.
 - PLANT MATERIAL SHALL BE INSTALLED IN STRAIGHT AND PARALLEL ROWS UNLESS OTHERWISE SHOWN ON DRAWINGS.
 - SEE PLANTING PLAN AND / OR PLANT SCHEDULE FOR ACTUAL PLANT SPACING.

2
 LS-2
TYPICAL STAGGERED ROW PLANT SPACING
 PLAN
 SCALE: 1/2"=1'-0"



- PLANTING BED TRENCH EDGING NOTE:**
- TRENCH EDGE SHALL BE LOCATED BETWEEN PLANTING BED AND ALL TURF OR NATIVE GRASS AREAS.
 - TRENCH EDGE SHALL BE CONSTRUCTED ALONG ALL HARDSCAPE AREAS FOR SIMILAR CONDITION.
 - MAINTAIN POSITIVE DRAINAGE IN ALL PLANTING BEDS.

3
 LS-2
PLANTING BED TRENCH EDGING
 SECTION
 SCALE: 1"=1'-0"



- TREE PLANTING NOTES:**
- 4"-6" DIAMETER RIVER ROCK (INSIDE THE BUILDING PAD) OR 3" MINIMUM OF HARDWOOD BARK MULCH OR AS SPECIFIED (IN OUTLYING PLANT BEDS) (MULCH TYPE FOR PROJECT: SHREDDED CYPRESS MULCH)
 - TOP OF ROOTBALL MIN. 1" ABOVE FINISHED GRADE
 - ROOTBALLS GREATER THEN 24" DIAMETER SHALL BE PLACED ON MOUND OF UNDISTURBED SOIL TO PREVENT SETTLING. ROOTBALLS SMALLER THEN 24" IN DIAMETER MAY SIT ON COMPACTED EARTH.

4
 LS-2
TYPICAL TREE PLANTING & GUYING
 PLAN & SECTION
 SCALE: 1/2"=1'-0"

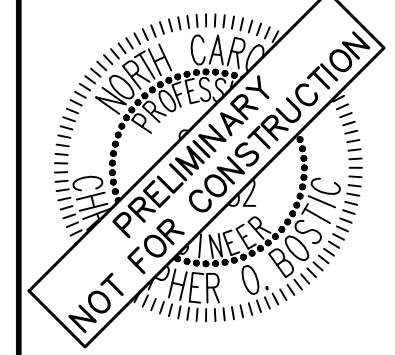
GENERAL LANDSCAPE NOTES:

- ALL PLANTS MUST BE HEALTHY, VIGOROUS MATERIAL, FREE OF PESTS AND DISEASE.
- ALL PLANTS MUST BE CONTAINER GROWN OR BALLED AND BURLAPPED AS INDICATED IN THE PLANT LIST.
- ALL TREES MUST HAVE A STRAIGHT TRUNK AND FULL HEADED AND MEET ALL REQUIREMENTS SPECIFIED.
- ALL PLANTS ARE SUBJECT TO THE APPROVAL OF THE LANDSCAPE ARCHITECT BEFORE, DURING, AND AFTER INSTALLATION.
- ALL TREES MUST BE GUYED OR STAKED AS SHOWN IN THE DETAILS.
- ALL SHADE TREES LOCATED WITHIN VEHICLE SIGHT TRIANGLES SHALL BE BRANCHED MIN. 8' (MEASURED FROM ADJACENT PROJECTED CURB LINE ELEVATION) PER ANSI Z60.1 STANDARDS FOR HEIGHT OF BRANCHING - STREET TREES.
- ALL PLANTING AREAS MUST BE COMPLETELY MULCHED AS SPECIFIED.
- PRIOR TO CONSTRUCTION, THE CONTRACTOR SHALL BE RESPONSIBLE FOR LOCATING ALL UNDERGROUND UTILITIES AND SHALL AVOID DAMAGE TO ALL UTILITIES AND SHALL AVOID DAMAGE TO ALL UTILITIES DURING THE COURSE OF THE WORK. THE CONTRACTOR IS RESPONSIBLE FOR REPAIRING ANY AND ALL DAMAGE TO UTILITIES, STRUCTURES, SITE APPURTENANCES, ETC. WHICH OCCURS AS A RESULT OF THE LANDSCAPE CONSTRUCTION.
- THE CONTRACTOR IS RESPONSIBLE FOR VERIFYING ALL QUANTITIES SHOWN ON THESE PLANS BEFORE PRICING THE WORK. ANY DISCREPANCIES BETWEEN QUANTITIES ON PLAN AND PLANT LIST SHALL BE BROUGHT TO THE ATTENTION OF WAKE COUNTY INSPECTOR AND ANY FIELD ADJUSTMENTS OR QUANTITY ADJUSTMENTS MUST BE AUTHORIZED PRIOR TO PLANTING.
- THE CONTRACTOR IS RESPONSIBLE FOR FULLY MAINTAINING ALL PLANTING (INCLUDING BUT NOT LIMITED TO: WATERING, SPRAYING, MULCHING, FERTILIZING, ETC.) OF THE PLANTING AREAS AND LAWN UNTIL SUBSTANTIAL COMPLETION.
- CONTRACTOR SHALL INSTALL AND MAINTAIN TWO (2) GATORBAGS PER LARGE CANOPY TREE
- THE CONTRACTOR SHALL COMPLETELY GUARANTEE ALL PLANT MATERIAL FOR A PERIOD OF TWO (2) YEAR BEGINNING ON THE DATE OF SUBSTANTIAL COMPLETION. THE CONTRACTOR SHALL PROMPTLY MAKE ALL REPLACEMENTS BEFORE OR AT THE END OF THE GUARANTEE PERIOD.
- LANDSCAPE ARCHITECT SHALL APPROVE ALL BED LAYOUT STAKING PRIOR TO INSTALLATION OF PLANT MATERIAL.
- THE LANDSCAPE ARCHITECT SHALL APPROVE THE STAKING LOCATION OF ALL TREES PRIOR TO INSTALLATION.
- AFTER BEING DUG AT THE NURSERY SOURCE, ALL TREES IN LEAF SHALL BE ACCLIMATED FOR TWO (2) WEEKS UNDER A MIST SYSTEM PRIOR TO INSTALLATION.
- ANY PLANT MATERIAL WHICH DIES, TURNS BROWN, OR DEFOLIATES (PRIOR TO SUBSTANTIAL COMPLETION OF THE WORK) SHALL BE PROMPTLY REMOVED FROM THE SITE AND REPLACED WITH MATERIAL OF THE SAME SPECIES, QUANTITY, AND SIZE AND MEETING ALL PLANT SCHEDULE SPECIFICATIONS.
- STANDARDS SET FORTH IN "AMERICAN STANDARD FOR NURSERY STOCK" REPRESENT GUIDELINE SPECIFICATIONS ONLY AND SHALL CONSTITUTE MINIMUM QUALITY REQUIREMENTS FOR PLANT MATERIAL.
- ALL SHRUB, GROUND COVER AND SEASONAL COLOR ANNUAL PLANTING BEDS ARE TO BE COMPLETELY COVERED WITH DOUBLE SHREDDED HARDWOOD OR CURRENT CITY STANDARD TO A DEPTH OF THREE (3) INCHES.
- LOCATIONS OF EXISTING BURIED UTILITY LINES SHOWN ON THE PLANS ARE BASED UPON BEST AVAILABLE INFORMATION AND ARE TO BE CONSIDERED APPROXIMATE. IT SHALL BE THE RESPONSIBILITY OF THE CONTRACTOR TO VERIFY THE LOCATIONS OF UTILITY LINES AND ADJACENT TO THE WORK AREA. THE CONTRACTOR IS RESPONSIBLE FOR THE PROTECTION OF ALL UTILITY LINES DURING THE CONSTRUCTION PERIOD.
- SAFE, CLEARLY MARKED PEDESTRIAN AND VEHICULAR ACCESS TO ALL ADJACENT PROPERTIES MUST BE MAINTAINED THROUGHOUT THE CONSTRUCTION PROCESS.
- ALL PLANT MATERIAL QUANTITIES SHOWN ARE APPROXIMATE. CONTRACTOR SHALL BE RESPONSIBLE FOR COMPLETE COVERAGE OF ALL PLANTING BEDS AT SPACING SHOWN.
- THE TOP OF ALL ROOT BALLS SHALL BEAR THE SAME RELATIONSHIP TO FINISHED GRADE, AS BORN TO PREVIOUS GRADE AND GROWING CONDITIONS.
- ALL ROOT BALLS REMOVED FROM CONTAINERS SHALL BE SCARIFIED PRIOR TO BACKFILLING.
- ALL STRAPPING AND TOP 2/3 OF WIRE BASKET MUST BE CUT AWAY AND REMOVED FROM ROOT BALL PRIOR TO BACKFILLING PLANTING PIT. REMOVE TOP 1/3 OF THE BURLAP FROM ROOT BALL.
- FOR NEW PLANTING AREAS, REMOVE ALL PAVEMENT, GRAVEL SUB-BASE AND CONSTRUCTION DEBRIS; REMOVE COMPACTED SOIL AND ADD 24" NEW TOPSOIL OR UNCOMPACT AND AMEND THE TOP 24" OF EXISTING SOIL TO MEET TOPSOIL PLANTING MIX STANDARDS FOR TREES. SEE DETAILS THIS SHEET.
- THE CONTRACTOR SHALL BE RESPONSIBLE FOR INSTALLING TREES AND SHRUBS THAT WILL MEET BOTH MINIMUM SIZE AND SPACING FOR TREE AND ZONING ORDINANCE COMPLIANCE. FAILURE TO INSTALL PLANT MATERIAL PER THIS PLAN WILL JEOPARDIZE ISSUANCE OF FINAL CERTIFICATE OF OCCUPANCY. CONTRACTOR SHALL BE RESPONSIBLE FOR SCHEDULING INSPECTIONS OF PLANT MATERIAL.
- CONTRACTOR SHALL COMPLY WITH ALL APPLICABLE CODES & ORDINANCES REGARDING LANDSCAPING. GENERAL CONTRACTOR IS TO CLEAN THE ENTIRE SITE OF ALL CONSTRUCTION DEBRIS AND TO RAKE ENTIRE SITE.
- THE CONTRACTOR SHALL INSTALL BLACK FABRIC MESH UNDER PLANTING BED MULCH TO PREVENT WEED GROWTH.
- EACH LARGE CANOPY TREE AT THE TIME OF PLANTING SHALL BE A MINIMUM OF TWO (2) INCHES IN CALIPER AND EIGHT (8) - TEN (10) FEET IN HEIGHT. WHEN MATURE, A LARGE CANOPY TREE SHOULD BE AT LEAST FORTY (40) FEET HIGH AND HAVE A MINIMUM CROWN WIDTH OF THIRTY (30) FEET. LARGE CANOPY TREES MAY BE SUBSTITUTED WITH TWO (2) UNDERSTORY TREES. HOWEVER, NO MORE THAN FIFTY (50) PERCENT OF THE REQUIRED LARGE CANOPY TREES MAY BE SUBSTITUTED. EACH UNDERSTORY TREE AT THE TIME OF PLANTING SHALL BE A MINIMUM OF ONE (1) INCH IN CALIPER AND EIGHT (8) FEET IN HEIGHT. WHEN MATURE, AN UNDERSTORY TREE SHOULD BE BETWEEN FIFTEEN (15) AND FORTY (40) FEET HEIGHT. EVERY TWO (2) UNDERSTORY TREES MAY BE SUBSTITUTED WITH ONE (1) LARGE CANOPY TREE. HOWEVER, NO MORE THAN FIFTY (50) PERCENT OF THE REQUIRED UNDERSTORY TREES MAY BE SUBSTITUTED. EACH SHRUB AT THE TIME OF PLANTING SHALL BE 3 GALLON SIZE OR LARGER. SUBSTITUTIONS SHOULD BE CONFIRMED WITH THE PLANNING DIVISION.

NOTE:
 Each large canopy tree at the time of planting shall be a minimum of two (2) inches in caliper and eight (8) - ten (10) feet in height. When mature, a large canopy tree should be at least forty (40) feet high and have a minimum crown width of thirty (30) feet. Large canopy trees may be substituted with two (2) understory trees. However, no more than fifty (50) percent of the required large canopy trees may be substituted. Each understory tree at the time of planting shall be a minimum of one (1) inch in caliper and eight (8) feet in height. When mature, an understory tree should be between fifteen (15) and forty (40) feet height. Every two (2) understory trees may be substituted with one (1) large canopy tree. However, no more than fifty (50) percent of the required understory trees may be substituted. Each shrub at the time of planting shall be 3 gallon size or larger. Substitutions should be confirmed with the Planning Division.

No.	REVISIONS	DATE	BY
1			
2			
3			
4			
5			
6			
7			

Kimley»Horn
 © 2023 KIMLEY-HORN AND ASSOCIATES, INC.
 421 FAYETTEVILLE STREET, SUITE 800, RALEIGH, NC 27601
 #F-0102 WWW.KIMLEY-HORN.COM PHONE: 919.677.2000 FAX: 919.677.2050



KHA PROJECT	013031004
DATE	09/29/2023
SCALE	AS SHOWN
DESIGNED BY	JAA
DRAWN BY	JAA
CHECKED BY	COB

LANDSCAPE DETAILS

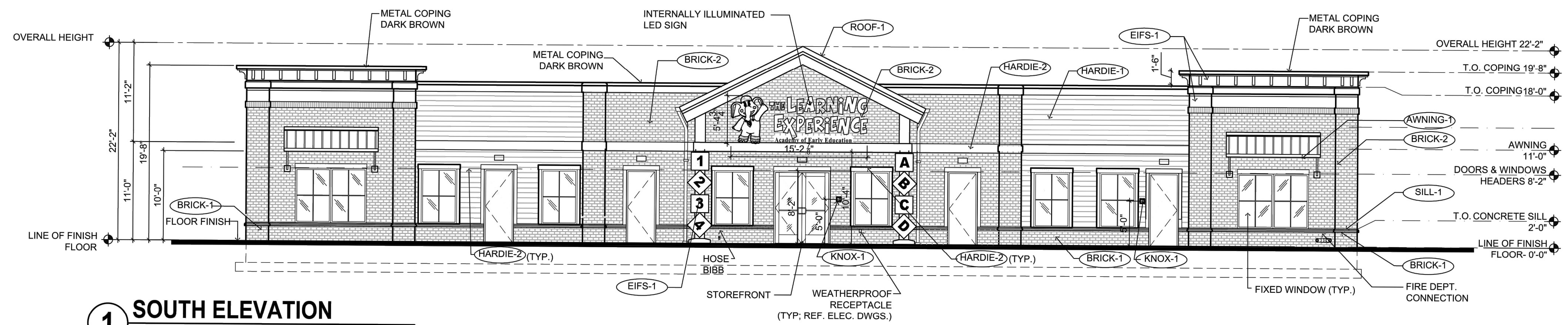
THE LEARNING CENTER ROLESVILLE
 PREPARED FOR
ROLESVILLE, LLC.
 NORTH CAROLINA

SHEET NUMBER
L2.0

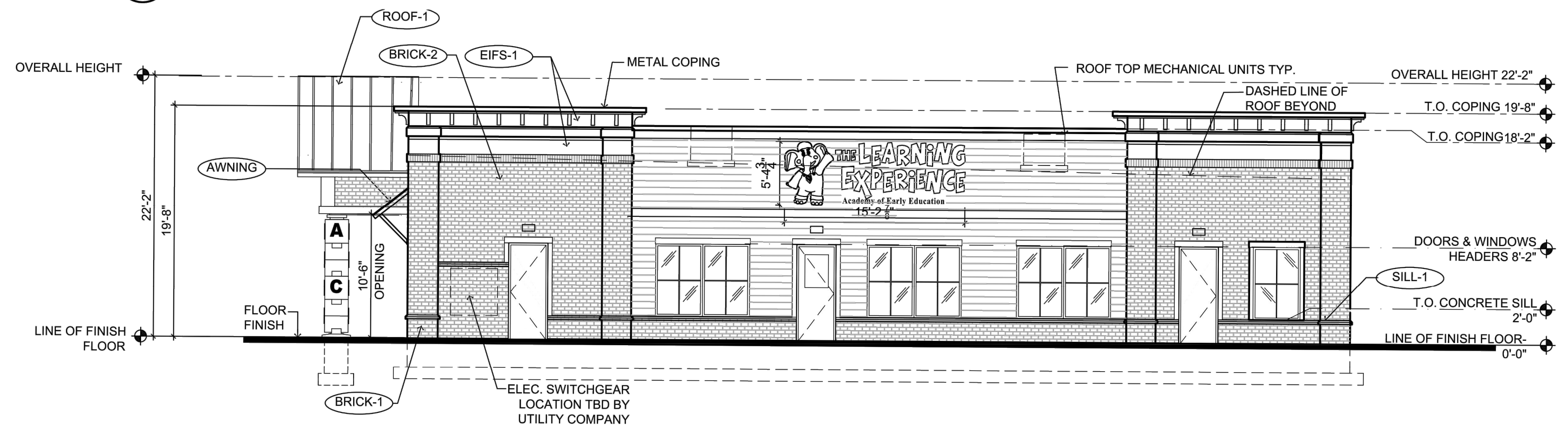


SDP-23-07

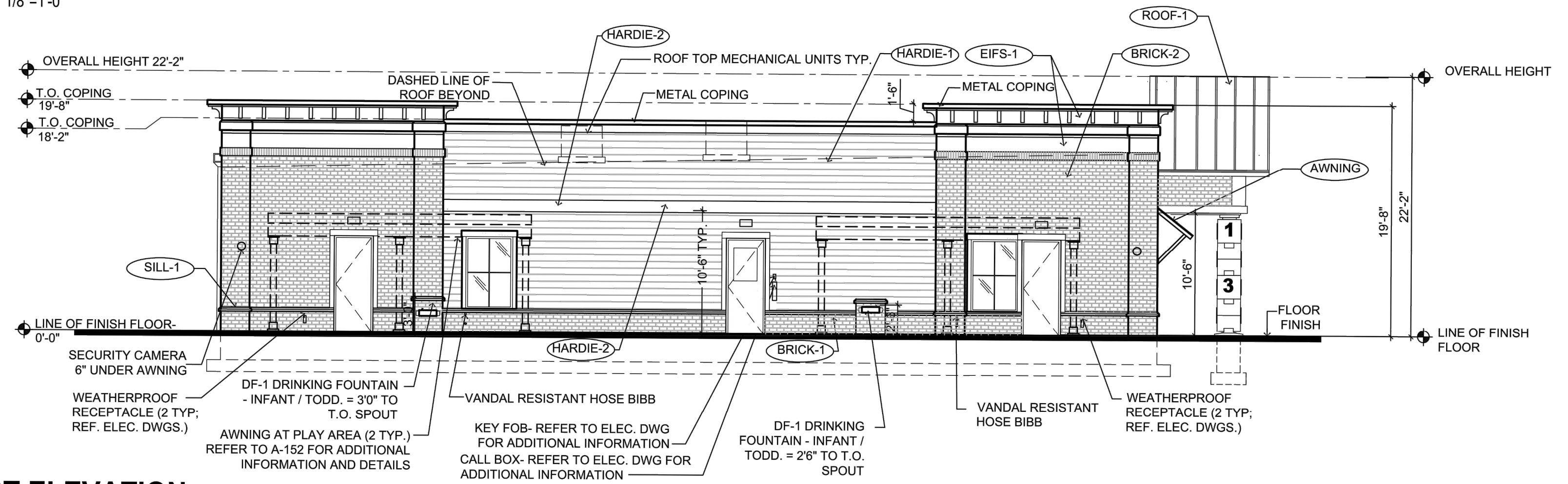
H-DRAWINGS: TITLE - THE LEARNING EXPERIENCE - NORTH CAROLINA; TLENC23-228 - TLE ROLESVILLE US HWY 401 S MAIN ST; SPACE PLAN; TITLE; TLENC23-228-SA-1.DWG CSCHWEIKER PLOTTED: 12/21/2023



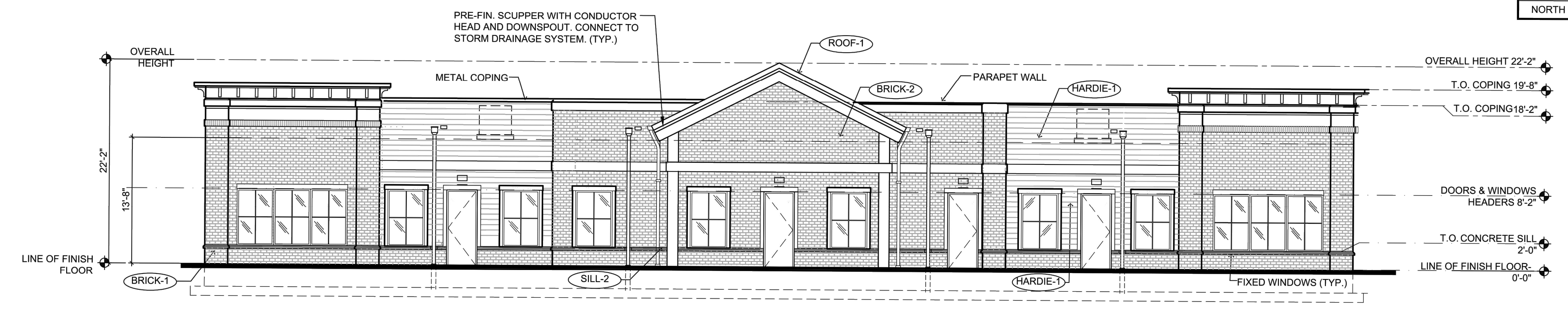
1 SOUTH ELEVATION
SCALE: 1/8"=1'-0"



2 EAST ELEVATION
SCALE: 1/8"=1'-0"



3 WEST ELEVATION
SCALE: 1/8"=1'-0"



4 NORTH ELEVATION
SCALE: 1/8"=1'-0"

1. CONTRACTOR SHALL SUPERVISE AND DIRECT THE WORK USING THE CONTRACTOR'S BEST SKILL AND ATTENTION. THE CONTRACTOR SHALL BE SOLELY RESPONSIBLE AND HAVE CONTROL OVER CONSTRUCTION MEANS, METHODS, TECHNIQUES, SEQUENCE, AND JOB SITE SAFETY.
2. GC MUST PROVIDE & INSTALL ALL PRODUCTS PER PLANS. ONLY SUBSTITUTED PRODUCTS NEED TO BE SUBMITTED TO THE ARCHITECT FOR APPROVAL. UNAPPROVED SUBSTITUTIONS WILL BE REPLACED AT THE EXPENSE OF THE GC.
3. VERBAL REPRESENTATION HAS NO VALUE AND ALL REQUESTS TO CHANGE ANY PRODUCTS OR SPECIFICATIONS PER PLANS, MUST BE SUBMITTED IN WRITING TO THE ARCHITECT & TLE FOR APPROVAL.

Jarmel Kizel
ARCHITECTS AND ENGINEERS INC.
42 OKNER PARKWAY
LIVINGSTON, NEW JERSEY 07039
TEL: 973-994-9669
FAX: 973-994-4069
www.jarmelkizel.com
Architecture
Engineering
Interior Design
Implementation Services

EXTERIOR MATERIAL SCHEDULE			
LABEL	MANUFACTURER	SIZE / TYPE	FINISH / COLOR
STOREFRONT	KAWNEER	TRIFAB 451T / 350 PER DOOR SCHEDULE	DARK BRONZE
DOOR	-	PER DOOR SCHEDULE	FACTORY PRIMED
FIXED WINDOW	PLY GEM	SILVER LINE V1 SERIES PER WINDOW SCHEDULE	DARK BRONZE
SILL-1	ROCKCAST	CAST STONE SILL	BUFFSTONE
SILL-2	ROCKCAST	CUSTOM SILL 3 3/4"Hx4"W W/ 2" FLAT REF. DTL. 6/A-032	BUFFSTONE
BRICK-1	GENERAL SHALE	MODULAR BRICK VENEER	DUTCH CHOCOLATE
BRICK-2	GENERAL SHALE	MODULAR BRICK VENEER	MILLBROOK
HARDIE-1	JAMES HARDIE	HARDIEPLANK LAP SIDING	COBBLESTONE
HARDIE-2	JAMES HARDIE	HARDIEPLANK TRIM	WHITE
EIFS-1	DRYVIT	SMOOTH FINISH	SW 7044 AMAZING GRAY
ROOF-1	BERRIDGE	STANDING SEAM METAL	DARK BRONZE
AWNING-1	BERRIDGE	STANDING SEAM AWNING W/ FRAME	DARK BRONZE
AWNING-2	-	FABRIC AWNING OVER FRAME REFER TO NOTE #4	MIDNIGHT BLUE
KNOX-1	KNOX BOX	3200 SERIES W/ RECESSED MOUNT FLANGE, HINGE DOOR, & TAMPER SWITCH	DARK BRONZE (REF. NOTE 2 BELOW)
KNOX-2	KNOX BOX	1650 SERIES W/ RECESSED MOUNT FLANGE, HINGE DOOR, & TAMPER SWITCH	DARK BRONZE (REF. NOTE 2 BELOW)

FINISH SCHEDULE NOTES:
1. G.C. SHALL VERIFY KNOX BOX MODEL(S) AND LOCATION(S) WITH AUTHORITY HAVING JURISDICTION PRIOR TO ORDERING AND INSTALLATION.
2. G.C. SHALL ENSURE ALL EXTERIOR FINISHES ARE INSTALLED AND FINISHED IN COMPLIANCE WITH MANUFACTURERS' WARRANTY REQUIREMENTS.
3. IF BLOCKS ARE NOT PERMITTED, COLUMNS MUST MATCH EXTERIOR FINISH OF THE BUILDING.
4. PER 2015 IBC SECTION 3105, AWNING FRAMES SHALL BE OF NONCOMBUSTIBLE MATERIALS AND DESIGNED TO RESIST APPLICABLE WIND LOADS. THE COVERING FABRIC SHALL HAVE A FLAME SPREAD RATING NOT GREATER THAN 25.

TRANSPARENCY CALCULATIONS				
	WALL	TRANSPARENCY	REQUIRED	PROVIDED
SOUTH	1,313 SQ. FT.	408 SQ. FT.	30.0%	31.07%
EAST	840 SQ. FT.	256 SQ. FT.	30.0%	30.48%
WEST	N/A	N/A	N/A	N/A
NORTH	1,313 SQ. FT.	431 SQ. FT.	30.0%	32.83%

THE LEARNING EXPERIENCE
ACADEMY OF EARLY EDUCATION
US Hwy 401 S Main St
ROLESVILLE NORTH CAROLINA

ISSUE			
NO.	DATE	DESCRIPTION	INT.

REVISION			
NO.	DATE	DESCRIPTION	INT.

PROFESSIONAL CERTIFICATION
NAME OF LICENSEE:
MATTHEW B. JARMELE
LICENSE NUMBER: 10120

Project Number: TLENC23-228
Scale: AS NOTED
Drawn By: BB
Approved By: —

Drawing Name:
PROPOSED ELEVATIONS
Drawing Number:
SA-1.2