

V3 - SDP-23-07

THE LEARNING CENTER ROLESVILLE

302 SOUTH MAIN STREET
ROLESVILLE, NC 27571

A DEVELOPMENT BY:
ROLESVILLE, LLC.

PROJECT NO.: SDP-23-07
DATE: OCTOBER 02, 2023

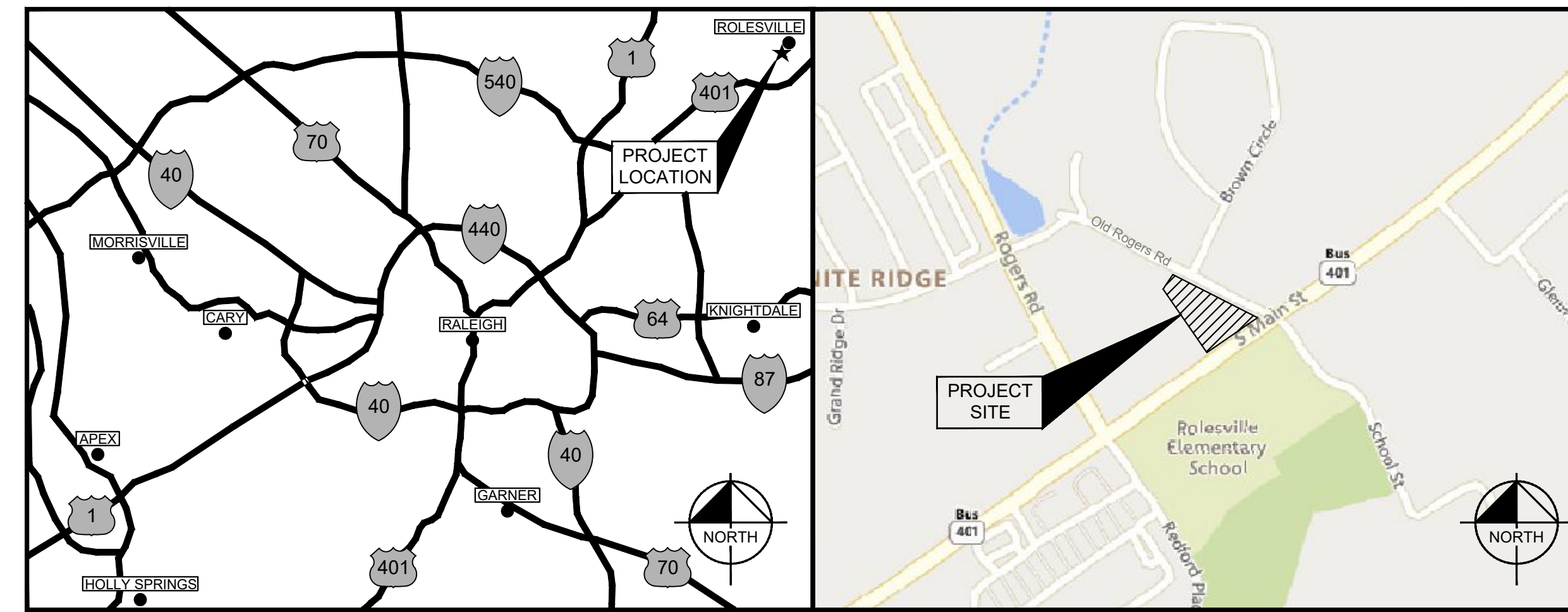
SITE DATA TABLE

PIN:	1759808293
TOTAL SITE AREA:	1.25 AC
EXISTING ZONING:	GENERAL COMMERCIAL (GC)
BUFFERS:	REQUIRED: 30' STREET BUFFER (S MAIN ST) 10' STREET BUFFER (OLD ROGERS RD) 25' TYPE 3 PERIMETER BUFFER (REAR) PROVIDED: 10' STREET BUFFER* (S MAIN ST) 10' STREET BUFFER (OLD ROGERS RD) 7' PERIMETER BUFFER (REAR)**
PROPERTY SETBACKS:	REQUIRED: FRONT: 20' SIDE: 15' REAR: 35' CORNER: 25' PROVIDED: FRONT: 7* SIDE: 15' REAR: 35' CORNER: 25'
WATERSHED:	SANFORD CREEK
RIVER BASIN:	NEUSE
CURRENT USE:	VACANT
PROPOSED USE:	COMMERCIAL
CURRENT IMPERVIOUS:	8,680 SF
PROPOSED IMPERVIOUS:	34,457 SF
PARKING:	MIN. REQUIRED: (2.5 SPACES/1,000 SF) $\frac{10,000 \text{ SF}}{25} = 25 \text{ SPACES}$ MAX. ALLOWED: (5 SPACES/1,000 SF) $\frac{10,000 \text{ SF}}{20} = 50 \text{ SPACES}$ PROVIDED: 33 SPACES
ACCESSIBLE PARKING:	REQUIRED: 2 SPACES PROVIDED: 2 SPACES
BICYCLE PARKING:	MIN. REQUIRED: (1 SPACE/5,000 SF) $\frac{10,000 \text{ SF}}{5} = 2 \text{ SPACES}$ PROVIDED: 2 SPACES
TREE COVERAGE DATA:	SEE SHEET L1.0
BUILDING HEIGHT:	22'
BUILDING SQUARE FOOTAGE:	10,000 SF
OPEN SPACE: (PER LDO SEC. 6.2.1.D.3)	MIN. REQUIRED: 5% $\frac{10,000 \text{ SF}}{20} = 3,327 \text{ SF}$ PROVIDED: 6,150 SF

*PER LDO SEC. 3.2.1.C, THE PROJECT IS PROPOSING A 65% REDUCTION TO THE REQUIRED 30' BUILDING SETBACK ALONG S MAIN ST. THE PROJECT WILL MEET THIS REQUIREMENT BY PROVIDING THE ITEMS LISTED IN LDO 3.2.1.C.1-3, 3.2.1.C.4, AND 3.2.1.C.6. THESE INCLUDE MIN. BUILDING AND ACTIVE SPACE FRONTAGE OF TWO-THIRDS STREET FRONTAGE, MAX. VEHICULAR SURFACE AREA OF ONE-THIRD STREET FRONTAGE, 10' SIDEWALK, ENHANCED LANDSCAPING, AND AN ART INSTALLATION.

**THE PROJECT INTENDS TO REQUEST A VARIANCE WITH THE BOARD OF ADJUSTMENT TO ADDRESS THE REDUCTION IN THE 25' TYPE 3 PERIMETER BUFFER.

COMPLIANCE WITH 6.8.4.B.2 IS ACHIEVED WITH PATIO, PEDESTRIAN PLAZA WITH BENCHES, LARGE POTTED PLANT, AND ENHANCED PAVING AREA.



PROJECT LOCATION MAP

SCALE: NOT TO SCALE

VICINITY MAP

SCALE: 1" = XXX'

PROJECT OWNERS & CONSULTANTS

OWNER/DEVELOPER

ROLESVILLE, LLC
11018 RUSHMORE DRIVE, SUITE 160
CHARLOTTE, NORTH CAROLINA 28277
CONTACT: MARLAINE KLINTWORTH
PHONE: (919) 868-4472
EMAIL: mvkcommercial@gmail.com

CIVIL ENGINEER

KIMLEY-HORN AND ASSOCIATES, INC.
421 FAYETTEVILLE ST., SUITE 600
RALEIGH, NORTH CAROLINA 27601
CONTACT: CHRIS BOSTIC, P.E.
PHONE: (919) 853-2927
EMAIL: chris.bostic@kimley-horn.com

LANDSCAPE ARCHITECT

KIMLEY-HORN AND ASSOCIATES, INC.
421 FAYETTEVILLE ST., SUITE 600
RALEIGH, NORTH CAROLINA 27601
CONTACT: ADAM FULLERTON, MLA, ASLA
PHONE: (919) 853-2927
EMAIL: adam.fullerton@kimley-horn.com

SURVEYOR

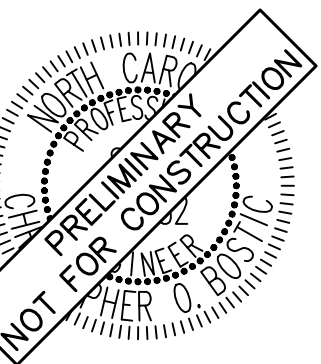
CMP PROFESSIONAL LAND SURVEYORS, PC
333 S. WHITE ST
WAKE FOREST, NORTH CAROLINA 27587
CONTACT: MICHAEL A. MOSS, PLS
PHONE: (919) 556-3148
EMAIL: mike@cnppls.com

Sheet List Table

Sheet Number	Sheet Title
C0.0	COVER SHEET
C0.1	GENERAL NOTES
C1.0	EXISTING CONDITIONS & DEMOLITION PLAN
C2.0	SITE PLAN
C2.1	TRUCK ROUTING EXHIBIT
C2.2	TRUCK ROUTING EXHIBIT
C2.3	BUILD TO EXHIBIT
C3.0	GRADING PLAN
C4.0	UTILITY PLAN
C4.1	MECHANICAL PLAN
C4.2	SEPTIC TANK DETAILS
C5.0	EROSION CONTROL PLAN - PHASE 1
C5.1	EROSION CONTROL PLAN - PHASE 2
C5.2	EROSION CONTROL DETAILS
C5.3	EROSION CONTROL DETAILS
C8.0	SITE DETAILS
C8.1	SITE DETAILS
C9.0	STORM DETAILS
C9.1	STORM DETAILS
C10.0	SANITARY SEWER DETAILS
C11.0	WATER DETAILS
C11.1	WATER DETAILS
LT1.0	SITE LIGHTING PLAN
L1.0	LANDSCAPE PLAN
L2.0	LANDSCAPE DETAILS
SA 1.1	PROPOSED FLOOR PLAN
SA 1.2	PROPOSED ELEVATIONS

Kimley»Horn

© 2023 KIMLEY-HORN AND ASSOCIATES, INC.
WWW.KIMLEY-HORN.COM PHONE: 919.677.2000 FAX: 919.677.2050
421 FAYETTEVILLE STREET, SUITE 600, RALEIGH, NC 27601



KHA PROJECT	016085008
DATE	06/29/2023
SCALE	AS SHOWN
DESIGNED BY	JAA
DRAWN BY	JAA
CHECKED BY	COB

COVER SHEET

THE LEARNING
CENTER ROLESVILLE
PREPARED FOR
ROLESVILLE, LLC.
TOWN OF ROLESVILLE
NORTH CAROLINA

SHEET NUMBER
C0.0

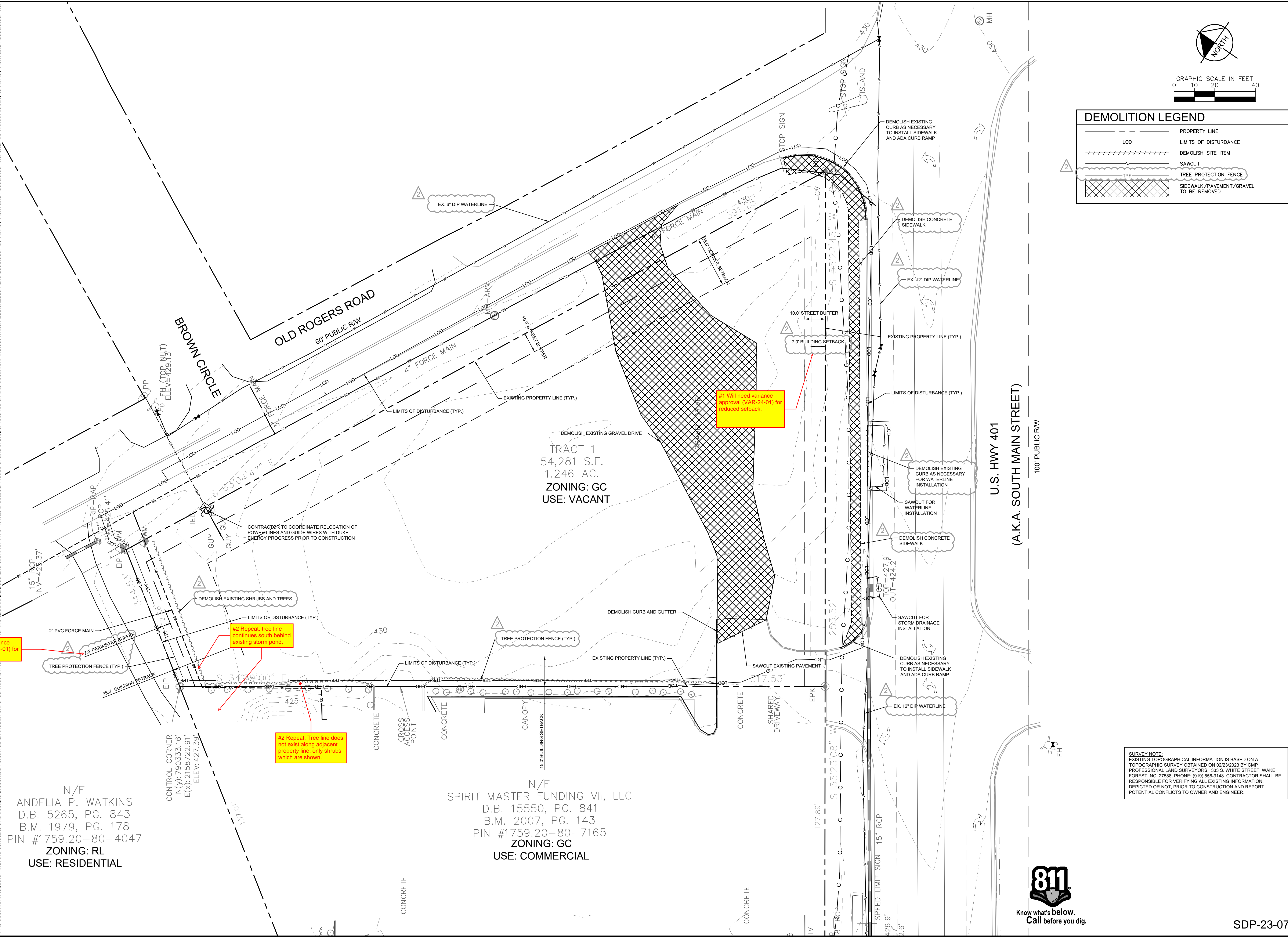
SURVEY NOTE:
EXISTING TOPOGRAPHICAL INFORMATION IS BASED ON A TOPOGRAPHIC SURVEY OBTAINED ON 02/23/2023 BY CMP PROFESSIONAL LAND SURVEYORS, 333 S. WHITE STREET, WAKE FOREST, NC, 27588. PHONE: (919) 556-3148. CONTRACTOR SHALL BE RESPONSIBLE FOR VERIFYING ALL EXISTING INFORMATION, DEPICTED OR NOT, PRIOR TO CONSTRUCTION AND REPORT POTENTIAL CONFLICTS TO OWNER AND ENGINEER.



SDP-23-07

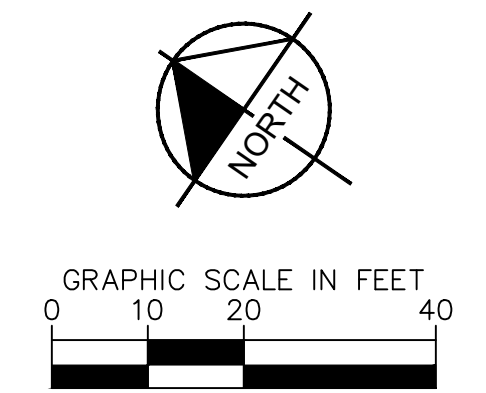
Plotted By: Alexander, Jamal Sheet Set: THE LEARNING CENTER ROLESVILLE Layout: C0.0 COVER SHEET March 01, 2024 05:19:24pm K:\RAL_LDEV\013031004_Rolesville_Learning_Center\P10_CAD Files\PlanSheets\C0.0 COVER SHEET.dwg
 This document, together with the concepts and designs presented herein, is an instrument of service, as an instrument of service, is intended only for the specific purpose and client for which it was prepared. Reuse of and improper reliance on this document without written authorization and adaptation by Kimley-Horn and Associates, Inc. shall be without liability to Kimley-Horn and Associates, Inc.

Plotted By: Alexander, Jamal Sheet Set: THE LEARNING CENTER ROLESVILLE, Layout: C1.0 EXISTING CONDITIONS & DEMOLITION PLAN, Job No: 2023-03-01, Date: 03/01/2024, 05:18:49pm, K:\RAL - LDEV\013031004 - Rolesville - Learning Center\19_CAD Files\PlanSheets\C-003 EXISTING CONDITIONS & DEMOLITION PLAN.dwg
 This document, together with the concepts and designs presented herein, is an instrument of service, and shall be without liability to Kimley-Horn and Associates, Inc. for the specific purpose and client for which it was prepared. Reuse of and improper reliance on this document without written authorization and adaptation by Kimley-Horn and Associates, Inc. shall be without liability to Kimley-Horn and Associates, Inc.



DEMOLITION LEGEND

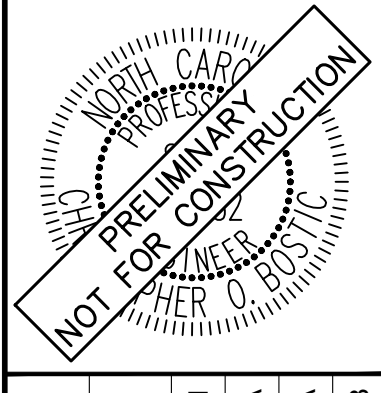
- PROPERTY LINE
- LIMITS OF DISTURBANCE
- DEMOLISH SITE ITEM
- SAWCUT
- TREE PROTECTION FENCE
- SIDEWALK/PAVEMENT/GRAVEL TO BE REMOVED



No.	REVISIONS	DATE	BY
1			
2			
3			
4			
5			
6			
7			

Kimley»Horn

© 2023 KIMLEY-HORN AND ASSOCIATES, INC.
 #F-0102 WWW.KIMLEY-HORN.COM PHONE: 919.677.2000 FAX: 919.677.2050
 421 FAYETTEVILLE STREET, SUITE 600, RALEIGH, NC 27601



KHA PROJECT	016485000
DATE	10/31/2023
SCALE	AS SHOWN
DESIGNED BY	JAA
DRAWN BY	JAA
CHECKED BY	COB

EXISTING CONDITIONS & DEMOLITION PLAN

THE LEARNING CENTER ROLESVILLE
 PREPARED FOR
ROLESVILLE, LLC.
 TOWN OF ROLESVILLE, NORTH CAROLINA

SURVEY NOTE:
 EXISTING TOPOGRAPHICAL INFORMATION IS BASED ON A TOPOGRAPHIC SURVEY OBTAINED ON 02/23/2023 BY CMP PROFESSIONAL LAND SURVEYORS, 333 S. WHITE STREET, WAKE FOREST, NC, 27988. PHONE: (919) 556-3148. CONTRACTOR SHALL BE RESPONSIBLE FOR VERIFYING ALL EXISTING INFORMATION, DEPICTED OR NOT, PRIOR TO CONSTRUCTION AND REPORT POTENTIAL CONFLICTS TO OWNER AND ENGINEER.



Plotted By: Alexander, Jamal Sheet Set: THE LEARNING CENTER ROLESVILLE, Layout: C2.0 SITE PLAN, March 01, 2024, 05:20:04pm, K:\RAL_LDEV\013031004_Rolesville_Leaning_Center\PI10_CAD Files\Site\Sheets\C2.0 SITE PLAN.dwg
 This document, together with the concepts and designs presented herein, is intended only for the specific purpose and client for which it was prepared. Reuse of and improper reliance on this document without written authorization and adaptation by Kimley-Horn and Associates, Inc. shall be without liability to Kimley-Horn and Associates, Inc.

The Learning Experience

Project: **VWP-V-L30740-TFT-DBZ-CGL-EM4W-DIM-UNV**

Type: **HE**

VWP VWP Architectural Wall Pack

Williams

Ray Sefcik ray.sefcik@ced.com 817-252-4014

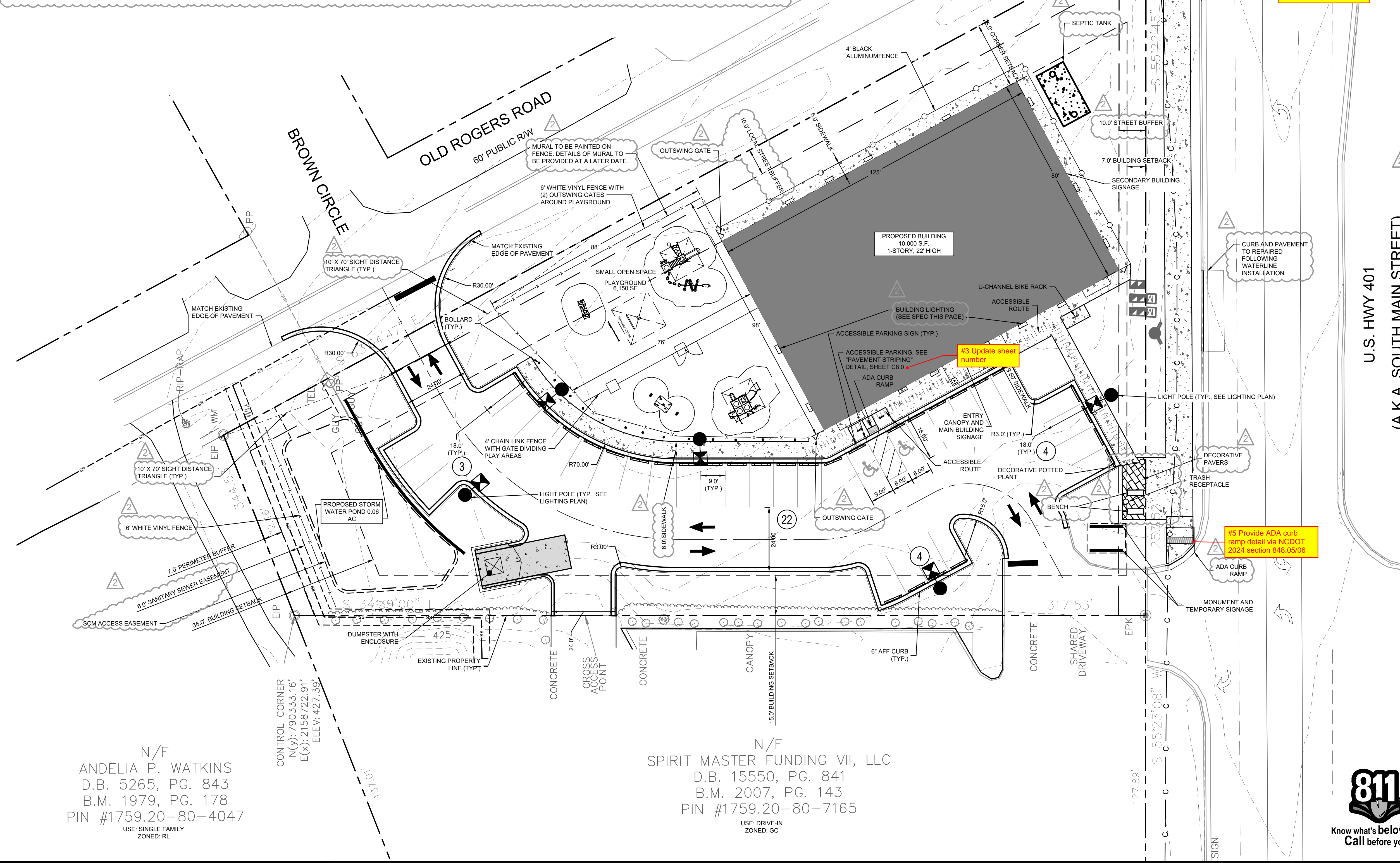
ED NATIONAL ACCOUNTS

VWP VWP Architectural Wall Pack

VWP VWP Architectural Wall Pack

VWP VWP Architectural Wall Pack

USE: VACANT ZONED: RL



SITE LEGEND

- PROPERTY LINE
- EASEMENT LINE
- 6" WHITE VINYL FENCE
- 4" WHITE PVC FENCE
- 4" CHAIN LINK FENCE
- STANDARD CURB AND GUTTER
- PARKING SPACE COUNT SIGN (SEE PLAN)
- LIGHT POLE
- WHEEL STOP
- ACCESSIBLE PARKING MARKING (V INDICATES VAN ACCESSIBLE)
- DIRECTIONAL PAVEMENT ARROWS
- ACCESSIBLE RAMP
- ACCESSIBLE ROUTE
- LIGHT DUTY ASPHALT
- HEAVY DUTY ASPHALT
- STANDARD DUTY CONCRETE
- HEAVY DUTY CONCRETE
- DECORATIVE PAVERS

GRAPHIC SCALE IN FEET
0 10 20 40

U.S. HWY 401
(A.K.A. SOUTH MAIN STREET)

811
Know what's below. Call before you dig.

THE LEARNING CENTER ROLESVILLE
PREPARED FOR
ROLESVILLE, LLC.
TOWN OF ROLESVILLE
NORTH CAROLINA

SITE PLAN

SDP-23-07

C2.0

NO.	REVISIONS	DATE	BY
1		03/01/2024	JAA
2		01/02/2024	JAA
3			
4			
5			
6			
7			

TOWN COMMENTS: 03/01/2024, JAA

TOWN COMMENTS: 01/02/2024, JAA

Kimley»Horn
© 2023 KIMLEY-HORN AND ASSOCIATES, INC.
#F-0102 WWW.KIMLEY-HORN.COM PHONE: 919-677-2000 FAX: 919-677-2050
421 FAYETTEVILLE STREET, SUITE 800, RALEIGH, NC 27601

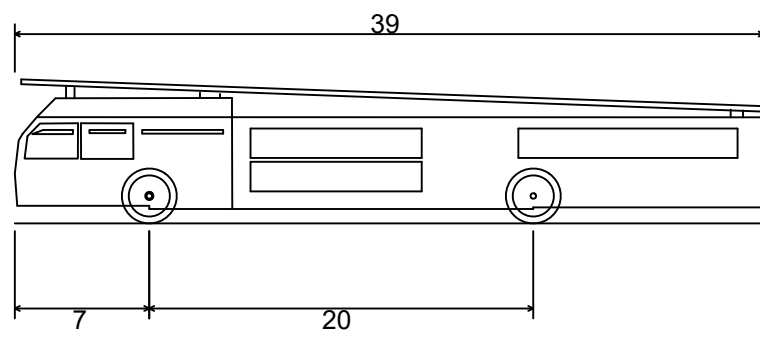
NOT FOR CONSTRUCTION

RHA PROJECT: 016485000
DATE: 10/31/2023
SCALE: AS SHOWN
DESIGNED BY: JAA
DRAWN BY: JAA
CHECKED BY: COE

THE LEARNING CENTER ROLESVILLE
PREPARED FOR
ROLESVILLE, LLC.
TOWN OF ROLESVILLE
NORTH CAROLINA

SHEET NUMBER
C2.0

Plotted By: Alexander, Jamal Sheet Set: THE LEARNING CENTER ROLESVILLE Layout: C2.1 TRUCK ROUTING EXHIBIT March 01, 2024 05:20:19pm K:\REAL_LDEV\013031004_Rolesville_Leaning_Center\F10_CAD_Files\PlanSheets\C2.1 TRUCK ROUTING EXHIBIT.dwg
 This document, together with the concepts and designs presented herein, is intended only for the specific purpose and client for which it was prepared. Reuse of and improper reliance on this document without written authorization and adaptation by Kimley-Horn and Associates, Inc. shall be without liability to Kimley-Horn and Associates, Inc.



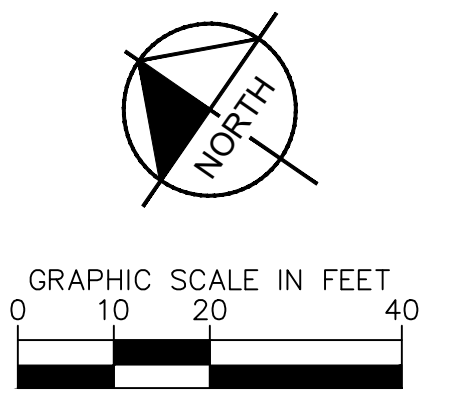
Aerial Fire Truck
 Overall Length 39.000ft
 Overall Width 8.167ft
 Overall Body Height 7.500ft
 Min Body Ground Clearance 0.750ft
 Track Width 8.167ft
 Lock-to-lock time 5.00s
 Max Wheel Angle 45.00°

#6 Appears that several items have shifted in this sheet. Locations of items as well as labels/leaders do not match other sheets provided in the plan set. Adjust as required.

PROPOSED BUILDING
 10,000 S.F.
 1-STORY, 22' HIGH

N/F
 ANDELIA P. WATKINS
 D.B. 5265, PG. 843
 B.M. 1979, PG. 178
 PIN #1759.20-80-4047
 USE: SINGLE FAMILY
 ZONED: RL

N/F
 SPIRIT MASTER FUNDING VII, LLC
 D.B. 15550, PG. 841
 B.M. 2007, PG. 143
 PIN #1759.20-80-7165
 USE: DRIVE-IN
 ZONED: GC



SITE LEGEND	
	PROPERTY LINE
	EASEMENT LINE
	6' WHITE VINYL FENCE
	4' WHITE PVC FENCE
	4' CHAIN LINK FENCE
	STANDARD CURB AND GUTTER
	PARKING SPACE COUNT
	SIGN (SEE PLAN)
	LIGHT POLE
	WHEEL STOP
	ACCESSIBLE PARKING MARKING (V INDICATES VAN ACCESSIBLE)
	DIRECTIONAL PAVEMENT ARROWS
	ACCESSIBLE RAMP
	ACCESSIBLE ROUTE
	LIGHT DUTY ASPHALT
	HEAVY DUTY ASPHALT
	STANDARD DUTY CONCRETE
	HEAVY DUTY CONCRETE
	DECORATIVE PAVERS
	PARKING:
	MIN. REQUIRED: (2.5 SPACES/1,000 SF) X 10,000 SF = 25 SPACES
	MAX. ALLOWED: (5 SPACES/1,000 SF) X 10,000 SF = 50 SPACES
	ACCESSIBLE PARKING:
	PROVIDED: 33 SPACES REQUIRED: 7 SPACES
	BICYCLE PARKING:
	MIN. REQUIRED: (1 SPACE/5,000 SF) X 10,000 SF = 2 SPACES
	PROVIDED: 2 SPACES

#7 Table overlapping legend, revise

SURVEY NOTE:
 EXISTING TOPOGRAPHICAL INFORMATION IS BASED ON A TOPOGRAPHIC SURVEY OBTAINED ON 02/23/2023 BY CMP PROFESSIONAL LAND SURVEYORS, 333 S. WHITE STREET, WAKE FOREST, NC, 27888. PHONE: (919) 556-3148. CONTRACTOR SHALL BE RESPONSIBLE FOR VERIFYING ALL EXISTING INFORMATION, DEPICTED OR NOT, PRIOR TO CONSTRUCTION AND REPORT POTENTIAL CONFLICTS TO OWNER AND ENGINEER.



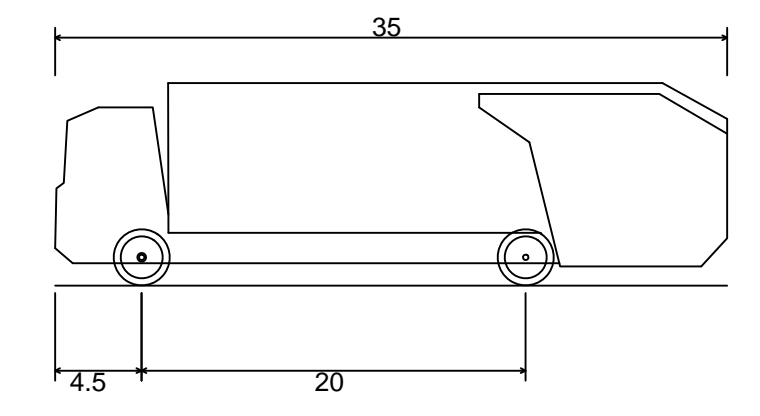
SDP-23-07

<p>© 2023 KIMLEY-HORN AND ASSOCIATES, INC. #F-0102 WWW.KIMLEY-HORN.COM PHONE: 919-677-2000 FAX: 919-677-2050 421 FAYETTEVILLE STREET, SUITE 800, RALEIGH, NC 27601</p>		TOWN COMMENTS	JAA	03/01/2024	JAA
		TOWN COMMENTS	JAA	01/02/2024	JAA
RHA PROJECT: 016485000 DATE: 10/31/2023 SCALE: AS SHOWN DESIGNED BY: JAA DRAWN BY: JAA CHECKED BY: COB		SHEET NUMBER C2.1		REVISIONS No. DATE BY	
THE LEARNING CENTER ROLESVILLE PREPARED FOR ROLESVILLE, LLC. TOWN OF ROLESVILLE NORTH CAROLINA		TRUCK ROUTING EXHIBIT			

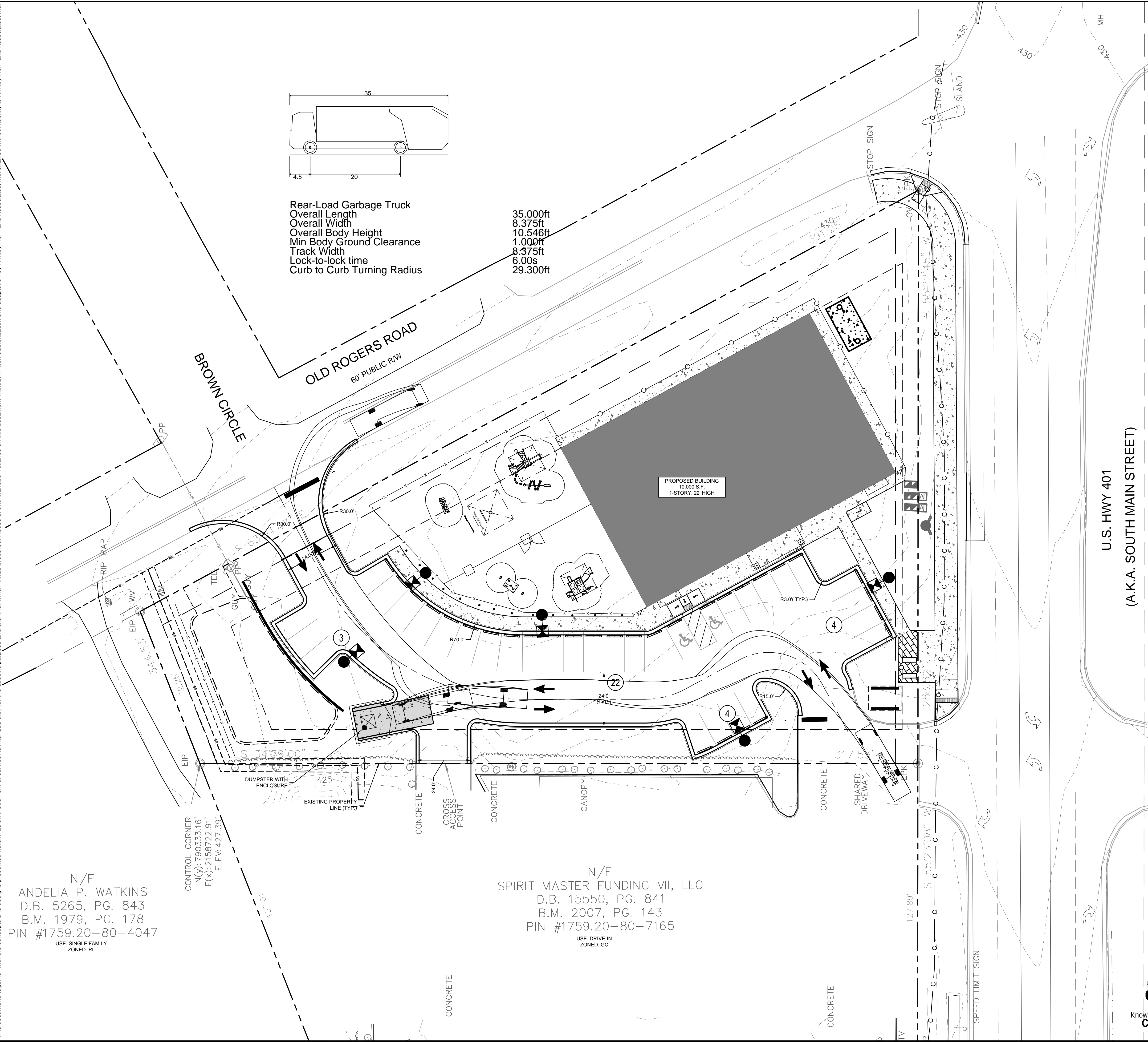
Plotted By: Alexander, Jamal Sheet Set: THE LEARNING CENTER ROLESVILLE Layout: C2.2 TRUCK ROUTING EXHIBIT March 01, 2024 05:58:56pm K:\REAL_LDEV\013031004_Rolesville_Leaning_Center\F10_CAD Files\PlanSheets\C2.1 TRUCK ROUTING EXHIBIT.dwg
 This document, together with the concepts and designs presented herein, is an instrument of service, as intended only for the specific purpose and client for which it was prepared. Reuse of and improper reliance on this document without written authorization and adaptation by Kimley-Horn and Associates, Inc. shall be without liability to Kimley-Horn and Associates, Inc.

N/F
 ANDELIA P. WATKINS
 D.B. 5265, PG. 843
 B.M. 1979, PG. 178
 PIN #1759.20-80-4047
 USE: SINGLE FAMILY
 ZONED: RL

N/F
 SPIRIT MASTER FUNDING VII, LLC
 D.B. 15550, PG. 841
 B.M. 2007, PG. 143
 PIN #1759.20-80-7165
 USE: DRIVE-IN
 ZONED: GC



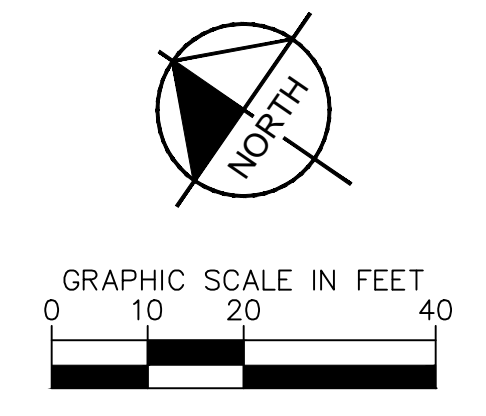
Rear-Load Garbage Truck
 Overall Length 35.000ft
 Overall Width 8.375ft
 Overall Body Height 10.546ft
 Min Body Ground Clearance 1.000ft
 Track Width 8.375ft
 Lock-to-lock time 6.00s
 Curb to Curb Turning Radius 29.300ft



SITE LEGEND	
	PROPERTY LINE
	EASEMENT LINE
	6' WHITE VINYL FENCE
	4' WHITE PVC FENCE
	4' CHAIN LINK FENCE
	STANDARD CURB AND GUTTER
	PARKING SPACE COUNT
	SIGN (SEE PLAN)
	LIGHT POLE
	WHEEL STOP
	ACCESSIBLE PARKING MARKING (V INDICATES VAN ACCESSIBLE)
	DIRECTIONAL PAVEMENT ARROWS
	ACCESSIBLE RAMP
	ACCESSIBLE ROUTE
	LIGHT DUTY ASPHALT
	HEAVY DUTY ASPHALT
	STANDARD DUTY CONCRETE
	HEAVY DUTY CONCRETE
	DECORATIVE PAVERS
	PARKING:
	MIN. REQUIRED: (2.5 SPACES/1,000 SF) X 10,000 SF = 25 SPACES
	MAX. ALLOWED: (5 SPACES/1,000 SF) X 10,000 SF = 50 SPACES
	ACCESSIBLE PARKING: PROVIDED: 33 SPACES REQUIRED: 2 SPACES
	BICYCLE PARKING: MIN. REQUIRED: (1 SPACE/5,000 SF) X 10,000 SF = 2 SPACES PROVIDED: 2 SPACES

#7 Table overlapping legend, revise

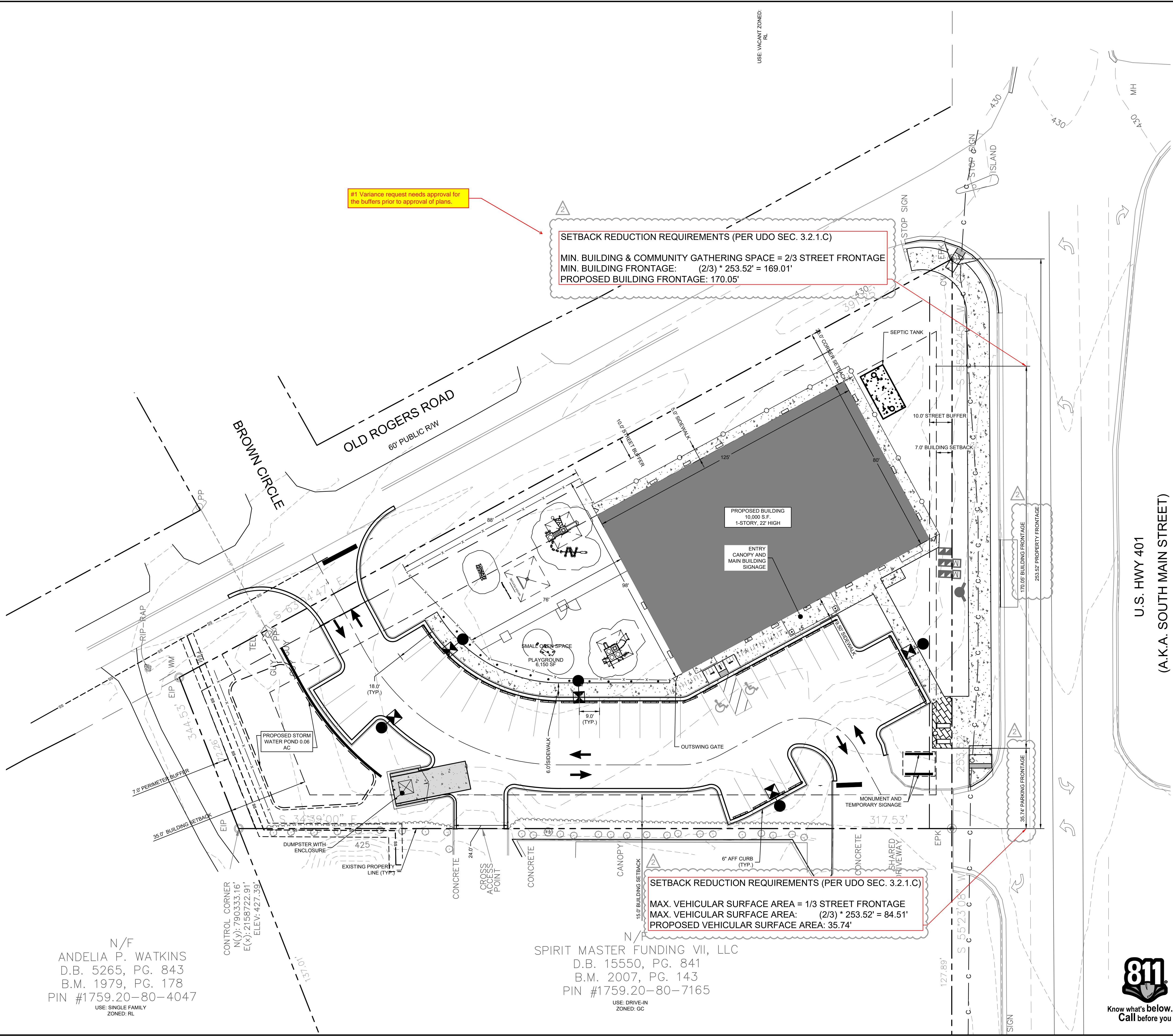
SURVEY NOTE:
 EXISTING TOPOGRAPHICAL INFORMATION IS BASED ON A TOPOGRAPHIC SURVEY OBTAINED ON 02/23/2023 BY CMP PROFESSIONAL LAND SURVEYORS, 333 S. WHITE STREET, WAKE FOREST, NC, 27588. PHONE: (919) 556-3148. CONTRACTOR SHALL BE RESPONSIBLE FOR VERIFYING ALL EXISTING INFORMATION, DEPICTED OR NOT, PRIOR TO CONSTRUCTION AND REPORT POTENTIAL CONFLICTS TO OWNER AND ENGINEER.



 © 2023 KIMLEY-HORN AND ASSOCIATES, INC. #F-0102 WWW.KIMLEY-HORN.COM PHONE: 919-677-2000 FAX: 919-677-2050 421 FAYETTEVILLE STREET, SUITE 600, RALEIGH, NC 27601		TOWN COMMENTS	JAA	03/01/2024	JAA
		REVISIONS	JAA	01/02/2024	JAA
THE LEARNING CENTER ROLESVILLE PREPARED FOR ROLESVILLE, LLC. TOWN OF ROLESVILLE NORTH CAROLINA		TRUCK ROUTING EXHIBIT		SHEET NUMBER C2.2	
KHA PROJECT 016485000 DATE 10/31/2023 SCALE AS SHOWN DESIGNED BY JAA DRAWN BY JAA CHECKED BY COB		NORTH CAROLINA PRELIMINARY NOT FOR CONSTRUCTION		DATE BY	

SDP-23-07

Plotted By: Alexander, Jamal Sheet Set: THE LEARNING CENTER ROLESVILLE, Layout: C2.3 BUILD-TO EXHIBIT, March 01, 2024, 08:20:35pm. K:\RAL_L\DEV\13031004_Rolesville_Learning_Center\10_CAD Files\PlanSheets\C2.3 BUILD-TO EXHIBIT.dwg. This document, together with the concepts and designs presented herein, is intended only for the specific purpose and client for which it was prepared. Reuse of and improper reliance on this document without written authorization and adaptation by Kimley-Horn and Associates, Inc. shall be without liability to Kimley-Horn and Associates, Inc.

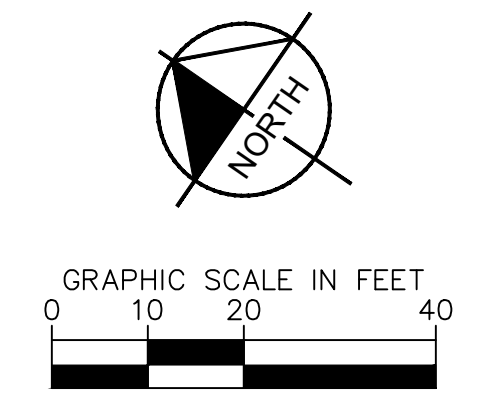


N/F
 ANDELIA P. WATKINS
 D.B. 5265, PG. 843
 B.M. 1979, PG. 178
 PIN #1759.20-80-4047
 USE: SINGLE FAMILY
 ZONED: RL

SPIRIT MASTER FUNDING VII, LLC
 D.B. 15550, PG. 841
 B.M. 2007, PG. 143
 PIN #1759.20-80-7165
 USE: DRIVE-IN
 ZONED: GC



SITE LEGEND	
	PROPERTY LINE
	EASEMENT LINE
	6' WHITE VINYL FENCE
	4' WHITE PVC FENCE
	4' CHAIN LINK FENCE
	STANDARD CURB AND GUTTER
	PARKING SPACE COUNT
	SIGN (SEE PLAN)
	LIGHT POLE
	WHEEL STOP
	ACCESSIBLE PARKING MARKING (V INDICATES VAN ACCESSIBLE)
	DIRECTIONAL PAVEMENT ARROWS
	ACCESSIBLE RAMP
	ACCESSIBLE ROUTE
	LIGHT DUTY ASPHALT
	HEAVY DUTY ASPHALT
	STANDARD DUTY CONCRETE
	HEAVY DUTY CONCRETE
	PROPOSED DRIVEWAY



Kimley»Horn
 © 2023 KIMLEY-HORN AND ASSOCIATES, INC.
 #F-0102 WWW.KIMLEY-HORN.COM PHONE: 919.677.2000 FAX: 919.677.2050
 421 FAYETTEVILLE STREET, SUITE 800, RALEIGH, NC 27601

DATE: 03/01/2024
 TOWN COMMENTS: JAA
 REVISIONS: JAA

NOT FOR CONSTRUCTION

KHA PROJECT	016485000
DATE	10/31/2023
SCALE	AS SHOWN
DESIGNED BY	JAA
DRAWN BY	JAA
CHECKED BY	COB

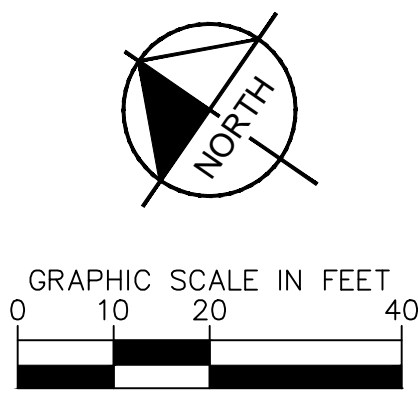
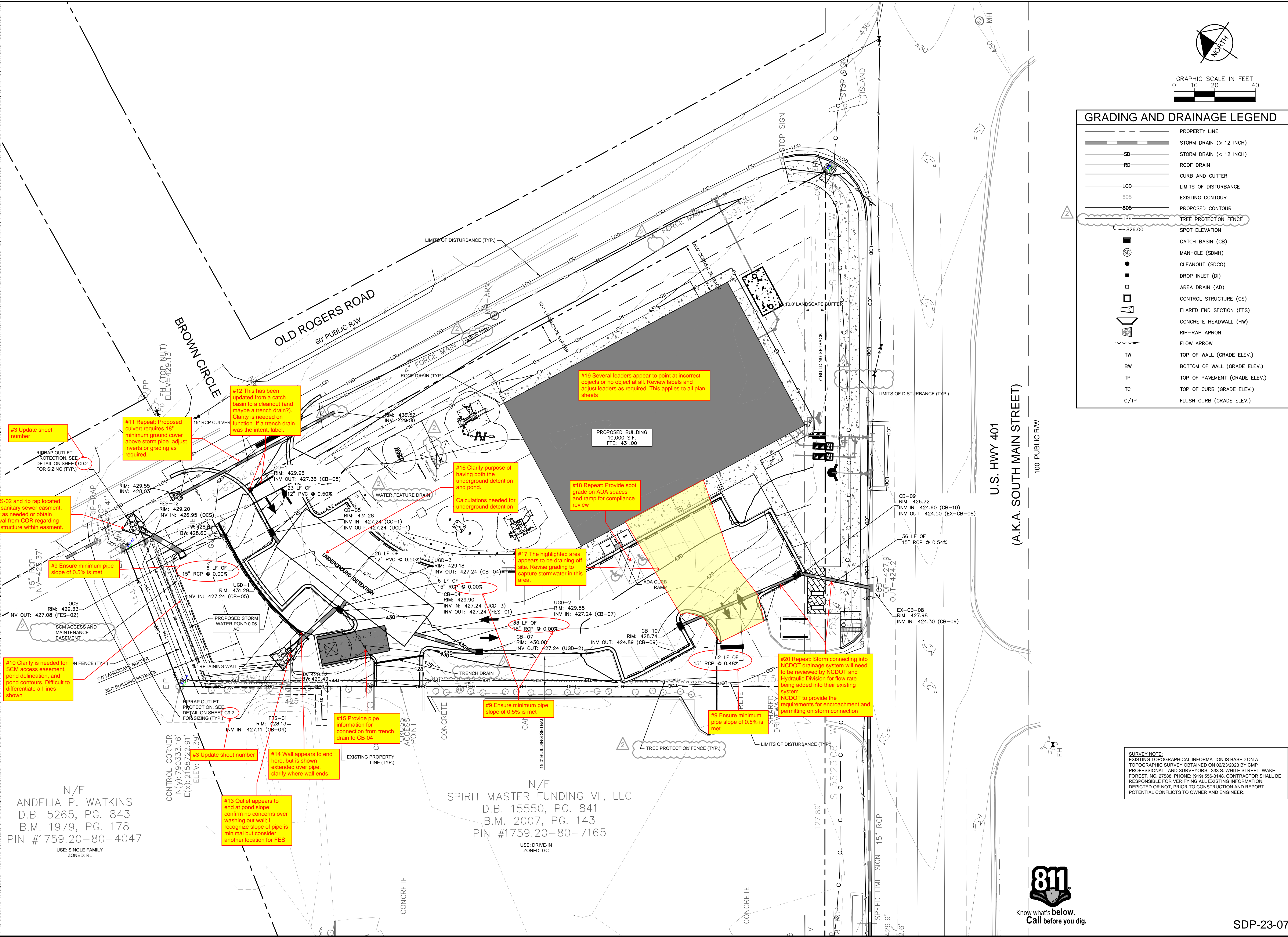
THE LEARNING CENTER ROLESVILLE
PREPARED FOR ROLESVILLE, LLC.
TOWN OF ROLESVILLE NORTH CAROLINA

BUILD-TO EXHIBIT

SHEET NUMBER
C2.3

SDP-23-07

Plotted By: Barnes, Michael. Sheet Set: THE LEARNING CENTER ROLESVILLE. Layout: C3.0 GRADING PLAN. March 01, 2024. 08:00:12m. K:\RAL_LDEV01\3031004_Rolesville...
 This document, together with the concepts and designs presented herein, is an instrument of service, and is intended only for the specific purpose and client for which it is prepared. It shall be without liability to Kimley-Horn and Associates, Inc.



GRADING AND DRAINAGE LEGEND	
	PROPERTY LINE
	STORM DRAIN (≥ 12 INCH)
	STORM DRAIN (< 12 INCH)
	ROOF DRAIN
	CURB AND GUTTER
	LIMITS OF DISTURBANCE
	EXISTING CONTOUR
	PROPOSED CONTOUR
	TREE PROTECTION FENCE
	SPOT ELEVATION
	CATCH BASIN (CB)
	MANHOLE (SDMH)
	CLEANOUT (SDCO)
	DROP INLET (DI)
	AREA DRAIN (AD)
	CONTROL STRUCTURE (CS)
	FLARED END SECTION (FES)
	CONCRETE HEADWALL (HW)
	RIP-RAP APRON
	FLOW ARROW
	TOP OF WALL (GRADE ELEV.)
	BOTTOM OF WALL (GRADE ELEV.)
	TOP OF PAVEMENT (GRADE ELEV.)
	TOP OF CURB (GRADE ELEV.)
	FLUSH CURB (GRADE ELEV.)

Kimley»Horn

© 2023 KIMLEY-HORN AND ASSOCIATES, INC.
 #F-0102 WWW.KIMLEY-HORN.COM PHONE: 919-677-2000 FAX: 919-677-2050
 421 FAYETTEVILLE STREET, SUITE 600, RALEIGH, NC 27601

No.	REVISIONS	DATE	BY
1		03/01/2024	JAA
2		01/02/2024	JAA

NOT FOR CONSTRUCTION

KHA PROJECT: 016485000
 DATE: 10/31/2023
 SCALE: AS SHOWN
 DESIGNED BY: JAA
 DRAWN BY: JAA
 CHECKED BY: COB

GRADING PLAN

THE LEARNING CENTER ROLESVILLE
 PREPARED FOR
ROLESVILLE, LLC.
 TOWN OF ROLESVILLE, NORTH CAROLINA

SHEET NUMBER: **C3.0**

SURVEY NOTE:
 EXISTING TOPOGRAPHICAL INFORMATION IS BASED ON A TOPOGRAPHIC SURVEY OBTAINED ON 02/23/2023 BY CMP PROFESSIONAL LAND SURVEYORS, 333 S. WHITE STREET, WAKE FOREST, NC, 27588. PHONE: (919) 556-3148. CONTRACTOR SHALL BE RESPONSIBLE FOR VERIFYING ALL EXISTING INFORMATION, DEPICTED OR NOT, PRIOR TO CONSTRUCTION AND REPORT POTENTIAL CONFLICTS TO OWNER AND ENGINEER.



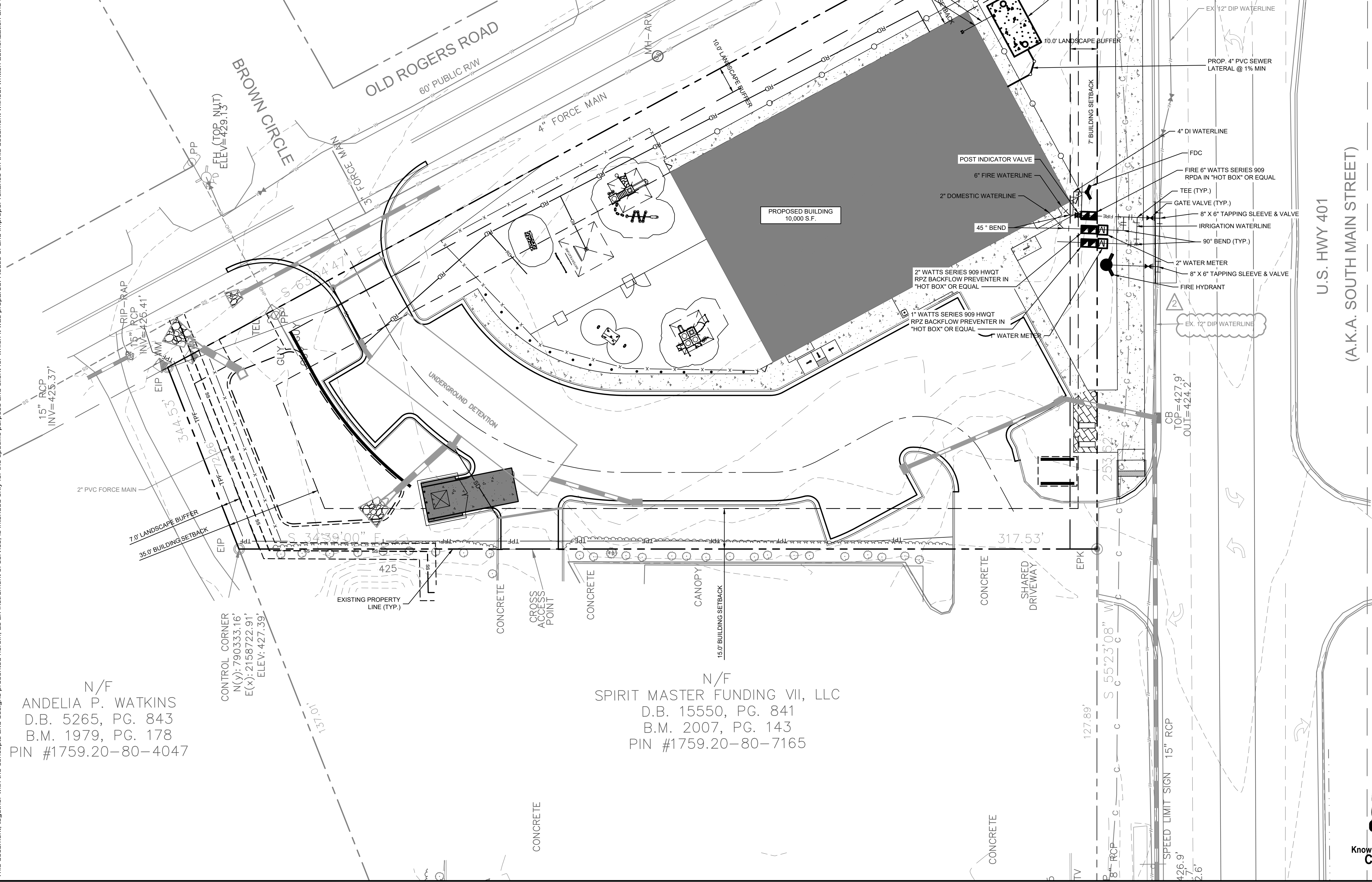
SDP-23-07

Plotted By: Alexander, Jamal Sheet Set: THE LEARNING CENTER ROLESVILLE, Layout: C4.0 UTILITY PLAN, March 01, 2024, 05:21:12pm, K:\REAL_LDEV\013031004_Rolesville_Layout\013031004_CAD Files\Sheets\C4.0 UTILITY PLAN.dwg
 This document, together with the concepts and designs presented herein, is intended only for the specific purpose and client for which it was prepared. Reuse of and improper reliance on this document without written authorization and adaptation by Kimley-Horn and Associates, Inc. shall be without liability to Kimley-Horn and Associates, Inc.

STANDARD UTILITY NOTES

- ALL MATERIALS AND CONSTRUCTION METHODS SHALL BE IN ACCORDANCE WITH CITY OF RALEIGH DESIGN STANDARDS & SPECIFICATIONS
- UTILITY SEPARATION REQUIREMENTS:
 - A DISTANCE OF 10' SHALL BE MAINTAINED BETWEEN SANITARY SEWER & ANY PRIVATE OR PUBLIC WATER SUPPLY SOURCE SUCH AS AN IMPOUNDED RESERVOIR USED AS A SOURCE OF DRINKING WATER. IF ADEQUATE LATERAL SEPARATION CANNOT BE ACHIEVED, FERROUS SANITARY SEWER PIPE SHALL BE SPECIFIED & INSTALLED TO WATERLINE SPECIFICATIONS. HOWEVER, THE MINIMUM SEPARATION SHALL NOT BE LESS THAN 25' FROM A PRIVATE WELL OR 50' FROM A PUBLIC WELL.
 - WHEN INSTALLING WATER &/OR SEWER MAINS, THE HORIZONTAL SEPARATION BETWEEN UTILITIES SHALL BE 10'. IF THIS SEPARATION CANNOT BE MAINTAINED DUE TO EXISTING CONDITIONS, THE VARIATION ALLOWED IS THE WATER MAIN IN A SEPARATE TRENCH WITH THE ELEVATION OF THE WATER MAIN AT LEAST 18" ABOVE THE TOP OF THE SEWER & MUST BE APPROVED BY THE PUBLIC UTILITIES DIRECTOR. ALL DISTANCES ARE MEASURED FROM OUTSIDE DIAMETER TO OUTSIDE DIAMETER.
 - WHERE IT IS IMPOSSIBLE TO OBTAIN PROPER SEPARATION, OR ANYTIME A SANITARY SEWER PASSES OVER A WATER MAIN, DIP MATERIALS OR STEEL ENCASUREMENT EXTENDED 10' ON EACH SIDE OF CROSSING MUST BE SPECIFIED & INSTALLED TO WATERLINE SPECIFICATIONS.
 - 5.0' MINIMUM HORIZONTAL SEPARATION IS REQUIRED BETWEEN ALL SANITARY SEWER & STORM SEWER FACILITIES, UNLESS DIP MATERIAL IS SPECIFIED FOR SANITARY SEWER.
 - MAINTAIN 18" MIN. VERTICAL SEPARATION AT ALL WATER MAIN & RCP STORM DRAIN CROSSINGS; MAINTAIN 24" MIN. VERTICAL SEPARATION AT ALL SANITARY SEWER & RCP STORM DRAIN CROSSINGS. WHERE ADEQUATE SEPARATIONS CANNOT BE ACHIEVED, SPECIFY DIP MATERIALS & A CONCRETE CRADLE HAVING 6" MIN. CLEARANCE.
 - ALL OTHER UNDERGROUND UTILITIES SHALL CROSS WATER & SEWER FACILITIES WITH 18" MIN. VERTICAL SEPARATION REQUIRED.
- ANY NECESSARY FIELD REVISIONS ARE SUBJECT TO REVIEW & APPROVAL OF AN AMENDED PLAN &/OR PROFILE BY THE CITY OF RALEIGH PUBLIC UTILITIES DEPARTMENT PRIOR TO CONSTRUCTION.
- CONTRACTOR SHALL MAINTAIN CONTINUOUS WATER & SEWER SERVICE TO EXISTING RESIDENCES & BUSINESSES THROUGHOUT CONSTRUCTION OF PROJECT. ANY NECESSARY SERVICE INTERRUPTIONS SHALL BE PRECEDED BY A 24 HOUR ADVANCE NOTICE TO THE CITY OF RALEIGH PUBLIC UTILITIES DEPARTMENT.
- 3.0' MINIMUM COVER IS REQUIRED ON ALL WATER MAINS & SEWER FORCE

- 4.0' MINIMUM COVER IS REQUIRED ON ALL REUSE MAINS.
- IT IS THE DEVELOPER'S RESPONSIBILITY TO ABANDON OR REMOVE EXISTING WATER & SEWER SERVICES NOT BEING USED IN REDEVELOPMENT OF A SITE UNLESS OTHERWISE DIRECTED BY THE CITY OF RALEIGH PUBLIC UTILITIES DEPARTMENT. THIS INCLUDES ABANDONING TAP AT MAIN & REMOVAL OF SERVICE FROM ROW OR EASEMENT.
- INSTALL 2" WATER SERVICES WITH METERS LOCATED AT ROW OR WITHIN A 2'x2' WATERLINE EASEMENT IMMEDIATELY ADJACENT. NOTE: IT IS THE APPLICANT'S RESPONSIBILITY TO PROPERLY SIZE THE WATER SERVICE FOR EACH CONNECTION TO PROVIDE ADEQUATE FLOW & PRESSURE.
- INSTALL 4" PVC SEWER SERVICES @ 2.0% MINIMUM GRADE WITH CLEANOUTS LOCATED AT ROW OR EASEMENT LINE & SPACED EVERY 75 LINEAR FEET MAXIMUM.
- PRESSURE REDUCING VALVES ARE REQUIRED ON ALL WATER SERVICES EXCEEDING 80 PSI; BACKWATER VALVES ARE REQUIRED ON ALL SANITARY SEWER SERVICES HAVING BUILDING DRAINS LOWER THAN 1.0' ABOVE THE NEXT UPSTREAM MANHOLE
- ALL ENVIRONMENTAL PERMITS APPLICABLE TO THE PROJECT MUST BE OBTAINED FROM NCDWQ, USACE &/OR FEMA FOR ANY RIPARIAN BUFFER, WETLAND &/OR FLOODPLAIN IMPACTS (RESPECTIVELY) PRIOR TO CONSTRUCTION.
- NCDOT ENCROACHMENT AGREEMENTS ARE REQUIRED FOR ANY UTILITY WORK (INCLUDING MAIN EXTENSIONS & SERVICE TAPS) WITHIN STATE ROW PRIOR TO CONSTRUCTION.
- CROSS-CONNECTION CONTROL PROTECTION DEVICES ARE REQUIRED BASED ON DEGREE OF HEALTH HAZARD INVOLVED AS LISTED IN APPENDIX-B OF THE RULES GOVERNING PUBLIC WATER SYSTEMS IN NORTH CAROLINA. THESE GUIDELINES ARE THE MINIMUM REQUIREMENTS. THE DEVICES SHALL MEET AMERICAN SOCIETY OF SANITARY ENGINEERING (ASSE) STANDARDS OR BE ON THE UNIVERSITY OF SOUTHERN CALIFORNIA APPROVAL LIST. THE DEVICES SHALL BE INSTALLED AND TESTED (BOTH INITIAL AND PERIODIC TESTING THEREAFTER) IN ACCORDANCE WITH THE MANUFACTURER'S RECOMMENDATIONS OR THE LOCAL CROSS-CONNECTION CONTROL PROGRAM, WHICHEVER IS MORE STRINGENT.
- THE STATE OF NORTH CAROLINA AND C.O.R. PUBLIC WORKS DEPT. SHALL BE NOTIFIED IN WRITING PRIOR TO UTILITY INSTALLATION AND FOR SCHEDULING INSPECTIONS.



UTILITY LEGEND	
---	PROPERTY LINE
W	WATER LINE
FW	FIRE LINE
SS	SANITARY SEWER LINE
E	ELECTRIC
FO	FIBER OPTIC
G	GAS
P	POWER
T	TELECOMMUNICATION
C	CABLE
LP	LIGHT POLE
WM	WATER METER
GV	GATE VALVE
PC	POINT OF CONNECTION
BVP	BACKFLOW PREVENTOR
PB	PIPE TEE/BENDS
R	REDUCER
FH	FIRE HYDRANT (FH)
FDC	FIRE DEPARTMENT CONNECTION (FDC)
SSCO	SANITARY SEWER CLEANOUT (SSCO)
SSMH	SANITARY SEWER MANHOLE (SSMH)
SSGT	SANITARY SEWER GREASE TRAP

STANDARD UTILITY NOTES (CONT.)

- TRAFFIC CONTROLS FOR ANY UTILITY WORK WITHIN THE PUBLIC RIGHT-OF-WAY SHALL BE IN COMPLIANCE WITH STANDARDS OF THE NORTH CAROLINA MANUAL ON UNIFORM TRAFFIC CONTROL DEVICES.
- IN THE EVENT AN ITEM IS NOT COVERED BY THESE PLANS, THEN THE STANDARDS AND SPECIFICATIONS CONTAINED IN THE CITY OF RALEIGH PUBLIC UTILITIES DEPARTMENT HANDBOOK COVERING SUCH ITEMS SHALL APPLY.
- IF CITY OF RALEIGH WATER AND SANITARY SEWER PERMITS ARE REQUIRED, CONTRACTOR IS RESPONSIBLE FOR ALL PERMIT FEES.
- LOCATIONS AND SIZES OF EXISTING WATER AND SEWER LINES SHOWN ON THESE PLANS WITHIN THE PROPERTY LIMITS OF THE SITE ARE ASSUMED BASED ON SURVEY OF SURFACE FEATURES (MANHOLES, VALVES, VAULTS, METERS, ETC.) PREPARED BY GSC SURVEYING, INC., 4072 BARRETT DRIVE, RALEIGH, N.C. 27609. IT IS SOLELY THE RESPONSIBILITY OF THE CONTRACTOR TO FIELD VERIFY THE HORIZONTAL AND VERTICAL LOCATION OF THE EXISTING UTILITIES PRIOR TO COMMENCING WORK. ANY DEVIATIONS FROM WHAT IS INDICATED ON THESE PLANS SHALL BE REPORTED TO THE DEVELOPER AND ENGINEER, IN WRITING, IMMEDIATELY.
- CONTRACTOR SHALL PROVIDE A MEANS TO KEEP ALL NEW PIPING ISOLATED FROM EXISTING PIPING UNTIL ALL NEW PIPING HAS BEEN TESTED, AND ACCEPTED FOR SERVICE.
- EXISTING UTILITIES SHALL BE PROTECTED DURING ALL CONSTRUCTION.
- THE SITE UTILITY CONTRACTOR SHALL PROVIDE ALL MATERIALS AND APPURTENANCES NECESSARY FOR COMPLETE INSTALLATION OF THE UTILITIES. ALL PUBLIC PIPE, STRUCTURES, AND FITTINGS SHALL BE INSPECTED BY THE CITY INSPECTOR PRIOR TO BEING COVERED. THE INSPECTOR MUST ALSO BE PRESENT DURING DISINFECTION AND PRESSURE TESTING OF ALL MAINS. THE CONTRACTOR'S BID PRICE SHALL INCLUDE ALL INSPECTION FEES.
- UTILITY WORK SHALL BE INSPECTED AND ACCEPTED BY CITY OF RALEIGH PRIOR TO PLACING INTO SERVICE.
- THERE SHALL BE A MINIMUM 3' CLEAR DISTANCE AROUND ALL FIRE HYDRANTS.
- THE CONTRACTOR SHALL BE RESPONSIBLE FOR PROVIDING "AS-BUILT" PLANS, PER CITY OF RALEIGH REQUIREMENTS, TO THE ENGINEER SHOWING THE LOCATION OF WATER AND SEWER SERVICES AND ANY DEVIATIONS FROM PLANS MADE DURING CONSTRUCTION. THE ENGINEER WILL PROVIDE THESE RECORD PLANS TO THE CITY OF RALEIGH.

SURVEY NOTE:
 EXISTING TOPOGRAPHICAL INFORMATION IS BASED ON A TOPOGRAPHIC SURVEY OBTAINED ON 02/23/2023 BY CMP PROFESSIONAL LAND SURVEYORS, 333 S. WHITE STREET, WAKE FOREST, NC 27588. PHONE: (919) 556-3148. CONTRACTOR SHALL BE RESPONSIBLE FOR VERIFYING ALL EXISTING INFORMATION, DEPICTED OR NOT, PRIOR TO CONSTRUCTION AND REPORT POTENTIAL CONFLICTS TO OWNER AND ENGINEER.

N/F
 ANDELIA P. WATKINS
 D.B. 5265, PG. 843
 B.M. 1979, PG. 178
 PIN #1759.20-80-4047

N/F
 SPIRIT MASTER FUNDING VII, LLC
 D.B. 15550, PG. 841
 B.M. 2007, PG. 143
 PIN #1759.20-80-7165



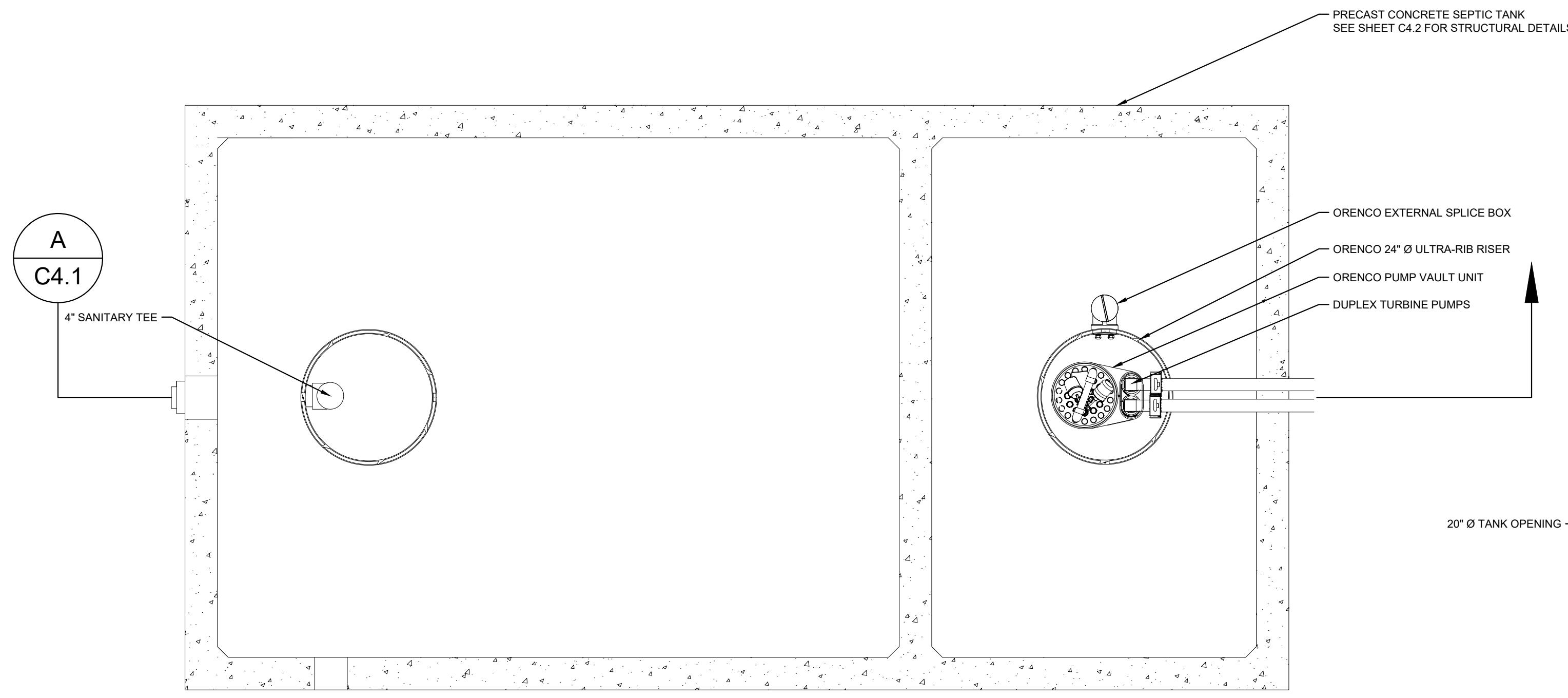
SDP-23-07

		TOWN COMMENTS 03/01/2024 JAA		DATE		
		TOWN COMMENTS 01/02/2024 JAA		DATE		
KHA PROJECT 016485000		DATE 10/31/2023	SCALE AS SHOWN	DESIGNED BY JAA	DRAWN BY JAA	CHECKED BY COB
THE LEARNING CENTER ROLESVILLE PREPARED FOR ROLESVILLE, LLC. TOWN OF ROLESVILLE NORTH CAROLINA		UTILITY PLAN		SHEET NUMBER C4.0		

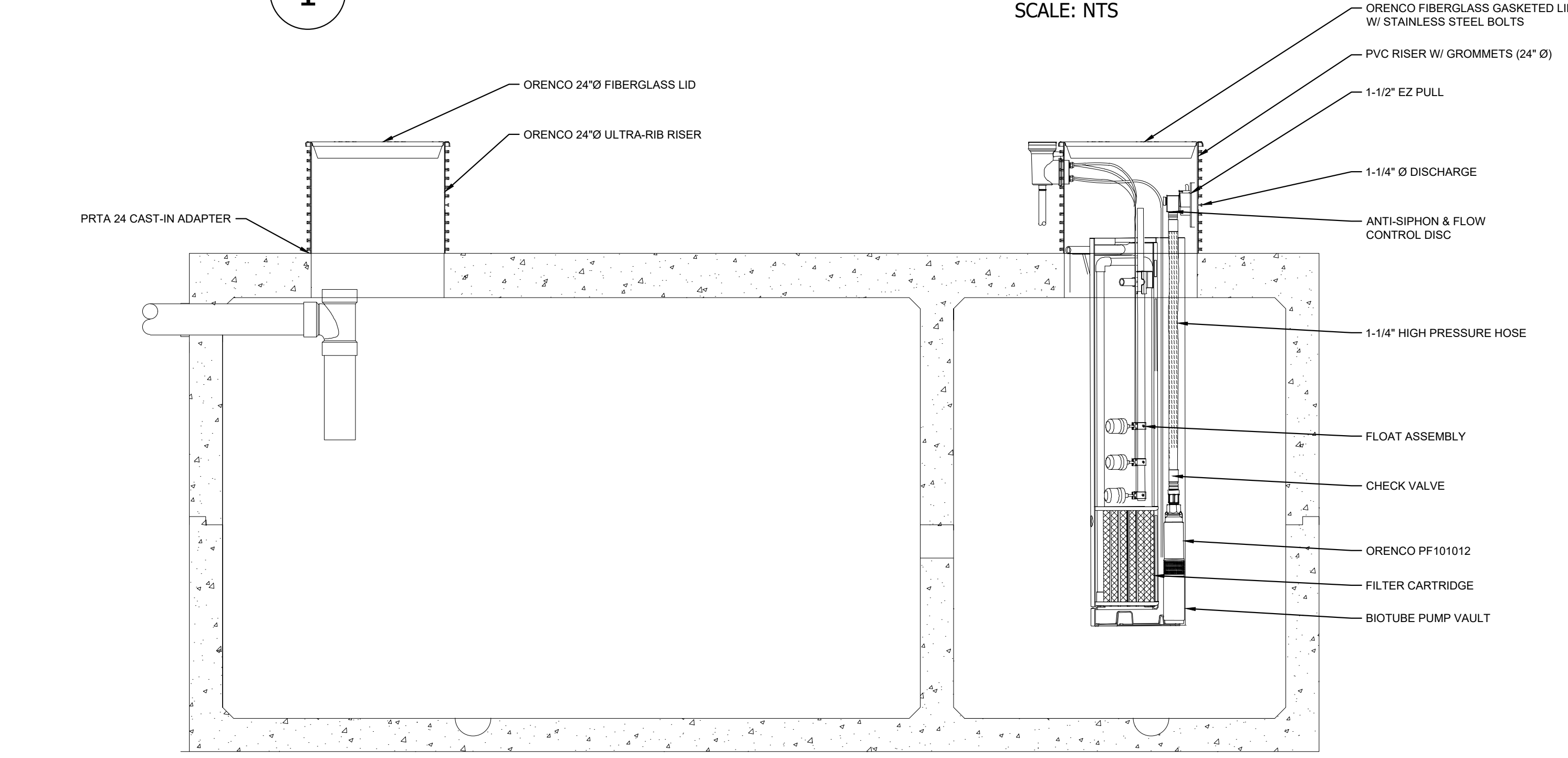
Plotted By: Alexander, Jamal Sheet Set: THE LEARNING CENTER ROLESVILLE, Layout: C4.1 MECHANICAL PLAN, March 01, 2024, 05:21:24pm K:\REAL_LDEV\013031004_Rolesville_Leaning_Center\PTD_CAD Files\Plan Sheets\C4.1 MECHANICAL PLAN.dwg
 This document, together with the concepts and designs presented herein, is an instrument of service, is intended only for the specific purpose and client for which it was prepared. Reuse of and improper reliance on this document without written authorization and adaptation by Kimley-Horn and Associates, Inc. shall be without liability to Kimley-Horn and Associates, Inc.

NOTES:
 1) PROPOSED STEP SYSTEM SHALL BE EQUIPPED WITH A "VERICOMM DAX RO" CONTROL PANEL OR APPROVED EQUAL. CONTACT MICHAEL CLAYTON (MCLAYTON@AQWA.NET, 252-292-1667) FOR STEP SYSTEM SPECIFICATIONS.

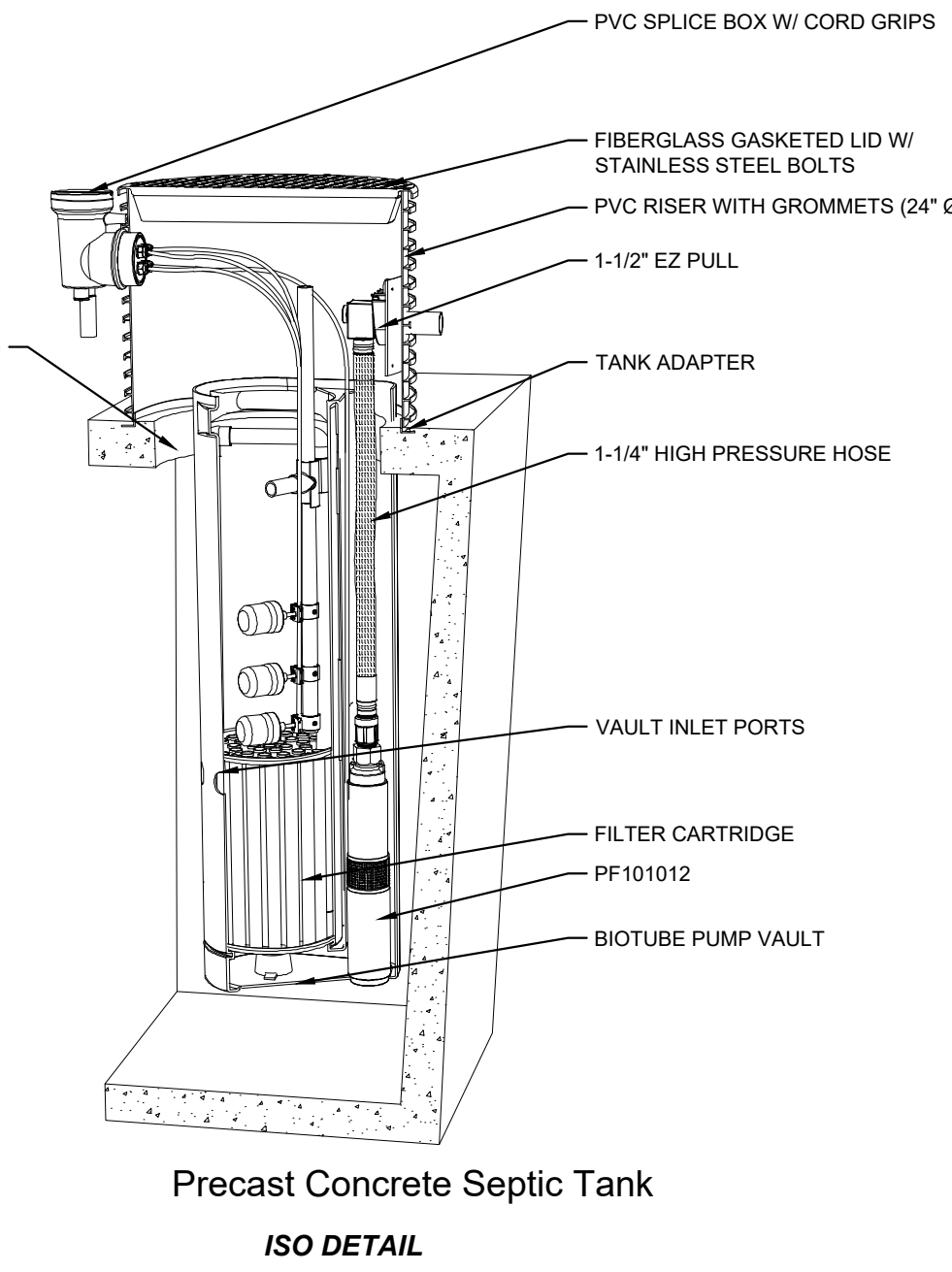
PUMP STATION GENERAL INFORMATION	
AVERAGE DAILY FLOW	4,400 GPD
TANK DIMENSIONS	20'x10'x7'-9" (INSIDE DIMENSIONS), 10,000 GAL MIN.
DISCHARGE PIPING	1.25" Ø SCH 80 PVC
HORSEPOWER	1 HP (NON-OVERLOADING OVER ENTIRE PUMP CURVE)
VOLTAGE/PHASE/CYCLES	240 V / 1 PHASE / 60 HZ
PUMP	ORENCO PF101012
PRIMARY LEVEL SENSING METHOD	FLOATS (3)



1 MECHANICAL PLAN VIEW SCALE: NTS

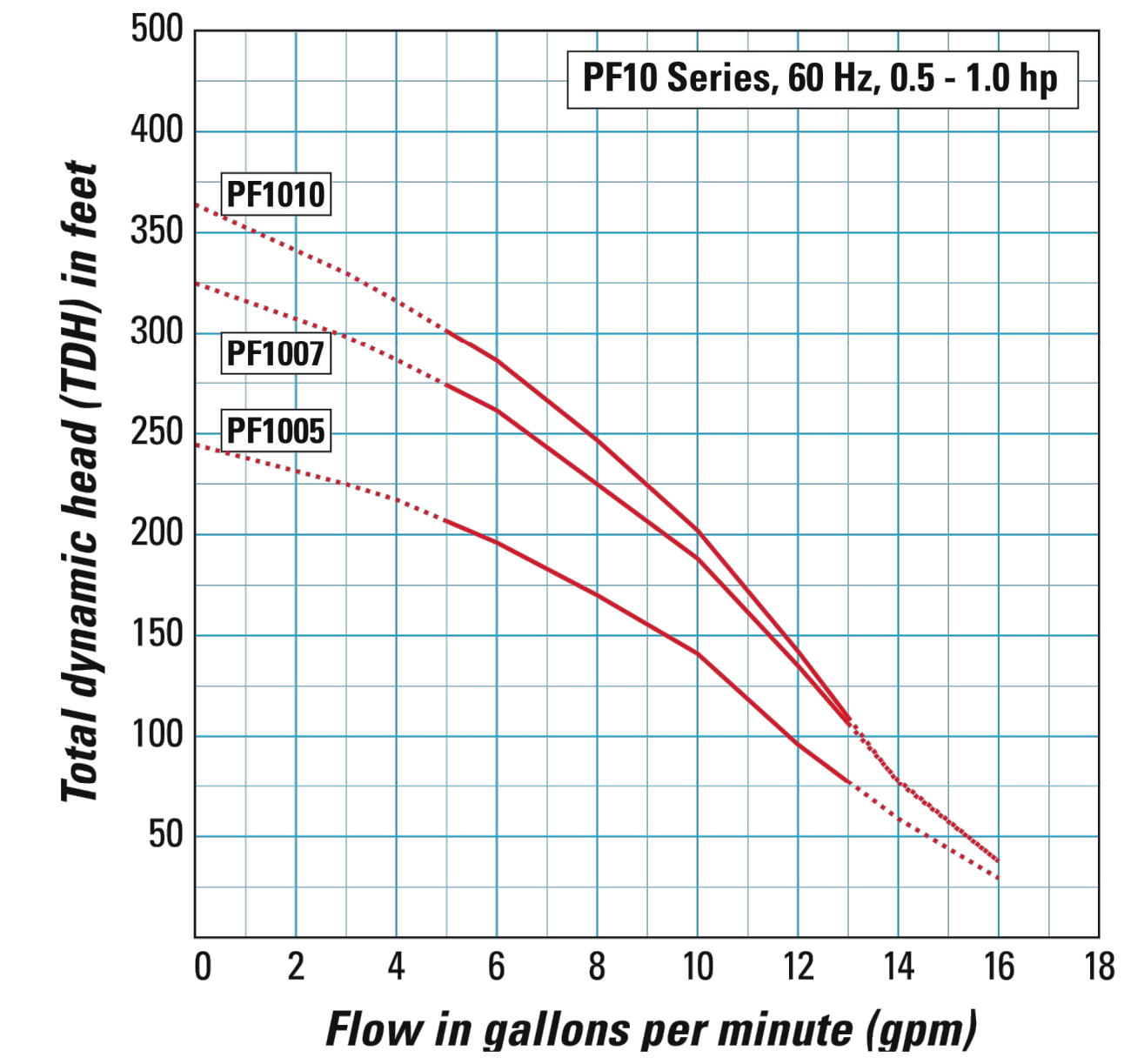


A C4.1 MECHANICAL SECTION VIEW SCALE: NTS



Precast Concrete Septic Tank ISO DETAIL

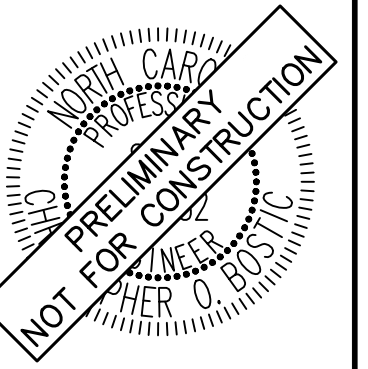
Pump Curves



SURVEY NOTE:
 EXISTING TOPOGRAPHICAL INFORMATION IS BASED ON A TOPOGRAPHIC SURVEY OBTAINED ON 02/23/2023 BY CMP PROFESSIONAL LAND SURVEYORS, 333 S. WHITE STREET, WAKE FOREST, NC, 27588. PHONE: (919) 556-3148. CONTRACTOR SHALL BE RESPONSIBLE FOR VERIFYING ALL EXISTING INFORMATION, DEPICTED OR NOT, PRIOR TO CONSTRUCTION AND REPORT POTENTIAL CONFLICTS TO OWNER AND ENGINEER.

NO.	REVISIONS	DATE	BY
1	TOWN COMMENTS	03/01/2024	JAA
2	TOWN COMMENTS	01/02/2024	JAA

Kimley»Horn
 © 2023 KIMLEY-HORN AND ASSOCIATES, INC.
 #F-0102 WWW.KIMLEY-HORN.COM PHONE: 919-677-2000 FAX: 919-677-2050
 421 FAYETTEVILLE STREET, SUITE 800, RALEIGH, NC 27601



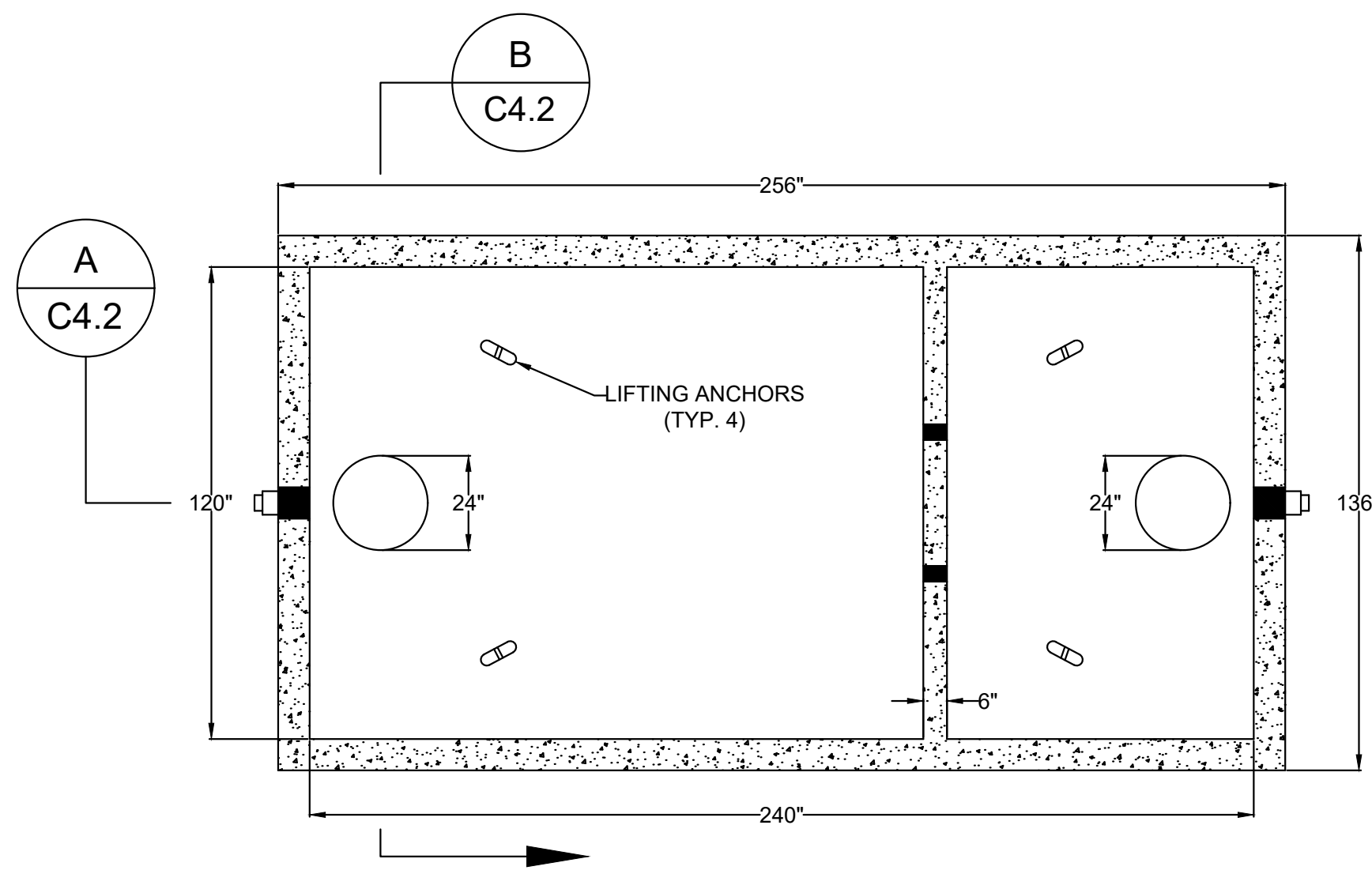
KHA PROJECT	016485000	DATE	10/31/2023	SCALE	AS SHOWN	DESIGNED BY	JAA	DRAWN BY	JAA	CHECKED BY	COE
-------------	-----------	------	------------	-------	----------	-------------	-----	----------	-----	------------	-----

MECHANICAL PLAN

THE LEARNING CENTER ROLESVILLE
 PREPARED FOR
ROLESVILLE, LLC.
 TOWN OF ROLESVILLE NORTH CAROLINA



Plotted By: Alexander, Jamal Sheet Set: THE LEARNING CENTER ROLESVILLE Layout: C4.2 SEPTIC TANK DETAILS March 01, 2024 05:27:38pm K:\SAL_LDEV\013031004_Rolesville Learning_Center\PT10_CAD Files\PlanSheets\C4.2 SEPTIC TANK DETAILS.dwg
 This document, together with the concepts and designs presented herein, is an instrument of service, is intended only for the specific purpose and client for which it was prepared. Reuse of and improper reliance on this document without written authorization and adaptation by Kimley-Horn and Associates, Inc. shall be without liability to Kimley-Horn and Associates, Inc.

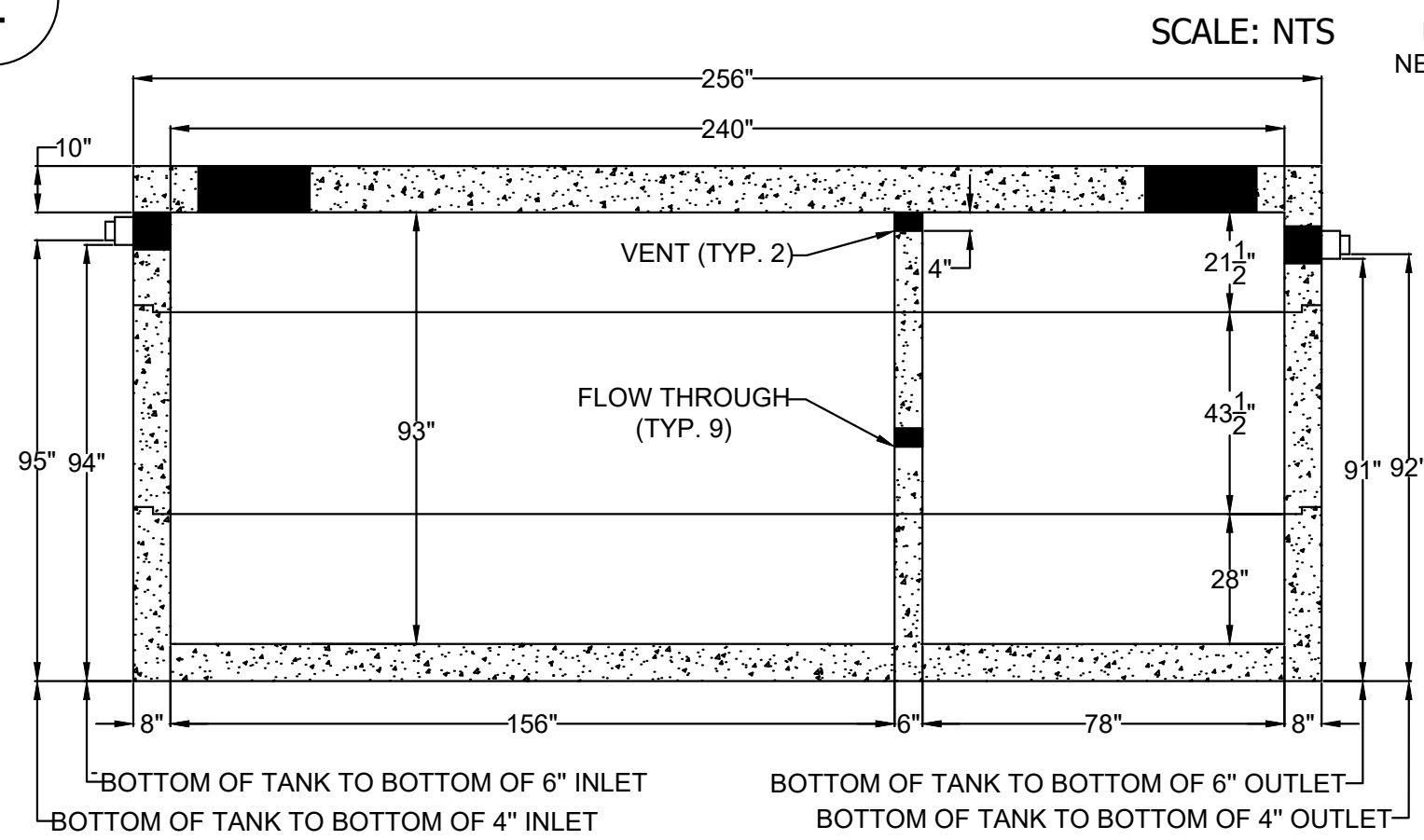


1 STRUCTURAL PLAN VIEW

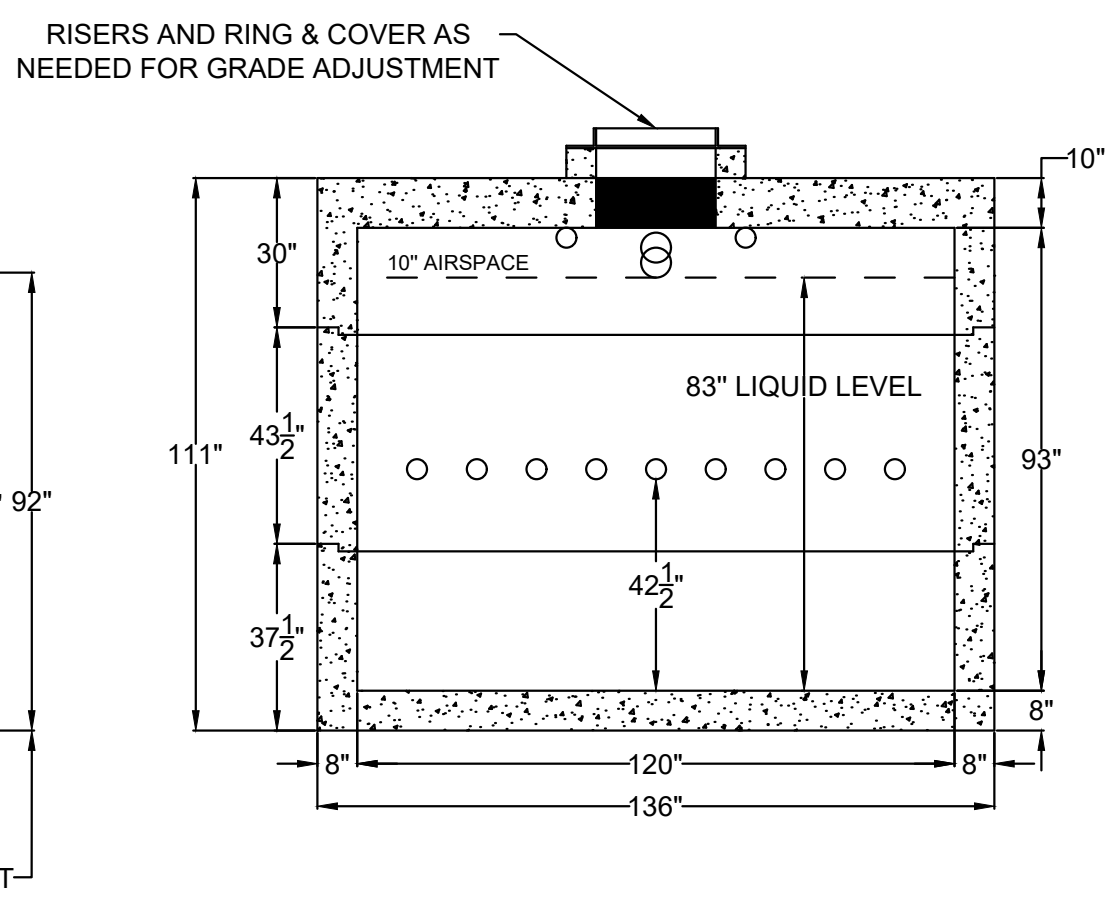
**SHOAF - 10,000 GAL. SEPTIC TANK
HS/20 TRAFFIC RATED**

SHOAF PRECAST INC.
 4130 W US HWY 64
 LEXINGTON, NC 27295
 PHONE (336) 787-5826
 FAX (336) 787-2826
 info@shoafprecast.com
 www.shoafprecast.com

- GAL. PER INCH - 121.56
- 2 TO 1 LENGTH TO WIDTH RATIO
- PIPE PENETRATION SEALS MEET ASTM C-923
- 1 1/4" BUTYL RUBBER SEALANT CONTINUOUS IN JOINTS
- REINFORCED PER ENGINEER SPECS
- CONCRETE - 5,000 PSI MIN.
- TANK WEIGHT - 106,000 #
- TOP - 40,000 #
- BOTTOM - 40,000 #
- RISER SECTION - 26,000 #



A STRUCTURAL SECTION VIEW
SCALE: NTS



B STRUCTURAL SECTION VIEW
SCALE: NTS

SURVEY NOTE:
 EXISTING TOPOGRAPHICAL INFORMATION IS BASED ON A TOPOGRAPHIC SURVEY OBTAINED ON 02/23/2023 BY CMP PROFESSIONAL LAND SURVEYORS, 333 S. WHITE STREET, WAKE FOREST, NC, 27588. PHONE: (919) 556-3148. CONTRACTOR SHALL BE RESPONSIBLE FOR VERIFYING ALL EXISTING INFORMATION, DEPICTED OR NOT, PRIOR TO CONSTRUCTION AND REPORT POTENTIAL CONFLICTS TO OWNER AND ENGINEER.



SDP-23-07

<h2 style="margin: 0;">SEPTIC TANK DETAILS</h2>	<h2 style="margin: 0;">THE LEARNING CENTER ROLESVILLE</h2> <p style="font-size: small; margin: 0;">PREPARED FOR ROLESVILLE, LLC. TOWN OF ROLESVILLE NORTH CAROLINA</p>
KHA PROJECT 016485000 DATE 10/31/2023 SCALE AS SHOWN DESIGNED BY JAA DRAWN BY JAA CHECKED BY COE	SHEET NUMBER C4.2
<p style="font-size: x-small; margin: 0;">© 2023 KIMLEY-HORN AND ASSOCIATES, INC. 421 FAYETTEVILLE STREET, SUITE 600, RALEIGH, NC 27601 #F-0102 WWW.KIMLEY-HORN.COM PHONE: 919.677.2000 FAX: 919.677.2050</p>	TOWN COMMENTS 03/01/2024 JAA TOWN COMMENTS 01/02/2024 JAA REVISIONS DATE BY

Plotted By: Alexander, Jamal Sheet Set: THE LEARNING CENTER ROLESVILLE, LAYOUT C5.0 EROSION CONTROL PLAN - PHASE 1, MARCH 01, 2024 05:21:54pm. K:\RAL_LDEV\013031004_Rolesville_Learning_Center\P10_CAD_Files\PlanSheets\C5.01 EROSION CONTROL PLAN.dwg
 This document, together with the concepts and designs presented herein, is intended only for the specific purpose and client for which it was prepared. Reuse of any part of this document without written authorization and adaptation by Kimley-Horn and Associates, Inc. shall be without liability to Kimley-Horn and Associates, Inc.

SELF MONITORING AND INSPECTION NOTIFICATION

THE SEDIMENTATION POLLUTION CONTROL ACT WAS AMENDED IN 2008 TO REQUIRE THAT PERSONS RESPONSIBLE FOR LAND-DISTURBING ACTIVITIES INSPECT A PROJECT AFTER EACH PHASE OF THE PROJECT TO MAKE SURE THAT THE APPROVED EROSION AND SEDIMENTATION CONTROL PLAN IS BEING FOLLOWED. RULES DETAILING THE DOCUMENTATION OF THESE INSPECTIONS BECAME EFFECTIVE OCTOBER 1, 2010. TO SIMPLIFY DOCUMENTATION OF SELF-INSPECTION REPORTS AND NPDES SELF-MONITORING REPORTS, A COMBINED FORM IS NOW AVAILABLE. THE NEW FORM WAS DEVELOPED TO SATISFY THE REQUIREMENTS OF THE SEDIMENTATION POLLUTION CONTROL ACT AND THE NPDES STORMWATER PERMIT FOR CONSTRUCTION ACTIVITIES, NCDENR BEGINNING AUGUST 1, 2013. THE DIVISION OF ENERGY, MINERAL AND LAND RESOURCES IS RESPONSIBLE FOR ADMINISTERING BOTH THE SPCA AND THE NPDES STORMWATER PERMIT FOR CONSTRUCTION ACTIVITIES. NCDENR FORM SHOULD MAKE IT EASIER TO COMPLY WITH SELF-INSPECTION REQUIREMENTS. THE COMBINED SELF-MONITORING FORM IS AVAILABLE AS A PDF AND WORD DOCUMENT FROM THE LAND QUALITY WEB SITE, [HTTP://PORTAL.NCDENR.ORG/WEB/EROSION](http://portal.ncdenr.org/web/erosion). IF YOU HAVE QUESTIONS, PLEASE CONTACT THE LAND QUALITY SECTION AT NCDENR REGIONAL OFFICE.

MAINTENANCE NOTES:

DURING THE DEVELOPMENT OF A SITE, THE DEVELOPER SHALL INSTALL AND MAINTAIN ALL TEMPORARY AND PERMANENT STORMWATER CONTROL MEASURES AS REQUIRED BY THE APPROVED PLAN OR ANY PROVISION OF THIS ARTICLE. THE ACT OR ANY ORDER ADOPTED PURSUANT TO THIS ARTICLE OR THE ACT AFTER SITE DEVELOPMENT, THE DEVELOPER SHALL INSTALL AND/OR MAINTAIN ALL NECESSARY PERMANENT STORMWATER CONTROL MEASURES SPECIFIED IN THE APPROVED PLAN, EXCEPT THOSE MEASURES INSTALLED WITHIN A ROAD OR STREET RIGHT-OF-WAY OR EASEMENT ACCEPTED FOR MAINTENANCE BY A GOVERNMENTAL AGENCY. CONVEYANCE OF THE PROPERTY SHALL NOT TERMINATE THE ORIGINAL DEVELOPER'S OBLIGATIONS UNDER THIS ARTICLE UNTIL SUCH TIME AS A REPLACEMENT PERMIT IS APPROVED BY THE COUNTY ENGINEER, OR DESIGNEE. THE ORIGINAL DEVELOPER SHALL INCLUDE IN THE DEED CONVEYING THE PROPERTY NOTICE OF THE EXISTENCE OF THE STORMWATER CONTROL MEASURES AND THE PURCHASER'S OBLIGATIONS TO MAINTAIN AND INSPECT THEM AND TO OBTAIN A PERMIT AND OTHERWISE COMPLY WITH THE TERMS OF THIS ARTICLE. REFER TO THE EROSION CONTROL DETAILS SHEET FOR ADDITIONAL MAINTENANCE NOTES. THE FOLLOWING ITEMS WILL BE CHECKED IN PARTICULAR:

- CONSTRUCTION ENTRANCE:**
INSPECT CONSTRUCTION ROADS AND PARKING AREAS PERIODICALLY FOR CONDITION OF SURFACE. TOP DRESS WITH NEW GRAVEL AS NEEDED. CHECK ROAD DITCHES AND OTHER SEEDED AREAS FOR EROSION AND SEDIMENTATION AFTER RUNOFF-PRODUCING RAINS. MAINTAIN ALL VEGETATION IN A HEALTHY, VIGOROUS CONDITION. SEDIMENT PRODUCING AREAS SHOULD BE TREATED IMMEDIATELY.
- SILT FENCE:**
INSPECT SEDIMENT FENCES AT LEAST ONCE A WEEK AND AFTER EACH RAINFALL. MAKE ANY REQUIRED REPAIRS IMMEDIATELY. SHOULD THE FABRIC OF A SEDIMENT FENCE COLLAPSE, TEAR, DECOMPOSE, OR BECOME INEFFECTIVE, REPLACE IT IMMEDIATELY. REMOVE SEDIMENT DEPOSITS AS NECESSARY TO PROVIDE ADEQUATE STORAGE VOLUME FOR THE NEXT RAIN AND TO REDUCE PRESSURE ON THE FENCE. TAKE CARE TO AVOID UNDERMINING THE FENCE DURING CLEANOUT. REMOVE ALL FENCING MATERIALS AND UNSTABLE SEDIMENT DEPOSITS AND BRING THE AREA TO GRADE AND STABILIZE IT AFTER THE CONTRIBUTING DRAINAGE AREA HAS BEEN PROPERLY STABILIZED.
- SILT FENCE GRAVEL OUTLET:**
INSPECT SEDIMENT FENCE GRAVEL OUTLETS AT LEAST ONCE A WEEK AND AFTER EACH RAINFALL. MAKE ANY REQUIRED REPAIRS IMMEDIATELY. REMOVE SEDIMENT DEPOSITS AS NECESSARY TO PROVIDE ADEQUATE STORAGE VOLUME FOR THE NEXT RAIN. ANY RIP RAP DISPLACED MUST BE REPLACED IMMEDIATELY.
- BLOCK AND GRAVEL INLET PROTECTION:**
INSPECT THE BARRIER OF AFTER EACH RAIN AND MAKE REPAIRS AS NEEDED. REMOVE SEDIMENT AS NECESSARY TO PROVIDE ADEQUATE STORAGE VOLUME FOR SUBSEQUENT RAINS. WHEN THE CONTRIBUTING DRAINAGE AREA HAS BEEN ADEQUATELY STABILIZED, REMOVE ALL MATERIALS AND ANY UNSTABLE SOIL, AND EITHER SALVAGE OR DISPOSE OF IT PROPERLY. BRING THE DISTURBED AREA TO PROPER GRADE, THEN SMOOTH AND COMPACT IT. APPROPRIATELY STABILIZE ALL BARE AREAS AROUND THE INLET.

NPDES GROUND COVER REQUIREMENTS

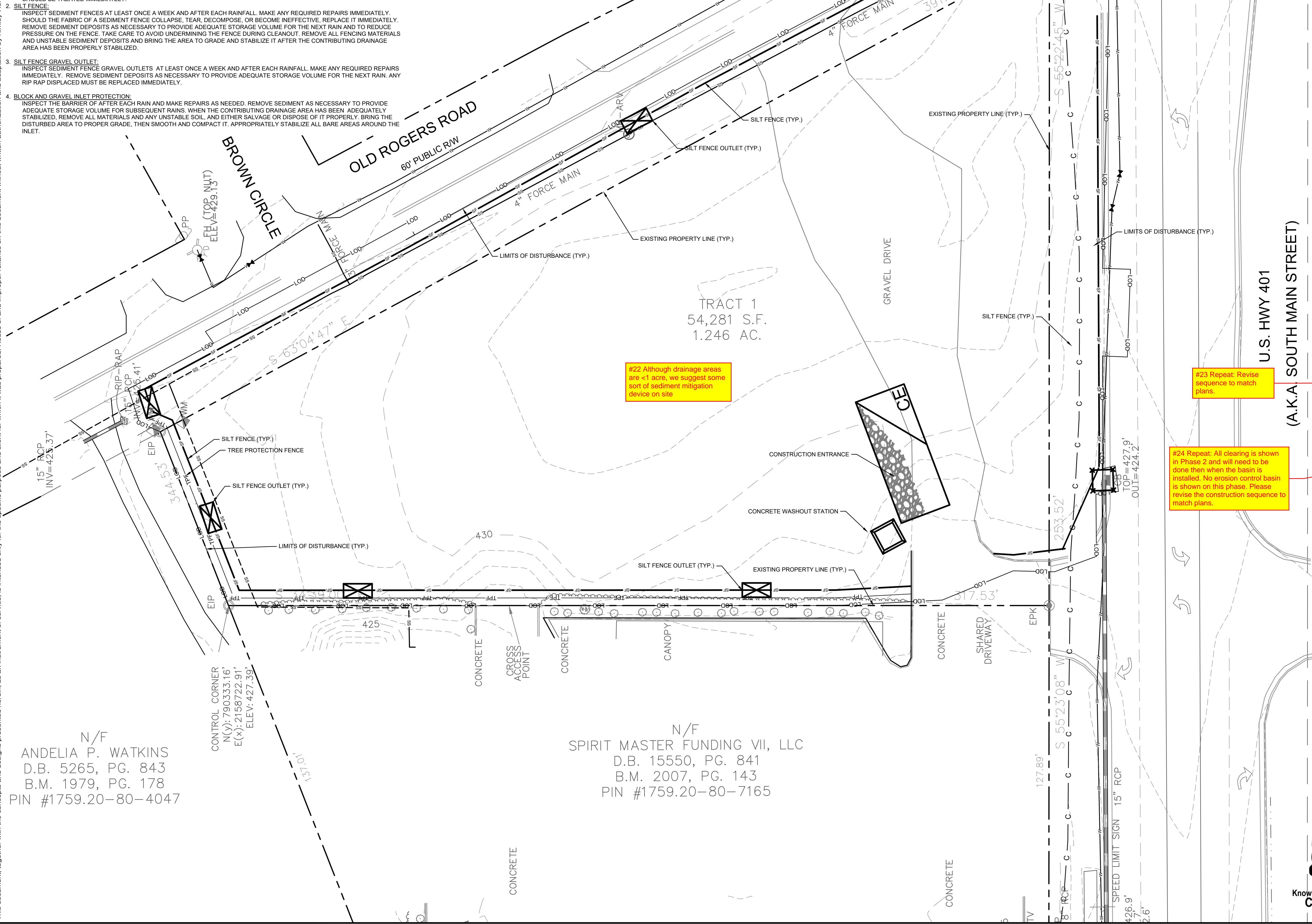
SITE AREA DESCRIPTION	STABILIZATION	TIME FRAME EXCEPTIONS
PERIMETER DIKES, SWALES, DITCHES, SLOPES	7 DAYS	NONE
HIGH QUALITY WATER (HQW) ZONES	7 DAYS	NONE
SLOPES STEEPER THAN 3:1	7 DAYS	IF SLOPES ARE 10' OR LESS IN LENGTH AND ARE NOT STEEPER THAN 2:1, 14 DAYS ARE ALLOWED.
SLOPES 3:1 OR FLATTER	14 DAYS	7 DAYS FOR SLOPES GREATER THAN 50' IN LENGTH
ALL OTHER AREAS WITH SLOPES FLATTER THAN 4:1	14 DAYS	NONE EXCEPT FOR PERIMETERS AND HQW ZONES.

SILT FENCES SHOWN ON PLANS ARE FOR REPRESENTATIVE PURPOSES, CONSTRUCT DIRECTLY ALONG THE CLEARING LIMITS WHERE APPLICABLE.

SILT FENCE OUTLETS ARE TO BE PROVIDED ALONG ALL LOW POINTS OF SILT FENCE AND AREAS WHERE RUNOFF MAY CONCENTRATE CAUSING DAMAGE TO SILT FENCE. CONTRACTOR TO INSTALL OUTLETS AS NECESSARY TO ENSURE SILT FENCE IS FULLY FUNCTIONAL THROUGHOUT THE DURATION OF CONSTRUCTION.

REFER TO GENERAL NOTES SHEET C0.1 FOR EROSION CONTROL, SEEDBED PREPARATION, AND SEEDING SCHEDULE NOTES FOR BOTH PHASES.

DISTURBED AREA: 1.53 AC



EROSION CONTROL LEGEND

---	PROPERTY LINE
-TCE-	TEMPORARY CONSTRUCTION EASEMENT
-LOD-	LIMITS OF DISTURBANCE
-SF-	SILT FENCE
-TPF-	TREE PROTECTION FENCE
-SF/TPF-	COMBINATION TREE PROTECTION/SILT FENCE
-> TD ->	TEMPORARY DIVERSION DITCH
-> TD(CW) ->	CLEAN WATER DIVERSION DITCH
-X-	SEDIMENT BASIN POROUS Baffles
-> P ->	PUMP DISCHARGE HOSE
-805-	EXISTING CONTOUR
-805-	PROPOSED CONTOUR
-> D ->	DRAINAGE AREA BOUNDARY
CE	CONSTRUCTION ENTRANCE
SO	SILT FENCE OUTLET
CS	CONCRETE WASHOUT STATION
CD	ROCK CHECK DAM
CI	INLET PROTECTION
CR	ROCK PIPE INLET PROTECTION
SK	SKIMMER
SD	TEMPORARY SLOPE DRAIN
RO	RIP-RAP OUTLET PROTECTION
SB	SILT BAG
DA	DESIGNATED AREAS TO BE STABILIZED WITHIN 7 DAYS
TE	TEMPORARY EROSION CONTROL MATTING

PHASE 1 CONSTRUCTION SEQUENCE:

- THE FOLLOWING PHASE 1 CONSTRUCTION SEQUENCE IS FURNISHED AS A GENERAL GUIDE FOR PREPARATION OF A SEQUENCE OF CONSTRUCTION EVENTS.
- SCHEDULE AN ON-SITE PRE-CONSTRUCTION CONFERENCE WITH WAKE COUNTY ENVIRONMENTAL CONSULTANT TO DISCUSS EROSION CONTROL MEASURES.
- OBTAIN LAND-DISTURBING PERMIT FROM WAKE COUNTY.
- INSTALL TEMPORARY CONSTRUCTION ENTRANCE, SILT FENCE, INLET PROTECTION, TREE PROTECTION, AND OTHER MEASURES AS SHOWN ON PLANS, CLEARING ONLY AS NECESSARY TO INSTALL THESE DEVICES (SEE LOD FOR INITIAL CLEARING LIMITS), SEED, MULCH, AND ANCHOR DIVERSION DITCH AND BASIN IMMEDIATELY AFTER CONSTRUCTION AS APPROPRIATE.
- CALL FOR ON-SITE INSPECTION BY WAKE COUNTY ENVIRONMENTAL CONSULTANT ONCE ALL EROSION CONTROL MEASURES ARE INSTALLED. OBTAIN CERTIFICATE OF COMPLIANCE FROM WAKE COUNTY.
- ONCE CERTIFICATE OF COMPLIANCE HAS BEEN OBTAINED, APPLY FOR NCDENR #NOI ON NCDENR WEBSITE.
- UPON APPROVAL, CLEARING AND DEMOLITION MAY BEGIN. MAINTAIN ALL EROSION CONTROL MEASURES AS NECESSARY. EROSION CONTROL MEASURES SHALL BE RESTORED TO ORIGINAL DIMENSIONS WHEN SEDIMENT ACCUMULATES TO 50% OF DESIGN DEPTH.
- INSPECT AND REPAIR EROSION CONTROL MEASURES AFTER EVERY RAINFALL EVENT OF 1/2" OR GREATER OR EVERY SEVEN (7) CALENDAR DAYS.
- FOR PHASED EROSION CONTROL PLANS, CONTRACTOR SHALL MEET WITH EROSION CONTROL INSPECTOR PRIOR TO COMMENCING EACH PHASE OF EROSION CONTROL MEASURES. SEED AND MULCH DENuded AREA WITHIN 15 CALENDAR DAYS AFTER ANY PHASE OF GRADING. MAINTAIN SOIL EROSION CONTROL MEASURES UNTIL PERMANENT GROUND COVER IS ESTABLISHED.
- ALL EROSION CONTROL MEASURES SHALL BE CONSTRUCTED IN ACCORDANCE WITH THE NCDENR EROSION AND SEDIMENT CONTROL PLANNING AND DESIGN MANUAL, U.S. DEPARTMENT OF AGRICULTURE, AND WAKE COUNTY EROSION CONTROL ORDINANCE.
- REFER TO SHEET C0.1 - GENERAL NOTES FOR GENERAL EROSION CONTROL NOTES AND MAINTENANCE.

SURVEY NOTE:
 EXISTING TOPOGRAPHICAL INFORMATION IS BASED ON A TOPOGRAPHIC SURVEY OBTAINED ON 02/23/2023 BY CMP PROFESSIONAL LAND SURVEYORS, 333 S. WHITE STREET, WAKE FOREST, NC 27888. PHONE: (919) 556-3148. CONTRACTOR SHALL BE RESPONSIBLE FOR VERIFYING ALL EXISTING INFORMATION DEPICTED OR NOT, PRIOR TO CONSTRUCTION AND REPORT POTENTIAL CONFLICTS TO OWNER AND ENGINEER.

N/F
 ANDELIA P. WATKINS
 D.B. 5265, PG. 843
 B.M. 1979, PG. 178
 PIN #1759.20-80-4047

N/F
 SPIRIT MASTER FUNDING VII, LLC
 D.B. 15550, PG. 841
 B.M. 2007, PG. 143
 PIN #1759.20-80-7165



SDP-23-07

THE LEARNING CENTER ROLESVILLE PREPARED FOR ROLESVILLE, LLC. TOWN OF ROLESVILLE NORTH CAROLINA	EROSION CONTROL PLAN - PHASE 1	KHA PROJECT 016485000	DATE 10/31/2023	SCALE AS SHOWN	DESIGNED BY JAA	DRAWN BY JAA	CHECKED BY COB
		TOWN COMMENTS 03/01/2024 JAA	TOWN COMMENTS 01/02/2024 JAA	REVISIONS No.	DATE 03/01/2024 JAA	BY	

SELF MONITORING AND INSPECTION NOTIFICATION

THE SEDIMENTATION POLLUTION CONTROL ACT WAS AMENDED IN 2006 TO REQUIRE THAT PERSONS RESPONSIBLE FOR LAND-DISTURBING ACTIVITIES INSPECT A PROJECT AT EACH PHASE OF THE PROJECT TO MAKE SURE THAT THE APPROVED EROSION AND SEDIMENTATION CONTROL PLAN IS BEING FOLLOWED. RULES DETAILING THE DOCUMENTATION OF THESE INSPECTIONS BECAME EFFECTIVE OCTOBER 1, 2010. TO SIMPLIFY DOCUMENTATION OF SELF-INSPECTION REPORTS AND NPDES SELF-MONITORING REPORTS, A COMBINED FORM IS NOW AVAILABLE. THE NEW FORM WAS DEVELOPED TO SATISFY THE REQUIREMENTS OF THE SEDIMENTATION POLLUTION CONTROL ACT AND THE NPDES STORMWATER PERMIT FOR CONSTRUCTION ACTIVITIES, NCG 0100.00, BEGINNING AUGUST 1, 2013. THE DIVISION OF ENERGY, MINERAL, AND LAND RESOURCES IS RESPONSIBLE FOR ADMINISTERING BOTH THE SPCA AND THE NPDES STORMWATER PERMIT FOR CONSTRUCTION ACTIVITIES. NCG 0100.00. THE COMBINED FORM SHOULD MAKE IT EASIER TO COMPLY WITH SELF-INSPECTION REQUIREMENTS. THE COMBINED SELF-MONITORING FORM IS AVAILABLE AS A PDF AND WORD DOCUMENT FROM THE LAND QUALITY WEB SITE, [HTTP://PORTAL.NC DENR.ORG/WEB/LR/EROSION](http://portal.ncdenr.org/web/lr/erosion) IF YOU HAVE QUESTIONS, PLEASE CONTACT THE LAND QUALITY SECTION AT NCDEQ REGIONAL OFFICE.

MAINTENANCE NOTES:

DURING THE DEVELOPMENT OF A SITE, THE DEVELOPER SHALL INSTALL AND MAINTAIN ALL TEMPORARY AND PERMANENT STORMWATER CONTROL MEASURES AS REQUIRED BY THE APPROVED PLAN OR ANY PROVISION OF THIS ARTICLE. THE ACT OR ANY ORDER ADOPTED PURSUANT TO THIS ARTICLE OR THE ACT, AFTER SITE DEVELOPMENT, THE DEVELOPER SHALL INSTALL AND/OR MAINTAIN ALL NECESSARY PERMANENT STORMWATER CONTROL MEASURES SPECIFIED IN THE APPROVED PLAN, EXCEPT THOSE MEASURES INSTALLED WITHIN A ROAD OR STREET RIGHT-OF-WAY OR EASEMENT ACCEPTED FOR MAINTENANCE BY A GOVERNMENTAL AGENCY. CONVEYANCE OF THE PROPERTY SHALL NOT TERMINATE THE ORIGINAL DEVELOPER'S OBLIGATIONS UNDER THIS ARTICLE UNTIL SUCH TIME AS A REPLACEMENT PERMIT IS APPROVED BY THE COUNTY ENGINEER, OR DESIGNEE. THE ORIGINAL DEVELOPER SHALL INCLUDE IN THE DEED CONVEYING THE PROPERTY NOTICE OF THE EXISTENCE OF THE STORMWATER CONTROL MEASURES AND THE PURCHASER'S OBLIGATIONS TO MAINTAIN AND INSPECT THEM AND TO OBTAIN A PERMIT AND OTHERWISE COMPLY WITH THE TERMS OF THIS ARTICLE. REFER TO THE EROSION CONTROL DETAILS SHEET FOR ADDITIONAL MAINTENANCE NOTES. THE FOLLOWING ITEMS WILL BE CHECKED IN PARTICULAR:

- CONSTRUCTION ENTRANCE:**
INSPECT CONSTRUCTION ROADS AND PARKING AREAS PERIODICALLY FOR CONDITION OF SURFACE. TOP DRESS WITH NEW GRAVEL AS NEEDED. CHECK ROAD DITCHES AND OTHER SEEDED AREAS FOR EROSION AND SEDIMENTATION AFTER RUNOFF-PRODUCING RAINS. MAINTAIN ALL VEGETATION IN A HEALTHY, VIGOROUS CONDITION. SEDIMENT PRODUCING AREAS SHOULD BE TREATED IMMEDIATELY.
- SILT FENCE:**
INSPECT SEDIMENT FENCES AT LEAST ONCE A WEEK AND AFTER EACH RAINFALL. MAKE ANY REQUIRED REPAIRS IMMEDIATELY. SHOULD THE FABRIC OF A SEDIMENT FENCE COLLAPSE, TEAR, DECOMPOSE, OR BECOME INEFFECTIVE, REPLACE IT IMMEDIATELY. REMOVE SEDIMENT DEPOSITS AS NECESSARY TO PROVIDE ADEQUATE STORAGE VOLUME FOR THE NEXT RAIN AND TO REDUCE PRESSURE ON THE FENCE. TAKE CARE TO AVOID UNDERMINING THE FENCE DURING CLEANOUT. REMOVE ALL FENCING MATERIALS AND UNSTABLE SEDIMENT DEPOSITS AND BRING THE AREA TO GRADE AND STABILIZE IT AFTER THE CONTRIBUTING DRAINAGE AREA HAS BEEN PROPERLY STABILIZED.
- SILT FENCE GRAVEL OUTLET:**
INSPECT SEDIMENT FENCE GRAVEL OUTLETS AT LEAST ONCE A WEEK AND AFTER EACH RAINFALL. MAKE ANY REQUIRED REPAIRS IMMEDIATELY. REMOVE SEDIMENT DEPOSITS AS NECESSARY TO PROVIDE ADEQUATE STORAGE VOLUME FOR THE NEXT RAIN. ANY RIP RAP DISPLACED MUST BE REPLACED IMMEDIATELY.
- BLOCK AND GRAVEL INLET PROTECTION:**
INSPECT THE BARRIER OF AFTER EACH RAIN AND MAKE REPAIRS AS NEEDED. REMOVE SEDIMENT AS NECESSARY TO PROVIDE ADEQUATE STORAGE VOLUME FOR SUBSEQUENT RAINS. WHEN THE CONTRIBUTING DRAINAGE AREA HAS BEEN ADEQUATELY STABILIZED, REMOVE ALL MATERIALS AND ANY UNSTABLE SOIL, AND EITHER SALVAGE OR DISPOSE OF IT PROPERLY. BRING THE DISTURBED AREA TO PROPER GRADE, THEN SMOOTH AND COMPACT IT. APPROPRIATELY STABILIZE ALL BARE AREAS AROUND THE INLET.

NPDES GROUND COVER REQUIREMENTS

SITE AREA DESCRIPTION	STABILIZATION	TIME FRAME EXCEPTIONS
PERIMETER DIKES, SWALES, DITCHES, SLOPES	7 DAYS	NONE
HIGH QUALITY WATER (HQW) ZONES	7 DAYS	NONE
SLOPES STEEPER THAN 3:1	7 DAYS	IF SLOPES ARE 10' OR LESS IN LENGTH AND ARE NOT STEEPER THAN 2:1, 14 DAYS ARE ALLOWED.
SLOPES 3:1 OR FLATTER	14 DAYS	7 DAYS FOR SLOPES GREATER THAN 50' IN LENGTH
ALL OTHER AREAS WITH SLOPES FLATTER THAN 4:1	14 DAYS	NONE EXCEPT FOR PERIMETERS AND HQW ZONES.

SILT FENCES SHOWN ON PLANS ARE FOR REPRESENTATIVE PURPOSES. CONSTRUCT DIRECTLY ALONG THE CLEARING LIMITS WHERE APPLICABLE.

SILT FENCE OUTLETS ARE TO BE PROVIDED ALONG ALL LOW POINTS OF SILT FENCE AND AREAS WHERE RUNOFF MAY CONCENTRATE CAUSING DAMAGE TO SILT FENCE. CONTRACTOR TO INSTALL OUTLETS AS NECESSARY TO ENSURE SILT FENCE IS FULLY FUNCTIONAL THROUGHOUT THE DURATION OF CONSTRUCTION.

REFER TO GENERAL NOTES SHEET C0.1 FOR EROSION CONTROL, SEEDING PREPARATION, AND SEEDING SCHEDULE NOTES FOR BOTH PHASES.

DISTURBED AREA: 1.53 AC

EROSION CONTROL LEGEND

- PROPERTY LINE
- TCE- TEMPORARY CONSTRUCTION EASEMENT
- LOD- LIMITS OF DISTURBANCE
- SF- SILT FENCE
- TPF- TREE PROTECTION FENCE
- SF/TPF- COMBINATION TREE PROTECTION/SILT FENCE
- TD → TD TEMPORARY DIVERSION DITCH
- TD(CW) → CLEAN WATER DIVERSION DITCH
- X- SEDIMENT BASIN POROUS Baffles
- PUMP DISCHARGE HOSE
- 805- EXISTING CONTOUR
- 805- PROPOSED CONTOUR
- - - DRAINAGE AREA BOUNDARY
- CE CONSTRUCTION ENTRANCE
- SILT FENCE OUTLET
- CONCRETE WASHOUT STATION
- ROCK CHECK DAM
- INLET PROTECTION
- ROCK PIPE INLET PROTECTION
- SKIMMER
- TEMPORARY SLOPE DRAIN
- RIP-RAP OUTLET PROTECTION
- SILT BAG
- DESIGNATED AREAS TO BE STABILIZED WITHIN 7 DAYS
- TEMPORARY EROSION CONTROL MATTING

- PHASE 2 CONSTRUCTION SEQUENCE:**
- THE FOLLOWING PHASE 2 CONSTRUCTION SEQUENCE IS FURNISHED AS A GENERAL GUIDE FOR PREPARATION OF A SEQUENCE OF CONSTRUCTION EVENTS.
 - MAINTAIN CONSTRUCTION ENTRANCE AND SILT FENCE.
 - CALL FOR ON-SITE INSPECTION BY INSPECTOR ONCE ALL PHASE 2 EROSION CONTROL MEASURES ARE INSTALLED. OBTAIN CERTIFICATE OF COMPLIANCE FROM WAKE COUNTY.
 - CONTRACTOR IS TO CUT AND/OR FILL AREAS TO BRING THE SITE TO THE PROPOSED GRADES SHOWN ON THE GRADING AND DRAINAGE PLANS. GRADING ACTIVITY SHALL BE LIMITED TO WITHIN THE CLEARING LIMITS. MAINTAIN ALL EROSION CONTROL MEASURES AS NECESSARY.
 - PROVIDE GROUND COVER ON SLOPES GREATER THAN 3:1 WITHIN 7 DAYS FOLLOWING COMPLETION OF ANY PHASE OF GRADING. PROVIDE GROUND COVER TO ALL OTHER AREAS WITHIN 14 DAYS FOLLOWING COMPLETION OF ANY PHASE OF GRADING OR INACTIVITY.
 - INSTALL STORM DRAINAGE AND PROTECT INLETS WITH BLOCK AND GRAVEL INLET CONTROLS, SEDIMENT TRAPS, OR OTHER APPROVED MEASURES AS SHOWN ON THE PLAN.
 - STABILIZE SITE AS AREAS ARE BROUGHT UP TO FINISH GRADE WITH VEGETATION, PAVING, DITCH LININGS, ETC. SEED AND MULCH DENUDEED AREAS PER GROUND STABILIZATION TIME FRAMES.
 - INSPECT AND REPAIR EROSION CONTROL MEASURES AFTER EVERY RAINFALL EVENT OF 1/2" OR GREATER OR EVERY SEVEN (7) CALENDAR DAYS.
 - ALL EROSION CONTROL MEASURES SHALL BE CONSTRUCTED IN ACCORDANCE WITH THE NC DENR EROSION AND SEDIMENT CONTROL PLANNING AND DESIGN MANUAL, U.S. DEPARTMENT OF AGRICULTURE, AND WAKE COUNTY EROSION CONTROL ORDINANCE.
 - REFER TO SHEET C0.1 - GENERAL NOTES FOR GENERAL EROSION CONTROL NOTES AND MAINTENANCE.
 - ALL EROSION CONTROL MEASURES TO REMAIN IN PLACE UNTIL +/- 80% STABILIZATION IS ACHIEVED.
 - ONCE CONSTRUCTION IS COMPLETE AND ENTIRE SITE IS STABILIZED, CALL FOR FINAL INSPECTION BY WAKE COUNTY ENVIRONMENTAL CONSULTANT. IF APPROVED, REMOVE REMAINING EROSION CONTROL MEASURES. ALL REMAINING PERMANENT EROSION CONTROL DEVICES SHOULD NOW BE INSTALLED.
 - WHEN VEGETATION HAS BECOME ESTABLISHED, CALL FOR A FINAL INSPECTION BY WAKE COUNTY ENVIRONMENTAL CONSULTANT. OBTAIN A CERTIFICATE OF COMPLETION.

SURVEY NOTE:
EXISTING TOPOGRAPHICAL INFORMATION IS BASED ON A TOPOGRAPHIC SURVEY OBTAINED ON 02/23/2023 BY CMP PROFESSIONAL LAND SURVEYORS, 333 S. WHITE STREET, WAKE FOREST, NC, 27888. PHONE: (919) 556-3148. CONTRACTOR SHALL BE RESPONSIBLE FOR VERIFYING ALL EXISTING INFORMATION, DEPICTED OR NOT, PRIOR TO CONSTRUCTION AND REPORT POTENTIAL CONFLICTS TO OWNER AND ENGINEER.

PLOTTED BY: Alexander, Jamal Sheet Set: THE LEARNING CENTER ROLESVILLE, LAYOUT: C5.1 EROSION CONTROL PLAN - PHASE 2, MARCH 01, 2024, 05:22:16pm. K:\RAL_LDEV\013031004_Rolesville_Learning_Center\P10_CAD\PlanSheets\C5-02 EROSION CONTROL PLAN.dwg
 This document, together with the concepts and designs presented herein, is an instrument of service, as intended only for the specific purpose and client for which it was prepared. Reuse of and improper reliance on this document without written authorization and adaptation by Kimley-Horn and Associates, Inc. shall be without liability to Kimley-Horn and Associates, Inc.

N/F
ANDELIA P. WATKINS
D.B. 5265, PG. 843
B.M. 1979, PG. 178
PIN #1759.20-80-4047

N/F
SPIRIT MASTER FUNDING VII, LLC
D.B. 15550, PG. 841
B.M. 2007, PG. 143
PIN #1759.20-80-7165



SDP-23-07

THE LEARNING CENTER ROLESVILLE
EROSION CONTROL PLAN - PHASE 2
PREPARED FOR ROLESVILLE, LLC.
TOWN OF ROLESVILLE NORTH CAROLINA

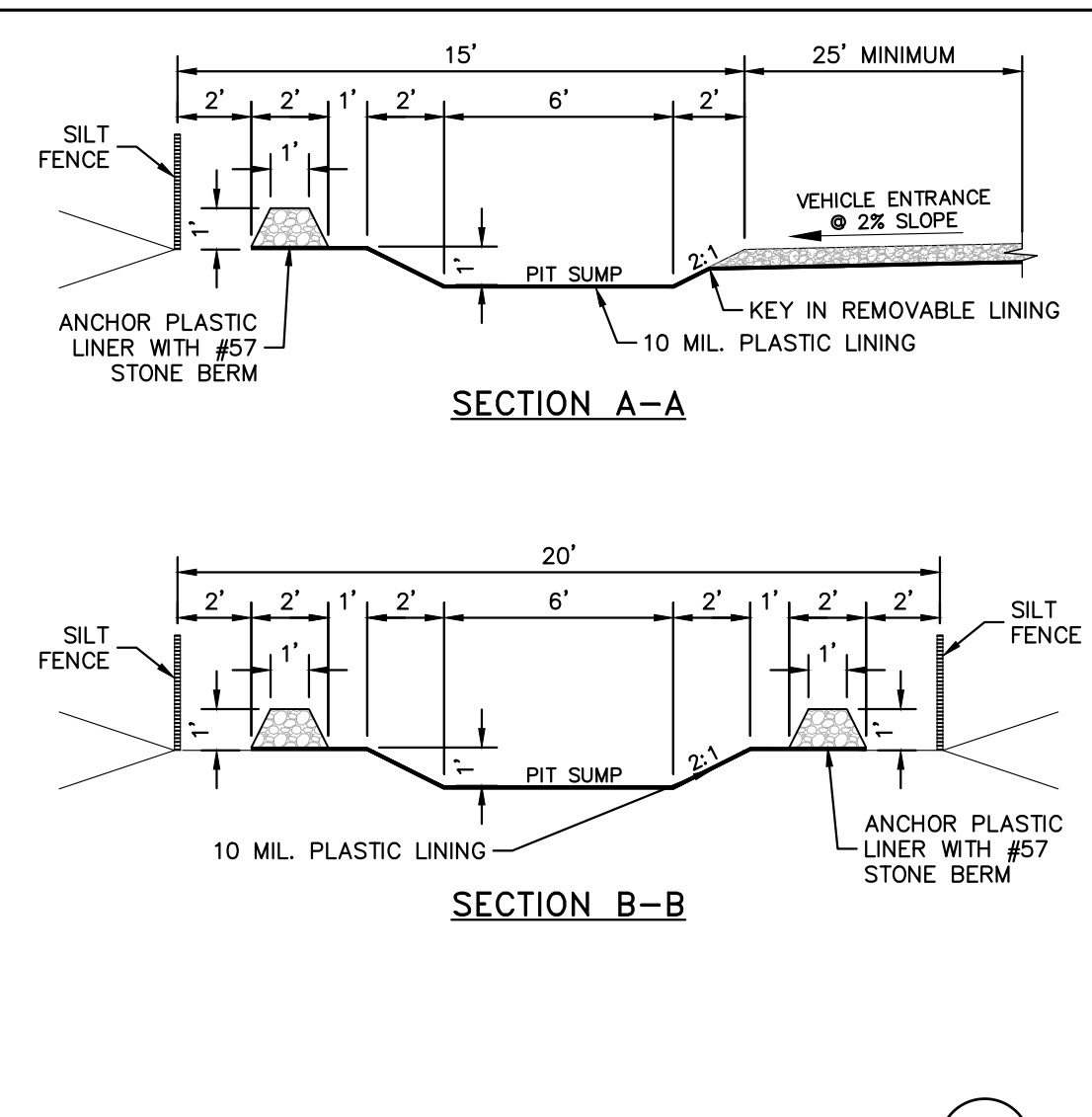
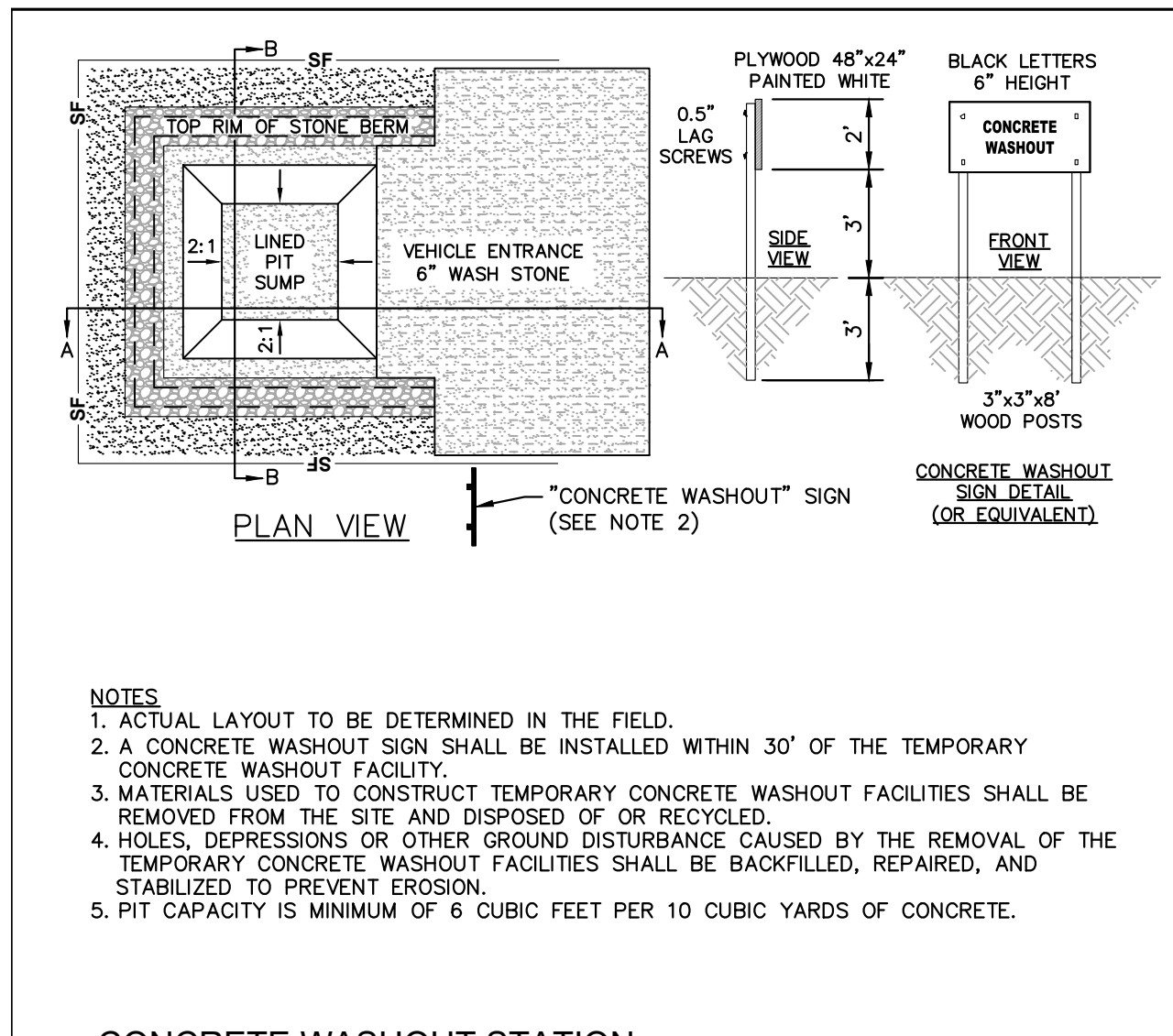
Kimley-Horn
© 2023 KIMLEY-HORN AND ASSOCIATES, INC.
#F-0102 WWW.KIMLEY-HORN.COM PHONE: 919.677.2000 FAX: 919.677.2050
421 FAYETTEVILLE STREET, SUITE 800, RALEIGH, NC 27601

NOT FOR CONSTRUCTION

KHA PROJECT	016485000	DATE	10/31/2023	SCALE	AS SHOWN	DESIGNED BY	JAA	DRAWN BY	JAA	CHECKED BY	COB
TOWN COMMENTS		TOWN COMMENTS		REVISIONS		DATE					

SHEET NUMBER **C5.1**

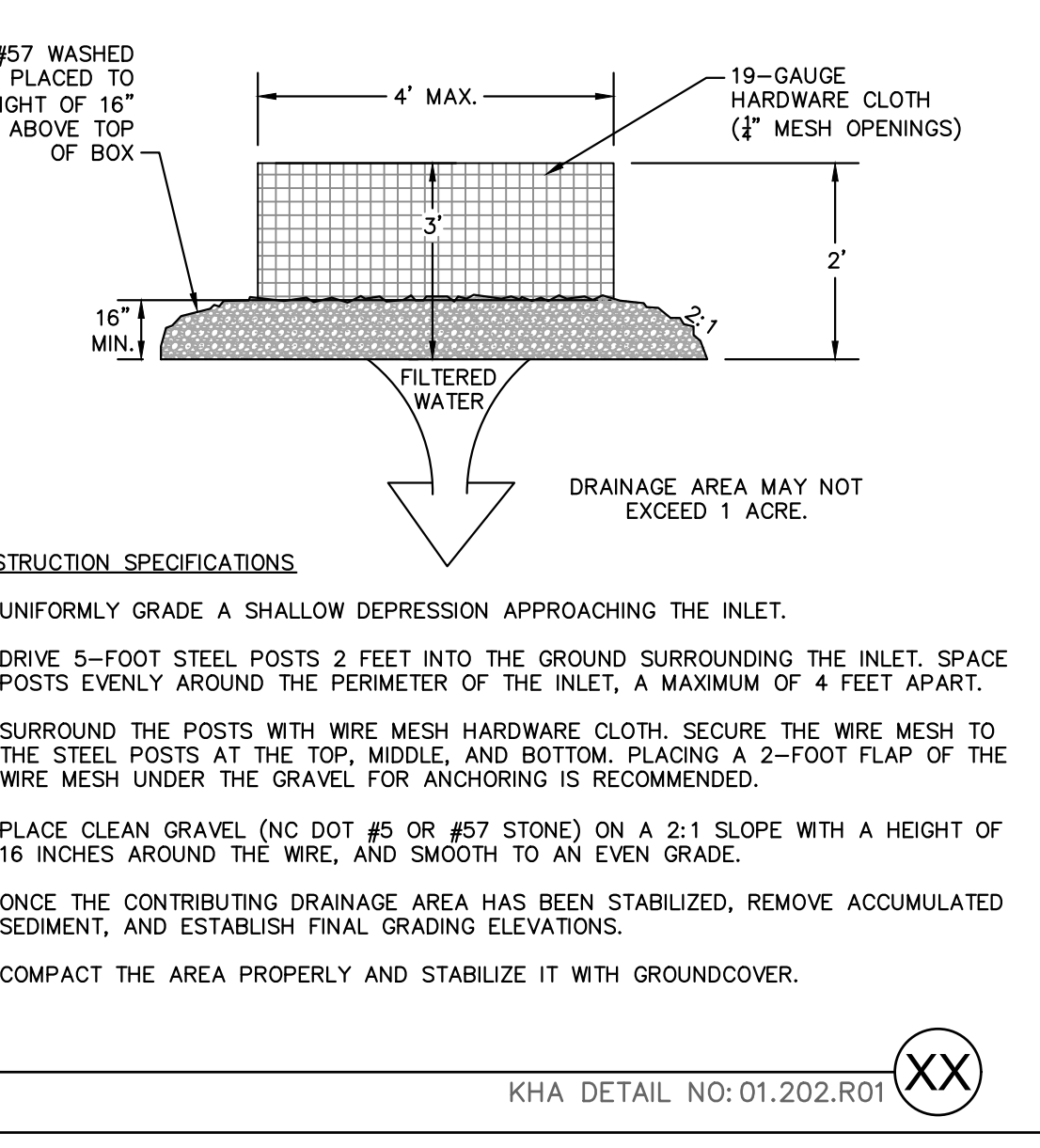
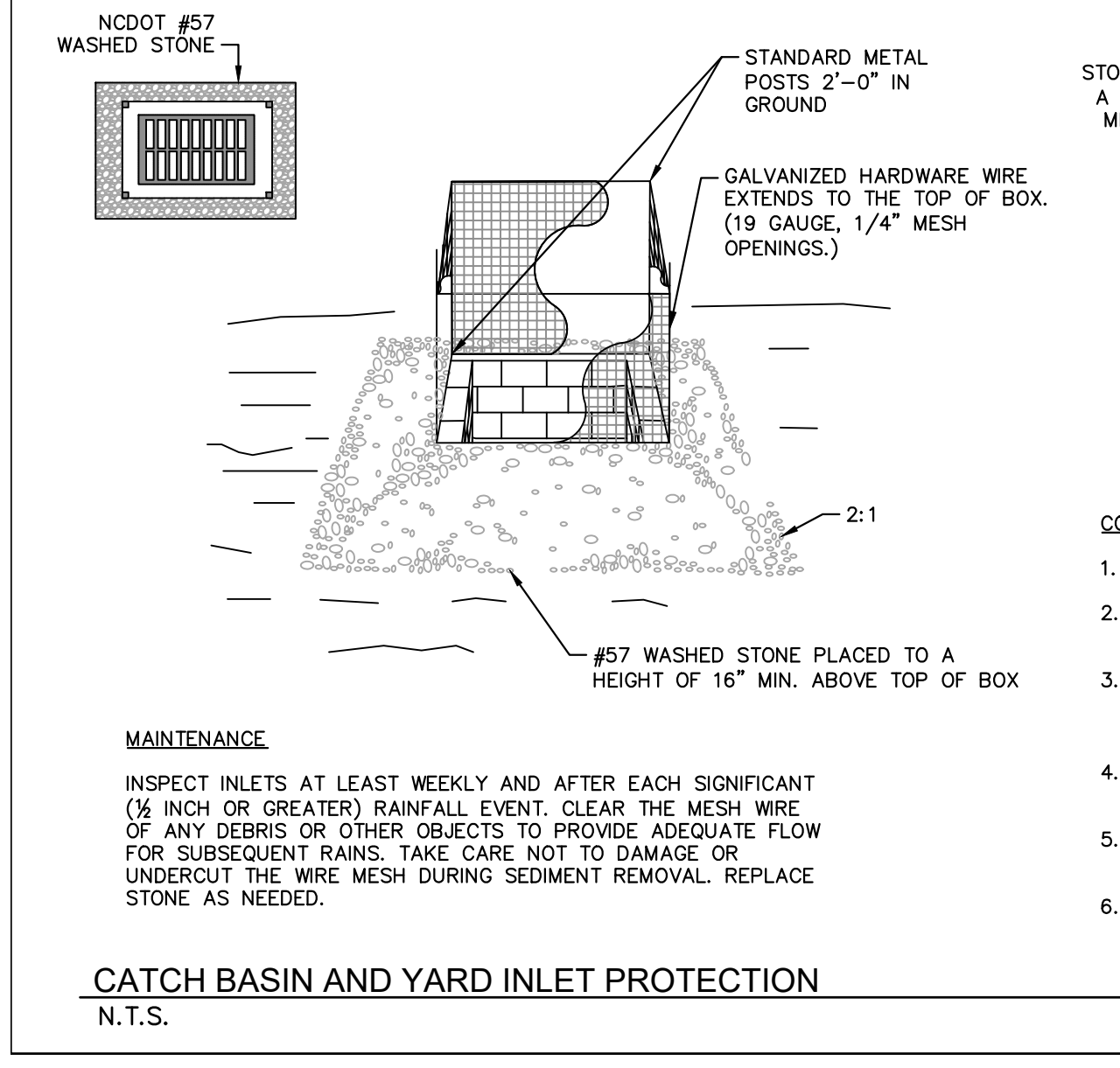
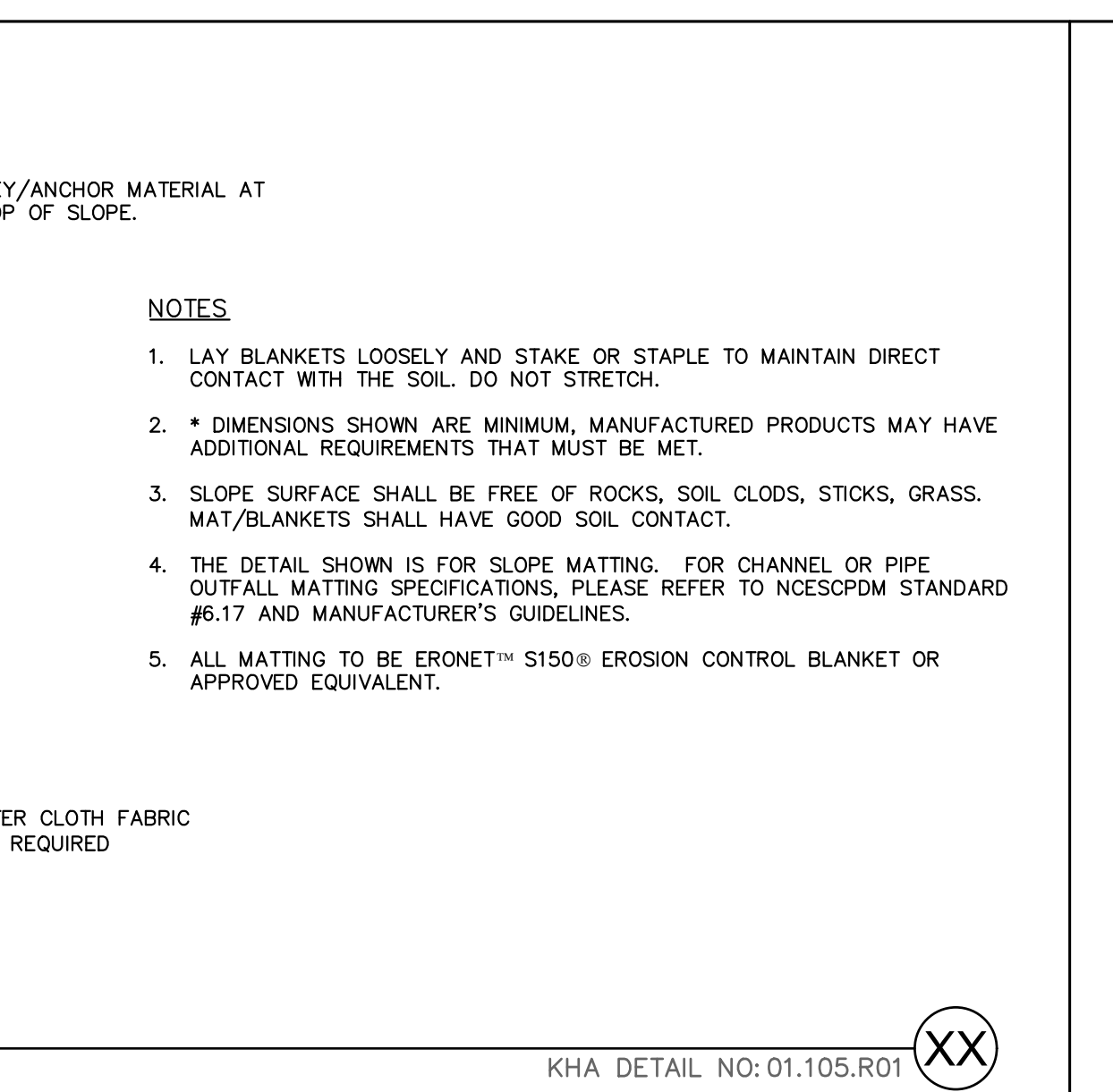
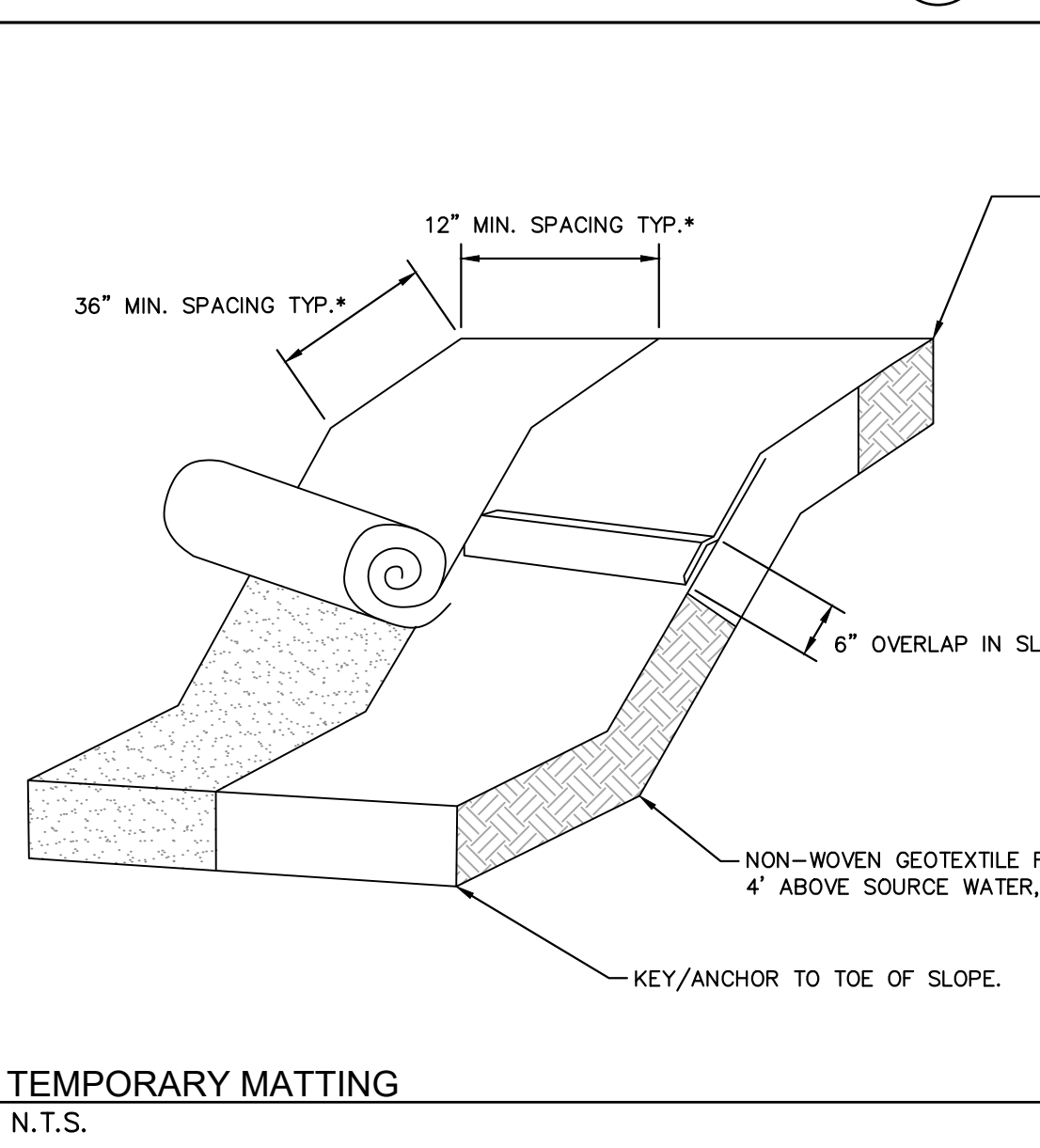
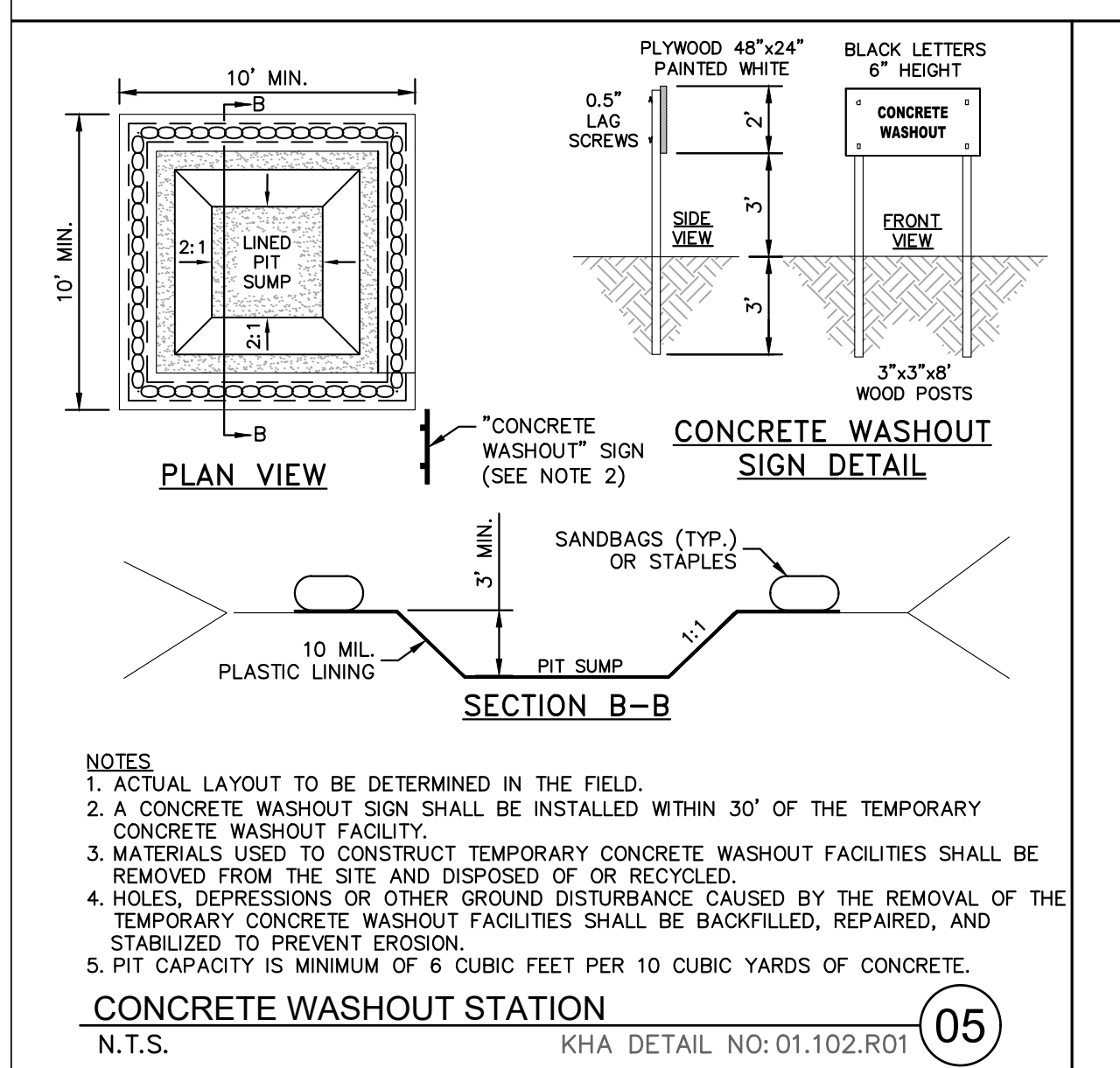
PLOTTED BY: Alexander, Jamal Sheet Set: THE LEARNING CENTER ROLESVILLE EROSION CONTROL DETAILS March 01, 2024 05:22:34pm K:\RAL_LDEVD13031004_Rolesville Learning Center\PI10_CAD Files\PI10_Sheets\CS7 EROSION CONTROL DETAILS.dwg
 This document, together with the concepts and designs presented herein, is an instrument of service, as an instrument of service, is intended only for the specific purpose and client for which it was prepared. Reuse of and improper reliance on this document without written authorization and adaptation by Kimley-Horn and Associates, Inc. shall be without liability to Kimley-Horn and Associates, Inc.



DATE	TYPE	PLANTING RATE	REGION
JAN. 1 - MAY 1	RYE (GRAIN)	120 LBS/ACRE	PIEDMONT
JAN. 1 - MAY 1	ANNUAL LESPEDEZA (KOBE)	50 LBS/ACRE	PIEDMONT
MAY 1 - AUG. 15	GERMAN MILLET	40 LBS/ACRE	PIEDMONT
MAY 1 - AUG. 15	SMALL-STEMMED SUDANGRASS	50 LBS/ACRE	PIEDMONT
AUG. 15 - DEC. 30	RYE (GRAIN)	120 LBS/ACRE	PIEDMONT
DEC. 1 - APR. 15	RYE (GRAIN)	120 LBS/ACRE	COASTAL PLAIN
DEC. 1 - APR. 15	ANNUAL LESPEDEZA (KOBE)	50 LBS/ACRE	COASTAL PLAIN
APR. 15 - AUG. 15	GERMAN MILLET	40 LBS/ACRE	COASTAL PLAIN
AUG. 15 - DEC. 30	RYE (GRAIN)	120 LBS/ACRE	COASTAL PLAIN
FEB. 15 - MAY 15	RYE (GRAIN)	120 LBS/ACRE	MOUNTAINS - ABOVE 2500 FEET
FEB. 1 - MAY 1	RYE (GRAIN)	120 LBS/ACRE	MOUNTAINS - BELOW 2500 FEET
FEB. 15 - MAY 15	ANNUAL LESPEDEZA (KOREAN)	50 LBS/ACRE	MOUNTAINS - ABOVE 2500 FEET
FEB. 1 - MAY 1	ANNUAL LESPEDEZA (KOREAN)	50 LBS/ACRE	MOUNTAINS - BELOW 2500 FEET
MAY 15 - AUG. 15	GERMAN MILLET	40 LBS/ACRE	MOUNTAINS
MAY 15 - AUG. 15	SMALL-STEMMED SUDANGRASS	50 LBS/ACRE	MOUNTAINS
AUG. 15 - DEC. 15	RYE (GRAIN)	120 LBS/ACRE	MOUNTAINS

NOTES:

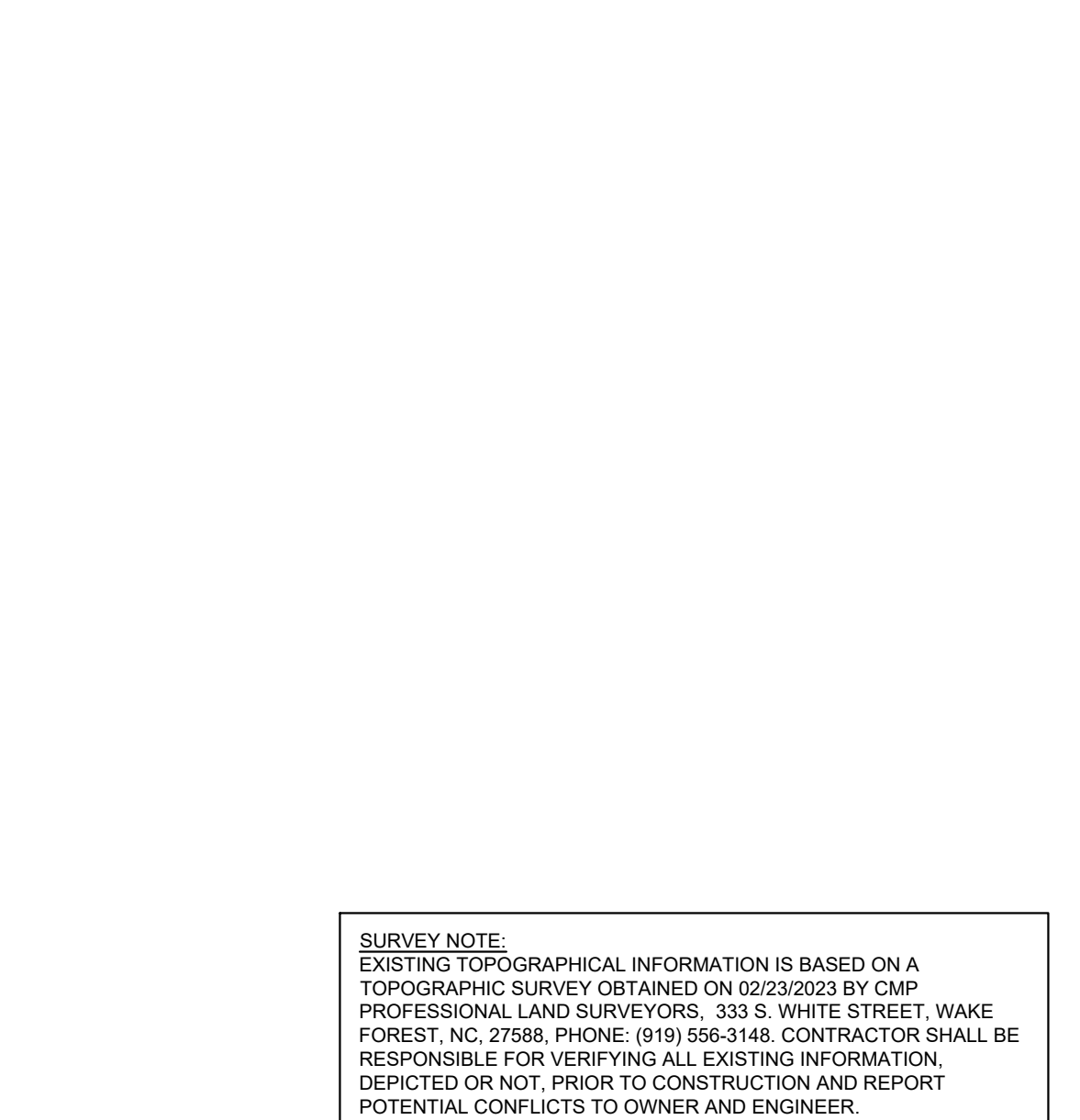
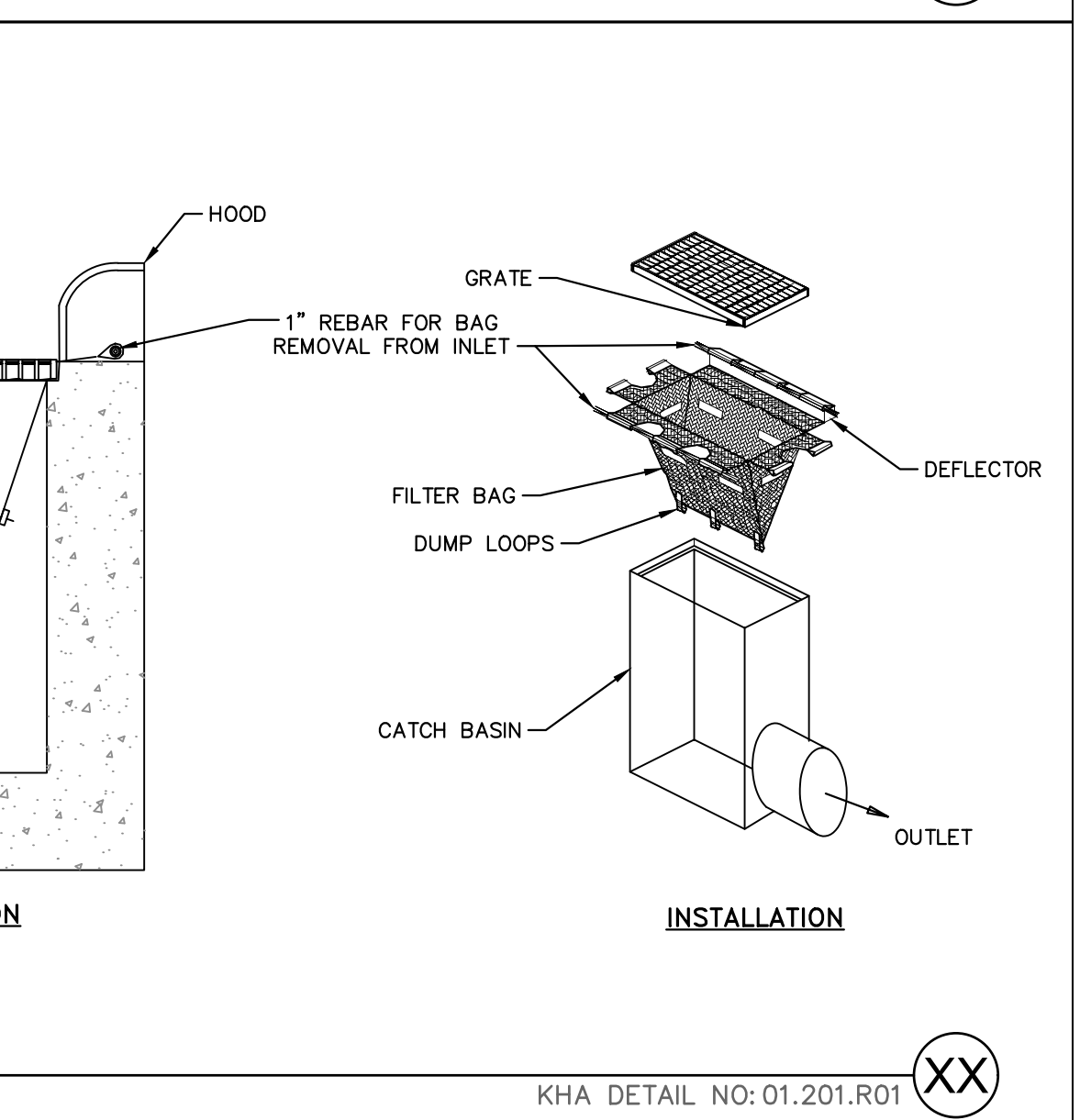
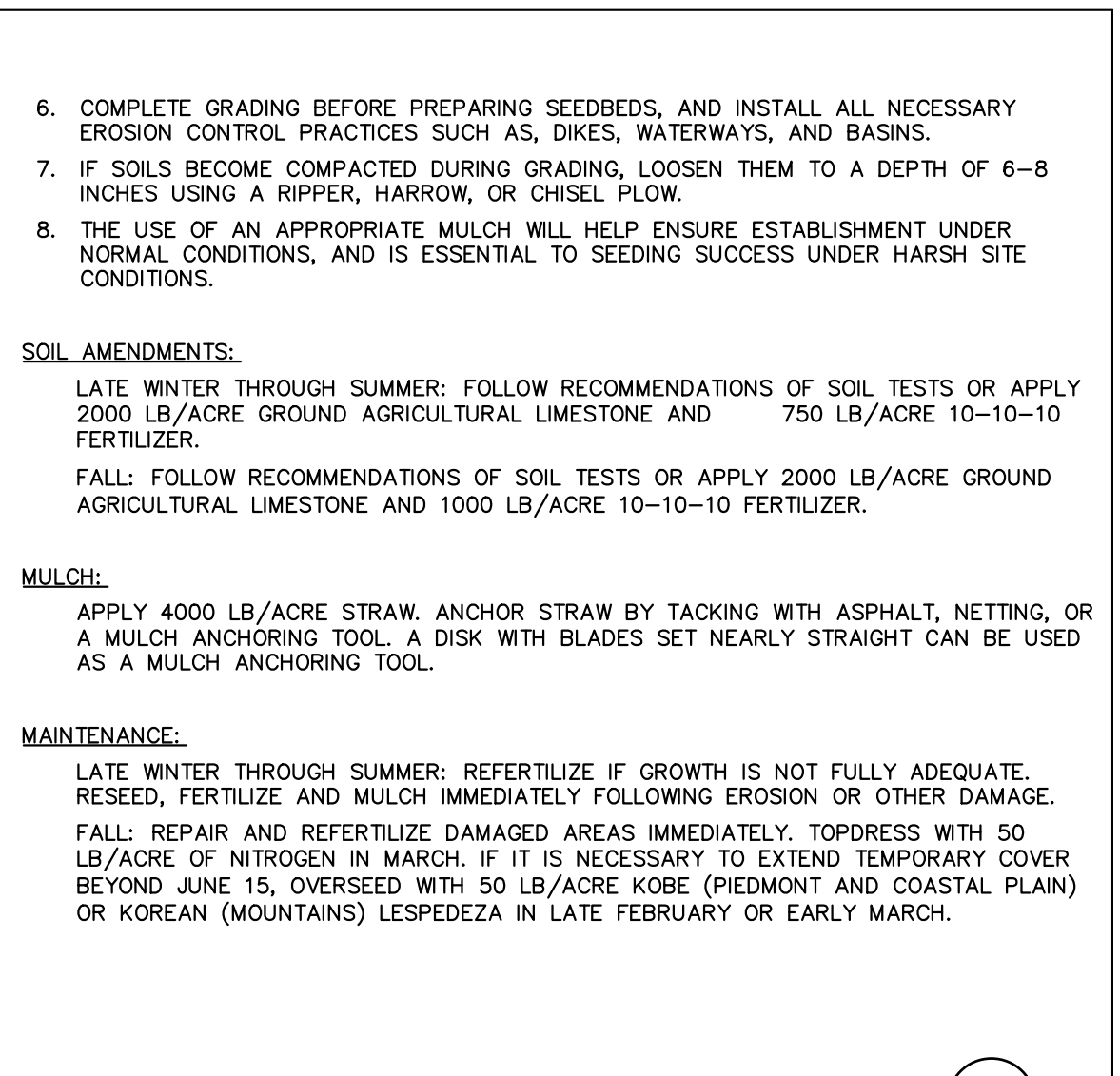
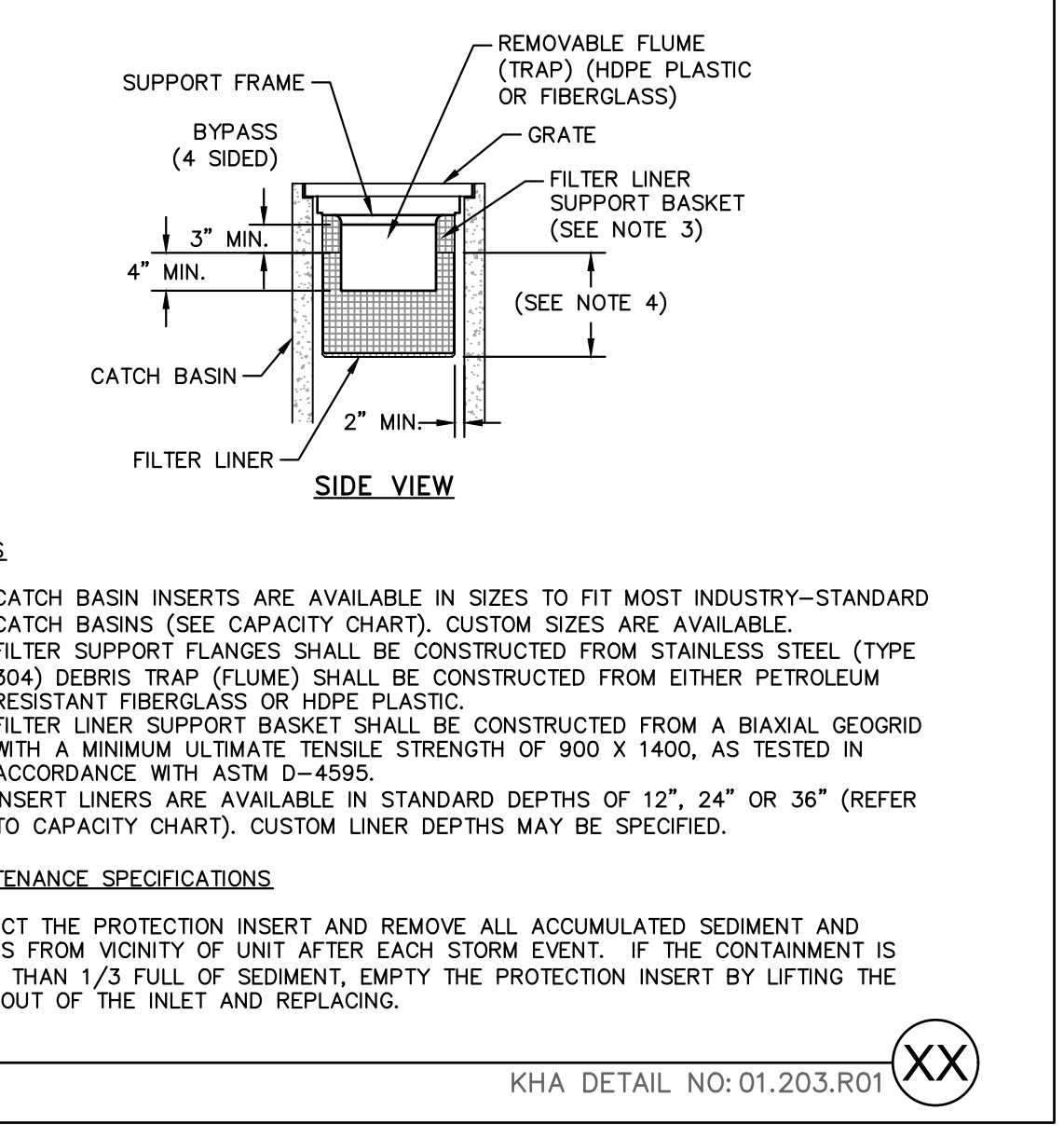
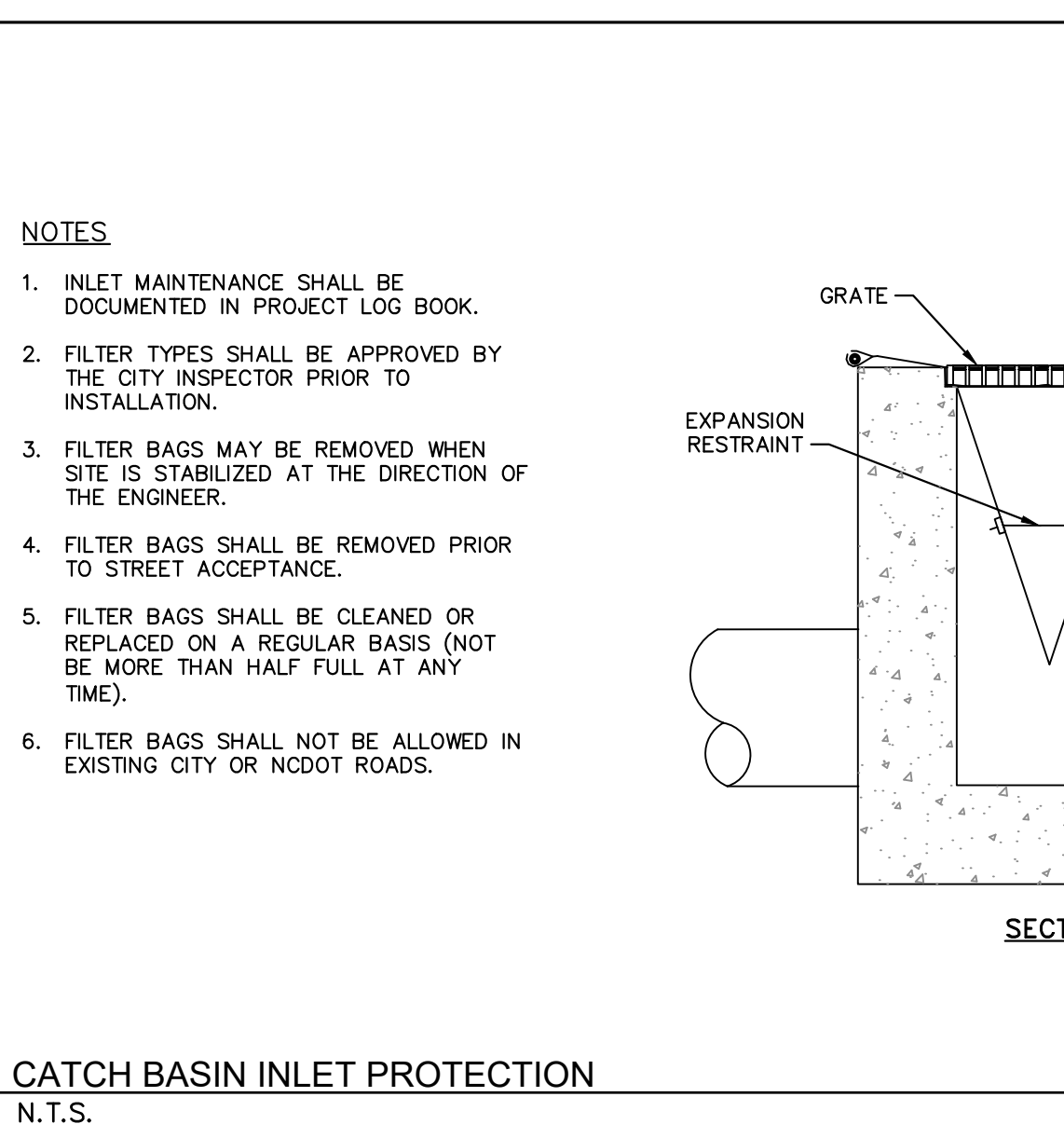
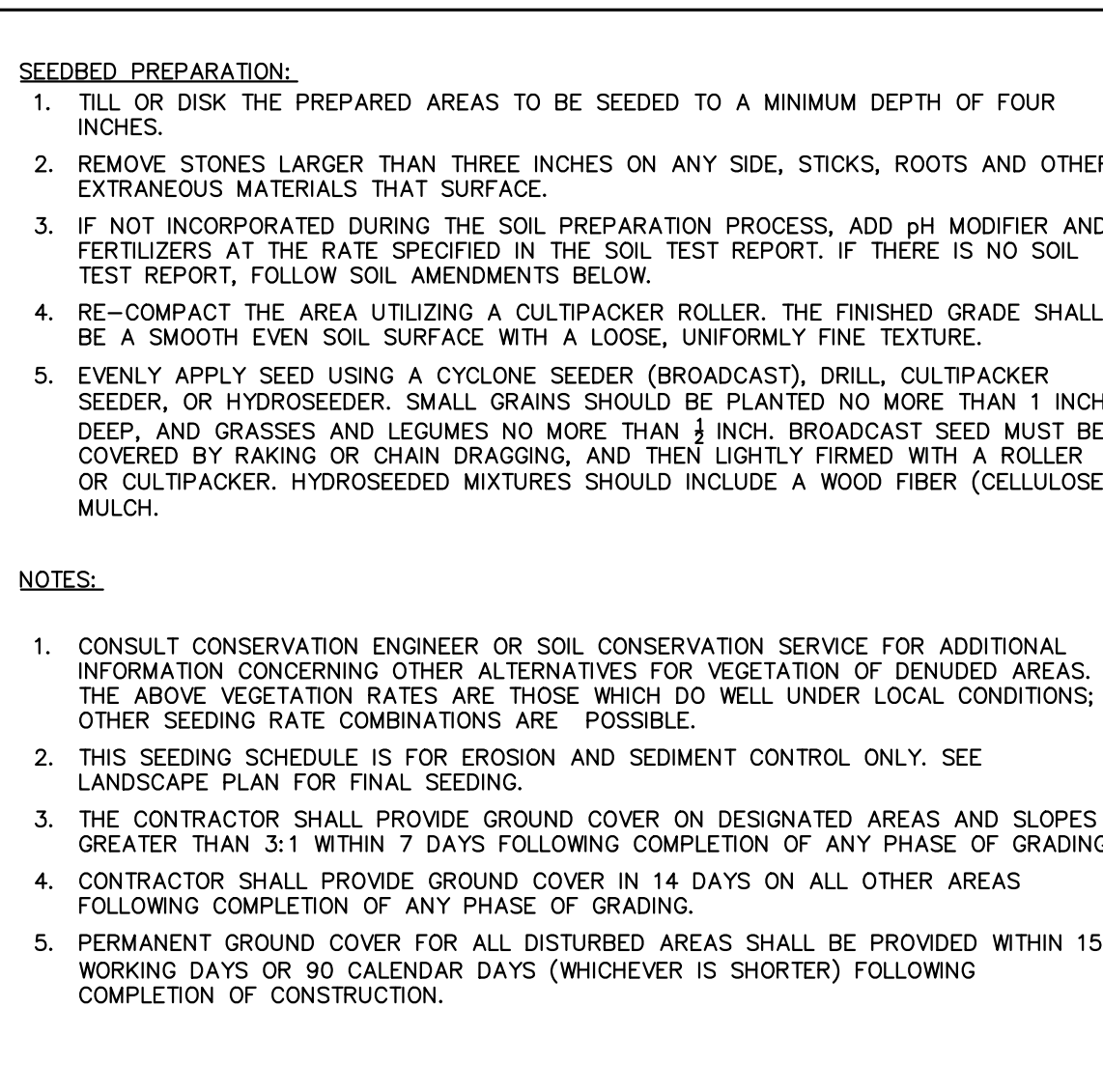
- CONSULT CONSERVATION ENGINEER OR SOIL CONSERVATION SERVICE FOR ADDITIONAL INFORMATION CONCERNING OTHER ALTERNATIVES FOR VEGETATION OF DENUDED AREAS. THE ABOVE VEGETATION RATES ARE THOSE WHICH DO WELL UNDER LOCAL CONDITIONS; OTHER SEEDING RATE COMBINATIONS ARE POSSIBLE.
- THIS SEEDING SCHEDULE IS FOR EROSION AND SEDIMENT CONTROL ONLY. SEE LANDSCAPE PLAN FOR FINAL SEEDING.
- THE CONTRACTOR SHALL PROVIDE GROUND COVER ON DESIGNATED AREAS AND SLOPES GREATER THAN 3:1 WITHIN 7 DAYS FOLLOWING COMPLETION OF ANY PHASE OF GRADING.
- CONTRACTOR SHALL PROVIDE GROUND COVER IN 14 DAYS ON ALL OTHER AREAS FOLLOWING COMPLETION OF ANY PHASE OF GRADING.
- PERMANENT GROUND COVER FOR ALL DISTURBED AREAS SHALL BE PROVIDED WITHIN 15 WORKING DAYS OR 90 CALENDAR DAYS (WHICHEVER IS SHORTER) FOLLOWING COMPLETION OF CONSTRUCTION.



CAPACITY CHART

MODEL NO.	INLET SIZE	LINER DEPTH	STORAGE CAPACITY*	CLEAN FLOW RATE**
FF-2424HC	24" x 24"	12"	1.67 CU. FT.	470 GPM
"	24" x 24"	24"	4.18 CU. FT.	914 GPM
"	24" x 24"	36"	6.69 CU. FT.	1,357 GPM
FF-2436HC	24" x 36"	12"	2.55 CU. FT.	641 GPM
"	24" x 36"	24"	6.38 CU. FT.	1,201 GPM
"	24" x 36"	36"	10.20 CU. FT.	1,761 GPM
FF-3636HC-60	36" x 36"	12"	3.36 CU. FT.	772 GPM
"	36" x 36"	24"	8.39 CU. FT.	1,402 GPM
"	36" x 36"	36"	13.43 CU. FT.	2,032 GPM

* STORAGE CAPACITY REFLECTS MAXIMUM SOLIDS COLLECTION PRIOR TO IMPEDING BYPASS.
 ** FLOW RATES ARE "CALCULATED CLEAN FLOW RATES" BASED ON LINER MATERIAL FLOW RATE OF 70 GPM/SQ. FT. (RECOMMEND APPLYING FACTOR OF .25 TO .50 TO FLOW RATES TO ALLOW FOR SEDIMENT AND DEBRIS)



THE LEARNING CENTER ROLESVILLE EROSION CONTROL DETAILS

PREPARED FOR ROLESVILLE, LLC. NORTH CAROLINA

016485000

10/31/2023

AS SHOWN

JAA

JAA

COB

03/01/2024

01/02/2024

TOWN COMMENTS

TOWN COMMENTS

NO.

NO.

DATE

DATE

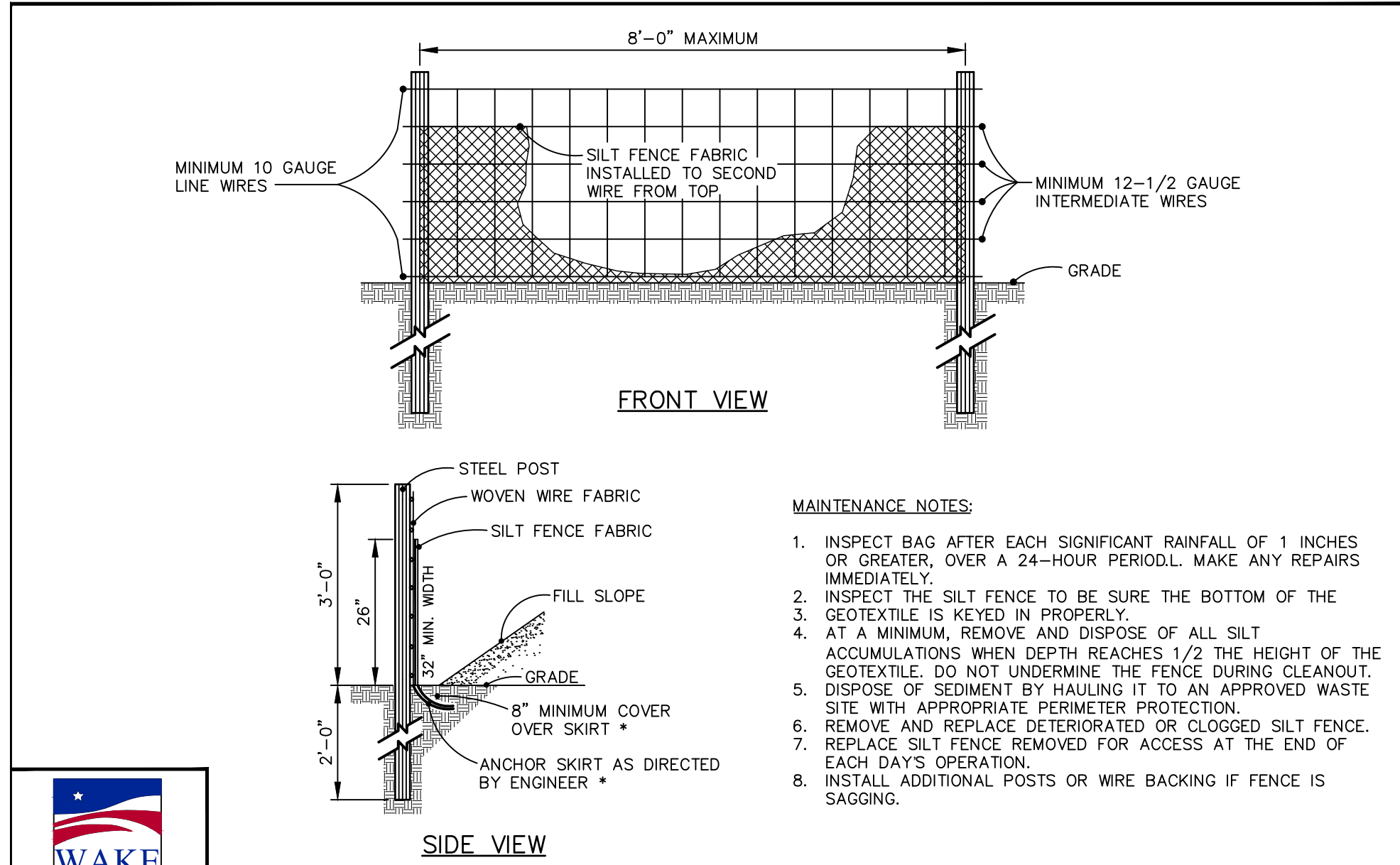
NO.

NO.

SDP-23-07

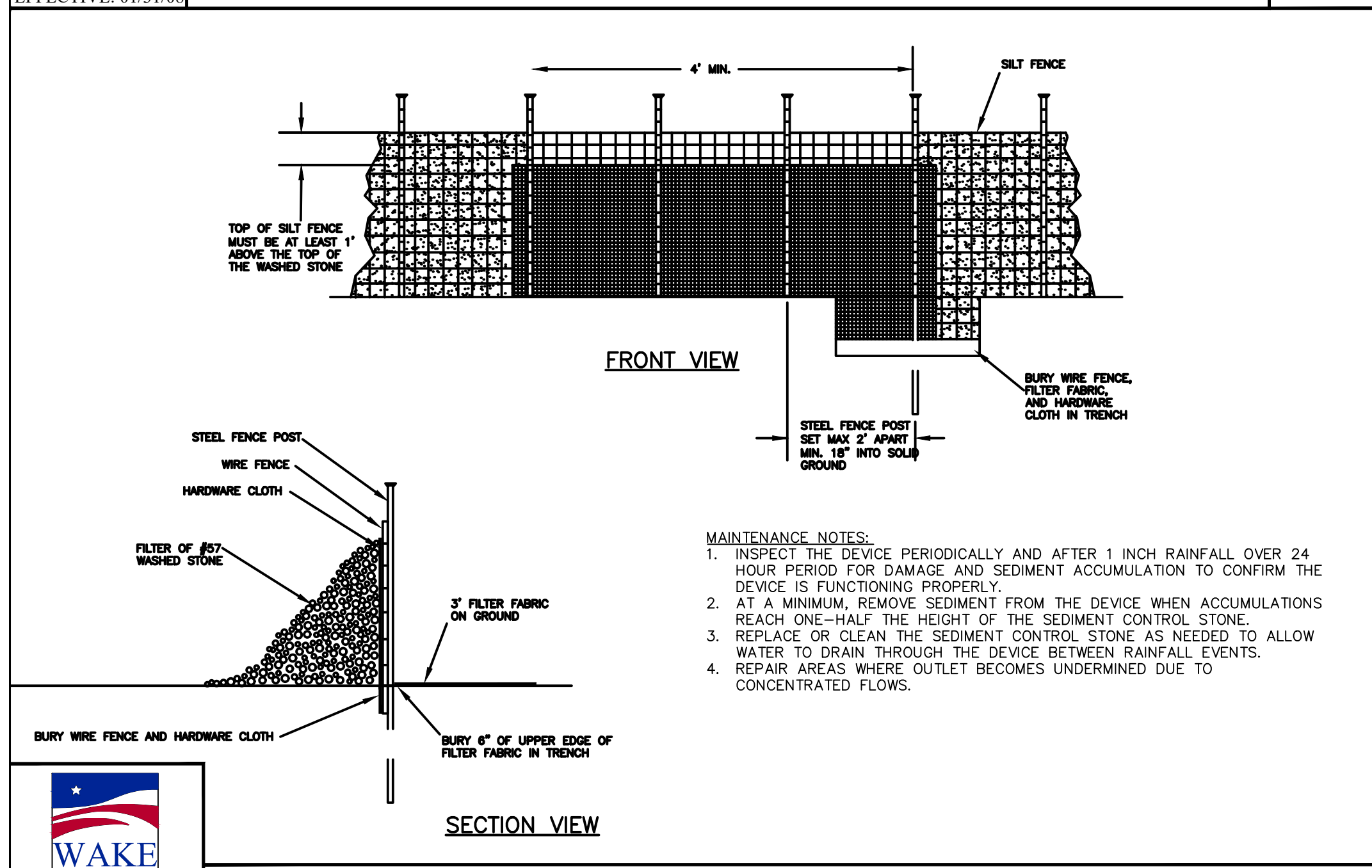
SHEET NUMBER C5.2

Plotted By: Alexander, Jamal Sheet Set: THE LEARNING CENTER ROLESVILLE Layout: C5.3 EROSION CONTROL DETAILS March 01, 2024 05:22:35pm K:\RAL_LDEV\013031004_Rolesville Learning Center\PI.D CAD Files\Plans\Sheets\C5.3 EROSION CONTROL DETAILS.dwg
 This document, together with the concepts and designs presented herein, as an instrument of service, is intended only for the specific purpose and client for which it was prepared. Reuse of and improper reliance on this document without written authorization and adaptation by Kimley-Horn and Associates, Inc. shall be without liability to Kimley-Horn and Associates, Inc.



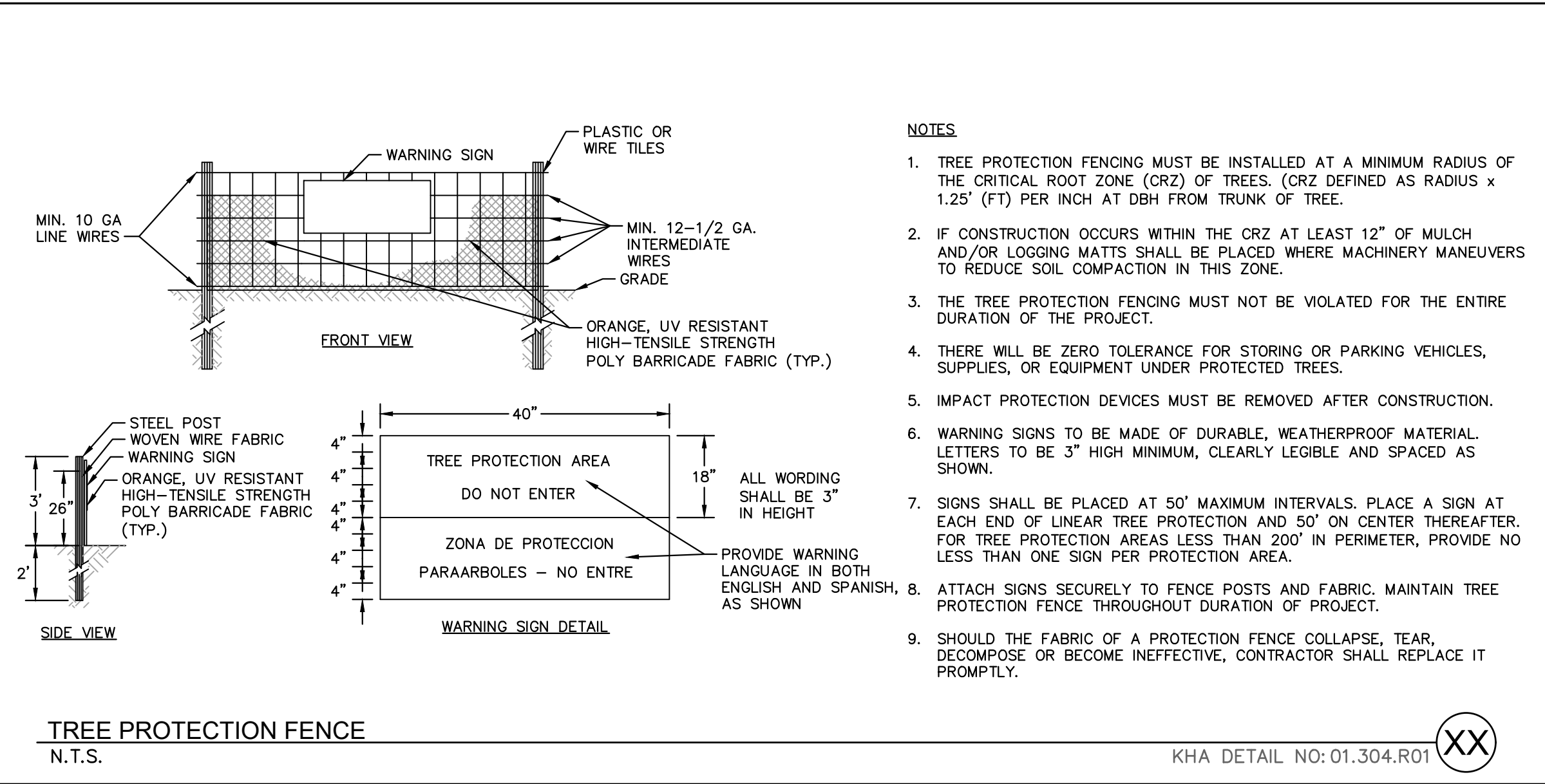
STANDARD TEMPORARY SILT FENCE

EFFECTIVE: 01/31/08



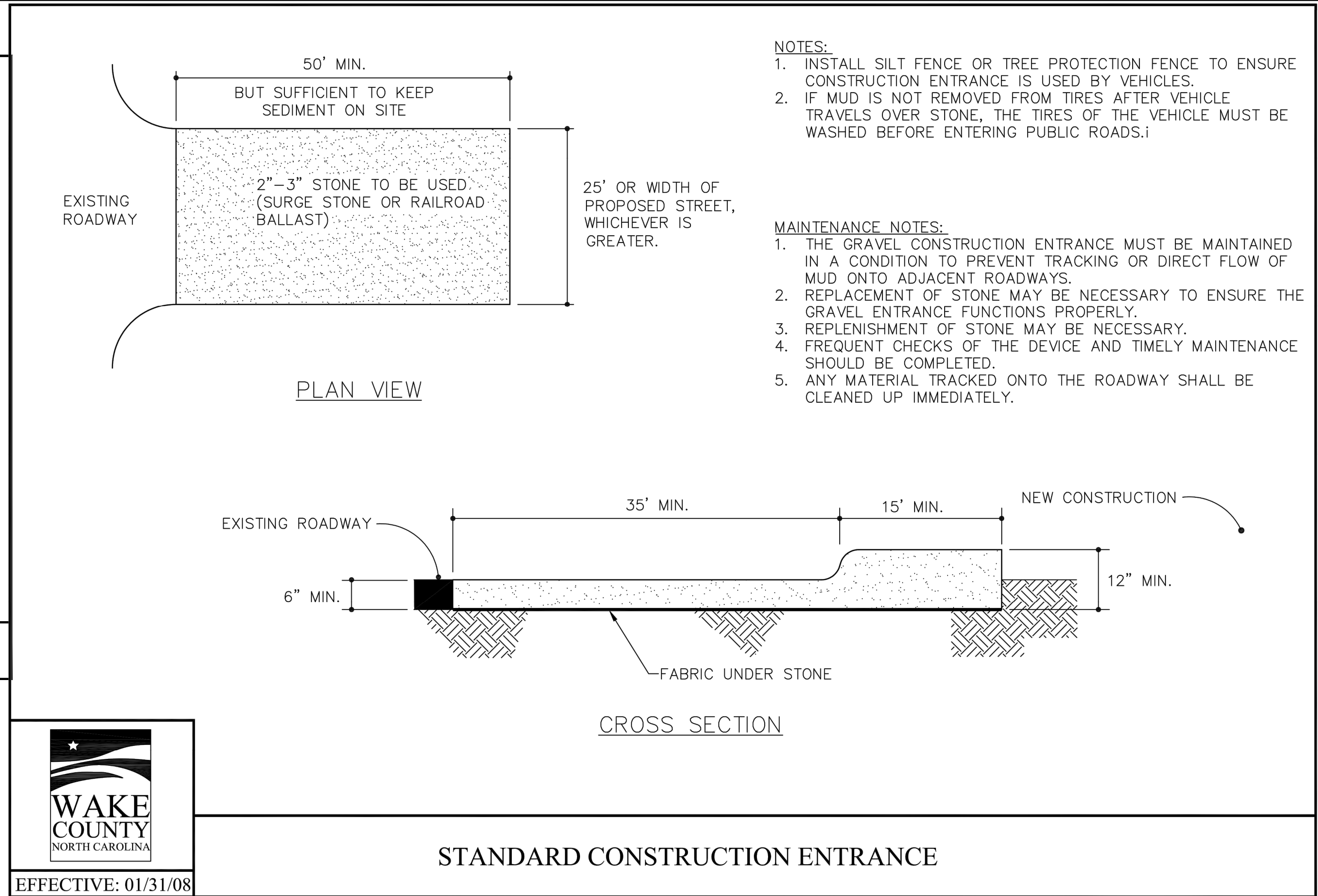
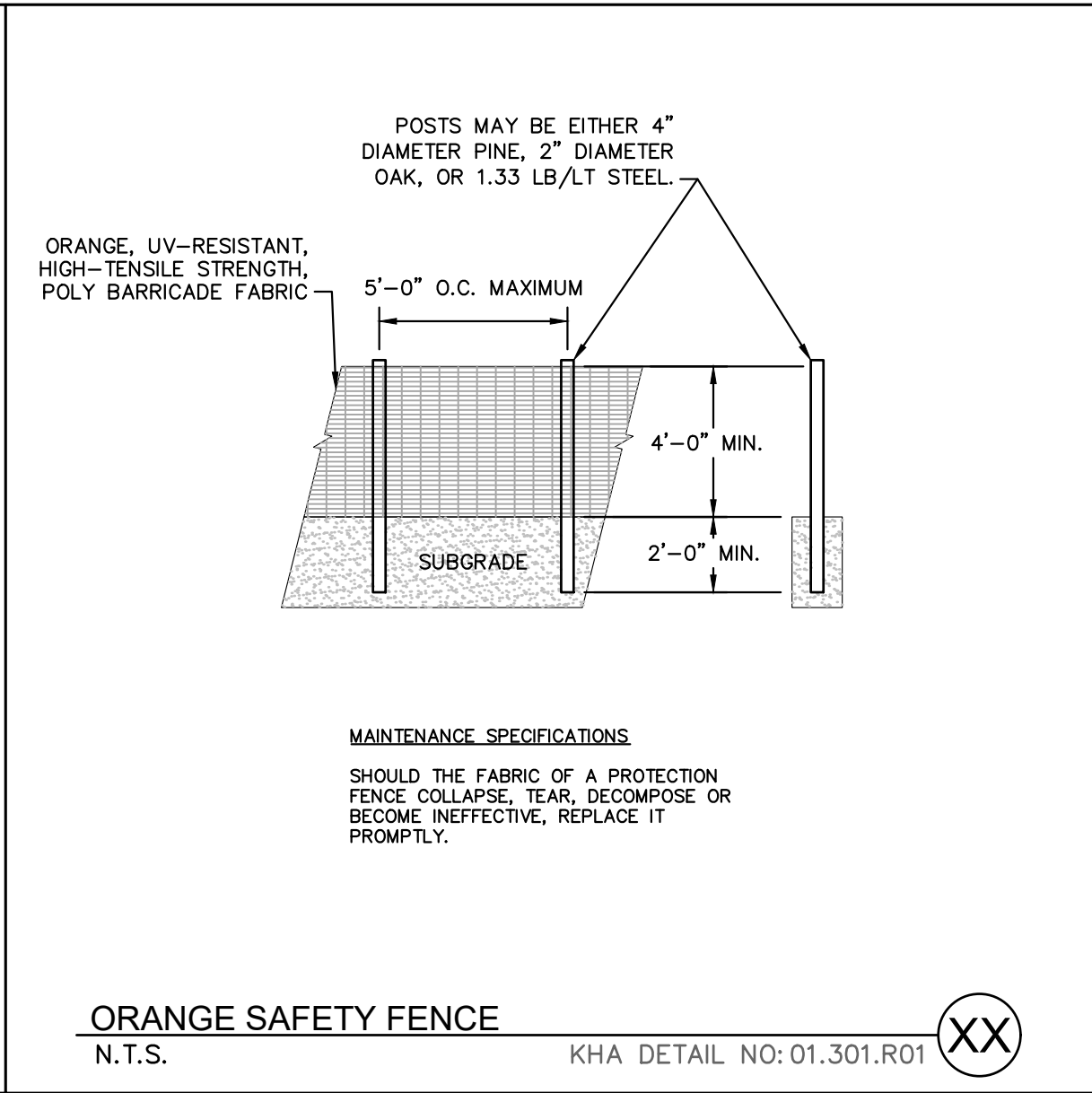
STANDARD SILT FENCE OUTLET

EFFECTIVE: 01/31/08



TREE PROTECTION FENCE
 N.T.S.

KHA DETAIL NO: 01.304.R01 XX



STANDARD CONSTRUCTION ENTRANCE

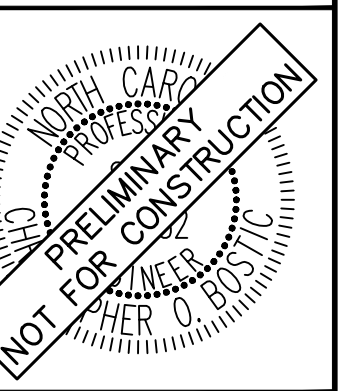
EFFECTIVE: 01/31/08

SURVEY NOTE:
 EXISTING TOPOGRAPHICAL INFORMATION IS BASED ON A TOPOGRAPHIC SURVEY OBTAINED ON 02/23/2023 BY CMP PROFESSIONAL LAND SURVEYORS, 333 S. WHITE STREET, WAKE FOREST, NC, 27888. PHONE: (919) 556-3148. CONTRACTOR SHALL BE RESPONSIBLE FOR VERIFYING ALL EXISTING INFORMATION. DEPICTED OR NOT, PRIOR TO CONSTRUCTION AND REPORT POTENTIAL CONFLICTS TO OWNER AND ENGINEER.

No.	REVISIONS	DATE
7		
6		
5		
4		
3		
2		
1		

Kimley»Horn

© 2023 KIMLEY-HORN AND ASSOCIATES, INC.
 #F-0102 WWW.KIMLEY-HORN.COM PHONE: 919.677.2000 FAX: 919.677.2050
 421 FAYETTEVILLE STREET, SUITE 800, RALEIGH, NC 27601



KHA PROJECT	016485000
DATE	10/31/2023
SCALE	AS SHOWN
DESIGNED BY	JAA
DRAWN BY	JAA
CHECKED BY	COB

THE LEARNING CENTER ROLESVILLE EROSION CONTROL DETAILS

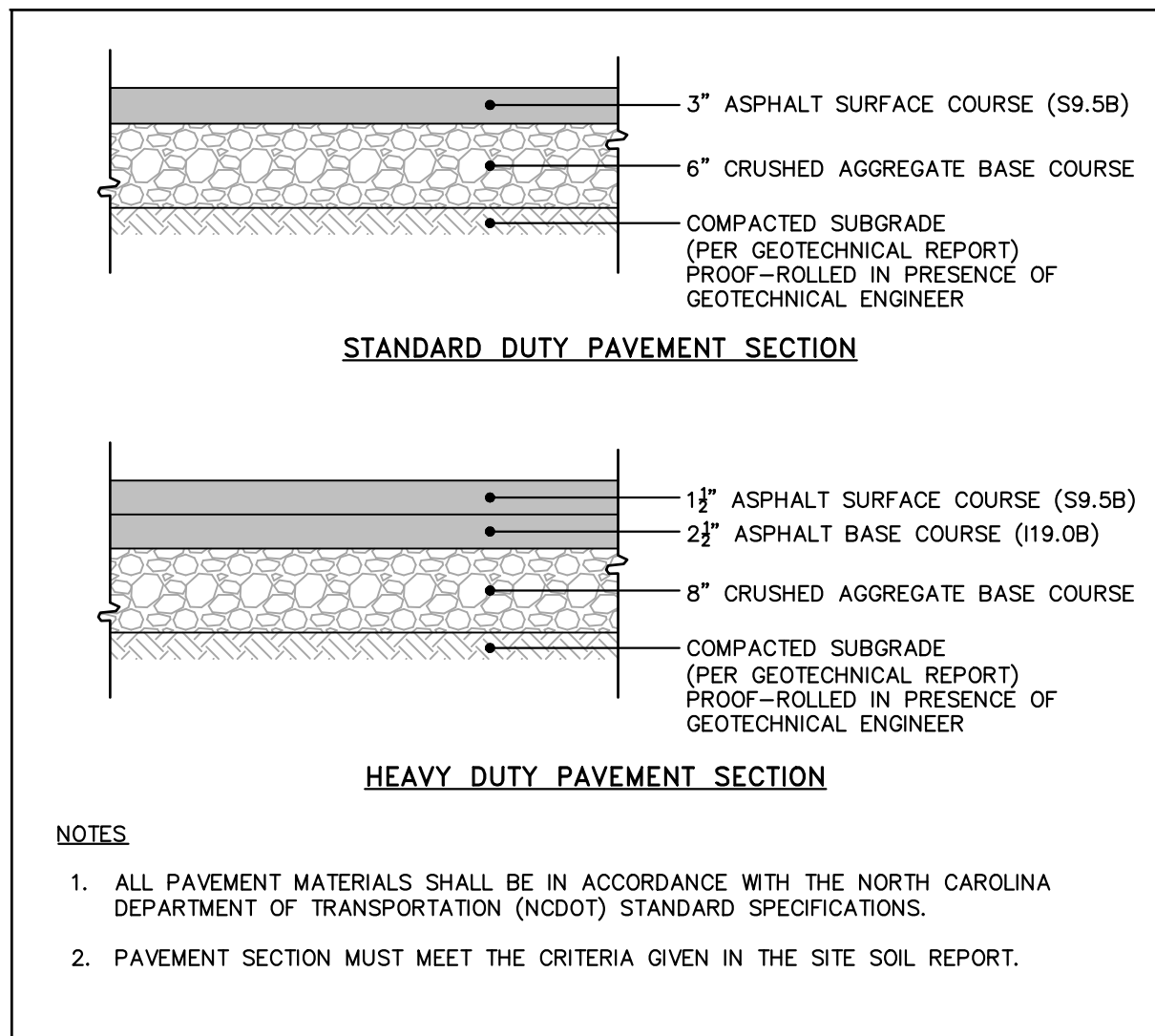
THE LEARNING CENTER ROLESVILLE
 PREPARED FOR
ROLESVILLE, LLC.
 TOWN OF ROLESVILLE
 NORTH CAROLINA

SHEET NUMBER
C5.3

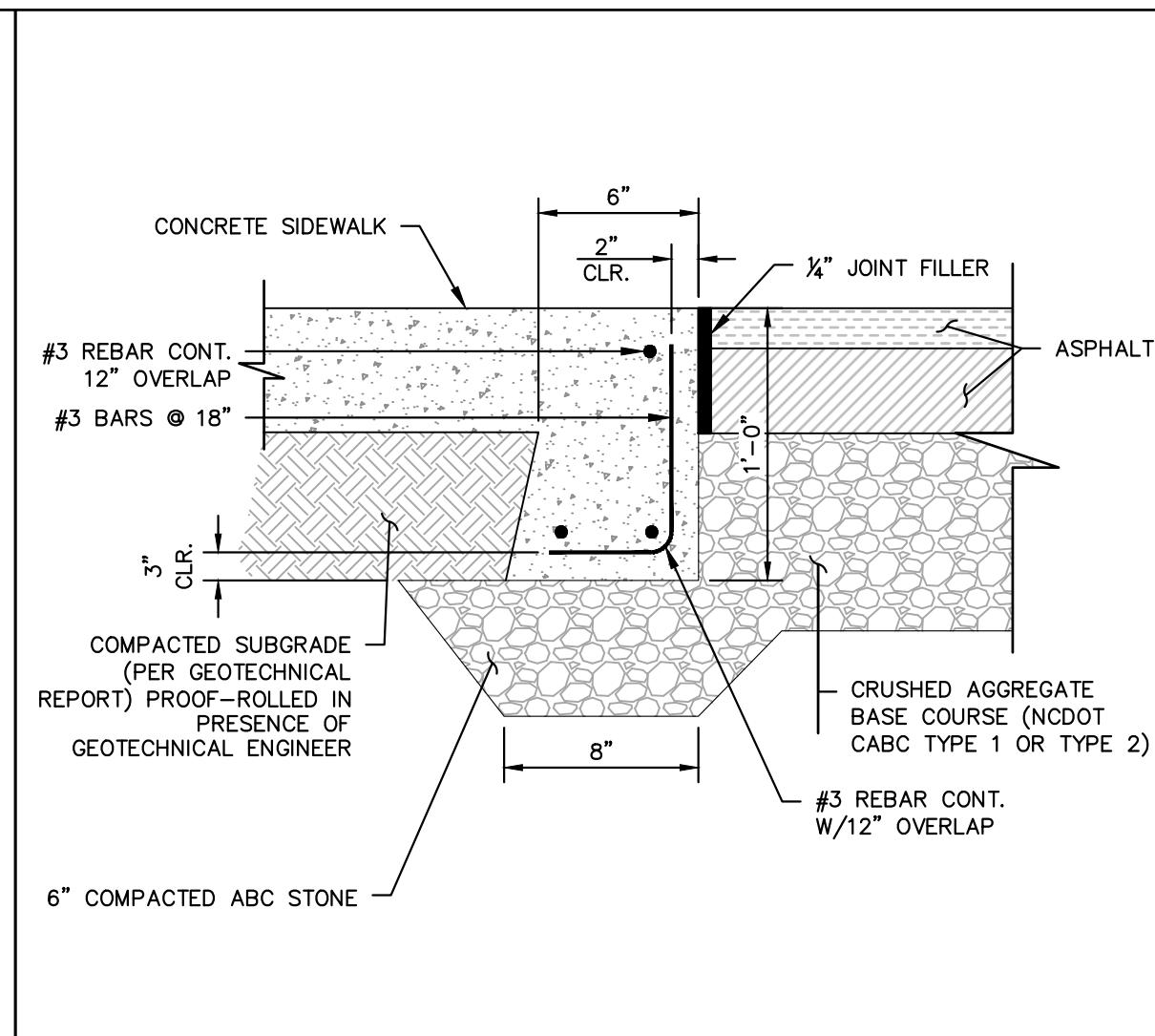


SDP-23-07

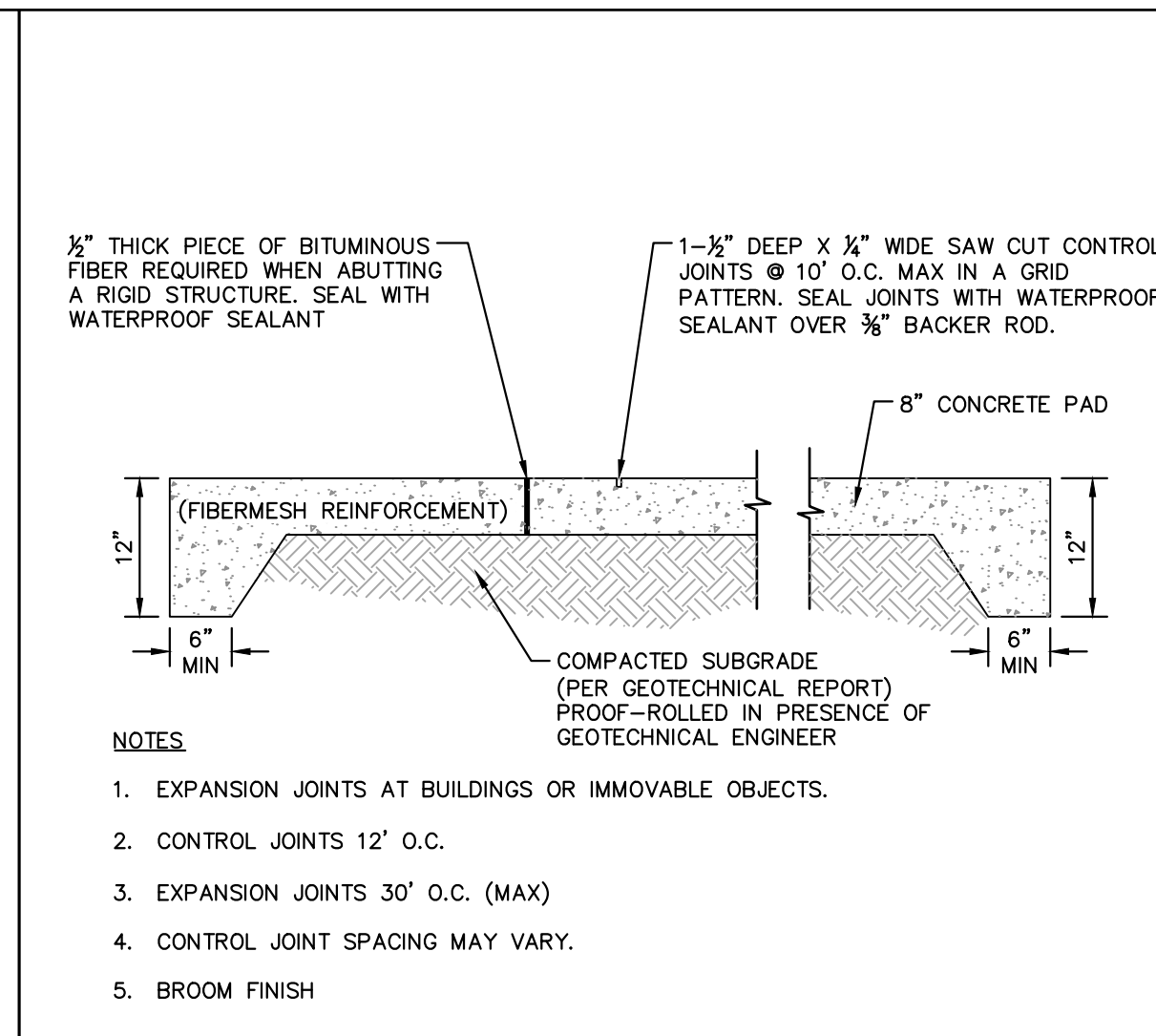
Plotted By: Alexander, Jamal Sheet Set: THE LEARNING CENTER ROLESVILLE, Layout: C8.0 SITE DETAILS, March 01, 2024, 05:22:40pm, K:\BIAL_LDE\013031004_Rolesville, Learning_Center\PI0_CAD Files\Site\Sheets\C8.4 SITE DETAILS.dwg
 This document, together with the concepts and designs presented herein, is an instrument of service, as an instrument of service, is intended only for the specific purpose and client for which it was prepared. Reuse of and improper reliance on this document without written authorization and adaptation by Kimley-Horn and Associates, Inc. shall be without liability to Kimley-Horn and Associates, Inc.



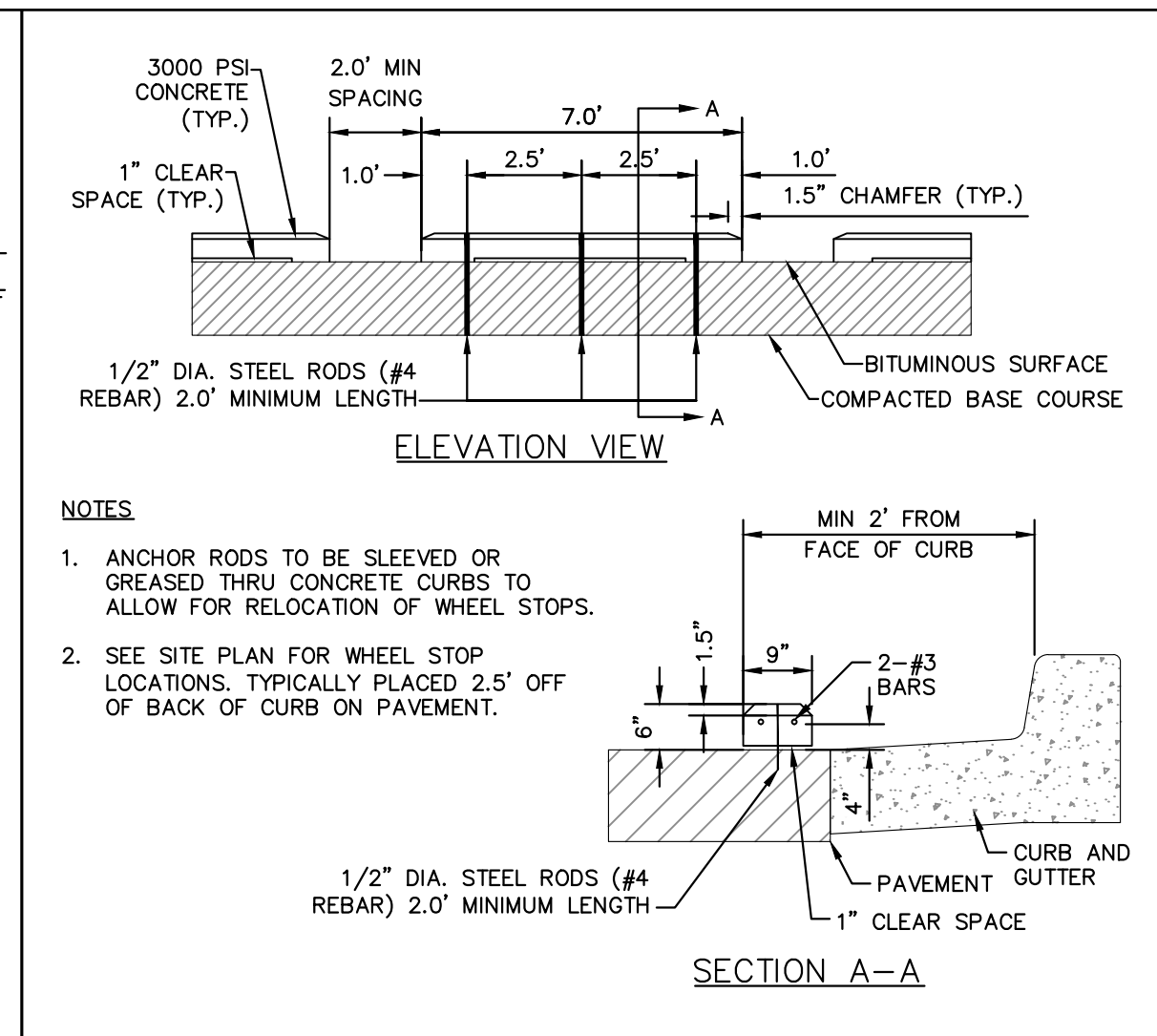
ASPHALT PAVEMENT SECTIONS
N.T.S. KHA DETAIL NO: 02.101.R02 (XX)



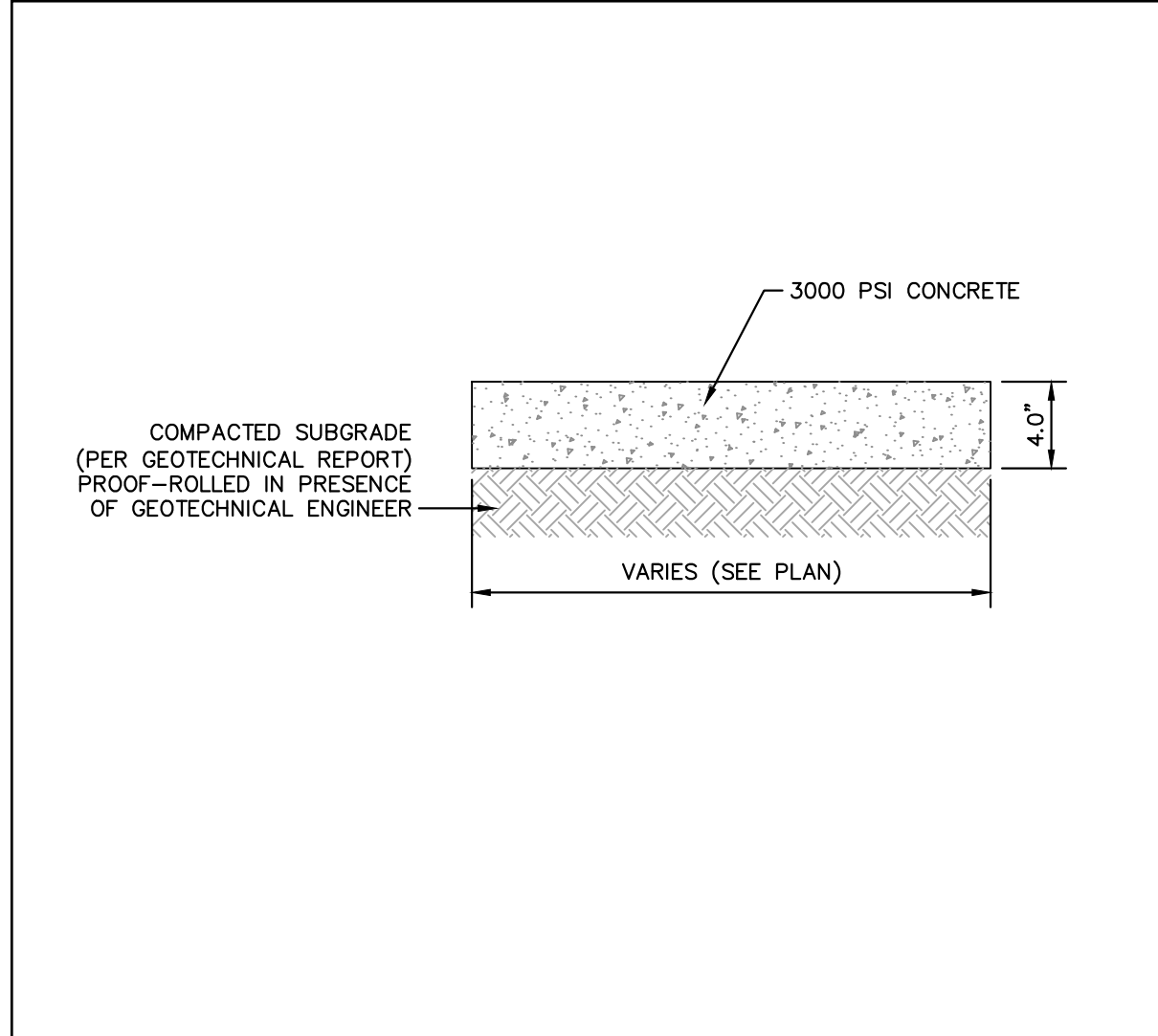
FLUSH CONCRETE SIDEWALK
N.T.S. KHA DETAIL NO: 02.104.R02 (XX)



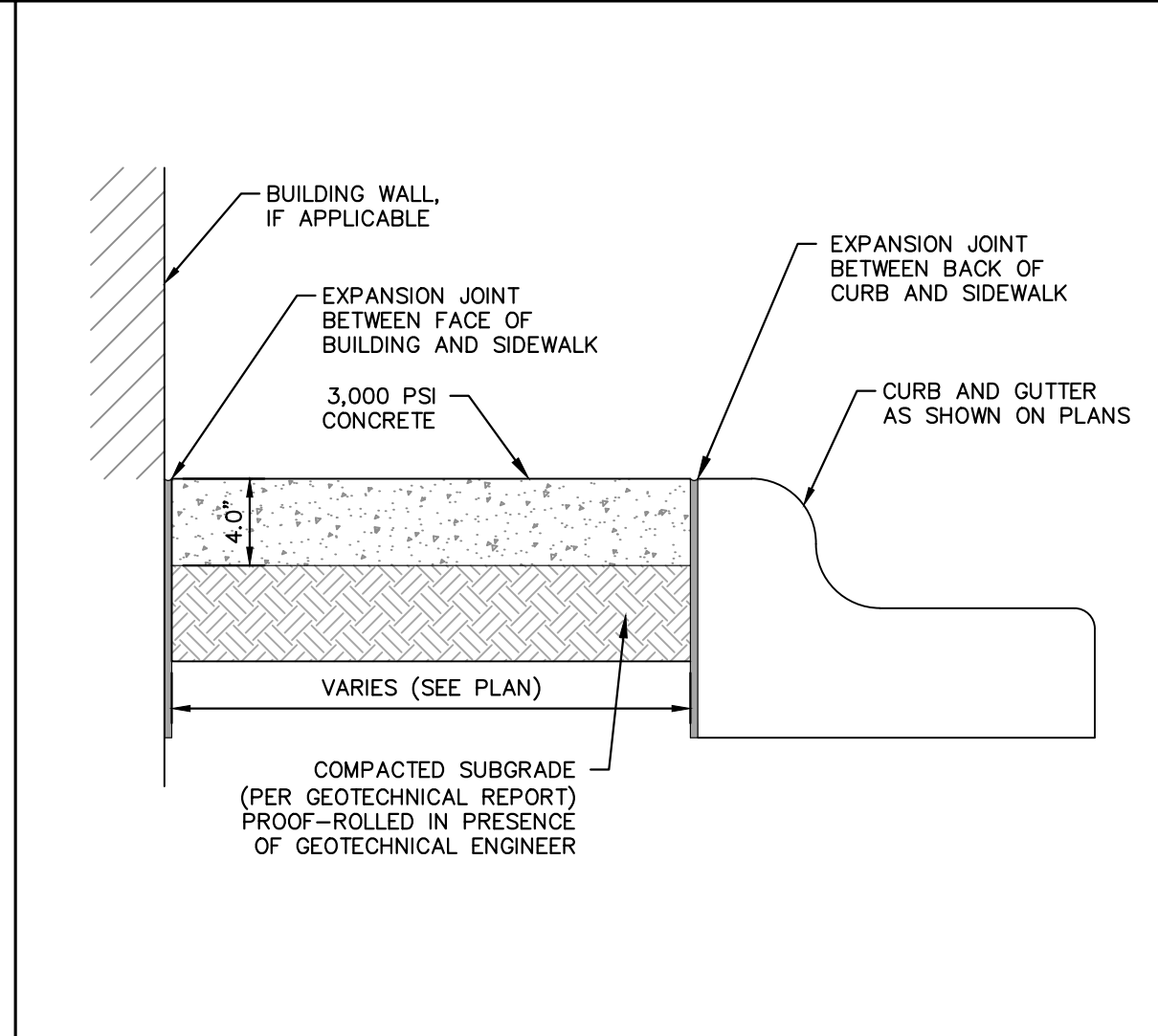
CONCRETE APRON AND DUMPSTER PAD
N.T.S. KHA DETAIL NO: 02.107.R01 (XX)



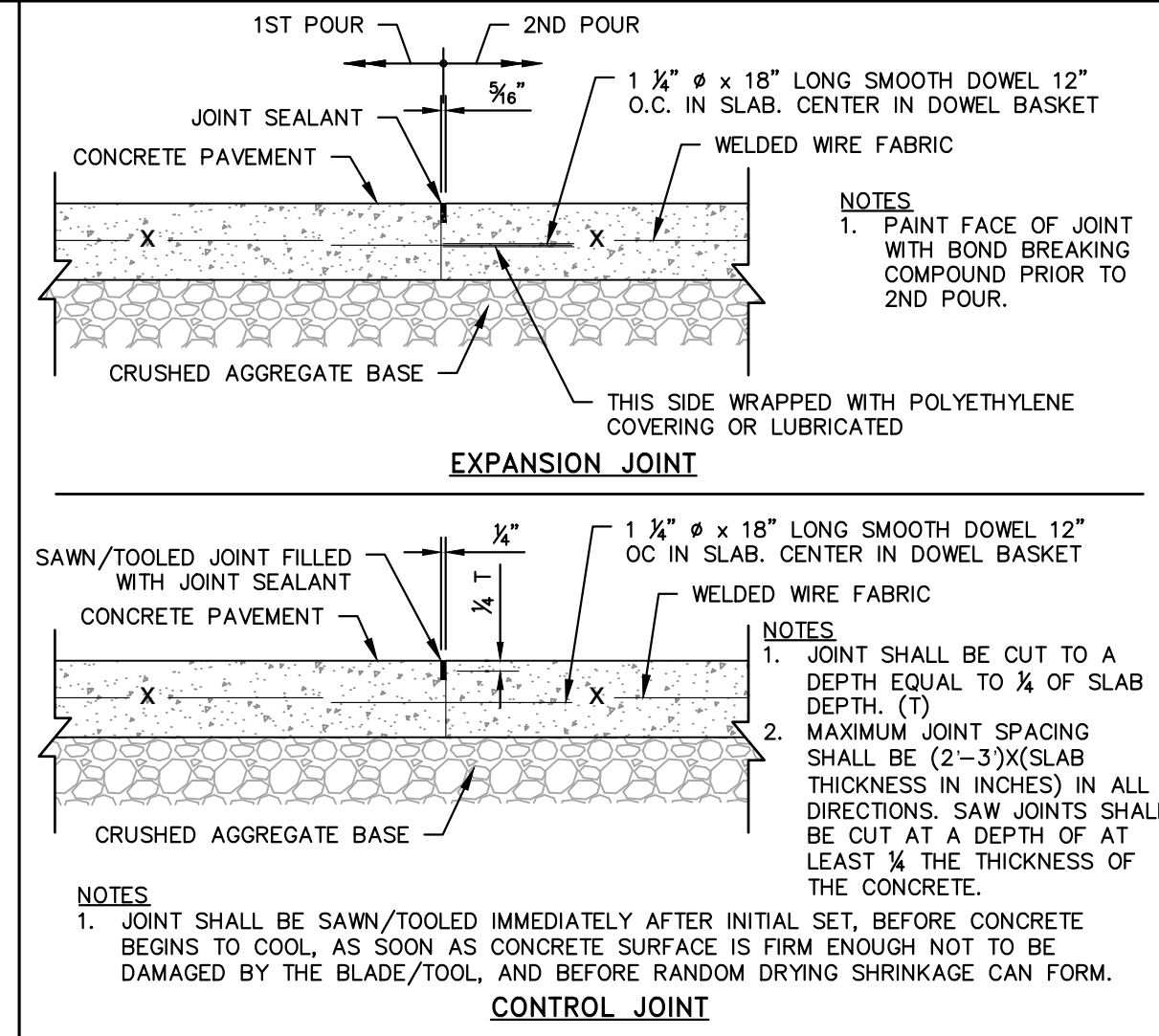
WHEEL STOP
N.T.S. KHA DETAIL NO: 02.111.R02 (XX)



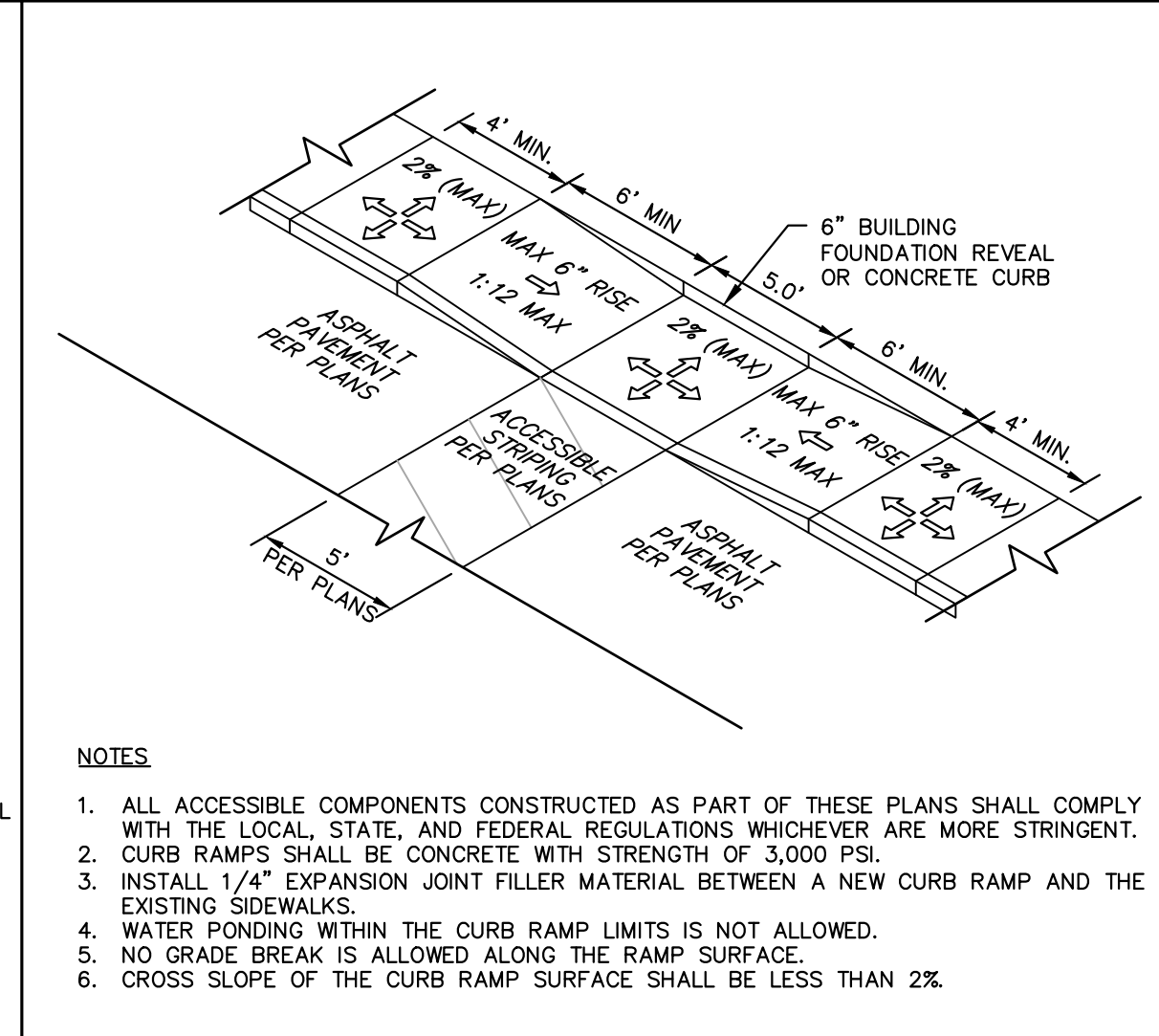
SIDEWALK SECTION
N.T.S. KHA DETAIL NO: 02.102.R01 (XX)



SIDEWALK ADJACENT TO PARKING AREAS
N.T.S. KHA DETAIL NO: 02.105.R02 (XX)

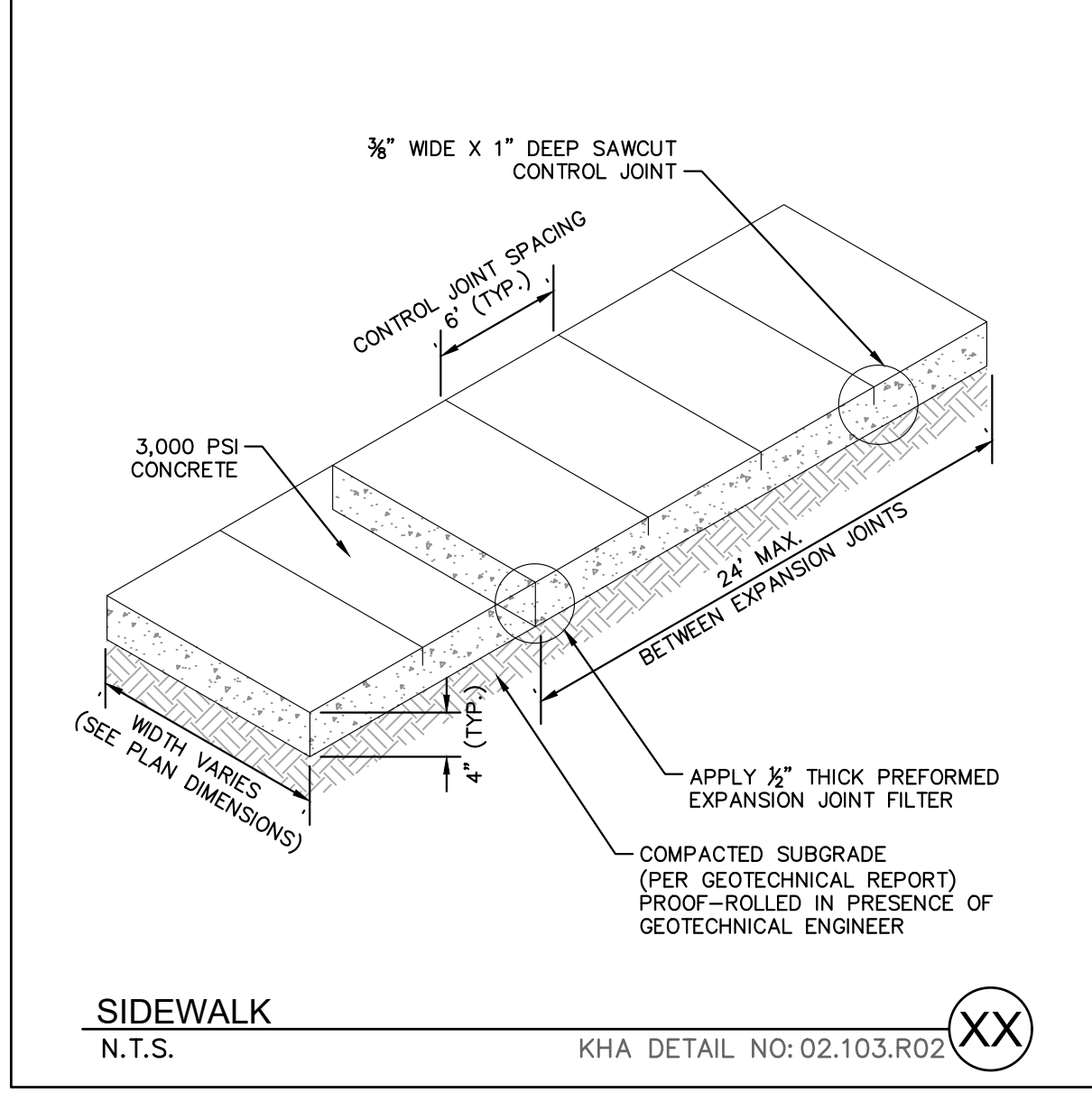


HEAVY DUTY CONTROL AND EXPANSION JOINTS
N.T.S. KHA DETAIL NO: 02.108.R02 (XX)

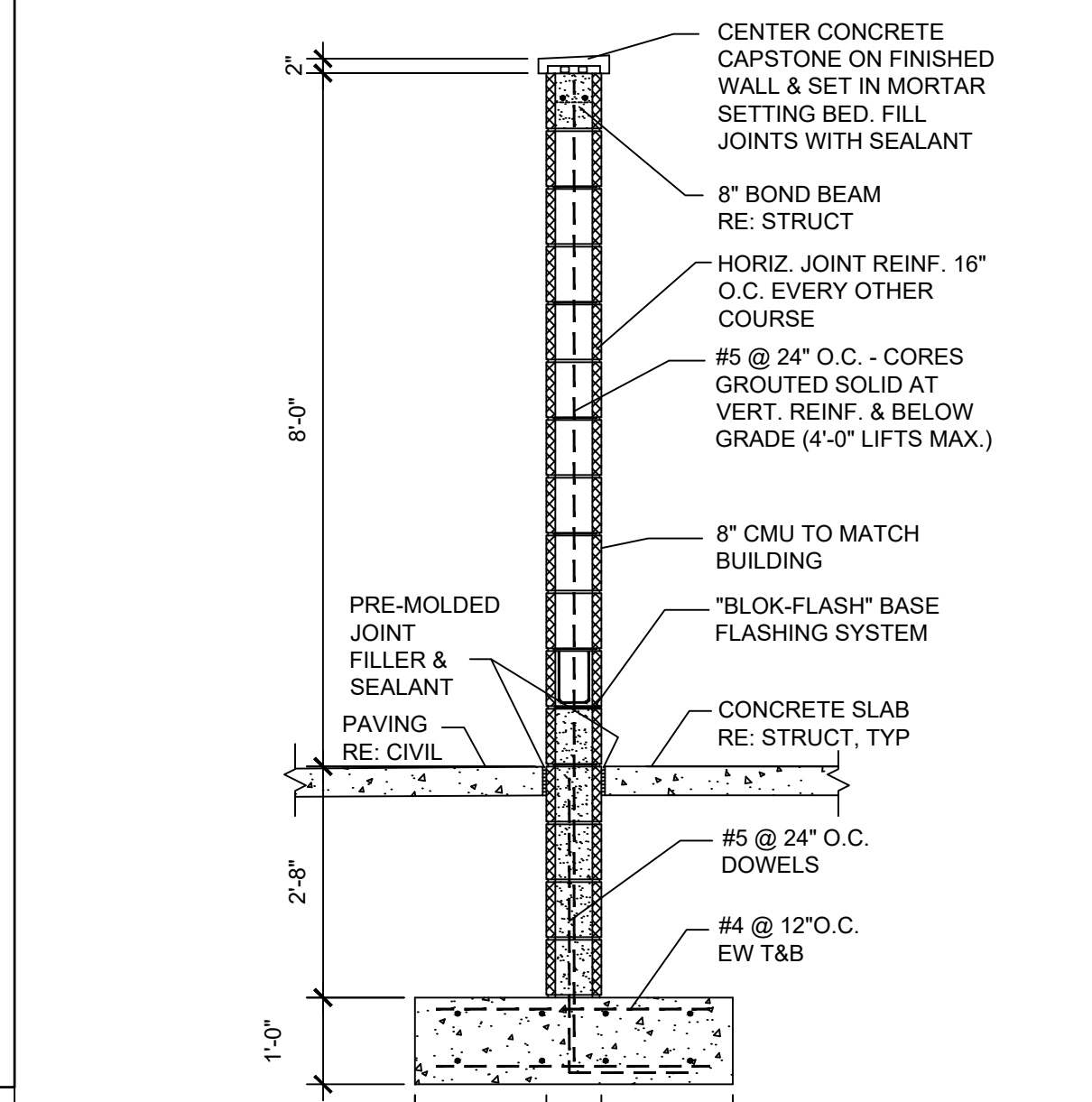


DEPRESSED CURB RAMP
N.T.S. KHA DETAIL NO: 02.109.R02 (XX)

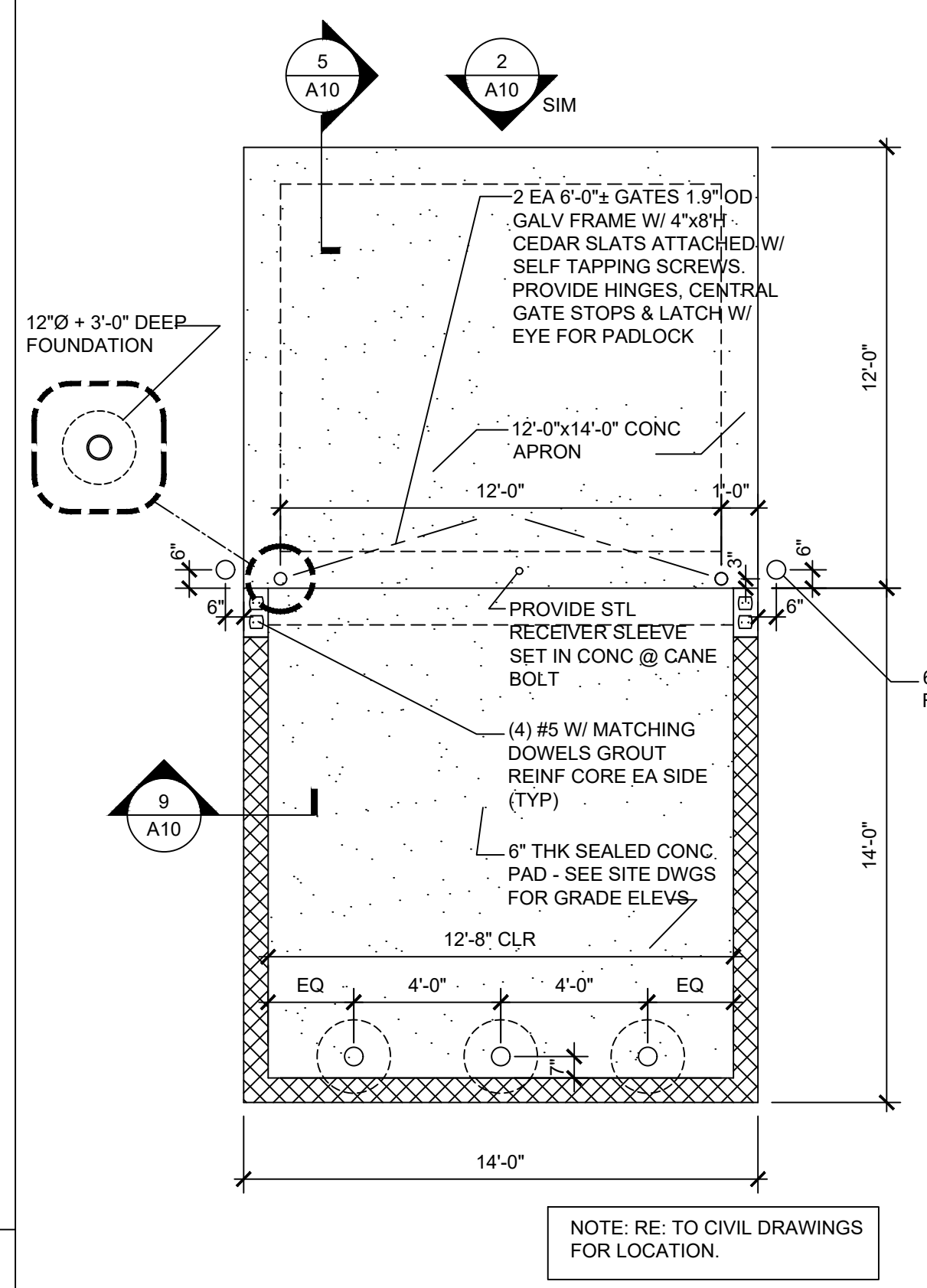
#5 Provide NCDOT 2024 curb ramp details via section 848.05/06



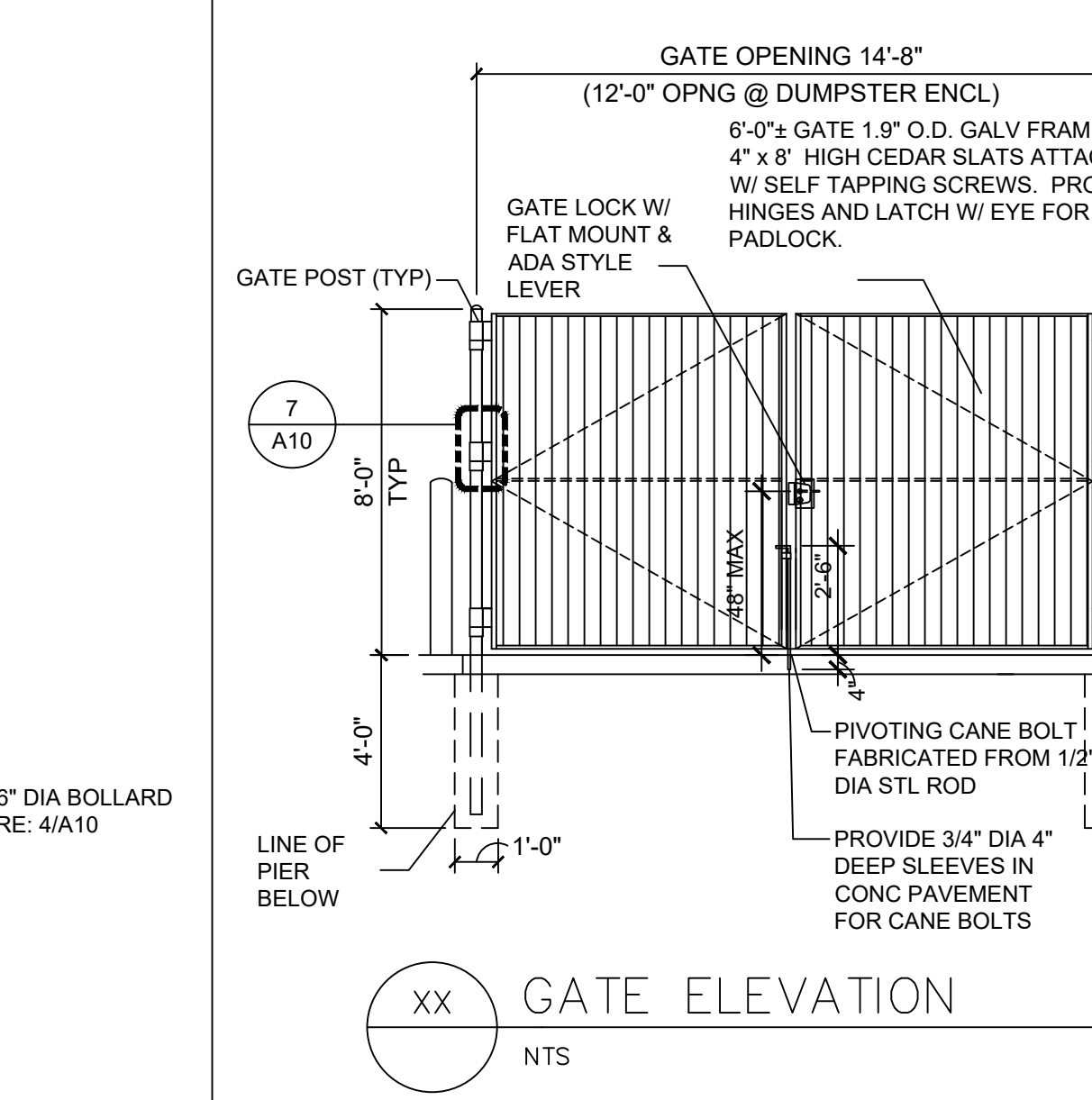
SIDEWALK
N.T.S. KHA DETAIL NO: 02.103.R02 (XX)



ENCLOSURE SECTION
N.T.S.



DUMPSTER ENCLOSURE PLAN
N.T.S.



GATE ELEVATION
N.T.S.

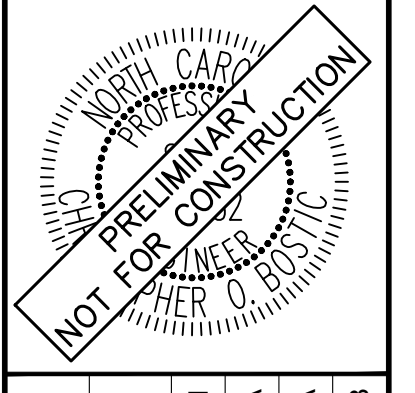
SURVEY NOTE:
EXISTING TOPOGRAPHICAL INFORMATION IS BASED ON A TOPOGRAPHIC SURVEY OBTAINED ON 02/23/2023 BY CMP PROFESSIONAL LAND SURVEYORS, 333 S. WHITE STREET, WAKE FOREST, NC, 27988. PHONE: (919) 556-3148. CONTRACTOR SHALL BE RESPONSIBLE FOR VERIFYING ALL EXISTING INFORMATION. DEPICTED OR NOT, PRIOR TO CONSTRUCTION AND REPORT POTENTIAL CONFLICTS TO OWNER AND ENGINEER.



NO.	REVISIONS	DATE	BY
1			
2			
3			
4			
5			
6			
7			

Kimley Horn

© 2023 KIMLEY-HORN AND ASSOCIATES, INC.
 #102 WWW.KIMLEY-HORN.COM PHONE: 919.677.2000 FAX: 919.677.2050
 421 FAYETTEVILLE STREET, SUITE 600, RALEIGH, NC 27601

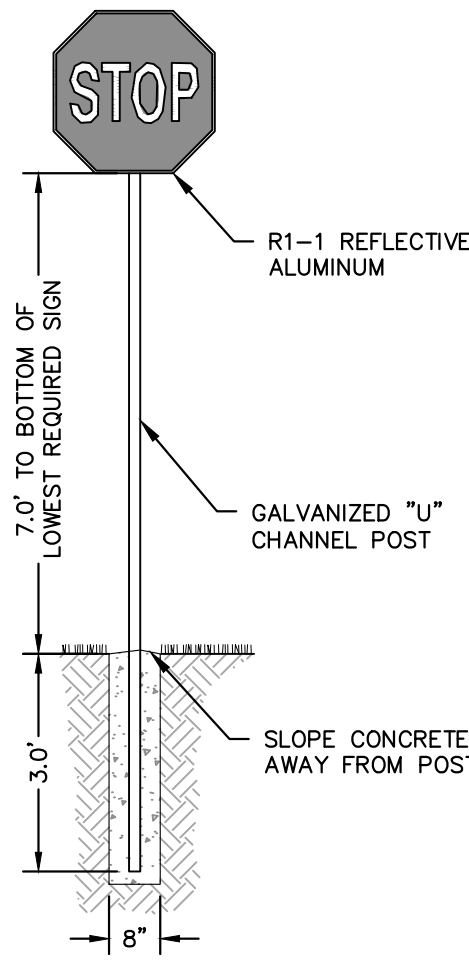


KHA PROJECT	016485000
DATE	10/31/2023
SCALE	AS SHOWN
DESIGNED BY	JAA
DRAWN BY	JAA
CHECKED BY	COE

SITE DETAILS

THE LEARNING CENTER ROLESVILLE
 PREPARED FOR
ROLESVILLE, LLC.
 TOWN OF ROLESVILLE
 NORTH CAROLINA

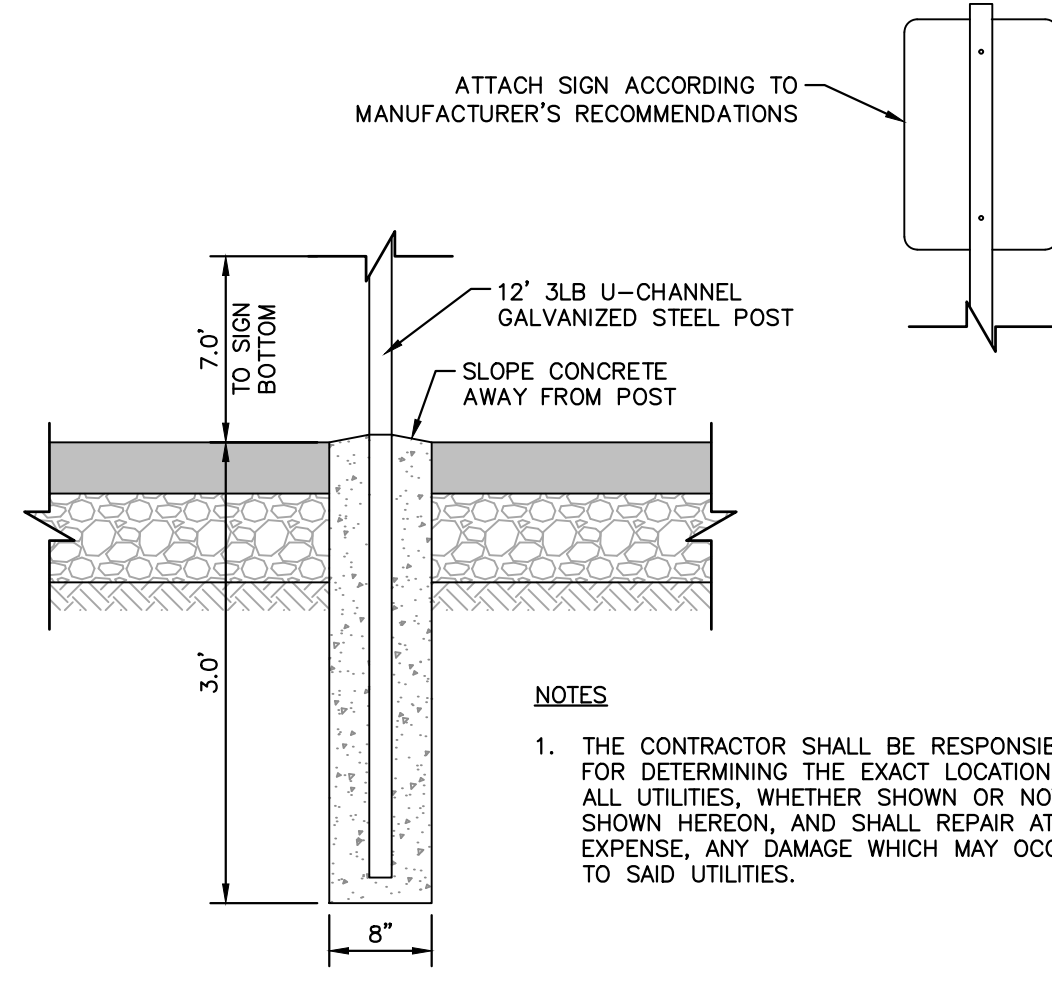
Plotted By: Alexander, Jamal Sheet Set: THE LEARNING CENTER ROLESVILLE, Layout: C8.1 SITE DETAILS, March 01, 2024, 05:22:41pm, K:\B\AL_L\DE\013051004_Rolesville, Learning_Center\PI0_CAD Files\Site\Sheets\C8.1 SITE DETAILS.dwg
 This document, together with the concepts and designs presented herein, is an instrument of service, is intended only for the specific purpose and client for which it was prepared. Reuse of and improper reliance on this document without written authorization and adaptation by Kimley-Horn and Associates, Inc. shall be without liability to Kimley-Horn and Associates, Inc.



NOTES

1. THE CONTRACTOR SHALL BE RESPONSIBLE FOR DETERMINING THE EXACT LOCATION OF ALL UTILITIES, WHETHER SHOWN OR NOT SHOWN HEREON, AND SHALL REPAIR AT HIS EXPENSE, ANY DAMAGE WHICH MAY OCCUR TO SAID UTILITIES.

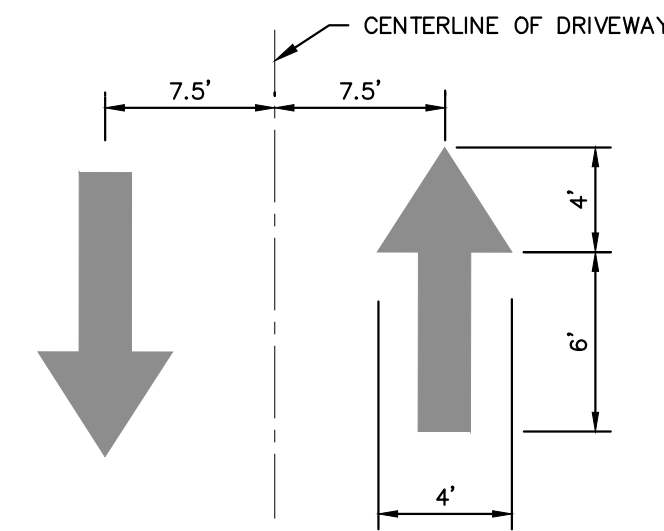
STOP SIGN
N.T.S. KHA DETAIL NO: 02.301.R01 XX



NOTES

1. THE CONTRACTOR SHALL BE RESPONSIBLE FOR DETERMINING THE EXACT LOCATION OF ALL UTILITIES, WHETHER SHOWN OR NOT SHOWN HEREON, AND SHALL REPAIR AT HIS EXPENSE, ANY DAMAGE WHICH MAY OCCUR TO SAID UTILITIES.

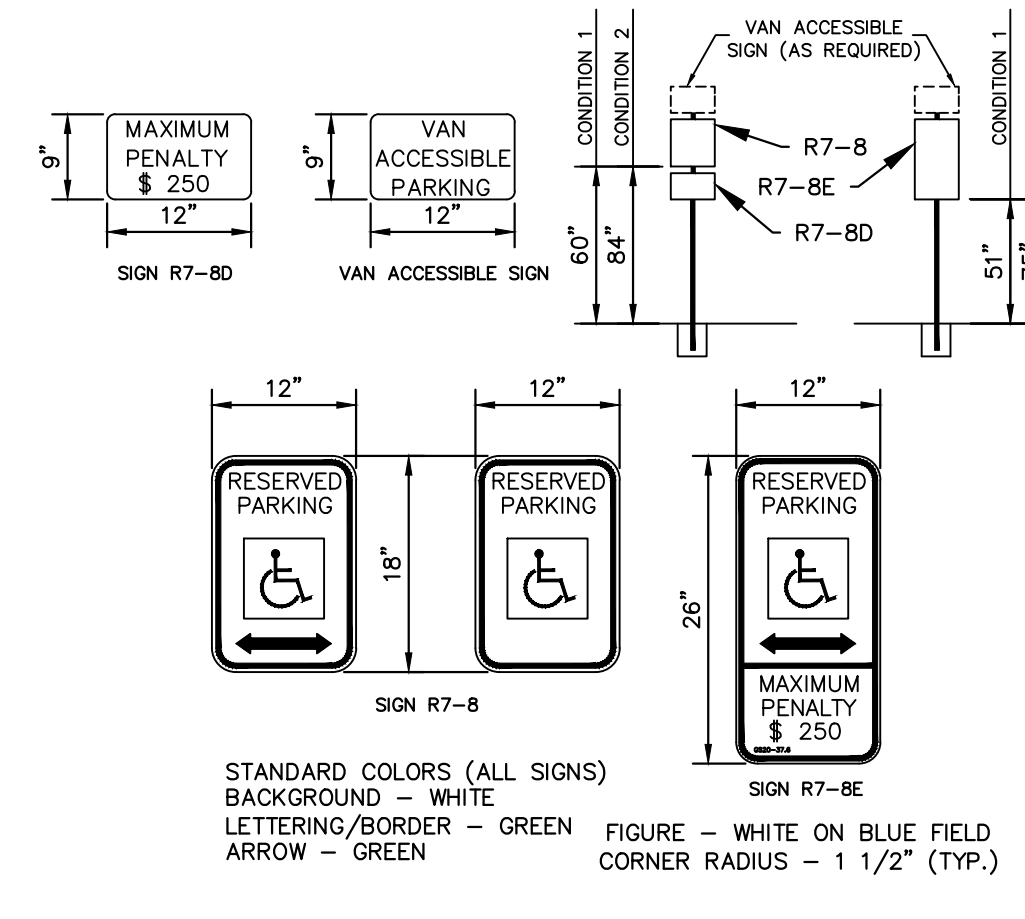
SIGN POST
N.T.S. KHA DETAIL NO: 02.304.R02 XX



NOTES

1. ALL PAVEMENT DIRECTIONAL ARROWS TO BE REFLECTIVE WHITE PAINT

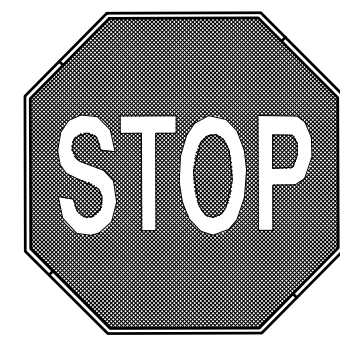
PAVEMENT DIRECTIONAL ARROW
N.T.S. KHA DETAIL NO: 02.306.R01 XX



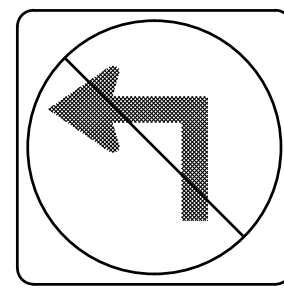
NOTES

- STANDARD COLORS (ALL SIGNS)
BACKGROUND - WHITE
LETTERING/BORDER - GREEN
ARROW - GREEN
- FIGURE - WHITE ON BLUE FIELD
CORNER RADIUS - 1 1/2" (TYP.)

ACCESSIBLE SIGN
N.T.S. KHA DETAIL NO: 02.308.R01 XX

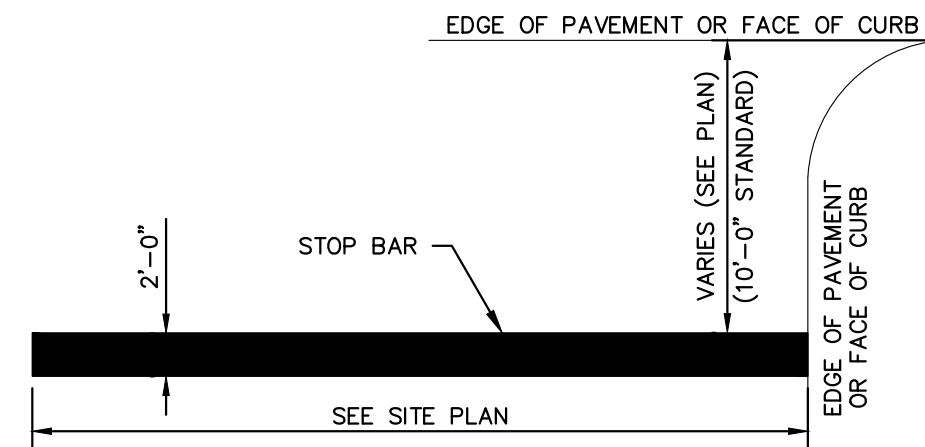


R1-1
30"x30"
MUTCD R1-1 STOP SIGN



R3-2
24"x24"
MUTCD R3-2 NO LEFT TURN SIGN

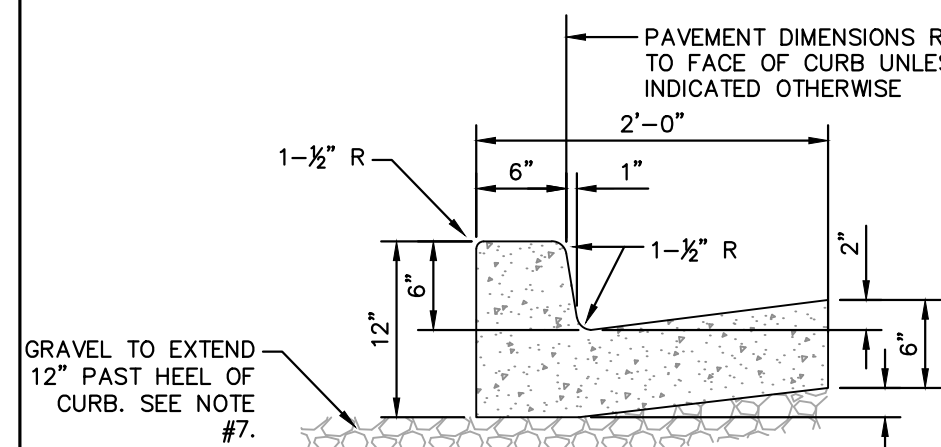
MUTCD STOP & NO LEFT TURN SIGNS
N.T.S. KHA DETAIL NO: 02.302.R01 XX



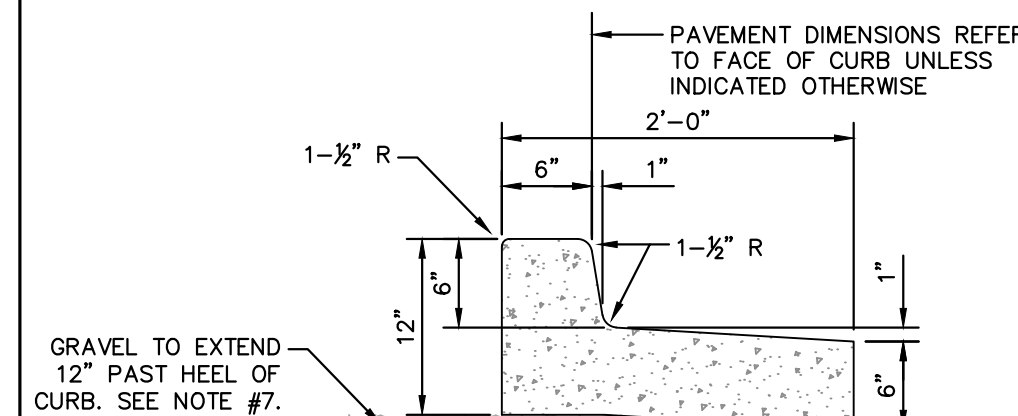
NOTES

1. ALL STOP BARS TO HAVE 2 COATS REFLECTIVE WHITE PAINT.

STOP BAR MARKING
N.T.S. KHA DETAIL NO: 02.307.R01 XX



CATCHING CURB AND GUTTER



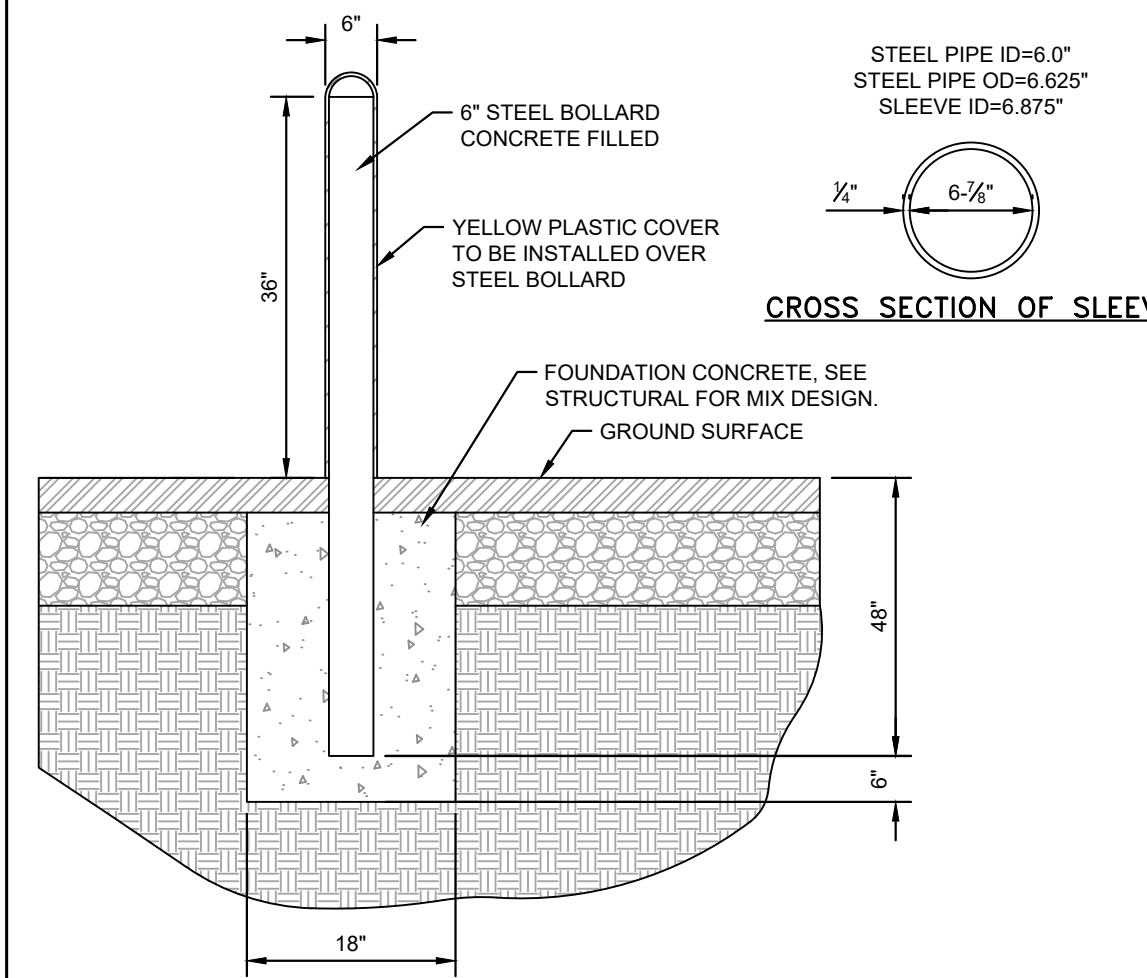
DRY CURB AND GUTTER

- NOTE:**
INSTALL SPILL CURB IN AREAS WHERE PAVEMENT SLOPES AWAY FROM CURB.

CURB AND GUTTER NOTES

1. CONTRACTION JOINTS SHALL BE SPACED AT 10-FOOT INTERVALS. JOINT SPACING MAY BE ALTERED BY THE ENGINEER TO PREVENT UNCONTROLLED CRACKING.
2. CONTRACTION JOINTS MAY BE INSTALLED BY THE USE OF TEMPLATES OR FORMED BY OTHER APPROVED METHODS. WHERE SUCH JOINTS ARE NOT FORMED BY TEMPLATES, A MINIMUM DEPTH OF 1 1/2" SHALL BE OBTAINED.
3. ALL EXPANSION JOINTS SHALL BE SPACED AT 90 FOOT INTERVALS, AND ADJACENT TO ALL RIGID OBJECTS. JOINTS SHALL MATCH LOCATIONS WITH JOINTS IN ABUTTING SIDEWALK.
4. CONCRETE COMPRESSIVE STRENGTH SHALL BE 3000 P.S.I. IN 28 DAYS.
5. CURB SHALL BE DEPRESSED AT INTERSECTIONS TO PROVIDE FOR FUTURE ACCESSIBLE RAMPS, REFER TO SITE PLAN FOR LOCATIONS.
6. TOP 6" OF SUBGRADE BENEATH THE CURB AND GUTTER SHALL BE COMPACTED TO 95% STANDARD PROCTOR DENSITY.
7. EXTEND GRAVEL 12" PAST HEEL OF CURB IF REQUIRED PER GEOTECHNICAL RECOMMENDATIONS, MIN. DEPTH 4" IF FIELD CONDITIONS WARRANT.

24" CURB AND GUTTER
N.T.S. KHA DETAIL NO: 02.203.R01 XX



6" STEEL BOLLARD WITH LDPE PLASTIC COVER
N.T.S. KHA DETAIL NO: 02.901.R01 XX



1 ALUMINUM FENCE
L2.1 NOT TO SCALE DETAIL

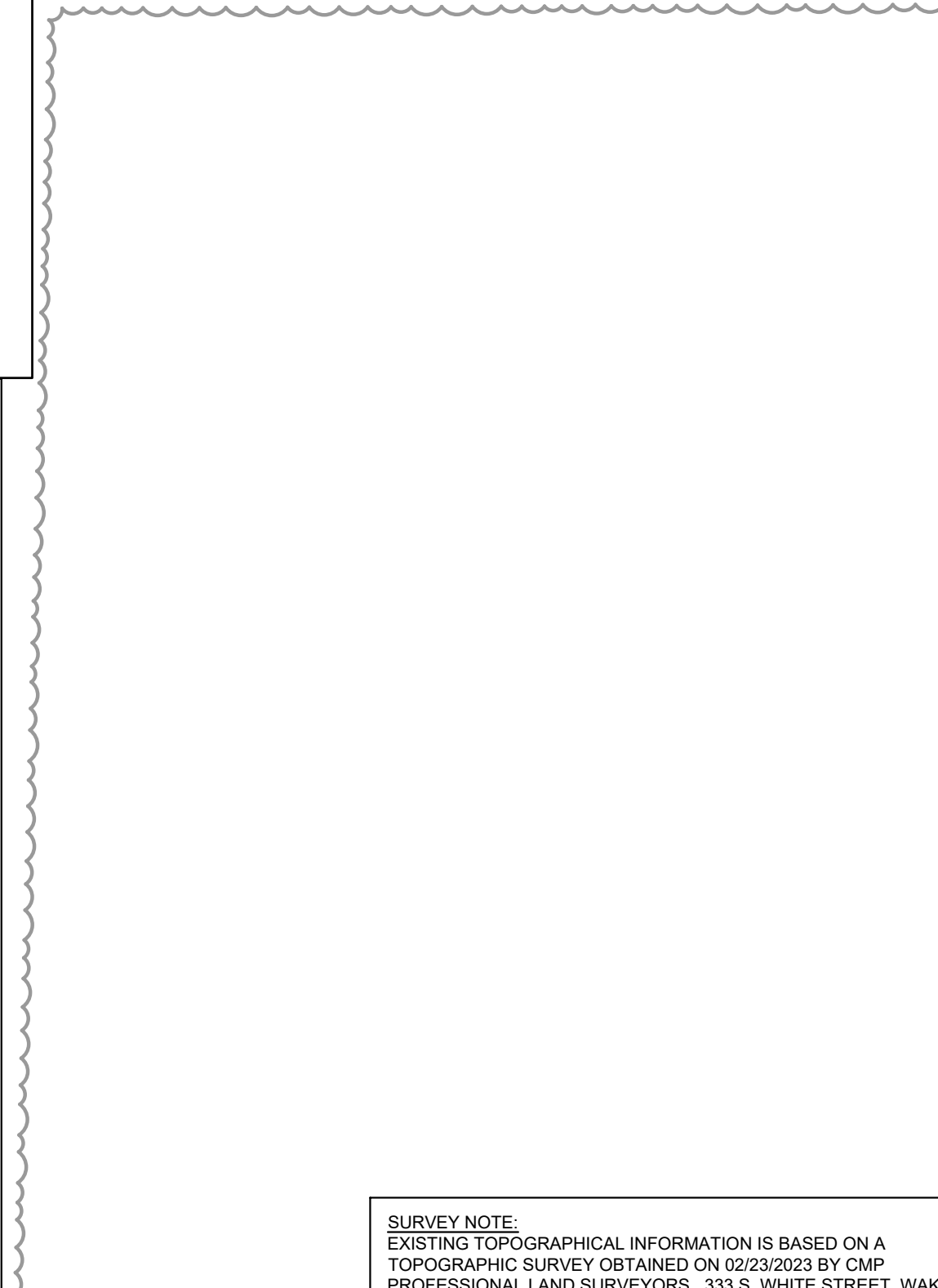
- ALUMINUM FENCE REQUIREMENTS**
- STYLE: 2 RAIL
MATERIAL: ALUMINUM
HEIGHT: 4'
COLOR: BLACK
NOTE: OWNER TO APPROVE FENCE PRIOR TO ORDERING. FENCE FOOTING TO BE DESIGNED PER MANUFACTURER'S SPECIFICATIONS.



Know what's below.
Call before you dig.

2 SCREENING FENCE
L2.1 NOT TO SCALE DETAIL

- VINYL FENCE REQUIREMENTS**
- STYLE: STOCKADE, OPAQUE
MATERIAL: VINYL
HEIGHT: 6'
COLOR: WHITE
NOTE: OWNER TO APPROVE FENCE PRIOR TO ORDERING. FENCE FOOTING TO BE DESIGNED PER MANUFACTURER'S SPECIFICATIONS.

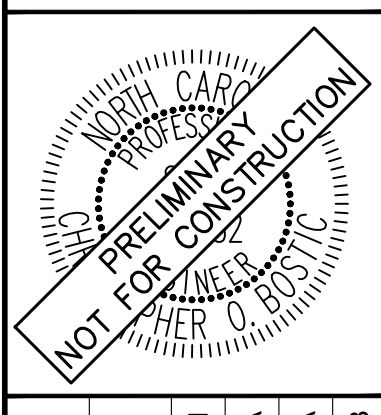


SURVEY NOTE:
EXISTING TOPOGRAPHICAL INFORMATION IS BASED ON A TOPOGRAPHIC SURVEY OBTAINED ON 02/23/2023 BY CMP PROFESSIONAL LAND SURVEYORS, 333 S. WHITE STREET, WAKE FOREST, NC, 27888. PHONE: (919) 556-3148. CONTRACTOR SHALL BE RESPONSIBLE FOR VERIFYING ALL EXISTING INFORMATION, DEPICTED OR NOT, PRIOR TO CONSTRUCTION AND REPORT POTENTIAL CONFLICTS TO OWNER AND ENGINEER.

No.	REVISIONS	DATE
1		
2		
3		
4		
5		
6		
7		

Kimley»Horn

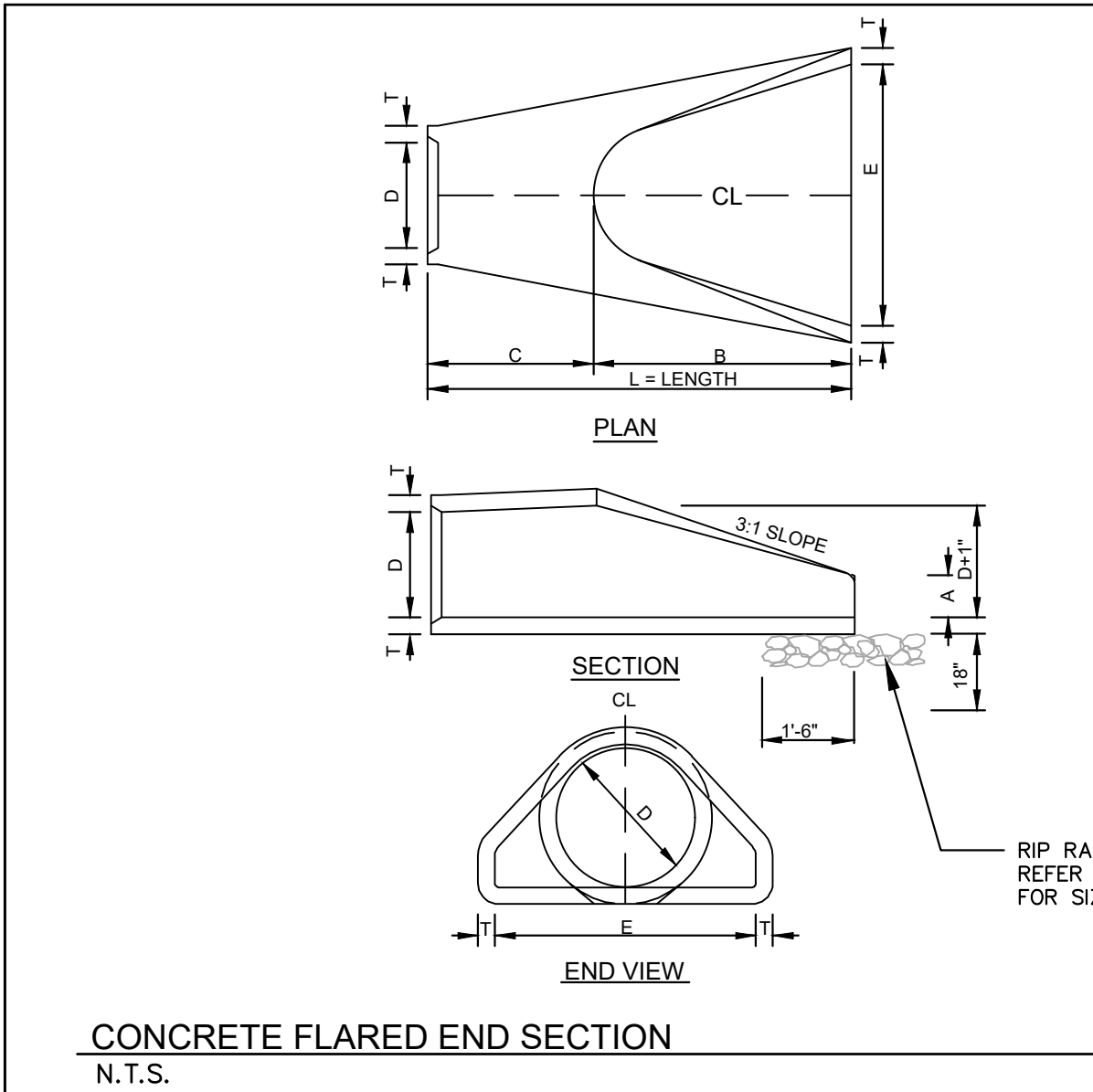
© 2023 KIMLEY-HORN AND ASSOCIATES, INC.
#F-0102 WWW.KIMLEY-HORN.COM PHONE: 919.677.2000 FAX: 919.677.2050
421 FAYETTEVILLE STREET, SUITE 800, RALEIGH, NC 27601



KHA PROJECT	016485000
DATE	10/31/2023
SCALE	AS SHOWN
DESIGNED BY	JAA
DRAWN BY	JAA
CHECKED BY	COE

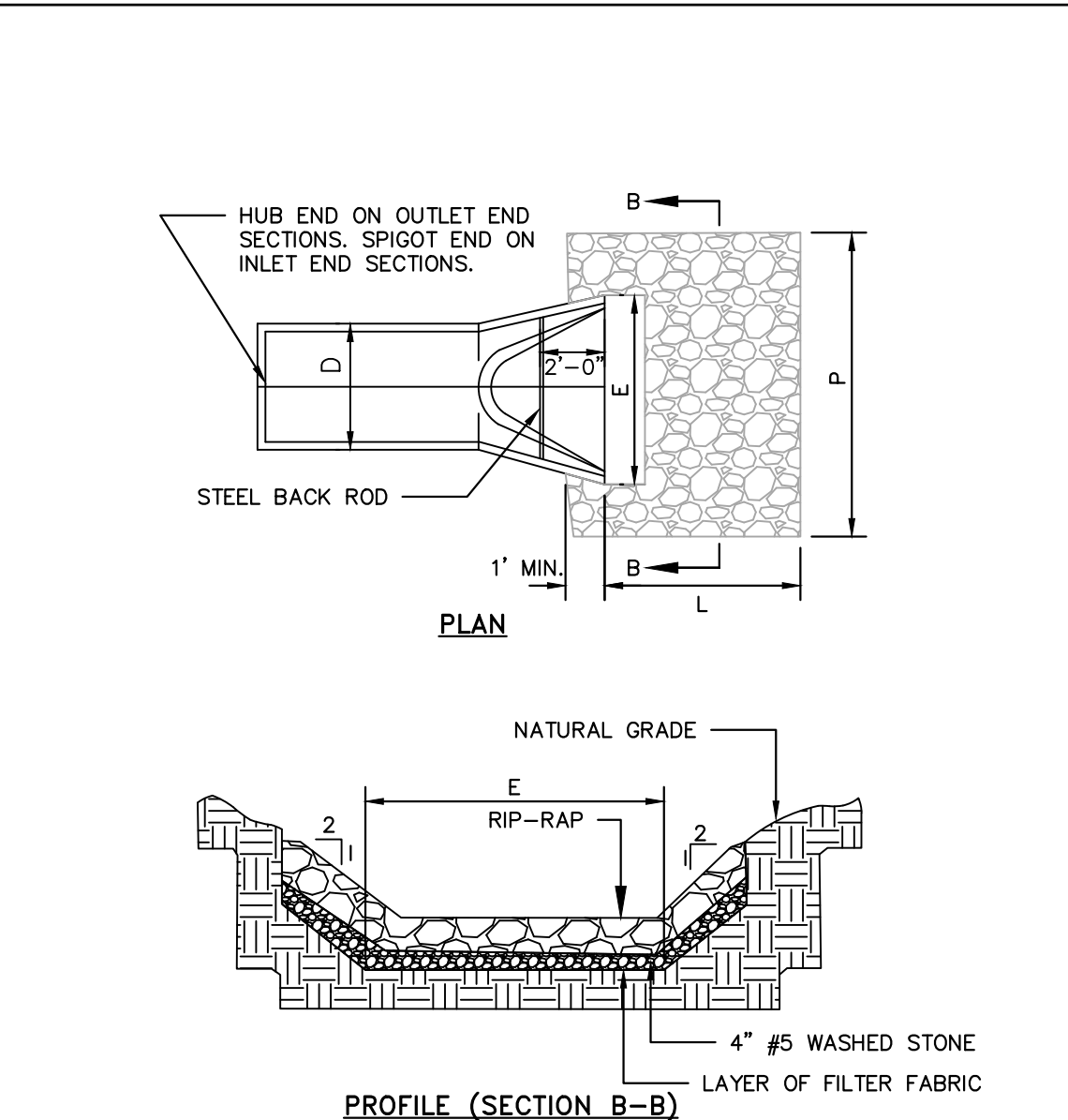
SITE DETAILS

THE LEARNING CENTER ROLESVILLE
PREPARED FOR
ROLESVILLE, LLC.
TOWN OF ROLESVILLE NORTH CAROLINA



D	T	A	B	C	E	L	WT
12"	2'-1/4"	4"	2'-0"	4'-1"	2'-0"	6'-1"	730
15"	2'-1/4"	6"	2'-3"	3'-10"	2'-0"	6'-1"	730
18"	2'-1/2"	9"	2'-3"	3'-10"	3'-0"	6'-1"	1190
24"	3"	10"	3'-8"	2'-8"	4'-0"	8'-2"	1770
30"	3'-1/2"	1'-0"	4'-8"	1'-8"	5'-0"	8'-2"	2380
36"	4'	1'-3"	5'-3"	2'-11"	6'-0"	8'-2"	5320
42"	4'-1/2"	1'-9"	5'-3"	2'-11"	6'-6"	8'-2"	5920
48"	5'	2'-0"	6'-0"	2'-2"	7'-0"	8'-2"	7470
54"	5'-1/2"	2'-3"	5'-8"	2'-10"	7'-2"	8'-4"	8810
60"	6'	2'-6"	5'-0"	3'-3"	8'-0"	8'-3"	11190
66"	6'-1/2"	3'-0"	6'-0"	2'-3"	8'-6"	8'-3"	12530
72"	7'	3'-0"	6'-6"	1'-9"	9'-0"	8'-3"	13980

- GENERAL NOTES:
- SEE FORMER NCDOT STANDARD 310.01 FOR DETAILS.
 - REINFORCEMENT SHALL CONFORM TO THE REQUIREMENTS OF REINFORCED CONCRETE PIPE OF LIKE DIAMETER PER AASHTO M170.
 - ALL CONCRETE TO BE 3000 P.S.I COMPRESSIVE STRENGTH MIN.
 - PROVIDE TONGUE OR SPIGOT JOINT AT INLET END SECTION.
 - PROVIDE GROOVE OR BELL JOINT AT OUTLET END SECTION.
 - THE DIMENSIONS FOR END SECTIONS SHALL SUBSTANTIALLY AGREE WITH THE TABLE. MINOR VARIATIONS WILL BE PERMITTED BASED ON THE MANUFACTURER'S STANDARD SPECIFICATIONS.
 - NOT TO BE USED IN NCDOT MAINTAINED RIGHT OF WAY.



STRUCTURE	Q-FULL (CFS)	E (FT)	P (FT)	D (IN)	STONE THICKNESS (IN)	STONE DIAMETER (IN)	STONE CLASS	VELOCITY (FPS)	
DRIVEWAY CULVERT	4.58	3.75	5	6.25	15	12	3	A	3.73
FES-1	16.04	6	8	10	24	12	3	A	5.11
FES-2	16.04	6	8	10	24	12	3	A	5.11

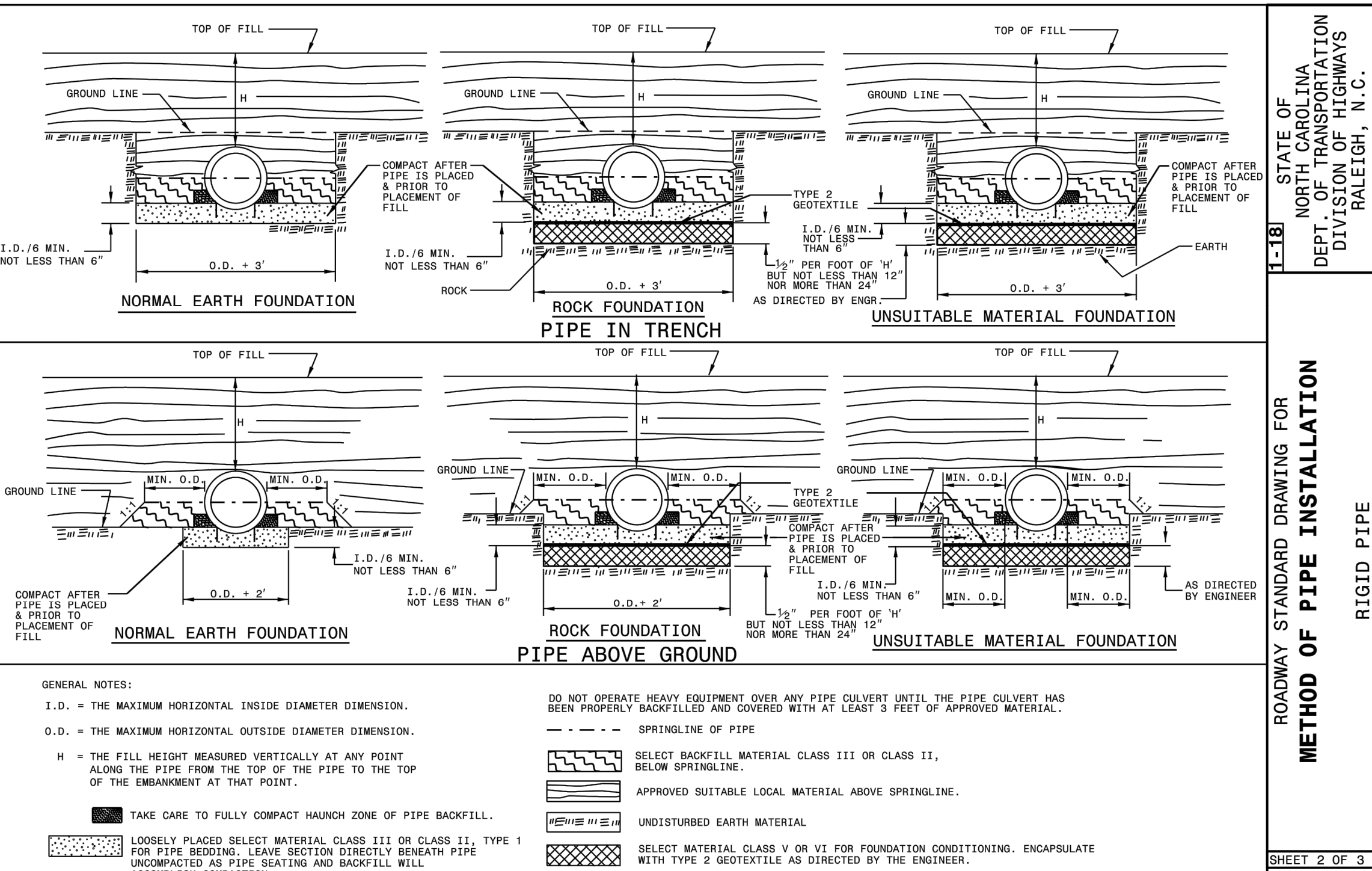
NOTES:

- THE LENGTHS OF THE RIP-RAP APRONS WERE DETERMINED BY USING THE NEW YORK DOT DISSIPATOR METHOD, AS OUTLINED IN SECTION 8.06 OF THE NCDOT EROSION CONTROL MANUAL.
- RIP-RAP APRONS DESIGNED FOR FULL FLOW CAPACITY

- NOTES:
- END OF THE PIPE OR CULVERT AT THE DISCHARGE OUTLET AT A MAXIMUM SLOPE OF 2:1 AND A HEIGHT NOT LESS THAN TWO THIRDS THE PIPE DIAMETER OR CULVERT HEIGHT.
 - THERE SHALL BE NO OVERFLOW FROM THE END OF THE APRON TO THE SURFACE OF THE RECEIVING CHANNEL. THE AREA TO BE PAVED OR RIP-RAPPED SHALL BE UNDERLAIN SO THAT THE INVERT OF THE APRON SHALL BE AT THE SAME GRADE (FLUSH) WITH THE SURFACE OF THE RECEIVING CHANNEL. THE APRON SHALL HAVE A CUTOFF OR TOE WALL AT THE DOWNSTREAM END.
 - THE WIDTH OF THE END OF THE APRON SHALL BE EQUAL TO THE BOTTOM WIDTH OF THE RECEIVING CHANNEL.
 - MAXIMUM TAPER TO RECEIVING CHANNEL 5:1.
 - ALL SUBGRADE BELOW THE STRUCTURE TO BE COMPACTED TO 95% OR GREATER.
 - THE PLACING OF FILL, EITHER LOOSE OR COMPACTED IN THE RECEIVING CHANNEL SHALL NOT BE ALLOWED.
 - NO BENDS OR CURVES IN THE HORIZONTAL ALIGNMENT OF THE APRON WILL BE PERMITTED.
- MAINTENANCE NOTES:**
- IN GENERAL, ONCE A RIPRIP INSTALLATION HAS BEEN PROPERLY DESIGNED AND INSTALLED IT REQUIRES VERY LITTLE MAINTENANCE. RIPRIP SHOULD BE INSPECTED PERIODICALLY FOR SCOUR OR DISLODGED STONES. CONTROL OF WEED AND BRUSH GROWTH MAY BE NEEDED IN SOME LOCATIONS.

- CONSTRUCTION SPECIFICATIONS:**
- ENSURE THAT THE SUBGRADE FOR THE FILTER AND RIPRIP FOLLOWS THE REQUIRED LINES AND GRADES SHOWN IN THE PLAN. COMPACT ANY FILL REQUIRED IN THE SUBGRADE TO THE DENSITY OF THE SURROUNDING UNDISTURBED MATERIAL. LOW AREAS IN THE SUBGRADE ON UNDISTURBED SOIL MAY ALSO BE FILLED BY INCREASING THE RIPRIP THICKNESS.
 - THE RIPRIP AND GRAVEL FILTER MUST CONFORM TO THE SPECIFIED GRADING LIMITS SHOWN ON THE PLANS.
 - FILTER CLOTH, WHEN USED, MUST MEET DESIGN REQUIREMENTS AND BE PROPERLY PROTECTED FROM PUNCHING OR TEARING DURING INSTALLATION. REPAIR ANY DAMAGE BY REMOVING THE RIPRIP AND PLACING ANOTHER PIECE OF FILTER CLOTH OVER THE DAMAGED AREA. ALL CONNECTING JOINTS SHOULD OVERLAP SO THE TOP LAYER IS ABOVE THE DOWNSTREAM LAYER A MINIMUM OF ONE FOOT. IF THE DAMAGE IS EXTENSIVE, REPLACE THE ENTIRE FILTER CLOTH.
 - RIPRIP MAY BE PLACED BY EQUIPMENT, BUT TAKE CARE TO AVOID DAMAGING THE FILTER.
 - THE MINIMUM THICKNESS OF THE RIPRIP SHOULD BE 1.5 TIMES THE MAXIMUM STONE DIAMETER.
 - RIPRIP MAY BE FIELD STONE OR ROUGH QUARRY STONE. IT SHOULD BE HARD, ANGULAR, HIGHLY WEATHER-RESISTANT AND WELL GRADED.
 - CONSTRUCT THE APRON ON ZERO GRADE WITH NO OVERFILL AT THE END. MAKE THE TOP OF THE RIPRIP AT THE DOWNSTREAM END LEVEL WITH THE RECEIVING AREA OR SLIGHTLY BELOW IT.
 - ENSURE THAT THE APRON IS PROPERLY ALIGNED WITH THE RECEIVING STREAM AND PREFERABLY STRAIGHT THROUGHOUT ITS LENGTH. IF A CURVE IS NEEDED TO FIT SITE CONDITIONS, PLACE IT IN THE UPPER SECTION OF THE APRON.
 - IMMEDIATELY AFTER CONSTRUCTION, STABILIZE ALL DISTURBED AREAS WITH VEGETATION.

RIP-RAP APRON AT FLARED END SECTION
N.T.S. KHA DETAIL NO: 03.205.R02 XX



Diameter (inches)	Minimum cover (inches)	Round Corrugated Steel Pipe 2 2/3 x 1/2 corrugation **				Round Corrugated Aluminum Pipe 2 2/3 x 1/2 corrugation **			
		(Ga) 16	14	12	10	(Ga) 16	14	12	10
12	12	204	256	100	142	123	155	218	281
15	12	162	208	99	142	99	123	174	224
18	12	135	169	239	142	81	102	144	187
21	12	115	145	204	142	69	87	123	160
24	12	100	126	178	142	60	76	108	139
30	12	79	100	142	142	57	67	95	123
36	12	65	83	117	152	50	71	92	113
42	12	55	70	100	130	42	60	78	96
48	12	48	61	87	113	49	52	68	84
54	12	44	54	77	100	41	52	68	84
60	12	40	49	69	90	46	50	74	92
66	12	37	45	64	81	40	47	64	81
72	12	34	41	60	74	36	43	58	74
78	12	32	38	57	71	33	40	54	70
84	12	30	36	54	69	31	38	51	67

REFER TO THE FOLLOWING FOR PIPE SPECIFICATIONS

CSP - AASHTO M36
CAAP - AASHTO M196
HDPE - AASHTO M294
PVC - ASTM F949 OR AASHTO M304

NOTES: FILL HEIGHTS SHOWN WERE CALCULATED USING AASHTO LRFD BRIDGE DESIGN SPECIFICATIONS

1' MINIMUM COVER FOR ALL SIDE DRAIN PIPE IN ACCORDANCE WITH THE STANDARD SPECIFICATIONS

RIGID PIPE

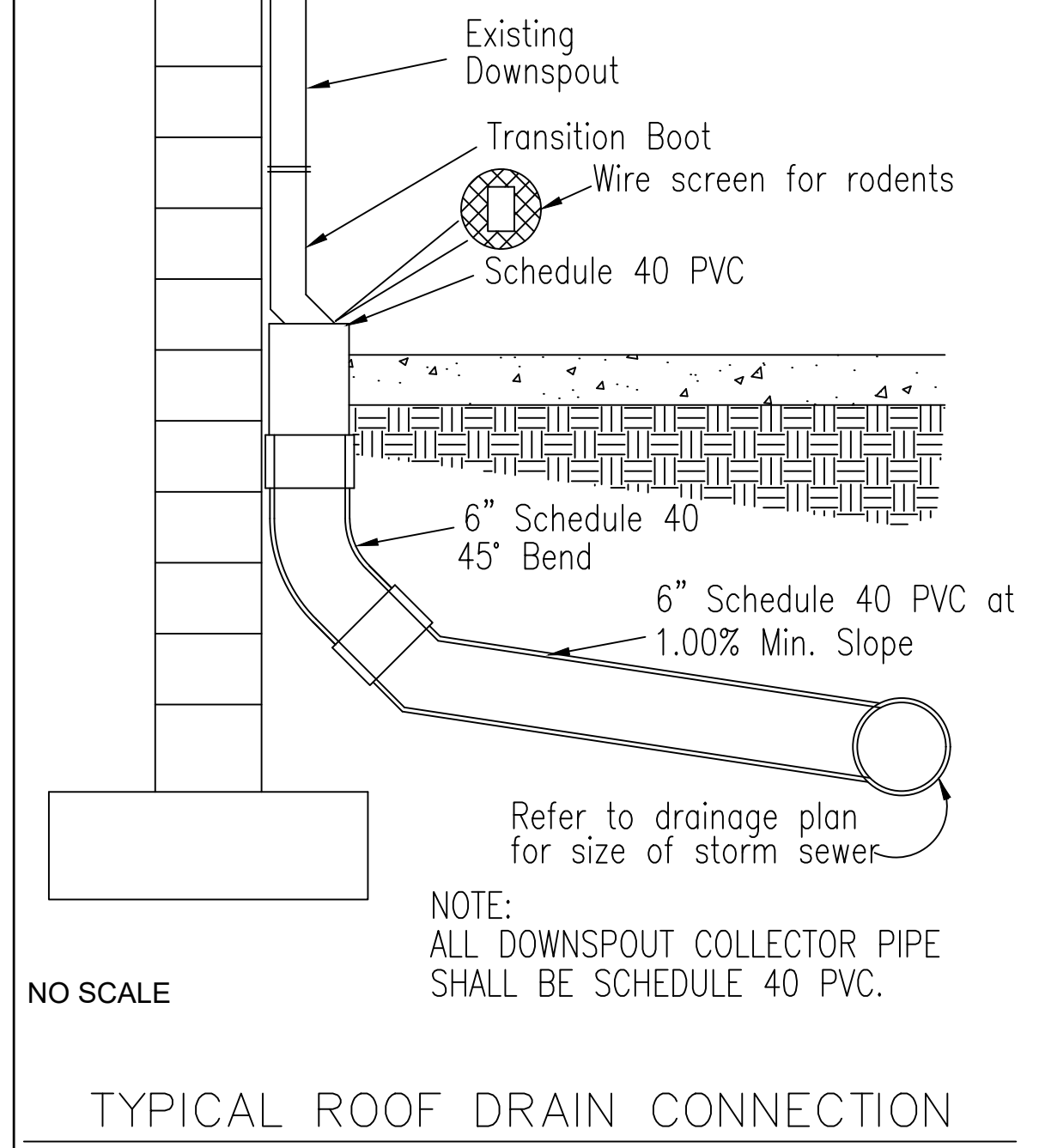
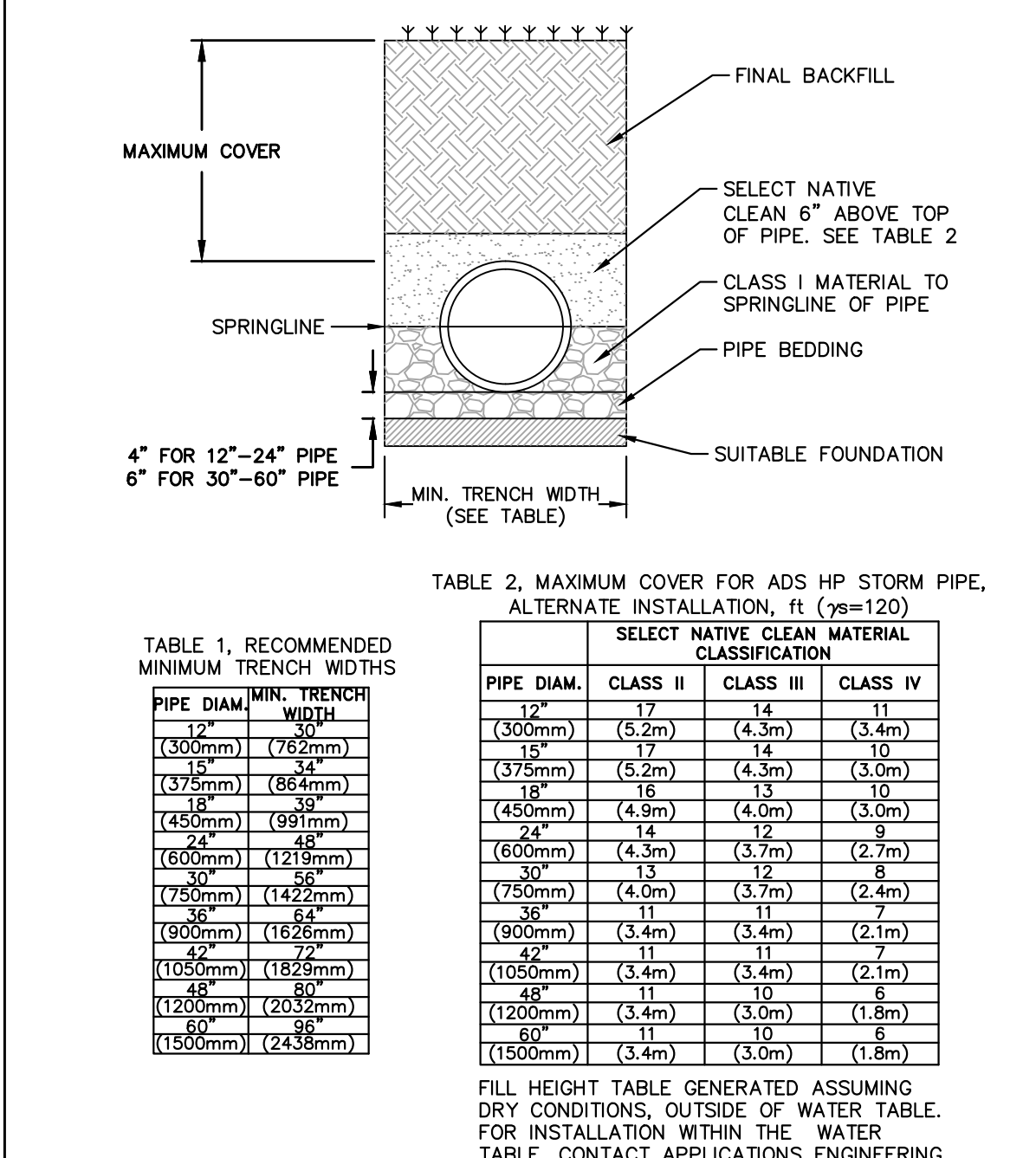
RCP - (Minimum fill) 1' for Class IV & Class V
2' for Class III & Class II
(Maximum fill) 10' - Class II pipe
20' - Class III pipe
30' - Class IV pipe
40' - Class V pipe
(For fills > 40' & < 80' use LRFD Direct Design Method)

REFER TO THE FOLLOWING FOR PIPE SPECIFICATIONS

RCP - AASHTO M170

NOTES: FILL HEIGHTS SHOWN WERE CALCULATED USING AASHTO LRFD BRIDGE DESIGN SPECIFICATIONS

1' MINIMUM COVER FOR ALL SIDE DRAIN PIPE IN ACCORDANCE WITH THE STANDARD SPECIFICATIONS



- NOTES:
- MEASURES SHOULD BE TAKEN TO PREVENT MIGRATION OF NATIVE FINES INTO BACKFILL MATERIAL, WHEN REQUIRED.
 - SOIL CLASSIFICATIONS ARE PER THE LATEST VERSION OF ASTM D2321. CLASS IVB MATERIALS (MH, CH) AS DEFINED IN PREVIOUS VERSIONS OF ASTM D2321 ARE NOT APPROPRIATE BACKFILL MATERIALS.
 - FOUNDATION** WHERE THE TRENCH BOTTOM IS UNSTABLE, THE CONTRACTOR SHALL EXCAVATE TO A DEPTH REQUIRED BY THE ENGINEER AND REPLACE WITH SUITABLE MATERIAL AS SPECIFIED BY THE ENGINEER. AS AN ALTERNATIVE AND AT THE DISCRETION OF THE DESIGN ENGINEER, THE TRENCH BOTTOM MAY BE STABILIZED USING A GEOTEXTILE MATERIAL.
 - BEDDING** SUITABLE MATERIAL SHALL BE CLASS I. THE CONTRACTOR SHALL PROVIDE DOCUMENTATION FOR MATERIAL SPECIFICATION TO ENGINEER. UNLESS OTHERWISE NOTED BY THE ENGINEER MINIMUM BEDDING THICKNESS SHALL BE 4" (100mm) FOR 4"-24" (100mm-600mm); 6" (150mm) FOR 30"-60" (750mm-1500mm).
 - BACKFILL** FOR PIPES OUTSIDE OF PAVEMENT CLASS I MATERIAL TO BE USED FOR BACKFILL UP TO THE SPRINGLINE OF PIPE. THE CONTRACTOR SHALL PROVIDE DOCUMENTATION FOR MATERIAL SPECIFICATION TO ENGINEER. UNLESS OTHERWISE NOTED BY THE ENGINEER, CLASS I MATERIAL MUST BE COMPACTED IN 6" (200mm) LIFTS.
 - MINIMUM COVER** MINIMUM COVER, H, IN NON-TRAFFIC APPLICATIONS (GRASS OR LANDSCAPE AREAS IS 12" (300mm) FROM THE TOP OF PIPE TO GROUND SURFACE. ADDITIONAL COVER MAY BE REQUIRED TO PREVENT FLOTATION.
 - SELECT NATIVE CLEAN BACKFILL SHALL BE WELL PLACED, MODERATELY COMPACTED (85% SPD) CLASS IV OR BETTER PER ASTM D2321 WITH NO FOREIGN DEBRIS INCLUDING ROCKS, LARGE CLUMPS ORGANIC MATERIAL, OR FROZEN MATERIAL.
 - HP STORM ALTERNATE TRENCH DETAIL ONLY APPLIES TO BACKFILL INSTALLATIONS IN NON-TRAFFIC APPLICATIONS PER TN 2.04A. ALTERNATE TRENCH USE MUST BE APPROVED BY DESIGN ENGINEER. DETAIL DOES NOT SUPERSEDE ADS STANDARD DETAIL STD-108.

HP STORM TRENCH INSTALLATION DETAIL
N.T.S. KHA DETAIL NO: 03.101.R01 XX

SURVEY NOTE:
EXISTING TOPOGRAPHICAL INFORMATION IS BASED ON A TOPOGRAPHIC SURVEY OBTAINED ON 02/23/2023 BY CNP PROFESSIONAL LAND SURVEYORS, 333 S. WHITE STREET, WAKE FOREST, NC 27988. PHONE: (919) 556-3148. CONTRACTOR SHALL BE RESPONSIBLE FOR VERIFYING ALL EXISTING INFORMATION, DEPICTED OR NOT, PRIOR TO CONSTRUCTION AND REPORT POTENTIAL CONFLICTS TO OWNER AND ENGINEER.

No.	REVISIONS	DATE
1		
2		
3		
4		
5		
6		
7		
8		
9		
10		

STATE OF NORTH CAROLINA
DEPT. OF TRANSPORTATION
DIVISION OF HIGHWAYS
RALEIGH, N.C.

RIGID PIPE

ROADWAY STANDARD DRAWING FOR METHOD OF PIPE INSTALLATION

300.01

KIMLEY-HORN & ASSOCIATES, INC.
421 FAYETTEVILLE STREET, SUITE 600, RALEIGH, NC 27601

300.01

STATE OF NORTH CAROLINA
DEPT. OF TRANSPORTATION
DIVISION OF HIGHWAYS
RALEIGH, N.C.

ROADWAY STANDARD DRAWING FOR METHOD OF PIPE INSTALLATION

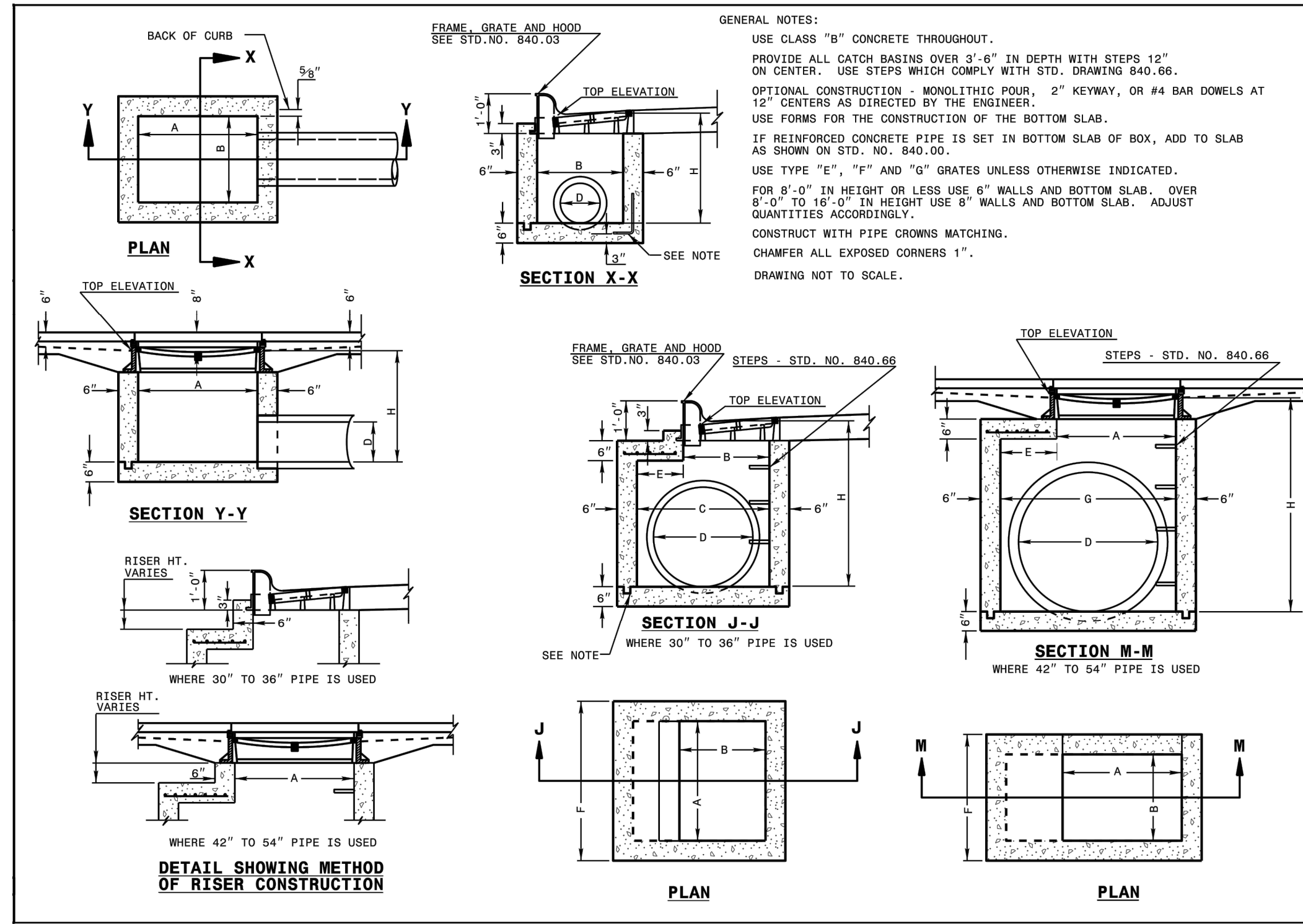
FILL HEIGHT TABLES

300.01

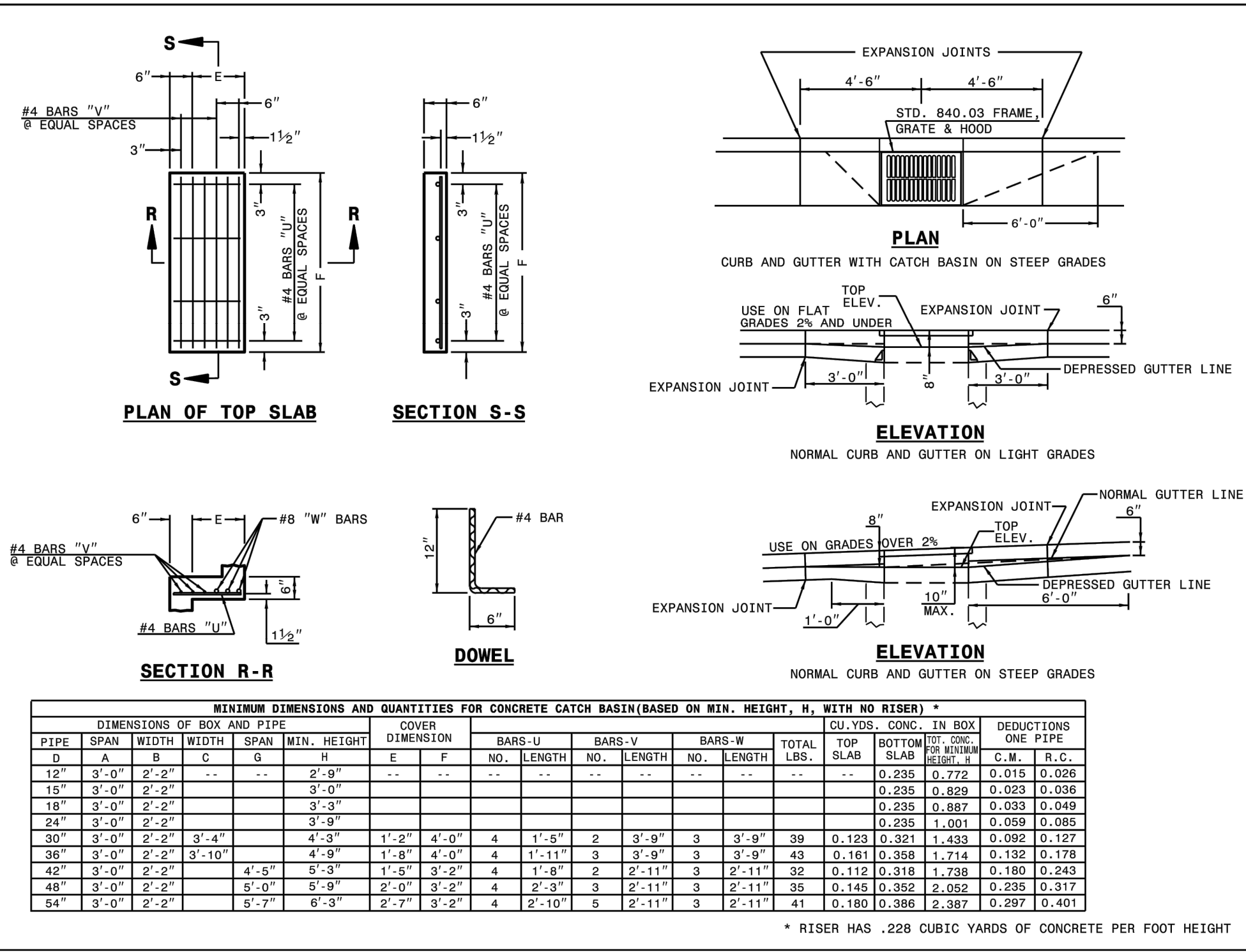
KHA PROJECT 016485000
DATE 10/31/2023
SCALE AS SHOWN
DESIGNED BY JAA
DRAWN BY JAA
CHECKED BY COE

STORM DETAILS

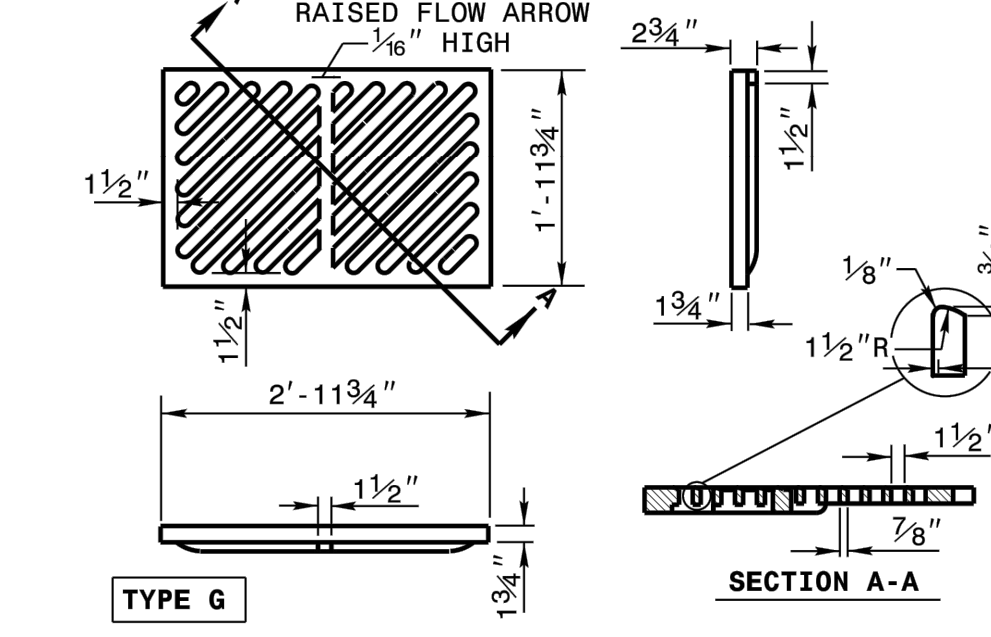
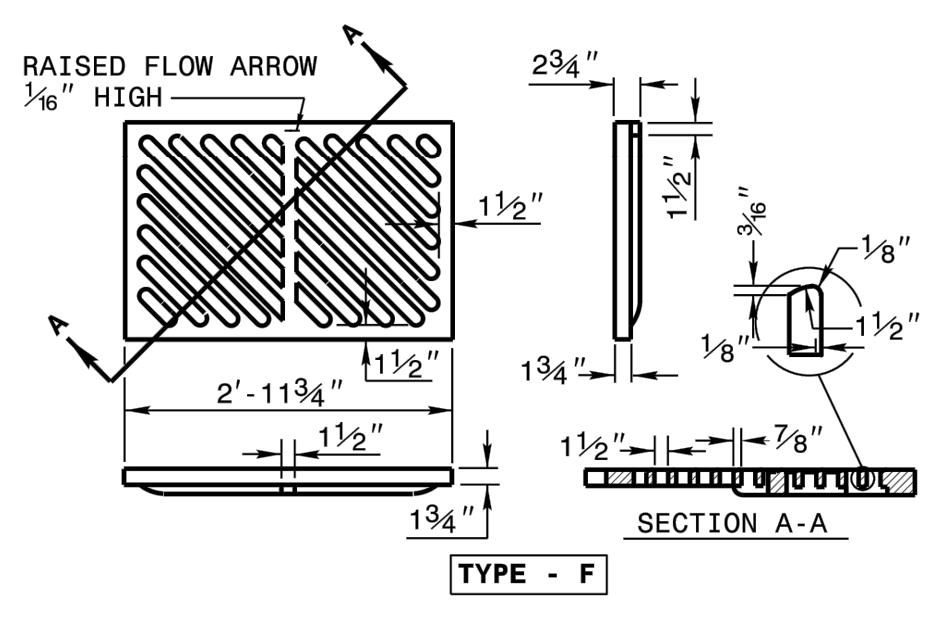
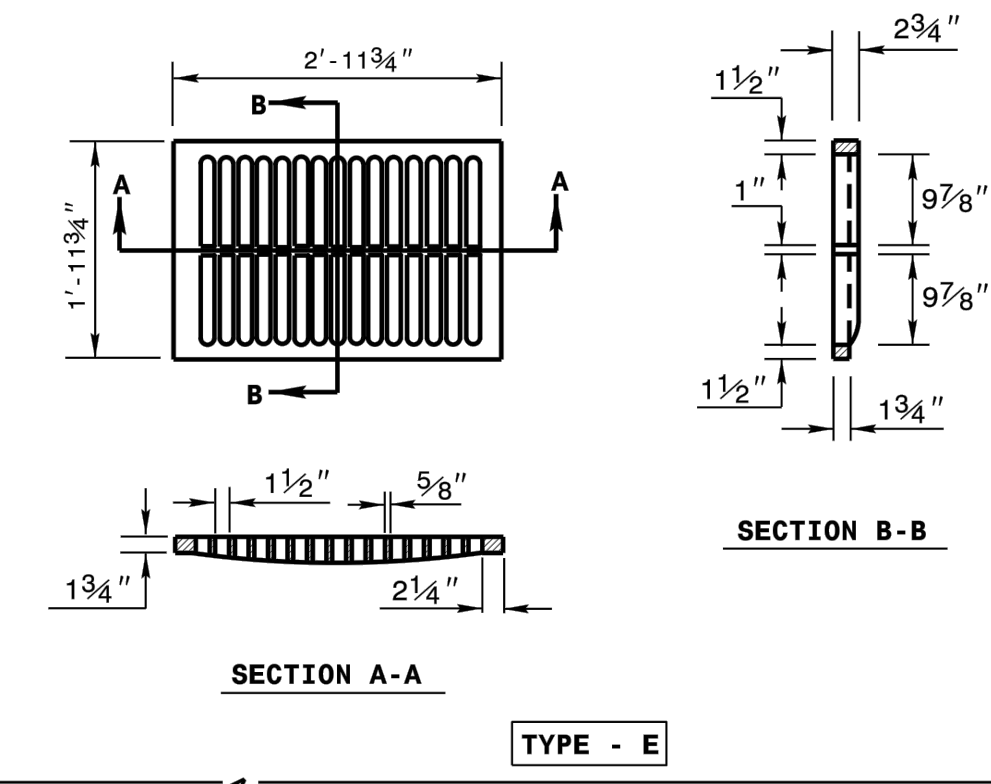
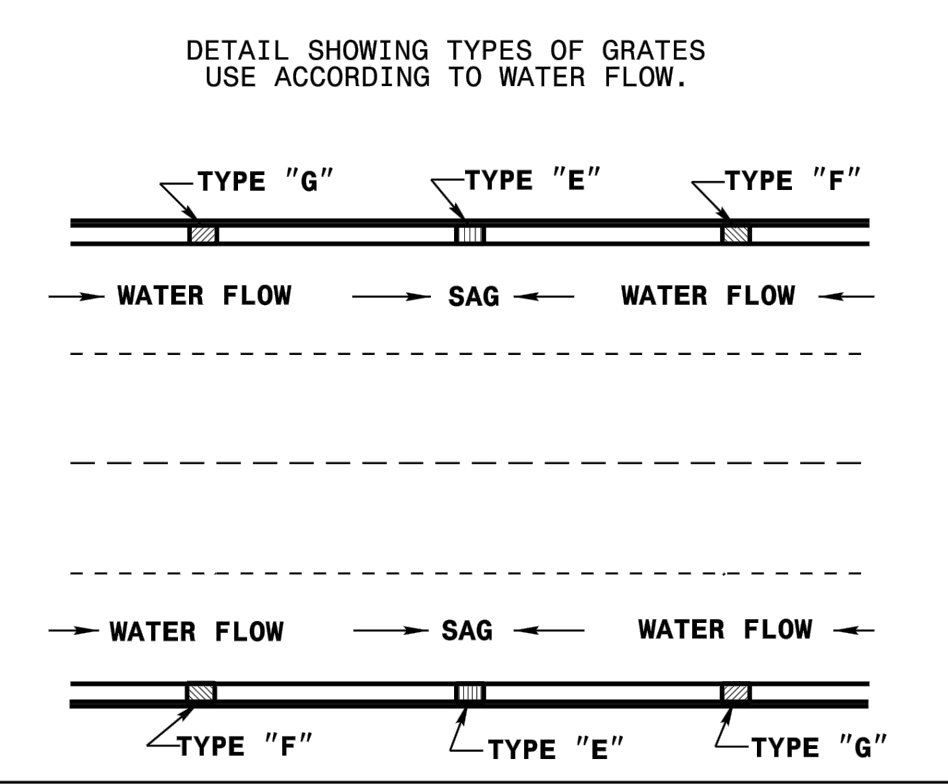
Plotted By: Alexander, Jamal Sheet Set: THE LEARNING CENTER ROLESVILLE Layout: C9.1 STORM DETAILS March 01, 2024 05:22:55pm K:\REAL_LDEV\013031004_Rolesville_Layout_C9.1 CAD Files\Plans\Storm\C9.1 STORM DETAILS.dwg
 This document, together with the concepts and designs presented herein, is an instrument of service, as intended only for the specific purpose and client for which it was prepared. Reuse of and improper reliance on this document without written authorization and adaptation by Kimley-Horn and Associates, Inc. shall be without liability to Kimley-Horn and Associates, Inc.



STATE OF NORTH CAROLINA
 DEPT. OF TRANSPORTATION
 DIVISION OF HIGHWAYS
 RALEIGH, N.C.
 ROADWAY STANDARD DRAWING FOR
CONCRETE CATCH BASIN
 12" THRU 54" PIPE
 SHEET 1 OF 2
840.02



STATE OF NORTH CAROLINA
 DEPT. OF TRANSPORTATION
 DIVISION OF HIGHWAYS
 RALEIGH, N.C.
 ROADWAY STANDARD DRAWING FOR
CONCRETE CATCH BASIN
 12" THRU 54" PIPE
 SHEET 2 OF 2
840.02



STATE OF NORTH CAROLINA
 DEPT. OF TRANSPORTATION
 DIVISION OF HIGHWAYS
 RALEIGH, N.C.
 ROADWAY STANDARD DRAWING FOR
FRAME, GRATES, AND HOOD
 FOR USE ON STANDARD CATCH BASIN
 SHEET 2 OF 2
840.03

SURVEY NOTE:
 EXISTING TOPOGRAPHICAL INFORMATION IS BASED ON A TOPOGRAPHIC SURVEY OBTAINED ON 02/23/2023 BY CMP PROFESSIONAL LAND SURVEYORS, 333 S. WHITE STREET, WAKE FOREST, NC 27588. PHONE: (919) 556-3148. CONTRACTOR SHALL BE RESPONSIBLE FOR VERIFYING ALL EXISTING INFORMATION, DEPICTED OR NOT, PRIOR TO CONSTRUCTION AND REPORT POTENTIAL CONFLICTS TO OWNER AND ENGINEER.



SDP-23-07

THE LEARNING CENTER ROLESVILLE
 PREPARED FOR ROLESVILLE, LLC.
 TOWN OF ROLESVILLE NORTH CAROLINA

STORM DETAILS

811 Know what's below. Call before you dig.

SHEET NUMBER **C9.1**

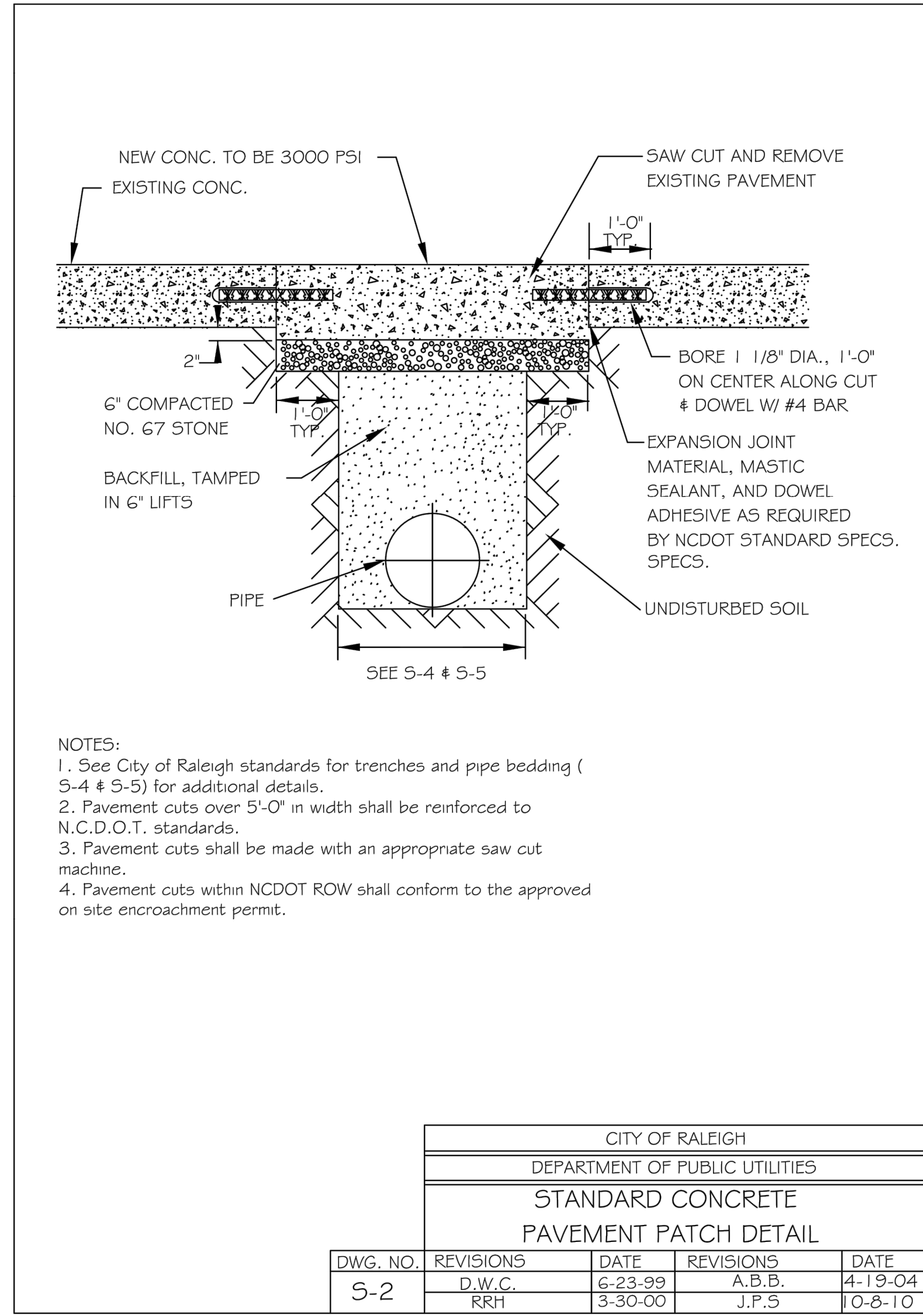
KHA PROJECT 016485000
 DATE 10/31/2023
 SCALE AS SHOWN
 DESIGNED BY JAA
 DRAWN BY JAA
 CHECKED BY COE

ROADWAY STANDARD DRAWING FOR
CONCRETE CATCH BASIN
 12" THRU 54" PIPE
 SHEET 2 OF 2
840.02

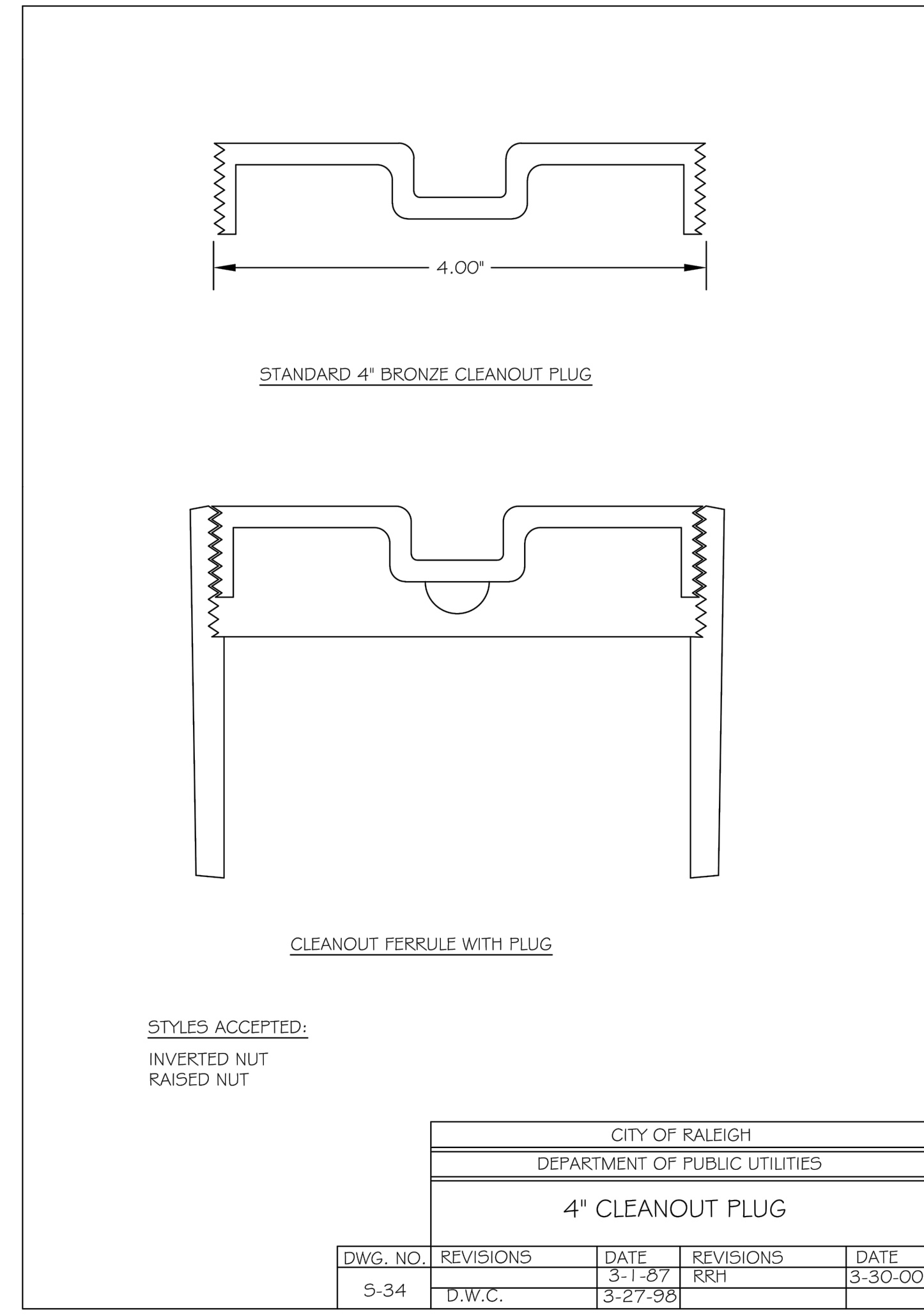
© 2023 KIMLEY-HORN AND ASSOCIATES, INC.
 #F-0102 WWW.KIMLEY-HORN.COM PHONE: 919-677-2000 FAX: 919-677-2050
 421 FAYETTEVILLE STREET, SUITE 600, RALEIGH, NC 27601

NO.	REVISIONS	DATE	BY
1	TOWN COMMENTS	03/01/2024	JAA
2	TOWN COMMENTS	01/02/2024	JAA

Plotted By: Alexander, Jamal Sheet Set: THE LEARNING CENTER ROLESVILLE Layout: C10.0 SANITARY SEWER DETAILS March 01, 2024 05:23:07pm K:\RAL_LDEV\013031004_Rolesville_Leaning_Center\PI0_CAD Files\PlanSheets\C10.1 SANITARY SEWER DETAILS.dwg
 This document, together with the concepts and designs presented herein, is an instrument of service, is intended only for the specific purpose and client for which it was prepared. Reuse of and improper reliance on this document without written authorization and adaptation by Kimley-Horn and Associates, Inc. shall be without liability to Kimley-Horn and Associates, Inc.



#26 Bedding and trench, backfill section, and cleanout details have been removed. Details are still needed. Use COR for sewer and water.



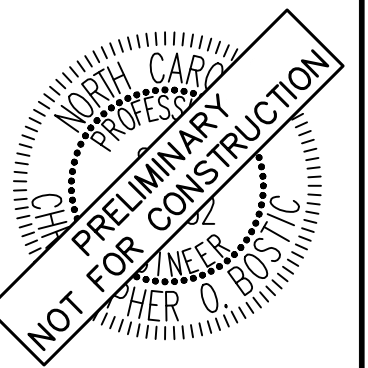
SURVEY NOTE:
 EXISTING TOPOGRAPHICAL INFORMATION IS BASED ON A TOPOGRAPHIC SURVEY OBTAINED ON 02/23/2023 BY CMP PROFESSIONAL LAND SURVEYORS, 333 S. WHITE STREET, WAKE FOREST, NC, 27588. PHONE: (919) 556-3148. CONTRACTOR SHALL BE RESPONSIBLE FOR VERIFYING ALL EXISTING INFORMATION, DEPICTED OR NOT, PRIOR TO CONSTRUCTION AND REPORT POTENTIAL CONFLICTS TO OWNER AND ENGINEER.



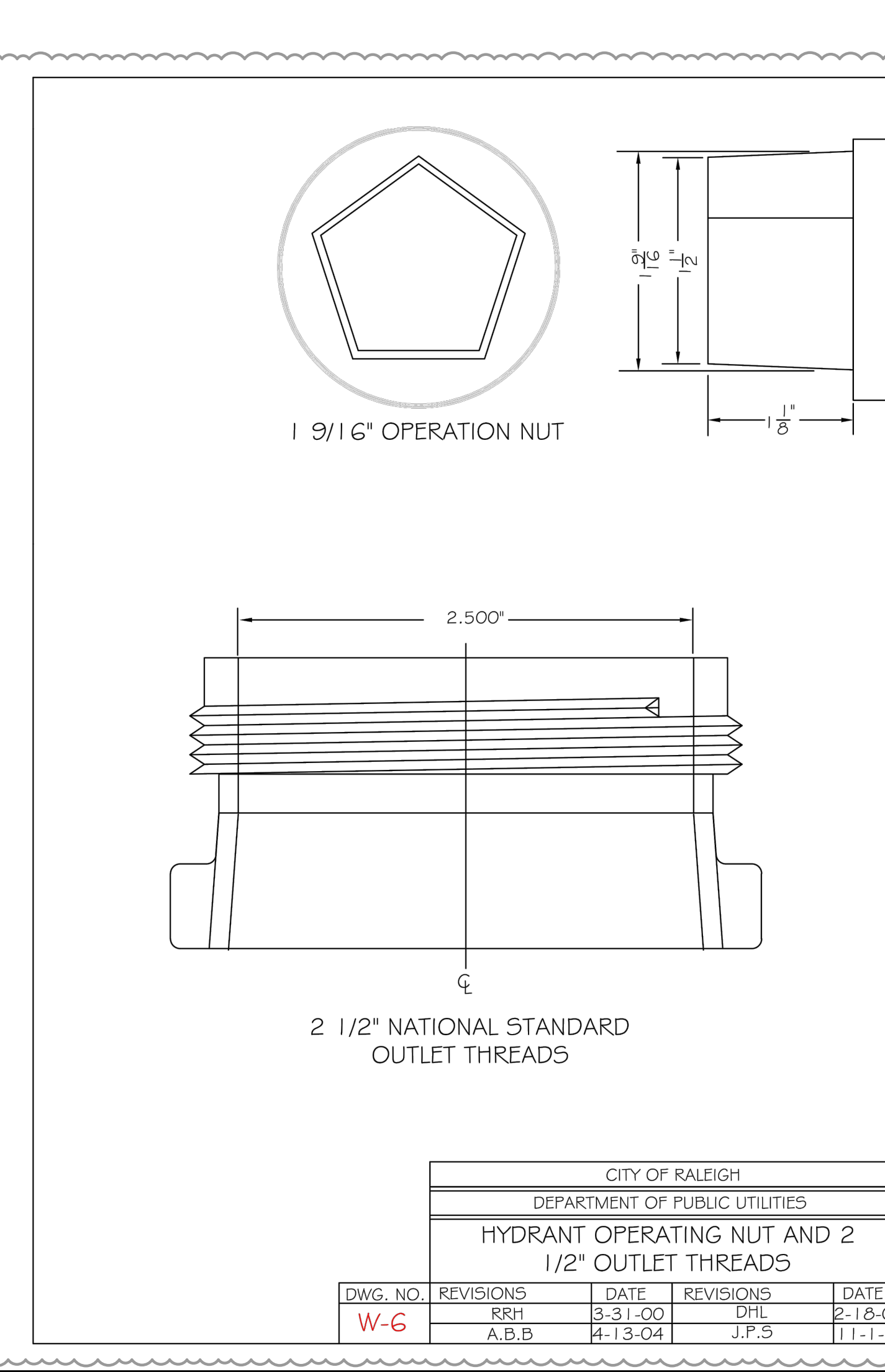
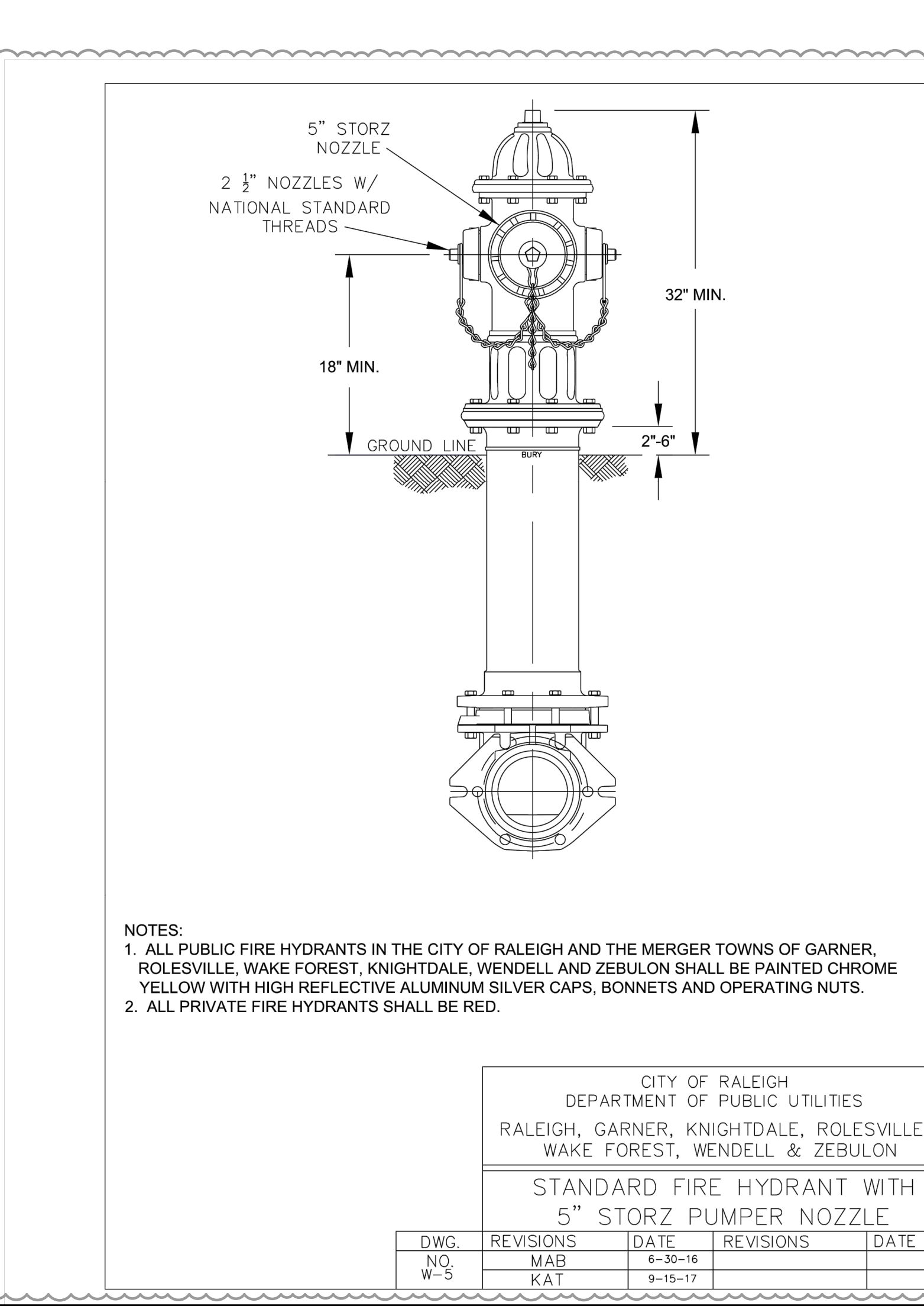
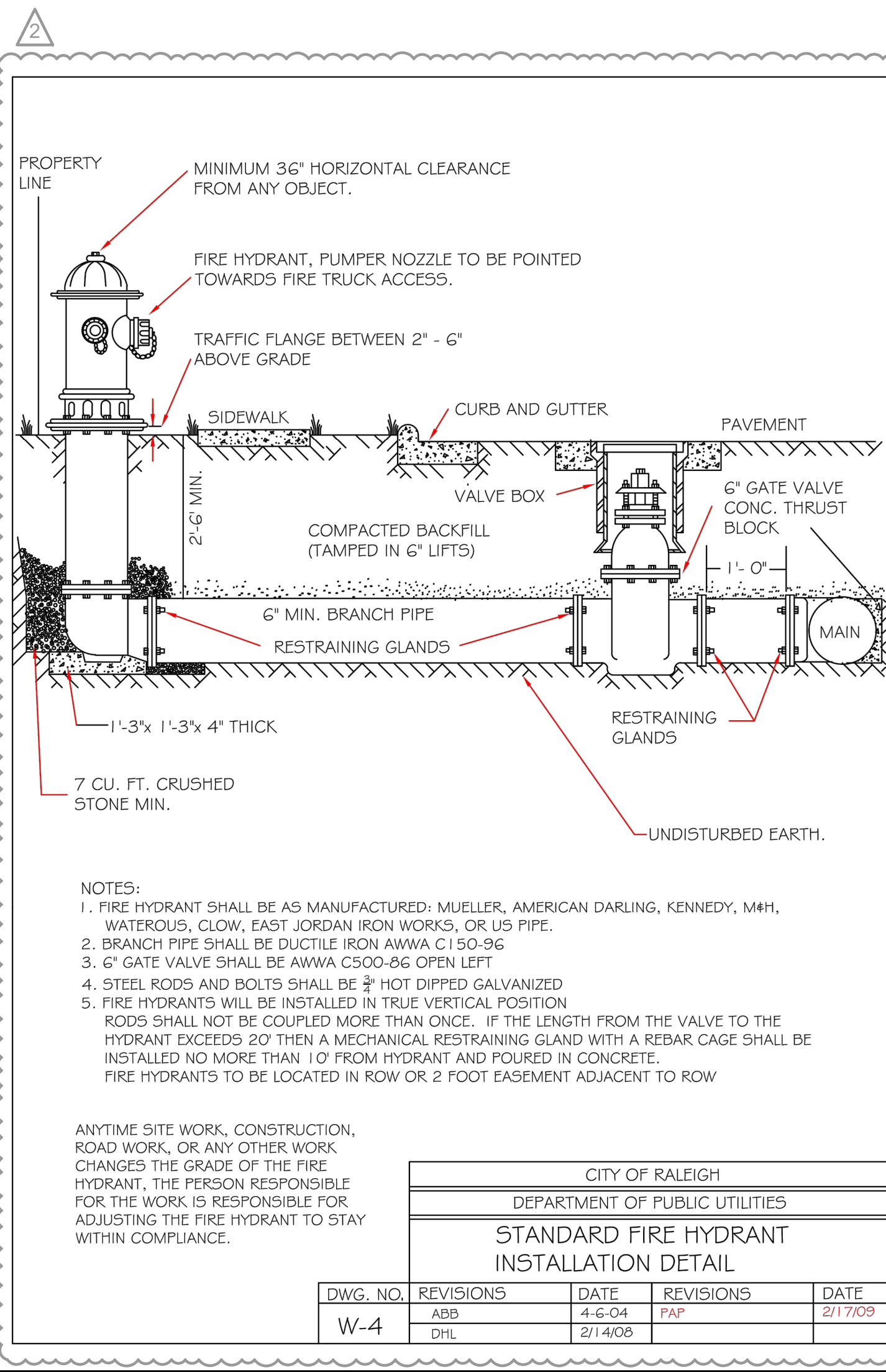
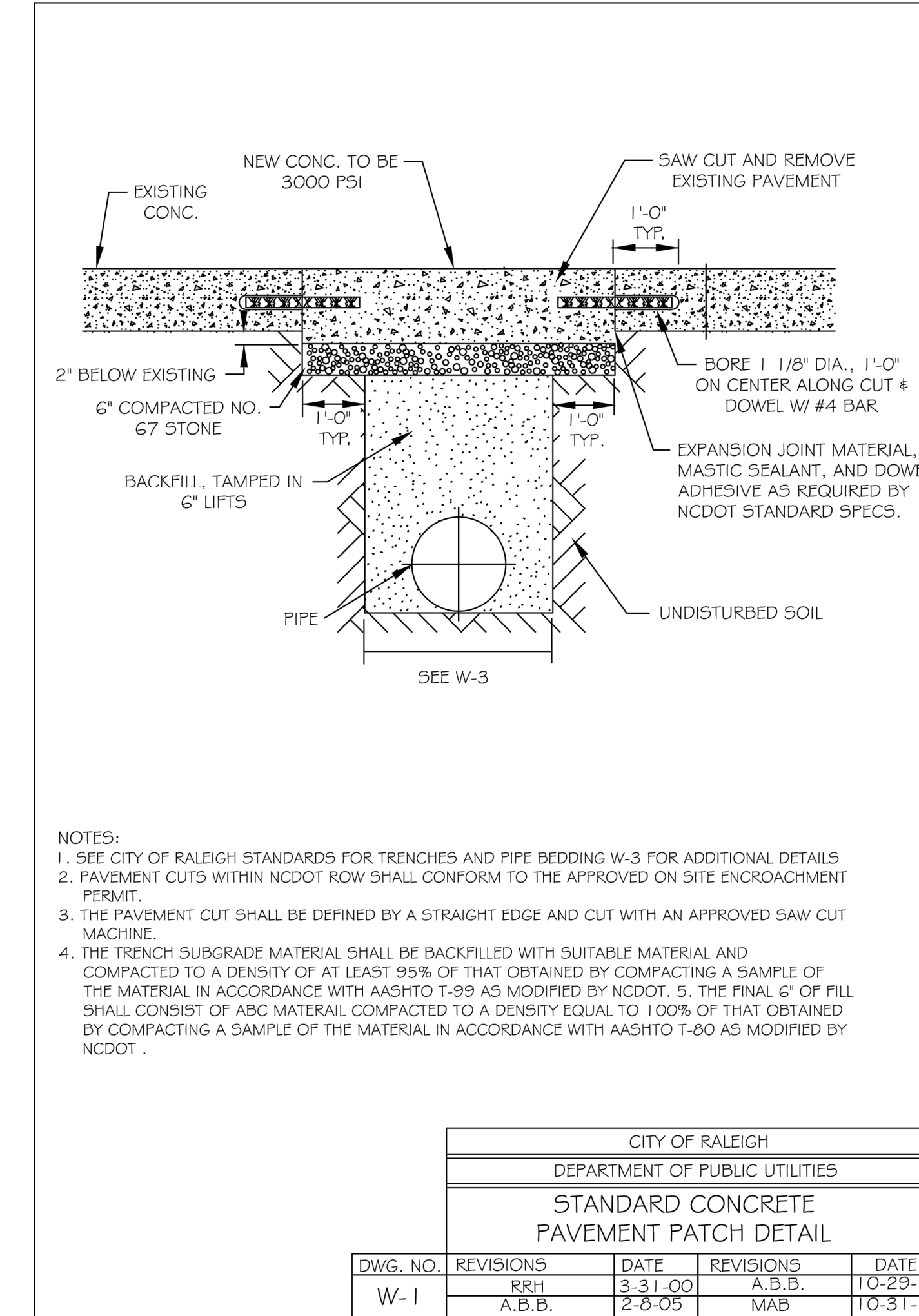
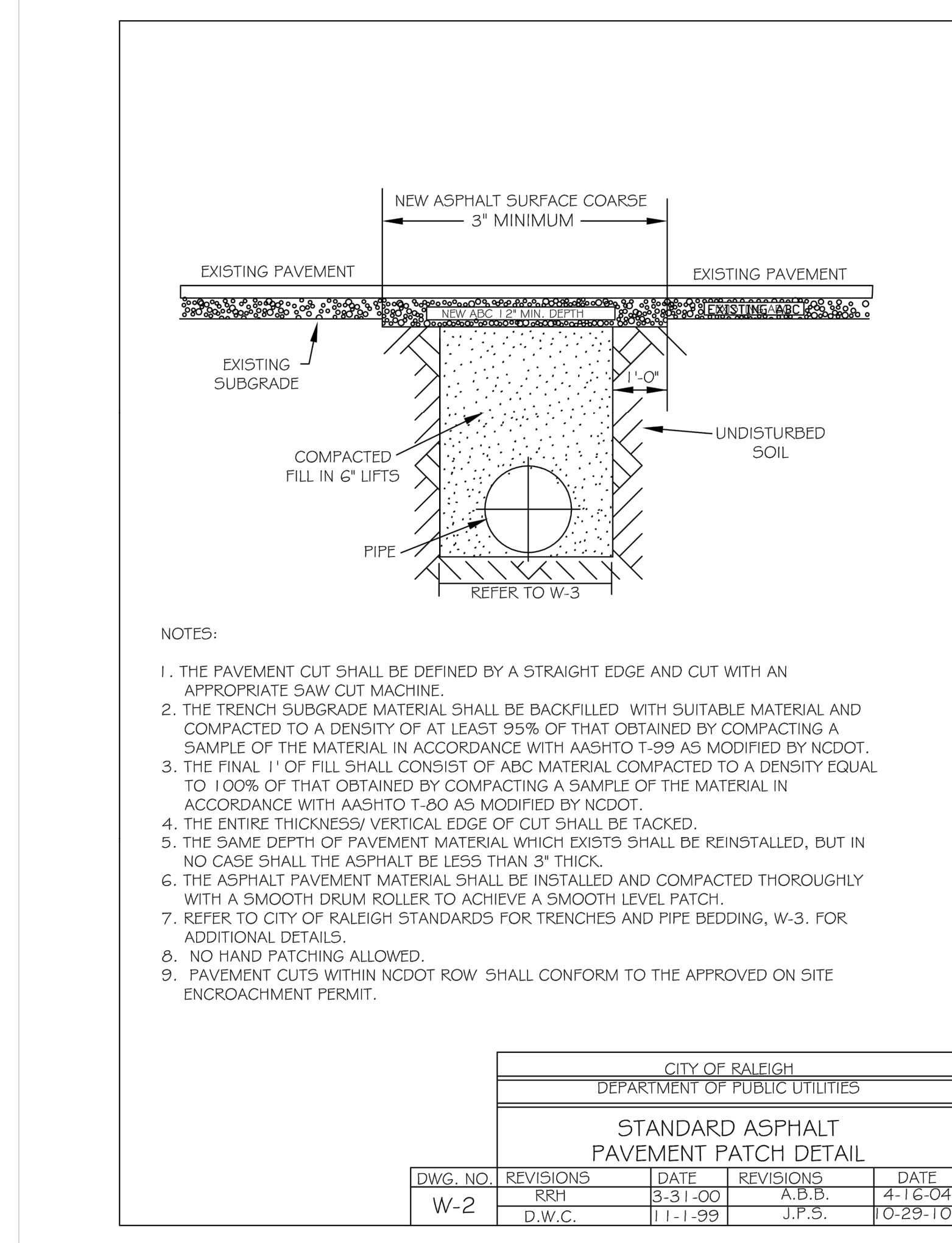
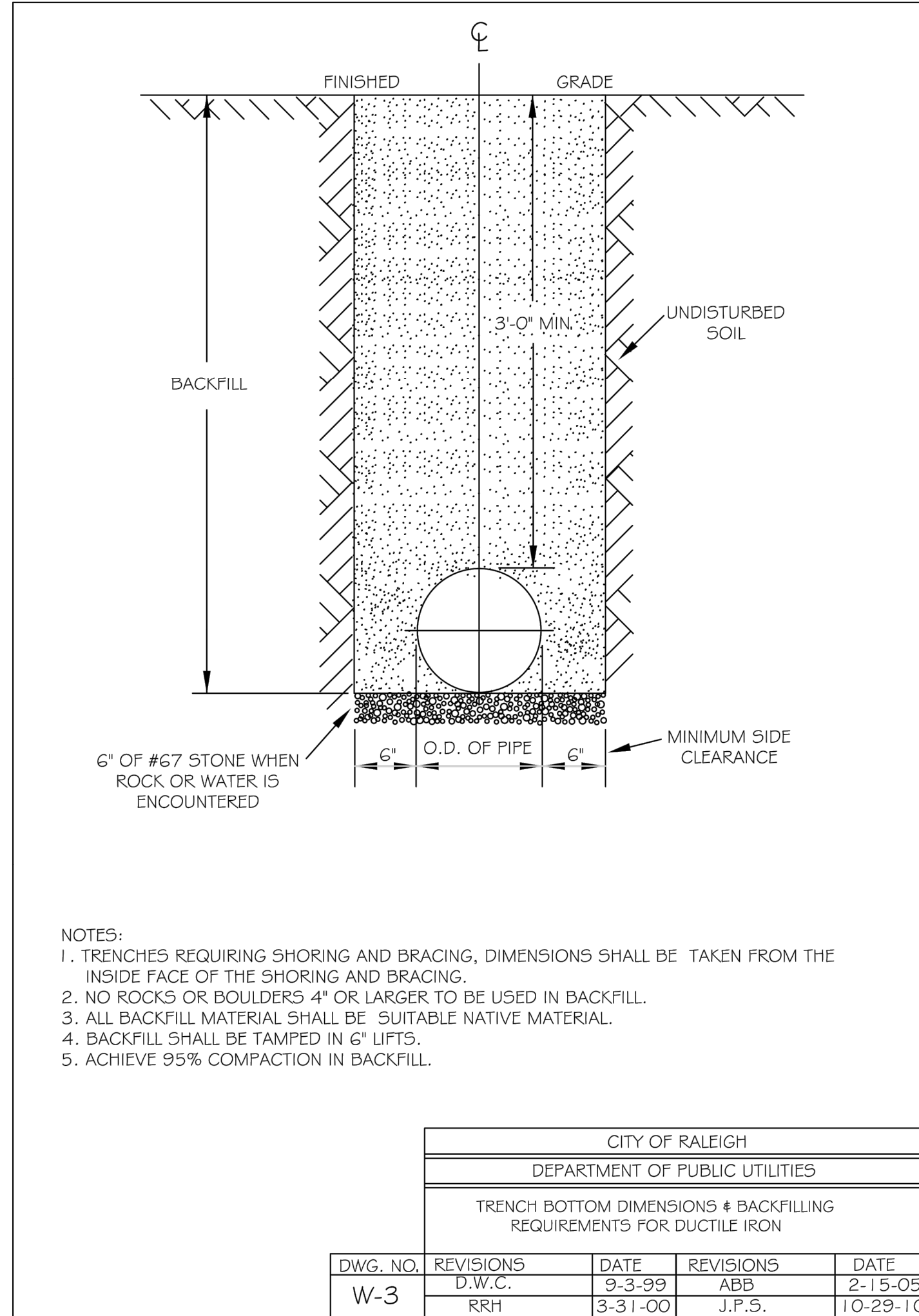
SDP-23-07

KHA PROJECT 016485000		DATE 10/31/2023		SCALE AS SHOWN		DESIGNED BY JAA		DRAWN BY JAA		CHECKED BY COB	
THE LEARNING CENTER ROLESVILLE						SANITARY SEWER DETAILS					
PREPARED FOR ROLESVILLE, LLC.						NORTH CAROLINA					
SHEET NUMBER C10.0						TOWN COMMENTS 03/01/2024 JAA					
						TOWN COMMENTS 01/02/2024 JAA					
						REVISIONS					
						DATE					
						BY					

Kimley»Horn
 © 2023 KIMLEY-HORN AND ASSOCIATES, INC.
 WWW.KIMLEY-HORN.COM PHONE: 919.677.2000 FAX: 919.677.2050
 #F-0102 421 FAYETTEVILLE STREET, SUITE 600, RALEIGH, NC 27601



PLOTTED BY: alexander.jamal@khl.com THE LEARNING CENTER ROLESVILLE March 01, 2024 05:23:22pm K:\RAL_LDEV01\3031004_Rolesville_Learning_Center\DWG\CAD Files\PlanSheets\C11.3 WATER DETAILS.dwg
 This document, together with the concepts and designs presented herein, is an instrument of service, to be intended only for the specific purpose and client for which it was prepared. Reuse of and improper reliance on this document without written authorization and adaptation by Kimley-Horn and Associates, Inc. shall be without liability to Kimley-Horn and Associates, Inc.



SURVEY NOTE:
 EXISTING TOPOGRAPHICAL INFORMATION IS BASED ON A TOPOGRAPHIC SURVEY OBTAINED ON 02/23/2023 BY C&P PROFESSIONAL LAND SURVEYORS, 333 S. WHITE STREET, WAKE FOREST, NC 27888. PHONE: (919) 556-3148. CONTRACTOR SHALL BE RESPONSIBLE FOR VERIFYING ALL EXISTING INFORMATION. DEPICTED OR NOT, PRIOR TO CONSTRUCTION AND REPORT POTENTIAL CONFLICTS TO OWNER AND ENGINEER.



Kimley >>> Horn

© 2023 KIMLEY-HORN AND ASSOCIATES, INC.
 #F-0102 WWW.KIMLEY-HORN.COM PHONE: 919-677-2000 FAX: 919-677-2050
 421 FAYETTEVILLE STREET, SUITE 800, RALEIGH, NC 27601

THE LEARNING CENTER ROLESVILLE
 PREPARED FOR
ROLESVILLE, LLC.
 TOWN OF ROLESVILLE NORTH CAROLINA

No.	REVISIONS	DATE	BY
7			JAA
6			JAA
5			JAA
4			JAA
3			JAA
2			JAA
1			JAA

TOWN COMMENTS
TOWN COMMENTS

DATE
DATE

RHA PROJECT
016485000

DATE
10/31/2023

SCALE
AS SHOWN

DESIGNED BY
JAA

DRAWN BY
JAA

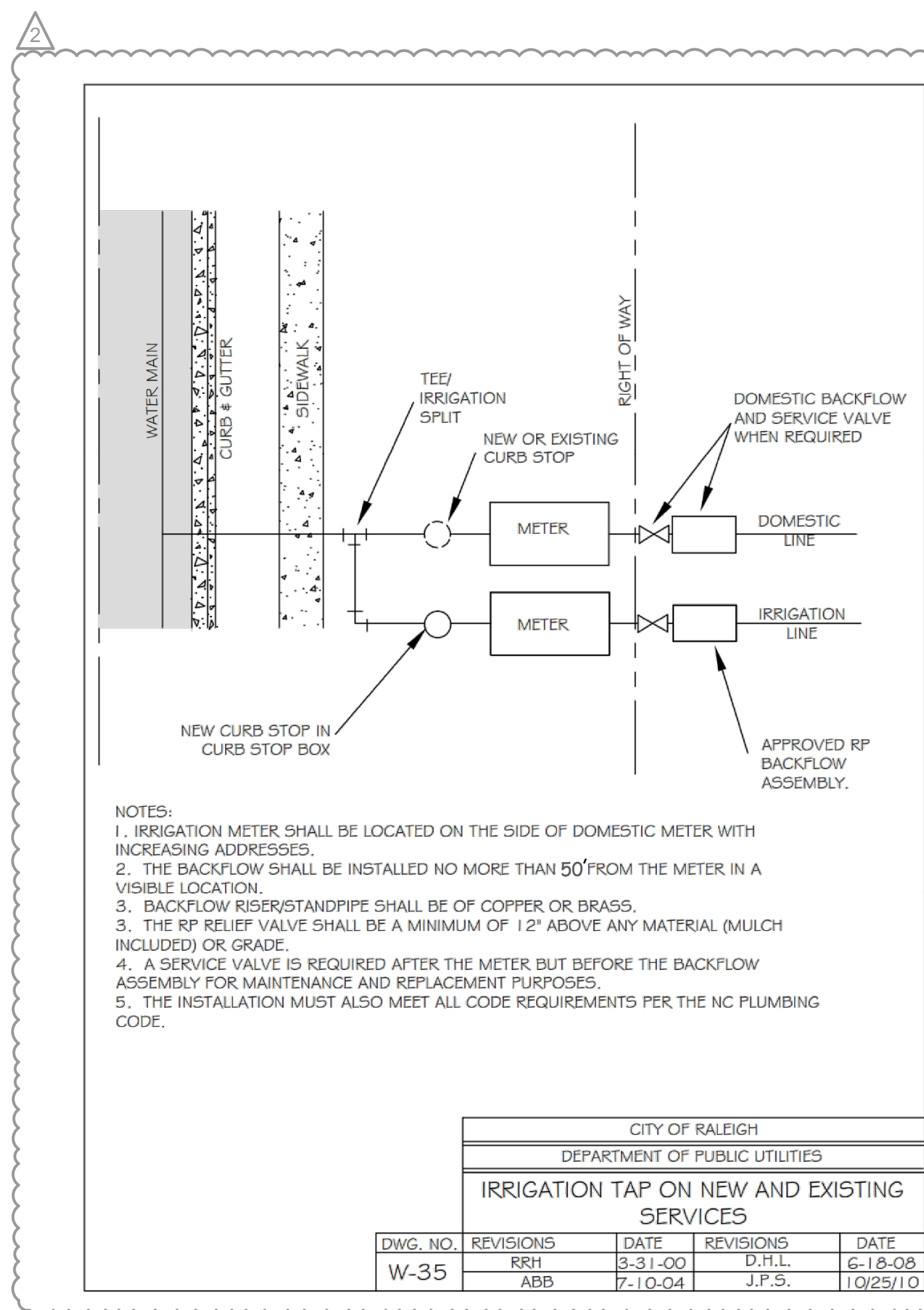
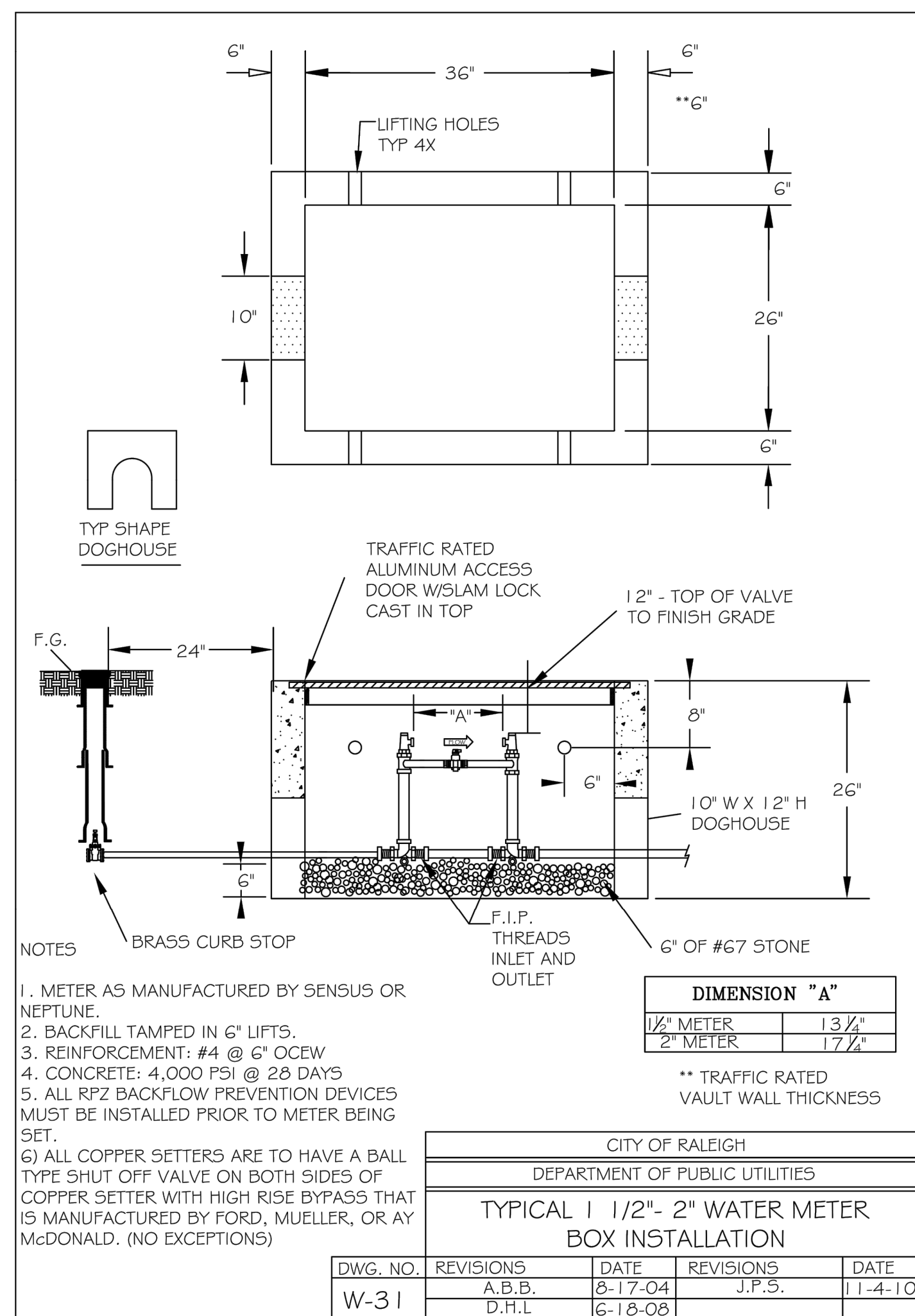
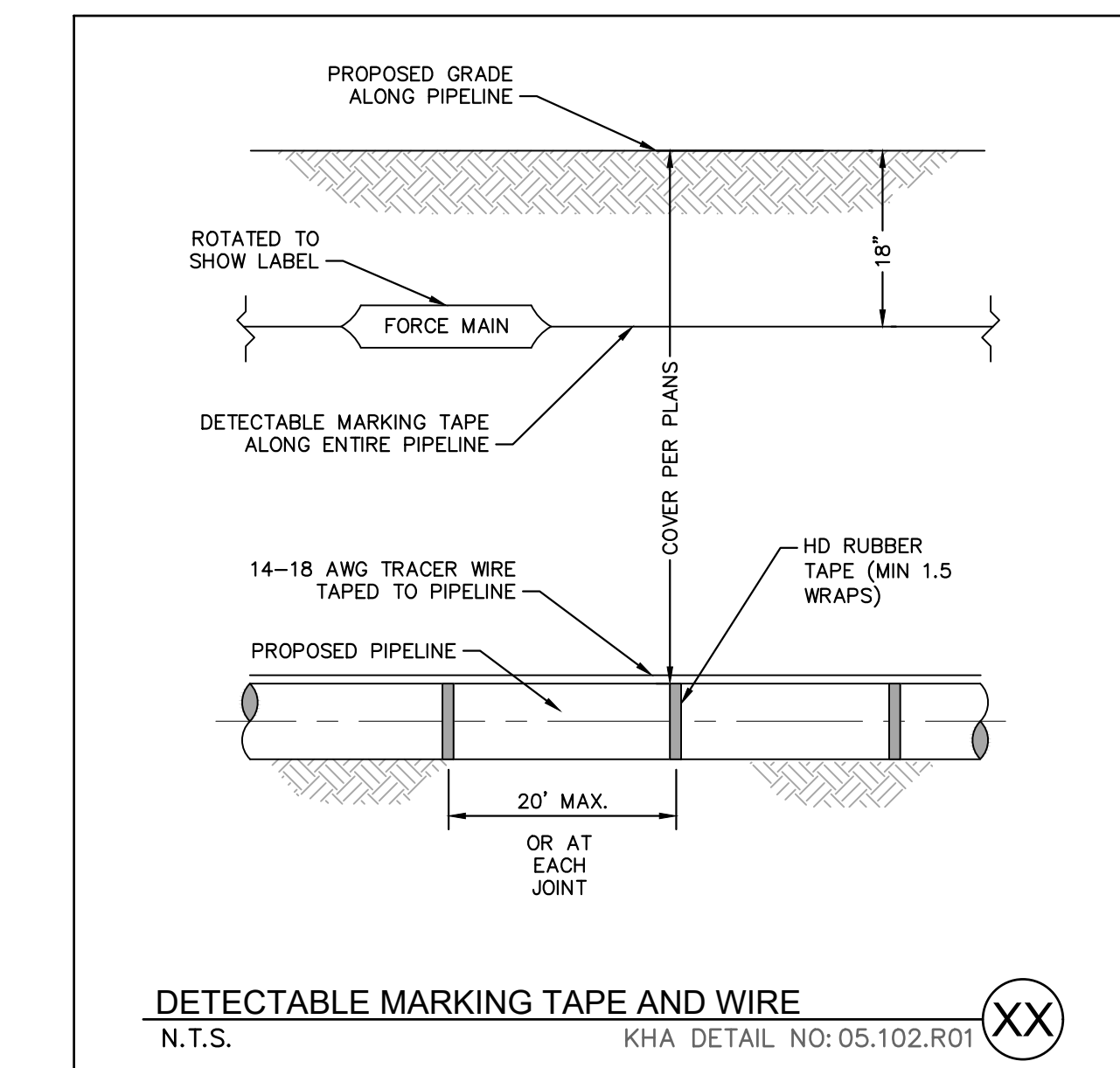
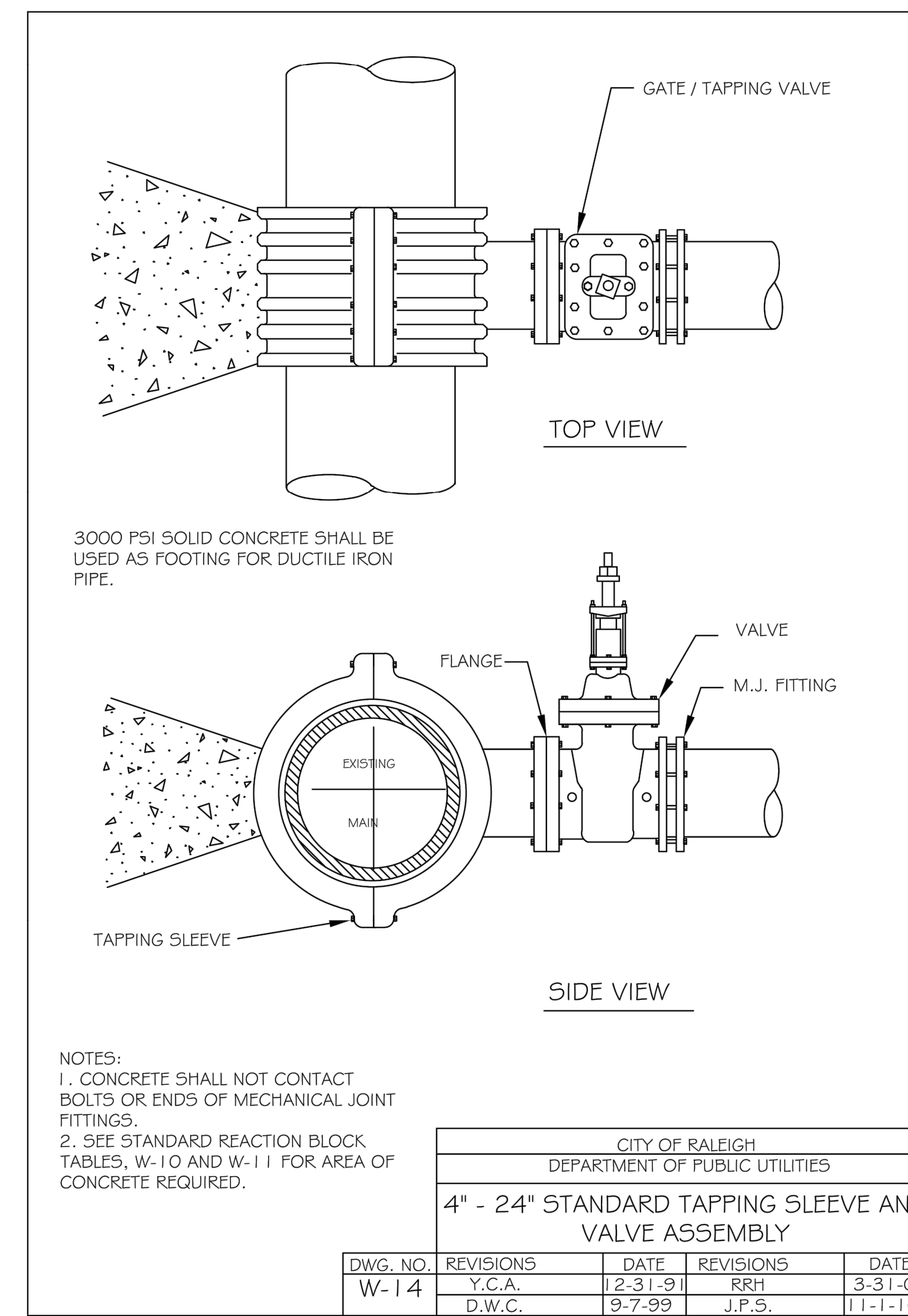
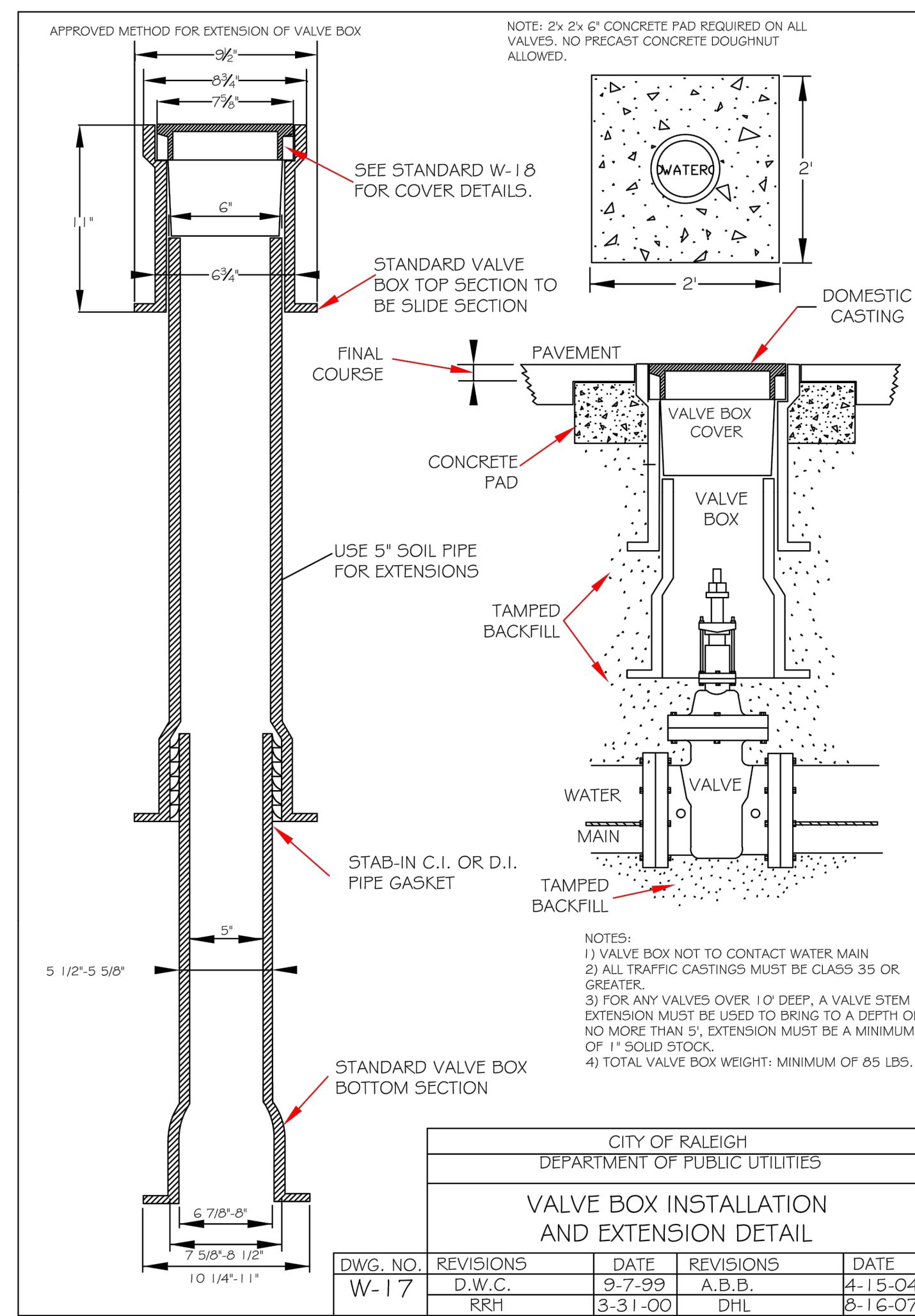
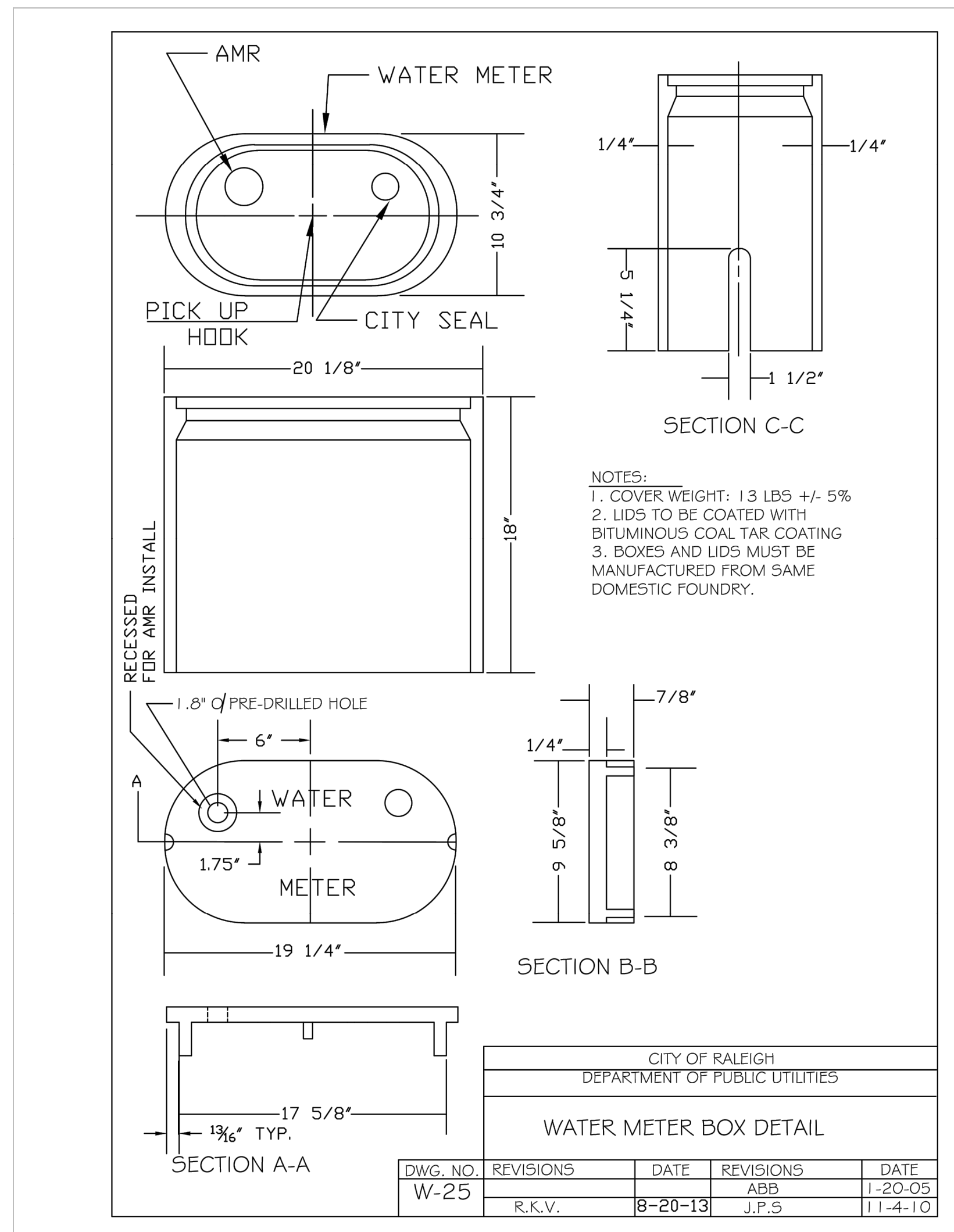
CHECKED BY
COB

WATER DETAILS

SDP-23-07

C11.0

Plotted By: Alexander, Jamal Sheet Set: THE LEARNING CENTER ROLESVILLE Layout: C11.1 WATER DETAILS March 01, 2024 05:23:27pm K:\RAL_LDEV\013031004_Rolesville_Learning_Center\P10_CAD Files\PlanSheets\C11.3 WATER DETAILS.dwg
 This document, together with the concepts and designs presented herein, is intended only for the specific purpose and client for which it was prepared. Reuse of and improper reliance on this document without written authorization and adaptation by Kimley-Horn and Associates, Inc. shall be without liability to Kimley-Horn and Associates, Inc.



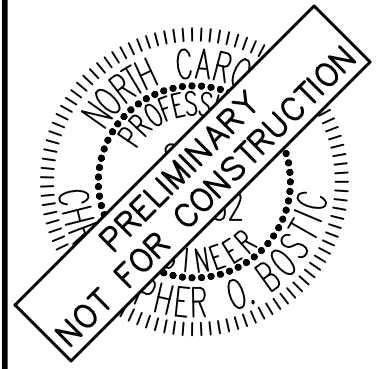
SURVEY NOTE:
 1. IRRIGATION METER SHALL BE LOCATED ON THE SIDE OF DOMESTIC METER WITH INCREASING ADDRESSES.
 2. THE BACKFLOW SHALL BE INSTALLED NO MORE THAN 50' FROM THE METER IN A VISIBLE LOCATION.
 3. BACKFLOW RISER/STANDPIPE SHALL BE OF COPPER OR BRASS.
 4. THE RP RELIEF VALVE SHALL BE A MINIMUM OF 12" ABOVE ANY MATERIAL (MULCH INCLUDED) OR GRADE.
 5. A SERVICE VALVE IS REQUIRED AFTER THE METER BUT BEFORE THE BACKFLOW ASSEMBLY FOR MAINTENANCE AND REPLACEMENT PURPOSES.
 6. THE INSTALLATION MUST ALSO MEET ALL CODE REQUIREMENTS PER THE NC PLUMBING CODE.



No.	REVISIONS	DATE	BY
7			
6			
5			
4			
3			
2			
1			

Kimley»Horn

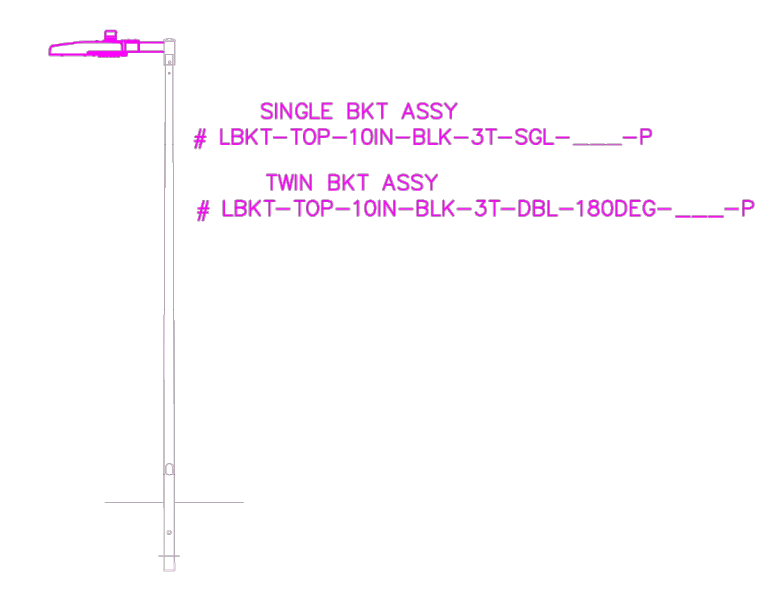
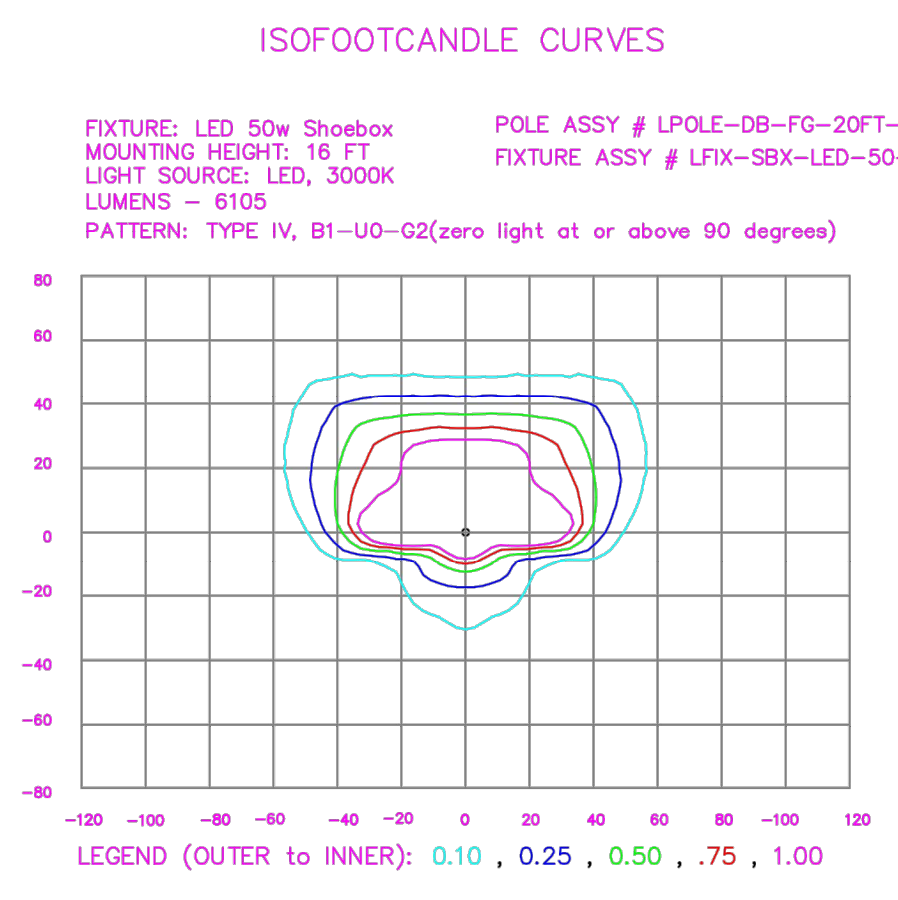
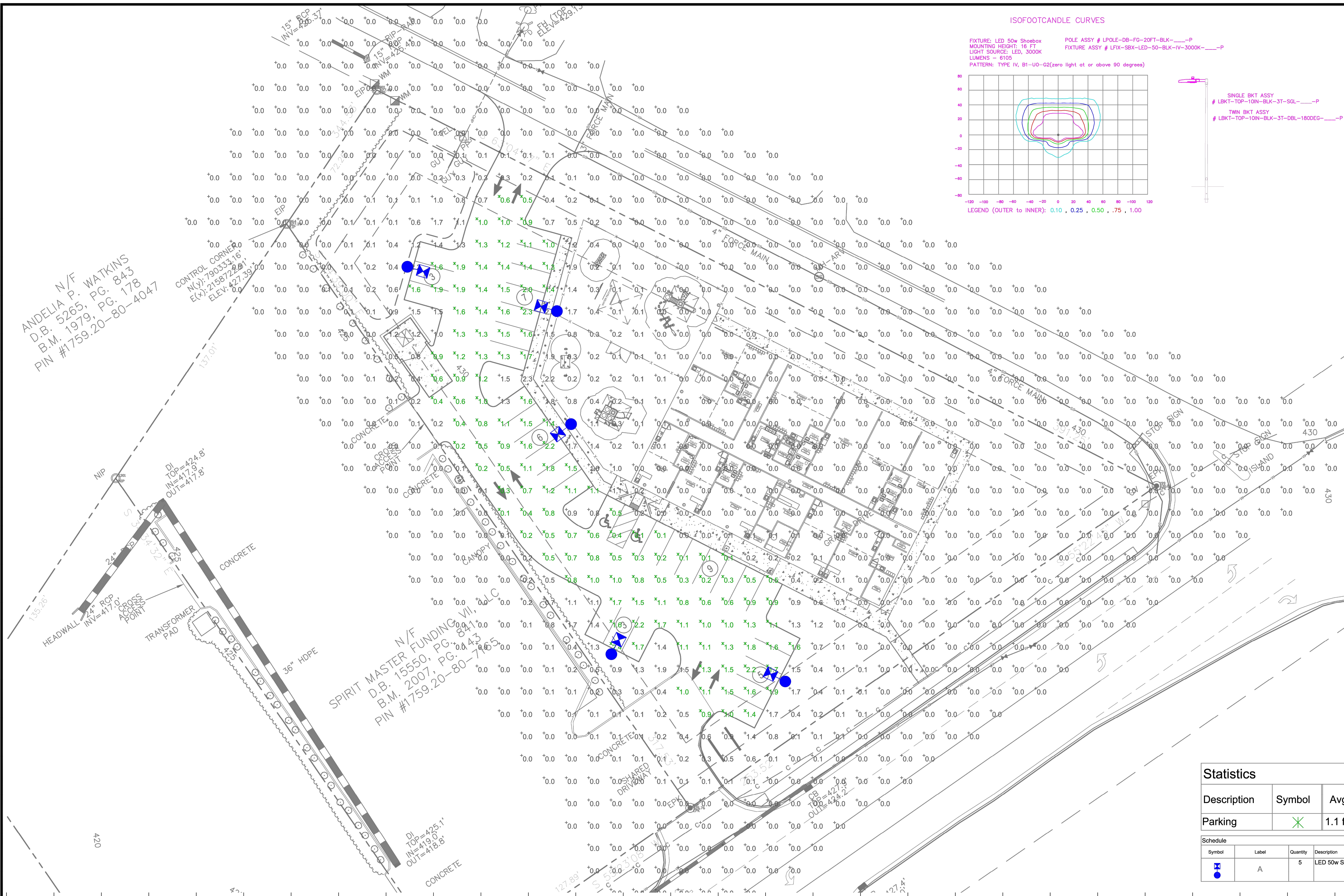
© 2023 KIMLEY-HORN AND ASSOCIATES, INC.
 WWW.KIMLEY-HORN.COM PHONE: 919.677.2000 FAX: 919.677.2050
 421 FAYETTEVILLE STREET, SUITE 600, RALEIGH, NC 27601



KHA PROJECT	016485000
DATE	10/31/2023
SCALE	AS SHOWN
DESIGNED BY	JAA
DRAWN BY	JAA
CHECKED BY	COE

WATER DETAILS

THE LEARNING CENTER ROLESVILLE
 PREPARED FOR
ROLESVILLE, LLC.
 NORTH CAROLINA



Outdoor Lighting

PEDESTRIAN SHOEBOX LED
(Meets Dark Sky Criteria)

LED (Light-emitting diode)	50 watts
Mounting height	12' - 17'
Color	Black
Pole	Aluminum Flangeless Concrete Decorative Aluminum
Applications	Neighborhoods Parks Shopping centers

Light source: LED (Aria®)
Wattage: 50 watts
Lumens: 5,100 lumen
Light pattern: IESNA Type IV
IESNA cutoff classification: Full cutoff
BUG rating: Type IV - B1 UGG2
Color temperature: 3,000K (14,000K)

POLE AVAILABLE	MOUNTING HEIGHT	COLOR
Aluminum	12', 15', 17'	Black
Flangeless	15'	Black
Flush Concrete	15'	Black
Decorative Aluminum	12', 15'	Black

FEATURES	BENEFITS
Touchless operation	Provides hands-free installation and service
Little or no installation cost	Free up capital for other projects
Design services by lighting professionals included	Meets industry standards and lighting ordinances
Maintenance, electricity & warranty included	Eliminates high and unexpected repair bills
One low monthly cost on your electric bill	Convenience and savings for you

DUKE ENERGY
PROGRESS

ANDELIA N/F
D.B. 5265, PG. 843
B.M. 1979, PG. 178
PIN #1759.20-80-4047

CONTROL CORNER
N(4) 7903.53.16'
E(X) 21587.22.80'
ELEV. 427.39'

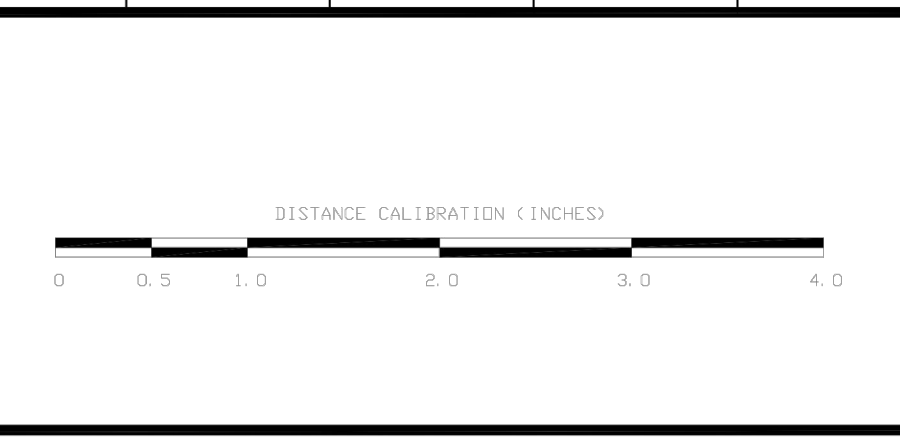
SPIRIT MASTER FUNDING VII, LLC
D.B. 15550, PG. 841
B.M. 2007, PG. 443
PIN #1759.20-80-74635

LT1.0

Statistics						
Description	Symbol	Avg	Max	Min	Max/Min	Avg/Min
Parking	✕	1.1 fc	2.4 fc	0.1 fc	24.0:1	11.0:1

Schedule						
Symbol	Label	Quantity	Description	Number Lamps	Lumens Per Lamp	Light Loss Factor
⊕	A	5	LED 50w Shoebox - Type IV - 3000K	16	382	0.85

NO.	DATE	REVISION	BY



LIGHTING DESIGN TOLERANCE
The calculated footcandle light levels in this lighting design are predicted values and are based on specific information that has been supplied to Duke Energy. Any inaccuracies in the supplied information, differences in luminaire installation, lighted area geometry including elevation differences, reflective properties of surrounding surfaces, obstructions (foliage or otherwise) in the lighted area, or lighting from sources other than listed in this design may produce different results from the predicted values. Normal tolerances of voltage, lamp output, and ballast and luminaire manufacture will also affect results.



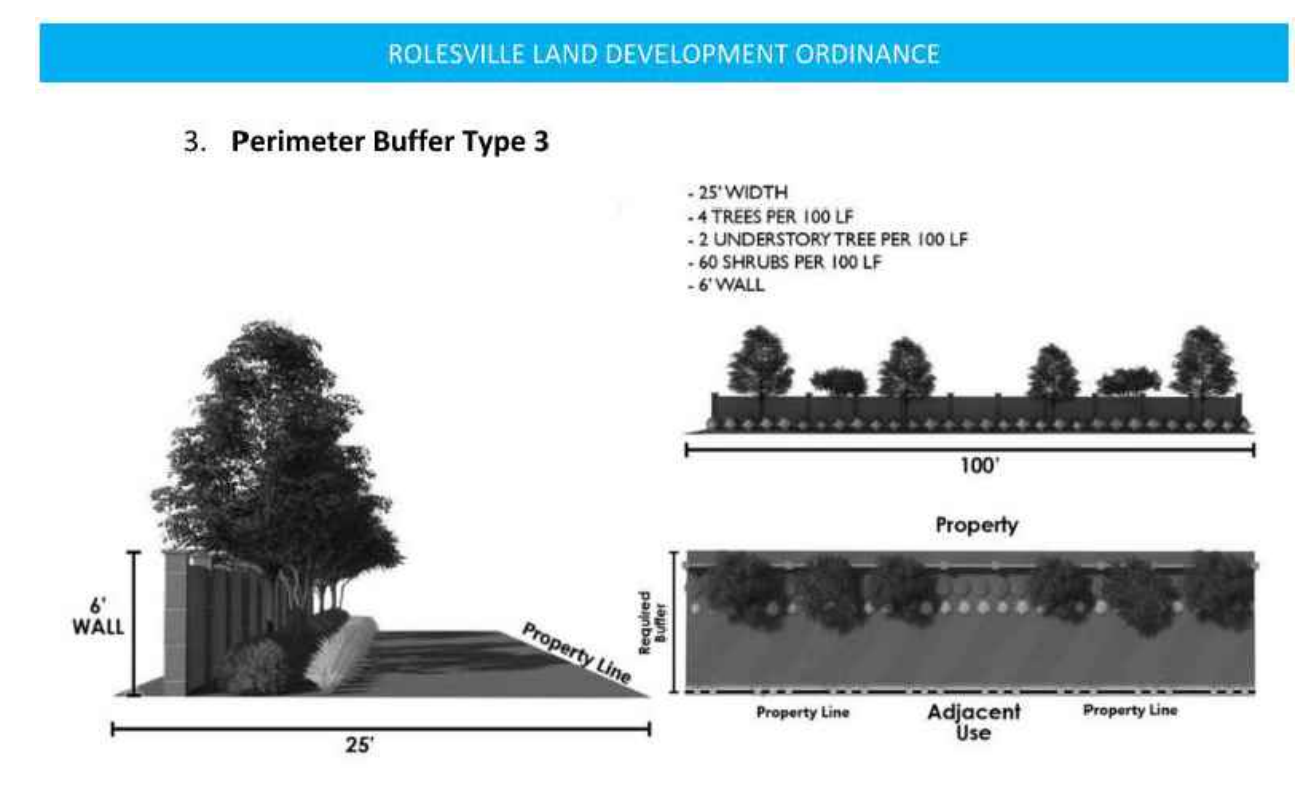
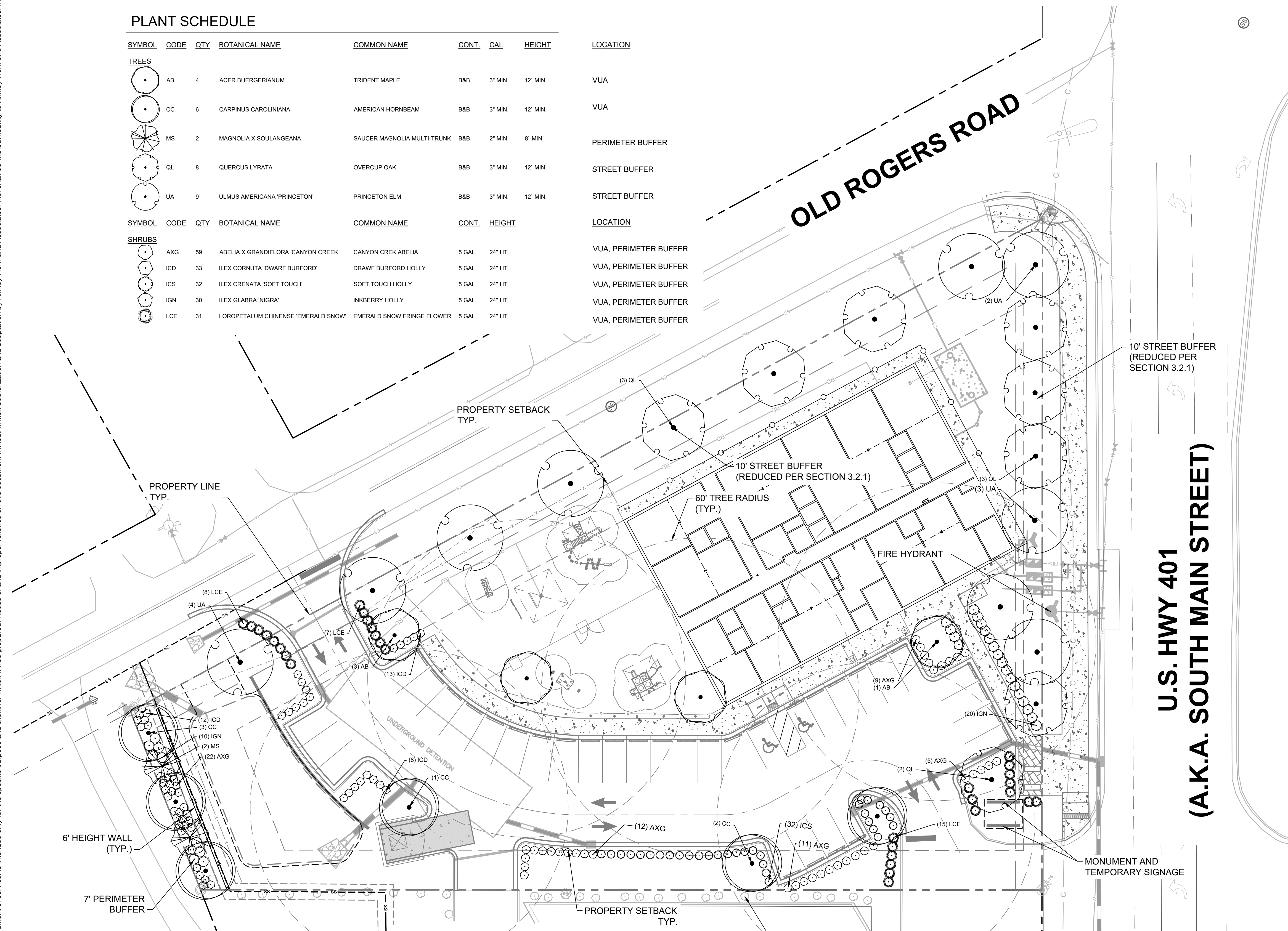
PROPRIETARY & CONFIDENTIAL
This document together with the concepts and designs presented herein, presented as an instrument of service, is the sole property of Duke Energy, and is intended only for the specific purpose and prospective client as stated in the title block of this drawing. Any use, copying, reproduction or disclosure of the drawing, design or any information contained herein by the prospective customer or other entities, including without limitation, architects, engineers, or equipment manufacturers is hereby expressly prohibited and shall not be permitted absent prior written consent from, and payment of compensation to Duke Energy. Duke Energy disclaims any liability or responsibility for any unauthorized use of or reliance on this document.

ROLESVILLE LEARNING CENTER Rolesville, NC	
SITE LIGHTING ARRANGEMENT	
Designed by	DUKE ENERGY PROGRESS LIGHTING SOLUTIONS
Reviewed by	N. Johnson Scale 1" = 20'
Date	09/25/2023 Size Drawing size "D"
Description	LED Pedestrian Shoebox
Drawing No.	23-0400A Sht. 1 OF 1

Plotted By: Alexander, Jamal Sheet Set: THE LEARNING CENTER ROLESVILLE, Layout: L1.0 LANDSCAPE PLAN, March 01, 2024, 05:23:55pm. K:\RAL_LDEV\013031004_Rolesville_Learning_Center\PT0_CAD Files\PlanSheets\L1.0 LANDSCAPE PLAN.dwg
 This document, together with the concepts and designs presented herein, is an instrument of service, is intended only for the specific purpose and client for which it was prepared. Reuse of and improper reliance on this document without written authorization and adaptation by Kimley-Horn and Associates, Inc. shall be without liability to Kimley-Horn and Associates, Inc.

PLANT SCHEDULE

SYMBOL	CODE	QTY	BOTANICAL NAME	COMMON NAME	CONT.	CAL	HEIGHT	LOCATION
TREES								
	AB	4	ACER BUERGERIANUM	TRIDENT MAPLE	B&B	3" MIN.	12' MIN.	VUA
	CC	6	CARPINUS CAROLINIANA	AMERICAN HORNBEAM	B&B	3" MIN.	12' MIN.	VUA
	MS	2	MAGNOLIA X SOULANGEANA	SAUCER MAGNOLIA MULTI-TRUNK	B&B	2" MIN.	8' MIN.	PERIMETER BUFFER
	QL	8	QUERCUS LYRATA	OVERCUP OAK	B&B	3" MIN.	12' MIN.	STREET BUFFER
	UA	9	ULMUS AMERICANA 'PRINCETON'	PRINCETON ELM	B&B	3" MIN.	12' MIN.	STREET BUFFER
SHRUBS								
	AXG	59	ABELIA X GRANDIFLORA 'CANYON CREEK'	CANYON CREEK ABELIA	5 GAL.	24" HT.		VUA, PERIMETER BUFFER
	ICD	33	ILEX CORNUTA 'DWARF BURFORD'	DRAWF BURFORD HOLLY	5 GAL.	24" HT.		VUA, PERIMETER BUFFER
	ICS	32	ILEX CRENATA 'SOFT TOUCH'	SOFT TOUCH HOLLY	5 GAL.	24" HT.		VUA, PERIMETER BUFFER
	IGN	30	ILEX GLABRA 'NIGRA'	INKBERRY HOLLY	5 GAL.	24" HT.		VUA, PERIMETER BUFFER
	LCE	31	LOROPETALUM CHINENSE 'EMERALD SNOW'	EMERALD SNOW FRINGE FLOWER	5 GAL.	24" HT.		VUA, PERIMETER BUFFER

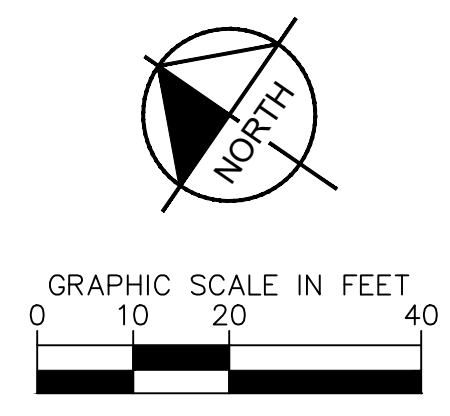


- GENERAL NOTES:**
- SEE SHEET L2.0 LANDSCAPE DETAILS FOR LANDSCAPE INSTALLATION NOTES AND DETAILS

LANDSCAPE REQUIREMENTS & CALCULATIONS

AREA TO BE LANDSCAPED	CODE REQUIREMENT	LOCATION	MEASUREMENT	QUANTITY REQUIRED	TOTAL QUANTITY PROVIDED	CODE SECTION
STREET BUFFER - 10' WIDE (REDUCED TO 65% OF WIDTH PER SECTION 3.2.1)	4 CANOPY TREE PER 100 LF	EAST - US HWY 401	*253 LF	$((253 / 100) \times 2.5) = 7$ CANOPY TREES + 1 TREE (25%)	8 CANOPY TREES	SECTION 6.2.2
STREET BUFFER - 10' WIDE	4 CANOPY TREE PER 100 LF	NORTH - OLD ROGERS ROAD	*390 LF	$((253 / 100) \times 2.5) = 7$ CANOPY TREES + 2 TREES (25%)	9 CANOPY TREES	SECTION 6.2.2
TYPE 3 BUFFER - 7' WIDE (PENDING VARIANCE)	4 CANOPY TREES, 2 UNDERSTORY TREES, AND 60 SHRUBS PER 100 LF WITH WALL AT 6' HEIGHT	WEST	*72 LF	$(72 / 100) \times 4 = 3$ CANOPY TREES	3 CANOPY TREES	SECTION 6.2.2
		WEST	*72 LF	$(72 / 100) \times 2 = 2$ UNDERSTORY TREES	2 UNDERSTORY TREES	SECTION 6.2.2
		WEST	*72 LF	$(72 / 100) \times 60 = 44$ SHRUBS	44 SHRUBS	SECTION 6.2.2
PARKING LOT	1 LARGE OR 1 MEDIUM CANOPY TREE PER PARKING ISLAND	PARKING LOT	SEE PLAN	TREES LOCATED WITHIN TERMINAL PARKING ISLANDS AND EACH PARKING SPACE TO BE WITHIN 60' OF A TREE	7 CANOPY TREES	SECTION 6.2.4

*NOTE: PER CODE SECTION 6.2.4, PARKING PERIMETER PLANTINGS SHALL CONSIST OF A SINGLE CONTINUOUS ROW OF SHRUBS PLANTED NO GREATER THAN THREE (3) FEET ON-CENTER AND WITHIN FIVE (5) FEET OF THE PARKING LOT EDGE. SHRUBS USED FOR PARKING PERIMETER PLANTING SHALL BE OF A MINIMUM HEIGHT OF THIRTY (30) INCHES ABOVE GRADE WITHIN THREE YEARS OF PLANTING. SHRUBS MAY NOT EXCEED A HEIGHT OF FOUR (4) FEET AND SHALL BE PRUNED AND MAINTAINED.

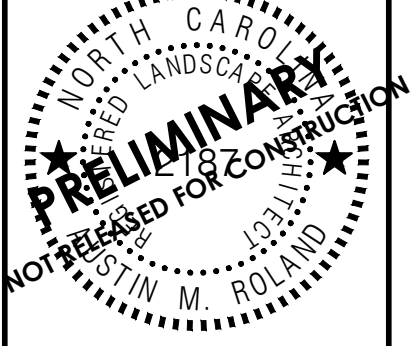


SURVEY NOTE:
 EXISTING TOPOGRAPHICAL INFORMATION IS BASED ON A TOPOGRAPHIC SURVEY OBTAINED ON 02/23/2023 BY CMP PROFESSIONAL LAND SURVEYORS, 333 S. WHITE STREET, WAKE FOREST, NC, 27888. PHONE: (919) 556-3148. CONTRACTOR SHALL BE RESPONSIBLE FOR VERIFYING ALL EXISTING INFORMATION, DEPICTED OR NOT, PRIOR TO CONSTRUCTION AND REPORT POTENTIAL CONFLICTS TO OWNER AND ENGINEER.



NO.	REVISIONS	DATE	BY
1	TOWN COMMENTS	03/01/2024	JAA
2	TOWN COMMENTS	01/02/2024	JAA

Kimley»Horn
 © 2023 KIMLEY-HORN AND ASSOCIATES, INC.
 #F-0102 WWW.KIMLEY-HORN.COM PHONE: 919.677.2000 FAX: 919.677.2050
 421 FAYETTEVILLE STREET, SUITE 600, RALEIGH, NC 27601



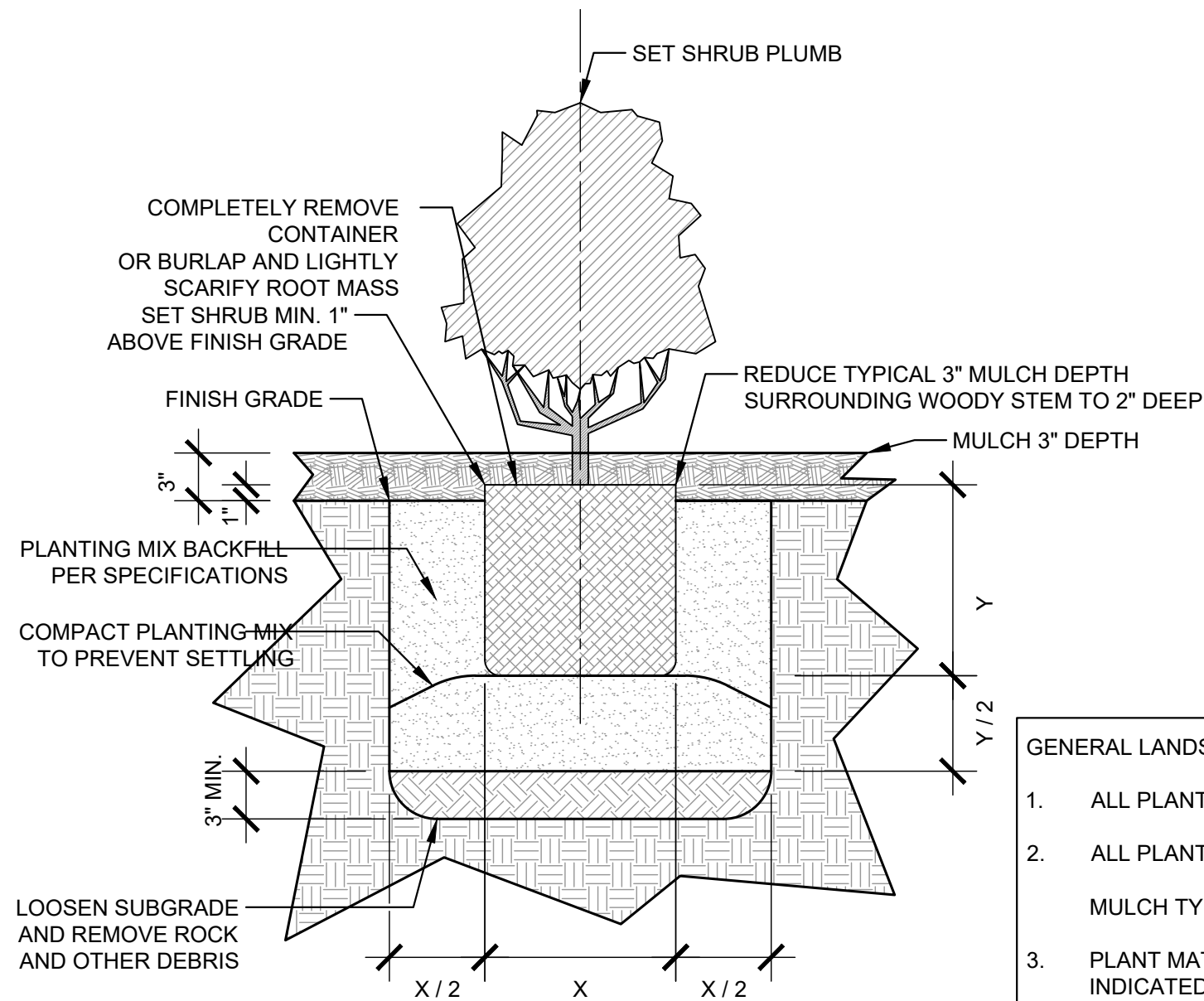
KHA PROJECT	DATE	SCALE	DESIGNED BY	DRAWN BY	CHECKED BY
016485000	10/31/2023	AS SHOWN	JAA	JAA	COE

LANDSCAPE PLAN

THE LEARNING CENTER ROLESVILLE
 PREPARED FOR
ROLESVILLE, LLC.
 TOWN OF ROLESVILLE NORTH CAROLINA

SHEET NUMBER
L1.0

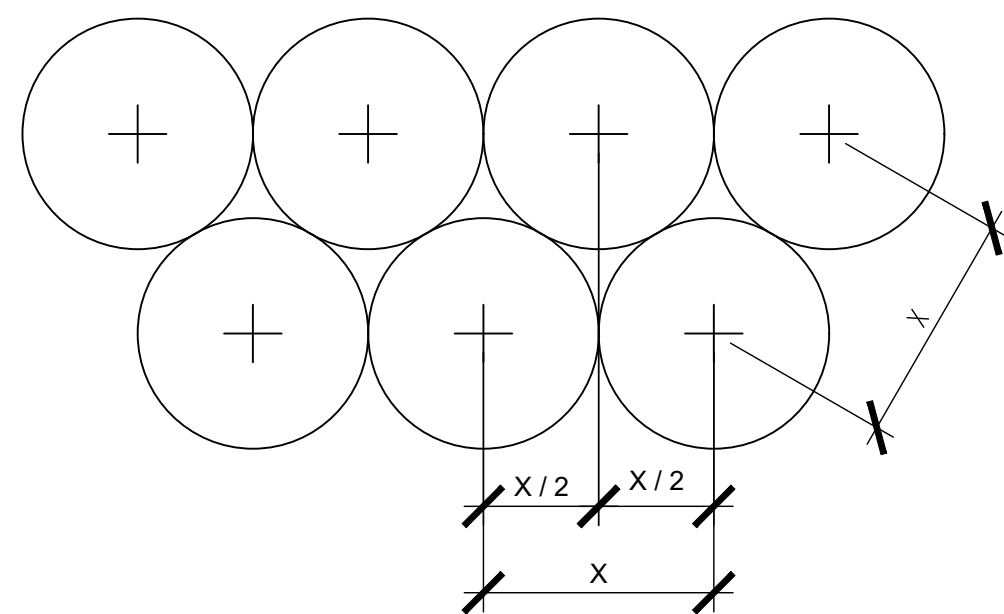
Plotted By: Alexander, Jamal Sheet Set: THE LEARNING CENTER ROLESVILLE Layout: L2.LANDSCAPE DETAILS March 01, 2024 05:24:06pm K:\RAL_LDEV\13031004_Rolesville_Learning_Center\PT0_CAD Files\PlanSheets\L2.LANDSCAPE DETAILS.dwg
 This document, together with the concepts and designs presented herein, is an instrument of service, is intended only for the specific purpose and client for which it was prepared. Reuse of and improper reliance on this document without written authorization and adaptation by Kimley-Horn and Associates, Inc. shall be without liability to Kimley-Horn and Associates, Inc.



1
LS-2
SECTION
SCALE: 1"=1'-0"

GENERAL LANDSCAPE NOTES:

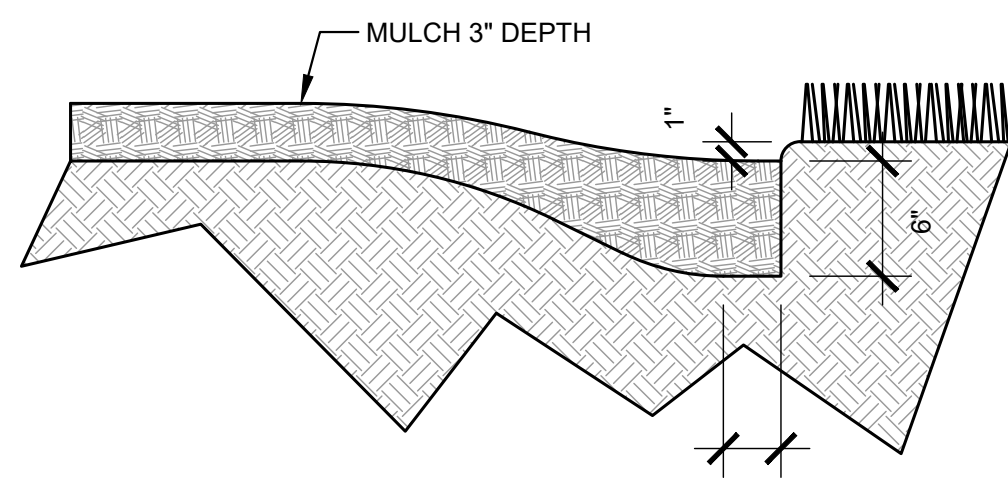
- ALL PLANT MATERIAL PRICING SHALL INCLUDE MULCH, BED PREPARATION, AND STAKING.
- ALL PLANTING BEDS SHALL RECEIVE 3" (THREE INCHES) OF MULCH.
MULCH TYPE FOR PROJECT: DOUBLE SHREDDED HARDWOOD
- PLANT MATERIAL SPACING SHOWN ON LANDSCAPE PLANS SHALL OVERRIDE TYPICAL PLANT SPACING INDICATED ON PLANT SCHEDULE. LANDSCAPE CONTRACTOR RESPONSIBLE FOR VERIFYING ALL PLANT SPACING AND MAKING MINOR FIELD ADJUSTMENTS DUE TO UTILITY CONFLICTS.



PLANT SPACING NOTES:

- SEE PLANTING PLAN FOR SHRUB AND GROUND COVER AREAS.
- PLANT MATERIAL SHALL BE INSTALLED IN STRAIGHT AND PARALLEL ROWS UNLESS OTHERWISE SHOWN ON DRAWINGS.
- SEE PLANTING PLAN AND / OR PLANT SCHEDULE FOR ACTUAL PLANT SPACING.

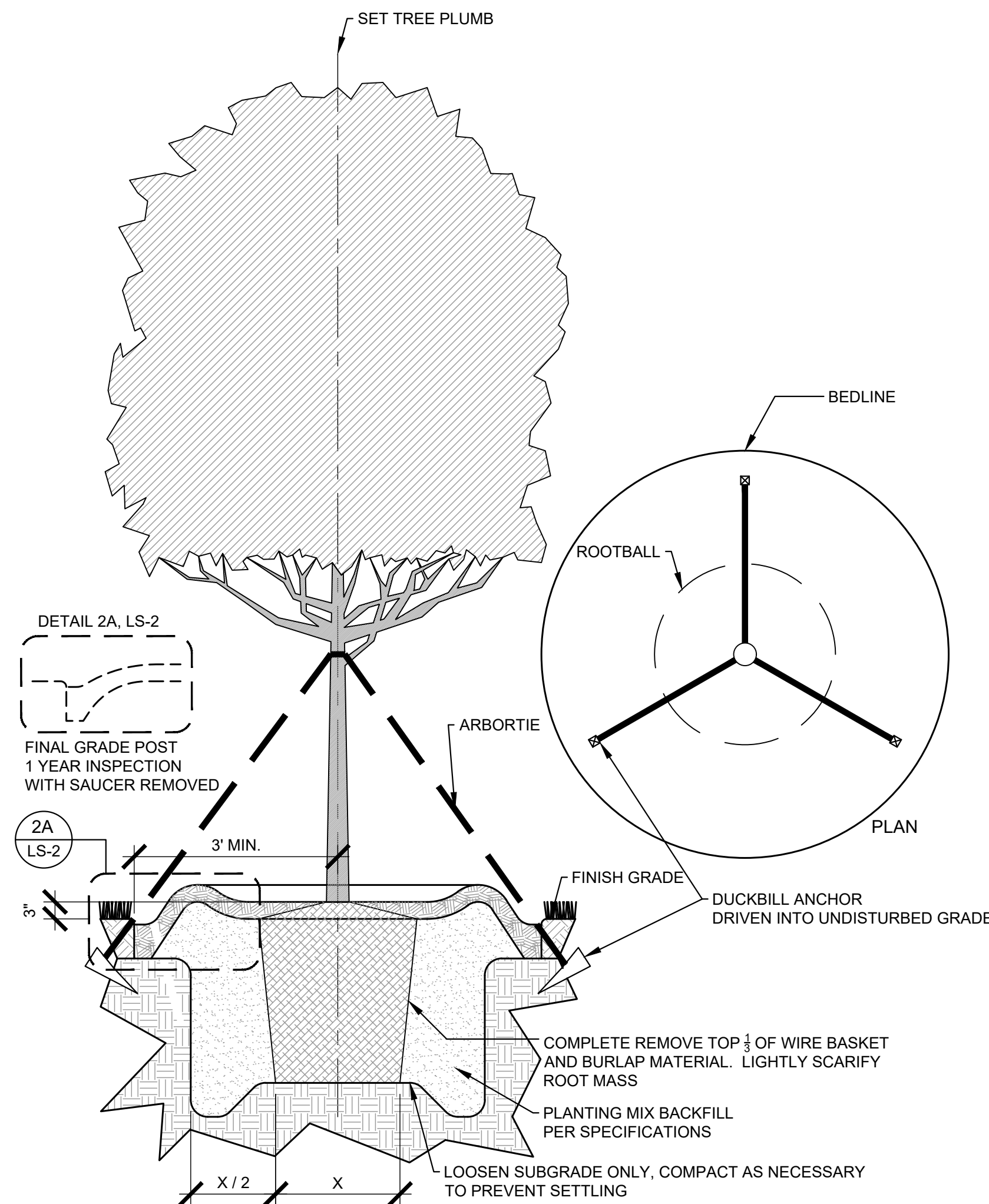
2
LS-2
PLAN
SCALE: 1/2"=1'-0"



PLANTING BED TRENCH EDGING NOTE:

- TRENCH EDGE SHALL BE LOCATED BETWEEN PLANTING BED AND ALL TURF OR NATIVE GRASS AREAS.
- TRENCH EDGE SHALL BE CONSTRUCTED ALONG ALL HARDSCAPE AREAS FOR SIMILAR CONDITION.
- MAINTAIN POSITIVE DRAINAGE IN ALL PLANTING BEDS.

3
LS-2
SECTION
SCALE: 1"=1'-0"



TREE PLANTING NOTES:

- 4"-6" DIAMETER RIVER ROCK (INSIDE THE BUILDING PAD) OR 3" MINIMUM OF HARDWOOD BARK MULCH OR AS SPECIFIED (IN OUTLYING PLANT BEDS) (MULCH TYPE FOR PROJECT: SHREDDED CYPRESS MULCH)
- TOP OF ROOTBALL MIN. 1" ABOVE FINISHED GRADE
- ROOTBALLS GREATER THEN 24" DIAMETER SHALL BE PLACED ON MOUND OF UNDISTURBED SOIL TO PREVENT SETTLING. ROOTBALLS SMALLER THEN 24" IN DIAMETER MAY SIT ON COMPACTED EARTH.

4
LS-2
PLAN & SECTION
SCALE: 1/2"=1'-0"

GENERAL LANDSCAPE NOTES:

- ALL PLANTS MUST BE HEALTHY, VIGOROUS MATERIAL, FREE OF PESTS AND DISEASE.
- ALL PLANTS MUST BE CONTAINER GROWN OR BALLED AND BURLAPPED AS INDICATED IN THE PLANT LIST.
- ALL TREES MUST HAVE A STRAIGHT TRUNK AND FULL HEADED AND MEET ALL REQUIREMENTS SPECIFIED.
- ALL PLANTS ARE SUBJECT TO THE APPROVAL OF THE LANDSCAPE ARCHITECT BEFORE, DURING, AND AFTER INSTALLATION.
- ALL TREES MUST BE GUYED OR STAKED AS SHOWN IN THE DETAILS.
- ALL SHADE TREES LOCATED WITHIN VEHICLE SIGHT TRIANGLES SHALL BE BRANCHED MIN. 8" (MEASURED FROM ADJACENT PROJECTED CURB LINE ELEVATION) PER ANSI Z60.1 STANDARDS FOR HEIGHT OF BRANCHING - STREET TREES.
- ALL PLANTING AREAS MUST BE COMPLETELY MULCHED AS SPECIFIED.
- PRIOR TO CONSTRUCTION, THE CONTRACTOR SHALL BE RESPONSIBLE FOR LOCATING ALL UNDERGROUND UTILITIES AND SHALL AVOID DAMAGE TO ALL UTILITIES AND SHALL AVOID DAMAGE TO ALL UTILITIES DURING THE COURSE OF THE WORK. THE CONTRACTOR IS RESPONSIBLE FOR REPAIRING ANY AND ALL DAMAGE TO UTILITIES, STRUCTURES, SITE APPURTENANCES, ETC. WHICH OCCURS AS A RESULT OF THE LANDSCAPE CONSTRUCTION.
- THE CONTRACTOR IS RESPONSIBLE FOR VERIFYING ALL QUANTITIES SHOWN ON THESE PLANS BEFORE PRICING THE WORK. ANY DISCREPANCIES BETWEEN QUANTITIES ON PLAN AND PLANT LIST SHALL BE BROUGHT TO THE ATTENTION OF WAKE COUNTY INSPECTOR AND ANY FIELD ADJUSTMENTS MUST BE AUTHORIZED PRIOR TO PLANTING.
- THE CONTRACTOR IS RESPONSIBLE FOR FULLY MAINTAINING ALL PLANTING (INCLUDING BUT NOT LIMITED TO: WATERING, SPRAYING, MULCHING, FERTILIZING, ETC.) OF THE PLANTING AREAS AND LAWN UNTIL SUBSTANTIAL COMPLETION.
- CONTRACTOR SHALL INSTALL AND MAINTAIN TWO (2) GATORBAGS PER LARGE CANOPY TREE
- THE CONTRACTOR SHALL COMPLETELY GUARANTEE ALL PLANT MATERIAL FOR A PERIOD OF TWO (2) YEAR BEGINNING ON THE DATE OF SUBSTANTIAL COMPLETION. THE CONTRACTOR SHALL PROMPTLY MAKE ALL REPLACEMENTS BEFORE OR AT THE END OF THE GUARANTEE PERIOD.
- LANDSCAPE ARCHITECT SHALL APPROVE ALL BED LAYOUT STAKING PRIOR TO INSTALLATION OF PLANT MATERIAL.
- THE LANDSCAPE ARCHITECT SHALL APPROVE THE STAKING LOCATION OF ALL TREES PRIOR TO INSTALLATION.
- AFTER BEING DUG AT THE NURSERY SOURCE, ALL TREES IN LEAF SHALL BE ACCLIMATED FOR TWO (2) WEEKS UNDER A MIST SYSTEM PRIOR TO INSTALLATION.
- ANY PLANT MATERIAL WHICH DIES, TURNS BROWN, OR DEFOLIATES (PRIOR TO SUBSTANTIAL COMPLETION OF THE WORK) SHALL BE PROMPTLY REMOVED FROM THE SITE AND REPLACED WITH MATERIAL OF THE SAME SPECIES, QUANTITY, AND SIZE MEETING ALL PLANT SCHEDULE SPECIFICATIONS.
- STANDARDS SET FORTH IN "AMERICAN STANDARD FOR NURSERY STOCK" REPRESENT GUIDELINE SPECIFICATIONS ONLY AND SHALL CONSTITUTE MINIMUM QUALITY REQUIREMENTS FOR PLANT MATERIAL.
- ALL SHRUB, GROUND COVER AND SEASONAL COLOR ANNUAL PLANTING BEDS ARE TO BE COMPLETELY COVERED WITH DOUBLE SHREDDED HARDWOOD OR CURRENT CITY STANDARD TO A DEPTH OF THREE (3) INCHES.
- LOCATIONS OF EXISTING BURIED UTILITY LINES SHOWN ON THE PLANS ARE BASED UPON BEST AVAILABLE INFORMATION AND ARE TO BE CONSIDERED APPROXIMATE. IT SHALL BE THE RESPONSIBILITY OF THE CONTRACTOR TO VERIFY THE LOCATIONS OF UTILITY LINES AND ADJACENT TO THE WORK AREA. THE CONTRACTOR IS RESPONSIBLE FOR THE PROTECTION OF ALL UTILITY LINES DURING THE CONSTRUCTION PERIOD.
- SAFE, CLEARLY MARKED PEDESTRIAN AND VEHICULAR ACCESS TO ALL ADJACENT PROPERTIES MUST BE MAINTAINED THROUGHOUT THE CONSTRUCTION PROCESS.
- ALL PLANT MATERIAL QUANTITIES SHOWN ARE APPROXIMATE. CONTRACTOR SHALL BE RESPONSIBLE FOR COMPLETE COVERAGE OF ALL PLANTING BEDS AT SPACING SHOWN.
- THE TOP OF ALL ROOT BALLS SHALL BEAR THE SAME RELATIONSHIP TO FINISHED GRADE, AS BORN TO PREVIOUS GRADE AND GROWING CONDITIONS.
- ALL ROOT BALLS REMOVED FROM CONTAINERS SHALL BE SCARIFIED PRIOR TO BACKFILLING.
- ALL STRAPPING AND TOP 2/3 OF WIRE BASKET MUST BE CUT AWAY AND REMOVED FROM ROOT BALL PRIOR TO BACKFILLING PLANTING PIT. REMOVE TOP 1/3 OF THE BURLAP FROM ROOT BALL.
- FOR NEW PLANTING AREAS, REMOVE ALL PAVEMENT, GRAVEL SUB-BASE AND CONSTRUCTION DEBRIS; REMOVE COMPACTED SOIL AND ADD 24" NEW TOPSOIL OR UNCOMPACT AND AMEND THE TOP 24" OF EXISTING SOIL TO MEET TOPSOIL PLANTING MIX STANDARDS FOR TREES. SEE DETAILS THIS SHEET.
- THE CONTRACTOR SHALL BE RESPONSIBLE FOR INSTALLING TREES AND SHRUBS THAT WILL MEET BOTH MINIMUM SIZE AND SPACING FOR TREE AND ZONING ORDINANCE COMPLIANCE. FAILURE TO INSTALL PLANT MATERIAL PER THIS PLAN WILL JEOPARDIZE ISSUANCE OF FINAL CERTIFICATE OF OCCUPANCY. CONTRACTOR SHALL BE RESPONSIBLE FOR SCHEDULING INSPECTIONS OF PLANT MATERIAL.
- CONTRACTOR SHALL COMPLY WITH ALL APPLICABLE CODES & ORDINANCES REGARDING LANDSCAPING. GENERAL CONTRACTOR IS TO CLEAN THE ENTIRE SITE OF ALL CONSTRUCTION DEBRIS AND TO RAKE ENTIRE SITE.
- THE CONTRACTOR SHALL INSTALL BLACK FABRIC MESH UNDER PLANTING BED MULCH TO PREVENT WEED GROWTH.
- EACH LARGE CANOPY TREE AT THE TIME OF PLANTING SHALL BE A MINIMUM OF TWO (2) INCHES IN CALIPER AND EIGHT (8)- TEN (10) FEET IN HEIGHT. WHEN MATURE, A LARGE CANOPY TREE SHOULD BE AT LEAST FORTY (40) FEET HIGH AND HAVE A MINIMUM CROWN WIDTH OF THIRTY (30) FEET. LARGE CANOPY TREES MAY BE SUBSTITUTED WITH TWO (2) UNDERSTORY TREES. HOWEVER, NO MORE THAN FIFTY (50) PERCENT OF THE REQUIRED LARGE CANOPY TREES MAY BE SUBSTITUTED. EACH UNDERSTORY TREE AT THE TIME OF PLANTING SHALL BE A MINIMUM OF ONE (1) INCH IN CALIPER AND EIGHT (8) FEET IN HEIGHT. WHEN MATURE, AN UNDERSTORY TREE SHOULD BE BETWEEN FIFTEEN (15) AND FORTY (40) FEET HEIGHT. EVERY TWO (2) UNDERSTORY TREES MAY BE SUBSTITUTED WITH ONE (1) LARGE CANOPY TREE. HOWEVER, NO MORE THAN FIFTY (50) PERCENT OF THE REQUIRED UNDERSTORY TREES MAY BE SUBSTITUTED. EACH SHRUB AT THE TIME OF PLANTING SHALL BE 3 GALLON SIZE OR LARGER. SUBSTITUTIONS SHOULD BE CONFIRMED WITH THE PLANNING DIVISION.

NOTE:
 Each large canopy tree at the time of planting shall be a minimum of two (2) inches in caliper and eight (8)- ten (10) feet in height. When mature, a large canopy tree should be at least forty (40) feet high and have a minimum crown width of thirty (30) feet. Large canopy trees may be substituted with two (2) understory trees. However, no more than fifty (50) percent of the required large canopy trees may be substituted. Each understory tree at the time of planting shall be a minimum of one (1) inch in caliper and eight (8) feet in height. When mature, an understory tree should be between fifteen (15) and forty (40) feet height. Every two (2) understory trees may be substituted with one (1) large canopy tree. However, no more than fifty (50) percent of the required understory trees may be substituted. Each shrub at the time of planting shall be 3 gallon size or larger. Substitutions should be confirmed with the Planning Division.

7	6	5	4	3	2	1	No.	TOWN COMMENTS	TOWN COMMENTS	DATE

© 2023 KIMLEY-HORN AND ASSOCIATES, INC.
 #F-0102 WWW.KIMLEY-HORN.COM PHONE: 919.677.2000 FAX: 919.677.2050
 421 FAYETTEVILLE STREET, SUITE 800, RALEIGH, NC 27601

NOT RECORDED FOR PUBLIC RECORD

KHA PROJECT	016485000
DATE	10/31/2023
SCALE	AS SHOWN
DESIGNED BY	JAA
DRAWN BY	JAA
CHECKED BY	COE

LANDSCAPE DETAILS

THE LEARNING CENTER ROLESVILLE
 PREPARED FOR
ROLESVILLE, LLC.
 TOWN OF ROLESVILLE

NORTH CAROLINA

SHEET NUMBER
L2.0



H:\DRAWINGS\TILE - THE LEARNING EXPERIENCE\TILE - NORTH CAROLINA\TILENC23-228 - TILE ROLESVILLE US HWY 401 S MAIN ST\SPACE PLANS\TILENC23-228-SA-1.DWG CSCHWEIKER PLOTTED: 12/21/2023

LICENSING CALCULATIONS								
Learning Experience, Roseville, North Carolina								
ROOM NAME	STATE REQUIRED AREA	NET AREA	ACTUAL AREA	RATIO	# OF CHILDREN	#OF TEACHERS	TEACHER RATIO	AGE GROUP
INFANTS A	440	493	552	55	8	2	1/4	6W-12MO
INFANTS B	440	482	541	55	8	2	1/4	6MO-18MO
TODDLERS A	350	358	417	35	10	2	1/5	18-24 MO
TODDLERS B	350	362	421	35	10	2	1/5	18-24MO
TWADDLERS	560	570	629	35	16	2	1/8	24-30 MO
PREPPERS	560	575	623	35	16	2	1/8	30-36 MO
PRE-SCHOOL 1	630	644	656	35	18	2	1/9	3-5 Y
PRE-SCHOOL 2	840	847	859	35	24	2	1/12	4-5Y
PRE-SCHOOL 3	630	637	649	35	18	2	1/9	3-5Y
PRE K-K	490	502	522	35	14	1	1/14	5-6Y
MBB/PRE-SCHOOL	735	740	752	35	21	2	VARIES	VARIES
TOTALS		6210			163	21		
					2	ADMIN STAFF		
					TOTAL	186		

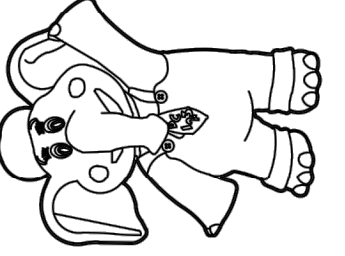
1. CONTRACTOR SHALL SUPERVISE AND DIRECT THE WORK USING THE CONTRACTOR'S BEST SKILL AND ATTENTION. THE CONTRACTOR SHALL BE SOLELY RESPONSIBLE AND HAVE CONTROL OVER CONSTRUCTION MEANS, METHODS, TECHNIQUES, SEQUENCE, AND JOB SITE SAFETY.
2. GC MUST PROVIDE & INSTALL ALL PRODUCTS PER PLANS. ONLY SUBSTITUTED PRODUCTS NEED TO BE SUBMITTED TO THE ARCHITECT FOR APPROVAL. UNAPPROVED SUBSTITUTIONS WILL BE REPLACED AT THE EXPENSE OF THE GC.
3. VERBAL REPRESENTATION HAS NO VALUE AND ALL REQUESTS TO CHANGE ANY PRODUCTS OR SPECIFICATIONS PER PLANS, MUST BE SUBMITTED IN WRITING TO THE ARCHITECT & TLE FOR APPROVAL.



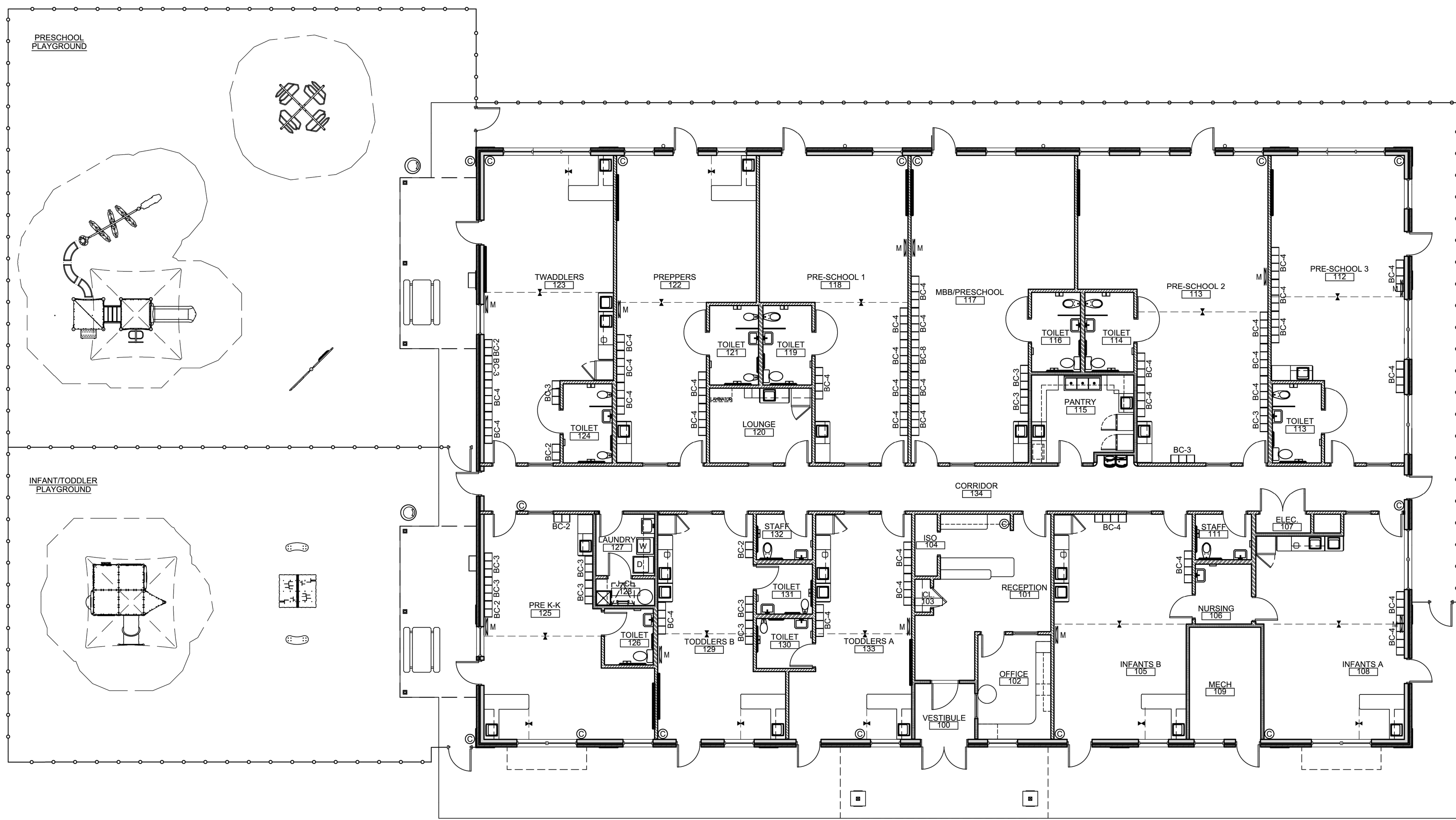
Jarmel Kizel
 ARCHITECTS AND ENGINEERS INC.
 42 OKNER PARKWAY
 LIVINGSTON, NEW JERSEY 07039
 TEL: 973-994-9669
 FAX: 973-994-4069
 www.jarmelkizel.com

Architecture
 Engineering
 Interior Design
 Implementation Services

THE LEARNING EXPERIENCE ACADEMY OF EARLY EDUCATION



US Hwy 401 S Main St
 ROLESVILLE NORTH CAROLINA



1 FLOOR PLAN
 SCALE: 1/8"=1'-0"

ISSUE			
NO.	DATE	DESCRIPTION	INT.

REVISION			
NO.	DATE	DESCRIPTION	INT.

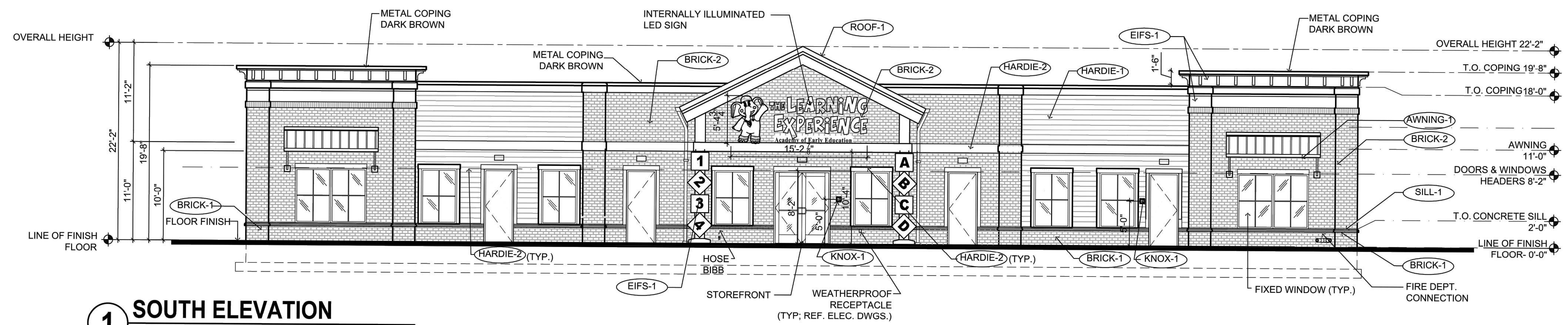
PROFESSIONAL CERTIFICATION
 NAME OF LICENSEE:
 MATTHEW B. JARME
 LICENSE NUMBER: 10120

Project Number: TLENC23-228	Scale: AS NOTED
Drawn By: BB	Approved By: ---

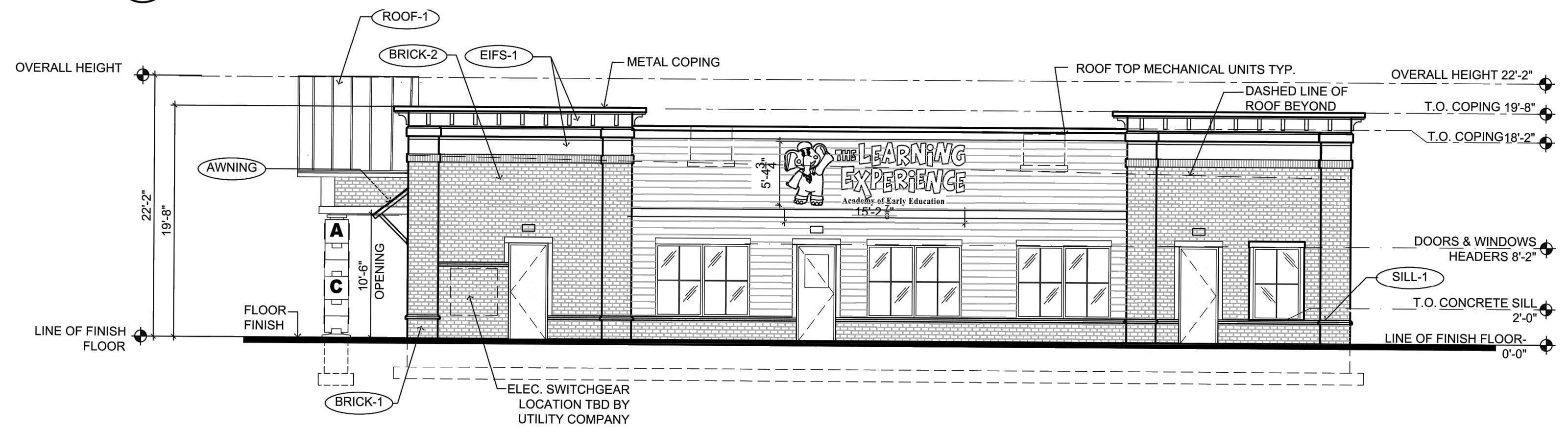
Drawing Name:
PROPOSED FLOOR PLAN

Drawing Number:
SA-1.1

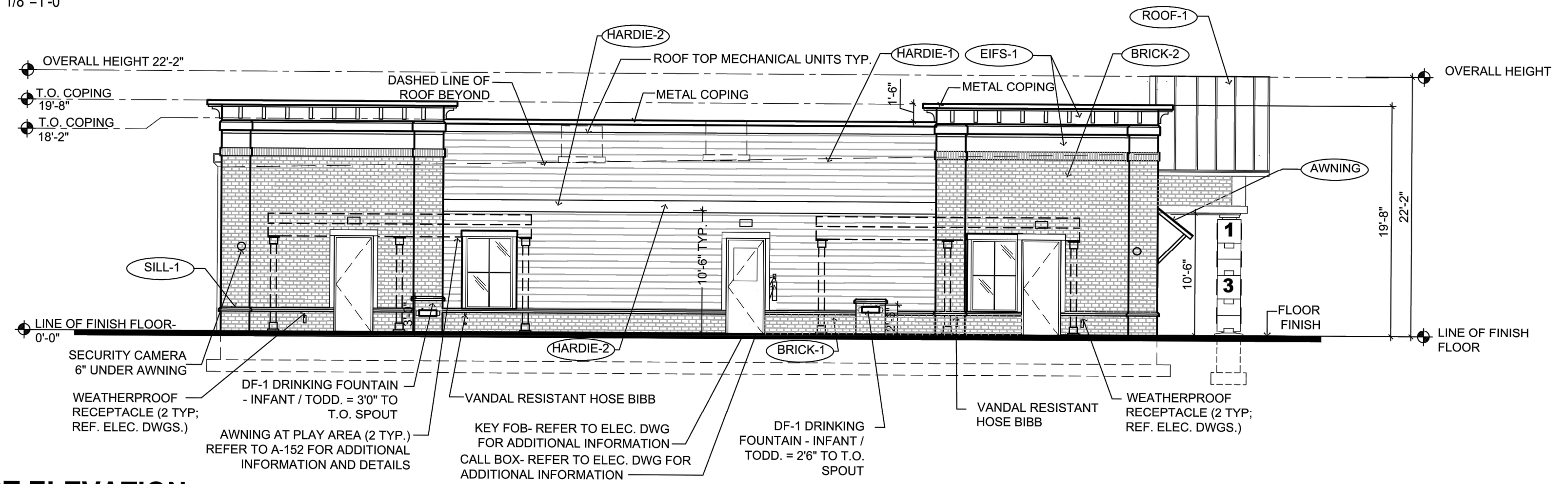
H-DRAWINGS: TITLE - THE LEARNING EXPERIENCE - NORTH CAROLINA; TLENC23-228 - TLE ROLESVILLE US HWY 401 S MAIN ST; SPACE PLAN; TITLE; TLENC23-228-SA-1.DWG CSCHWEIKER PLOTTED: 12/21/2023



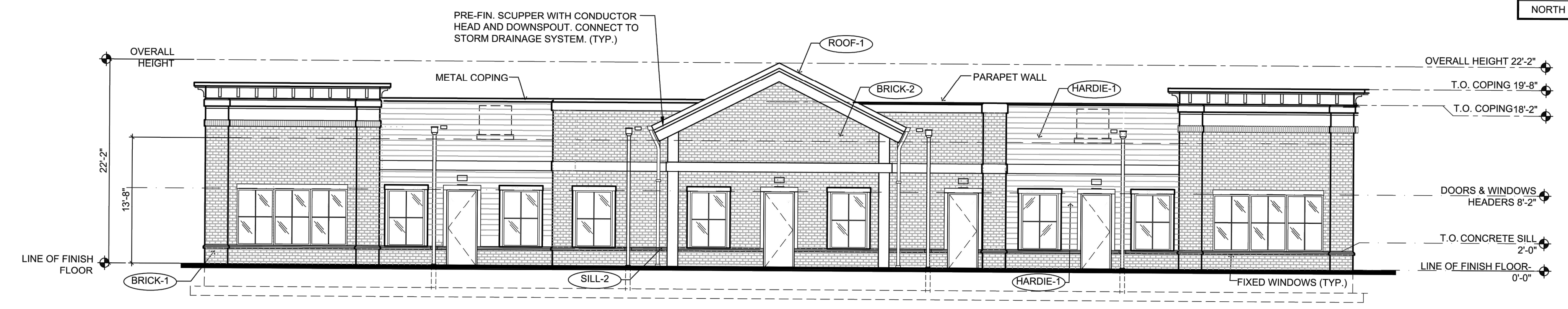
1 SOUTH ELEVATION
SCALE: 1/8"=1'-0"



2 EAST ELEVATION
SCALE: 1/8"=1'-0"



3 WEST ELEVATION
SCALE: 1/8"=1'-0"



4 NORTH ELEVATION
SCALE: 1/8"=1'-0"

1. CONTRACTOR SHALL SUPERVISE AND DIRECT THE WORK USING THE CONTRACTOR'S BEST SKILL AND ATTENTION. THE CONTRACTOR SHALL BE SOLELY RESPONSIBLE AND HAVE CONTROL OVER CONSTRUCTION MEANS, METHODS, TECHNIQUES, SEQUENCE, AND JOB SITE SAFETY.
2. GC MUST PROVIDE & INSTALL ALL PRODUCTS PER PLANS. ONLY SUBSTITUTED PRODUCTS NEED TO BE SUBMITTED TO THE ARCHITECT FOR APPROVAL. UNAPPROVED SUBSTITUTIONS WILL BE REPLACED AT THE EXPENSE OF THE GC.
3. VERBAL REPRESENTATION HAS NO VALUE AND ALL REQUESTS TO CHANGE ANY PRODUCTS OR SPECIFICATIONS PER PLANS, MUST BE SUBMITTED IN WRITING TO THE ARCHITECT & TLE FOR APPROVAL.

Jarmel Kizel
ARCHITECTS AND ENGINEERS INC.
42 OKNER PARKWAY
LIVINGSTON, NEW JERSEY 07039
TEL: 973-994-9669
FAX: 973-994-4069
www.jarmelkizel.com
Architecture
Engineering
Interior Design
Implementation Services

EXTERIOR MATERIAL SCHEDULE			
LABEL	MANUFACTURER	SIZE / TYPE	FINISH / COLOR
STOREFRONT	KAWNEER	TRIFAB 451T / 350 PER DOOR SCHEDULE	DARK BRONZE
DOOR	-	PER DOOR SCHEDULE	FACTORY PRIMED
FIXED WINDOW	PLY GEM	SILVER LINE V1 SERIES PER WINDOW SCHEDULE	DARK BRONZE
SILL-1	ROCKCAST	CAST STONE SILL	BUFFSTONE
SILL-2	ROCKCAST	CUSTOM SILL 3 3/4"Hx4"W W/ 2" FLAT REF. DTL. 6/A-032	BUFFSTONE
BRICK-1	GENERAL SHALE	MODULAR BRICK VENEER	DUTCH CHOCOLATE
BRICK-2	GENERAL SHALE	MODULAR BRICK VENEER	MILLBROOK
HARDIE-1	JAMES HARDIE	HARDIEPLANK LAP SIDING	COBBLESTONE
HARDIE-2	JAMES HARDIE	HARDIEPLANK TRIM	WHITE
EIFS-1	DRYVIT	SMOOTH FINISH	SW 7044 AMAZING GRAY
ROOF-1	BERRIDGE	STANDING SEAM METAL	DARK BRONZE
AWNING-1	BERRIDGE	STANDING SEAM AWNING W/ FRAME	DARK BRONZE
AWNING-2	-	FABRIC AWNING OVER FRAME REFER TO NOTE #4	MIDNIGHT BLUE
KNOX-1	KNOX BOX	3200 SERIES W/ RECESSED MOUNT FLANGE, HINGE DOOR, & TAMPER SWITCH	DARK BRONZE (REF. NOTE 2 BELOW)
KNOX-2	KNOX BOX	1650 SERIES W/ RECESSED MOUNT FLANGE, HINGE DOOR, & TAMPER SWITCH	DARK BRONZE (REF. NOTE 2 BELOW)

FINISH SCHEDULE NOTES:
1. G.C. SHALL VERIFY KNOX BOX MODEL(S) AND LOCATION(S) WITH AUTHORITY HAVING JURISDICTION PRIOR TO ORDERING AND INSTALLATION.
2. G.C. SHALL ENSURE ALL EXTERIOR FINISHES ARE INSTALLED AND FINISHED IN COMPLIANCE WITH MANUFACTURERS' WARRANTY REQUIREMENTS.
3. IF BLOCKS ARE NOT PERMITTED, COLUMNS MUST MATCH EXTERIOR FINISH OF THE BUILDING.
4. PER 2015 IBC SECTION 3105, AWNING FRAMES SHALL BE OF NONCOMBUSTIBLE MATERIALS AND DESIGNED TO RESIST APPLICABLE WIND LOADS. THE COVERING FABRIC SHALL HAVE A FLAME SPREAD RATING NOT GREATER THAN 25.

TRANSPARENCY CALCULATIONS				
	WALL	TRANSPARENCY	REQUIRED	PROVIDED
SOUTH	1,313 SQ. FT.	408 SQ. FT.	30.0%	31.07%
EAST	840 SQ. FT.	256 SQ. FT.	30.0%	30.48%
WEST	N/A	N/A	N/A	N/A
NORTH	1,313 SQ. FT.	431 SQ. FT.	30.0%	32.83%

THE LEARNING EXPERIENCE
ACADEMY OF EARLY EDUCATION
US Hwy 401 S Main St
ROLESVILLE NORTH CAROLINA

ISSUE			
NO.	DATE	DESCRIPTION	INT.

REVISION			
NO.	DATE	DESCRIPTION	INT.

PROFESSIONAL CERTIFICATION
NAME OF LICENSEE:
MATTHEW B. JARME
LICENSE NUMBER: 10120

Project Number: TLENC23-228
Scale: AS NOTED
Drawn By: BB
Approved By: —

Drawing Name:

PROPOSED ELEVATIONS

Drawing Number:

SA-1.2