

Plotted By: Alexander, Jamal Sheet: SCOOTER'S ROLESVILLE Layout: C2.0 SITE PLAN, October 31, 2023, 04:21:26pm. K:\RAL...LDEV\016485000-Scoters Rolesville\Planning\15_CAD Files\PlanSheets\C2.0 SITE PLAN.dwg
 This document, together with the concepts and designs presented herein, is intended only for the specific purpose and client for which it was prepared. Reuse of and improper reliance on this document without written authorization and adaptation by Kimley-Horn and Associates, Inc. shall be without liability to Kimley-Horn and Associates, Inc.

6. The Proposed SCM is located within the Type 3 landscape buffer- Reference Rolesville LDO 6.2.2 for permitted items within buffer

N/F
 LEN PROPERTIES, LLC
 D.B. 16927, PG. 2699
 B.M. 2007, PG. 143
 PIN #1758.08-89-6918
 ZONING: GC
 USE: VACANT

N/F
 ANDELIA P. WATKINS
 D.B. 5265, PG. 843
 B.M. 1979, PG. 178
 PIN #1759.20-80-4047
 ZONING: RL
 USE: SINGLE-FAMILY

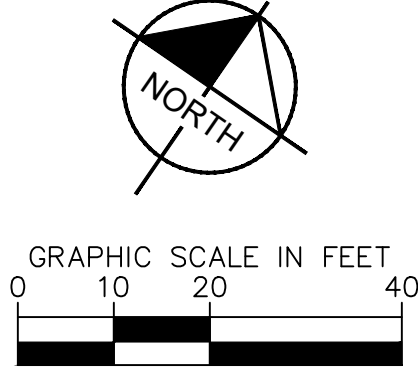
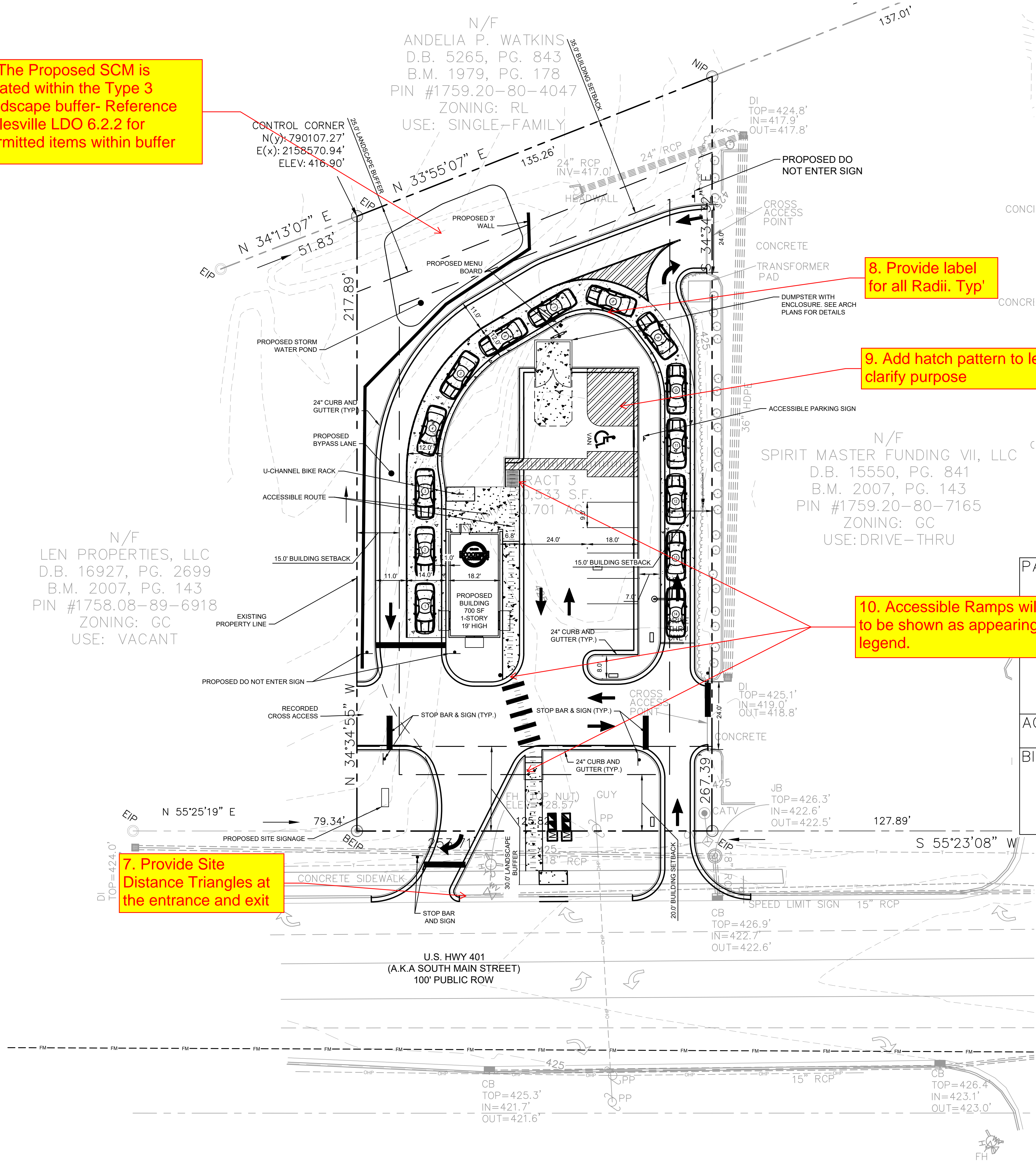
N/F
 SPIRIT MASTER FUNDING VII, LLC
 D.B. 15550, PG. 841
 B.M. 2007, PG. 143
 PIN #1759.20-80-7165
 ZONING: GC
 USE: DRIVE-THRU

7. Provide Site Distance Triangles at the entrance and exit

10. Accessible Ramps will need to be shown as appearing on legend.

8. Provide label for all Radii. Typ'

9. Add hatch pattern to legend or label, to clarify purpose



SITE LEGEND	
	PROPERTY LINE
	EASEMENT LINE
	FENCE
	STANDARD CURB AND GUTTER
	SPILL CURB AND GUTTER
	PARKING SPACE COUNT
	SIGN (SEE PLAN)
	LIGHT POLE
	WHEEL STOP
	ACCESSIBLE PARKING MARKING (V INDICATES VAN ACCESSIBLE)
	DIRECTIONAL PAVEMENT ARROWS
	ACCESSIBLE RAMP
	DEPRESSED CURB RAMP
	ACCESSIBLE ROUTE
	LIGHT DUTY ASPHALT
	HEAVY DUTY ASPHALT
	STANDARD DUTY CONCRETE
	HEAVY DUTY CONCRETE
	CONCRETE SIDEWALK

PARKING:	MIN. REQUIRED: (2.5 SPACES/1,000 SF) X 700 SF = 2 SPACES
	MAX. ALLOWED: (10 SPACES/1,000 SF) X 700 SF = 7 SPACES
ACCESSIBLE PARKING:	REQUIRED: 1 SPACE PROVIDED: 1 SPACE
BICYCLE PARKING:	MIN. REQUIRED: (1 SPACE/5,000 SF) X 7,000 SF = 1 SPACES
	PROVIDED: 2 SPACES

SURVEY NOTE:
 EXISTING TOPOGRAPHICAL INFORMATION IS BASED ON A TOPOGRAPHIC SURVEY OBTAINED ON 02/23/2023 BY CMP PROFESSIONAL LAND SURVEYORS, 333 S. WHITE STREET, WAKE FOREST, NC 27588. PHONE: (919) 556-3148. CONTRACTOR SHALL BE RESPONSIBLE FOR VERIFYING ALL EXISTING INFORMATION, DEPICTED OR NOT, PRIOR TO CONSTRUCTION AND REPORT POTENTIAL CONFLICTS TO OWNER AND ENGINEER.



SCOOTER'S ROLESVILLE
 PREPARED FOR
 S&S JAVA ENTERPRISES
 ROLESVILLE, NC

DATE: _____
 REVISIONS: _____
 BY: _____

PROJECT: 016485000
 DATE: 10/31/2023
 SCALE: AS SHOWN
 DESIGNED BY: JAA
 DRAWN BY: JAA
 CHECKED BY: COE

DATE: _____
 REVISIONS: _____
 BY: _____

PROJECT: 016485000
 DATE: 10/31/2023
 SCALE: AS SHOWN
 DESIGNED BY: JAA
 DRAWN BY: JAA
 CHECKED BY: COE

DATE: _____
 REVISIONS: _____
 BY: _____

PROJECT: 016485000
 DATE: 10/31/2023
 SCALE: AS SHOWN
 DESIGNED BY: JAA
 DRAWN BY: JAA
 CHECKED BY: COE

DATE: _____
 REVISIONS: _____
 BY: _____

PROJECT: 016485000
 DATE: 10/31/2023
 SCALE: AS SHOWN
 DESIGNED BY: JAA
 DRAWN BY: JAA
 CHECKED BY: COE

DATE: _____
 REVISIONS: _____
 BY: _____

PROJECT: 016485000
 DATE: 10/31/2023
 SCALE: AS SHOWN
 DESIGNED BY: JAA
 DRAWN BY: JAA
 CHECKED BY: COE

DATE: _____
 REVISIONS: _____
 BY: _____

SHEET NUMBER
C2.0

Plotted By: Alexander, Jamal Sheet: Scooter's Rolesville Layout C3.0 GRADING PLAN October 31, 2023 04:21:36pm K:\RAL_LDEV\016485000-Scooter's Rolesville\Planning\P15_CAD Files\PlanSheets\C3.0 GRADING PLAN.dwg
 This document, together with the concepts and designs presented herein, is intended only for the specific purpose and client for which it was prepared. Reuse of and improper reliance on this document without written authorization and adaptation by Kimley-Horn and Associates, Inc. shall be without liability to Kimley-Horn and Associates, Inc.

11. Please provide labels for storm structures, pipe sizes/slope, and show scm contours

12. Provide structure at end of pipe, or adjust currently proposed structure/pipe

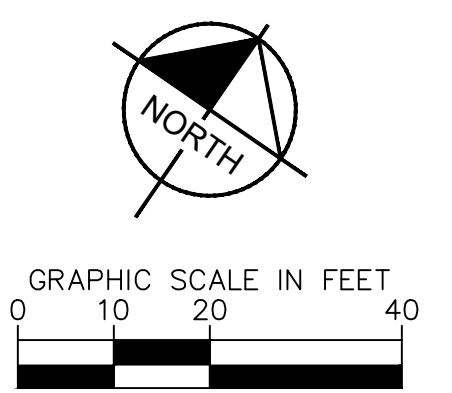
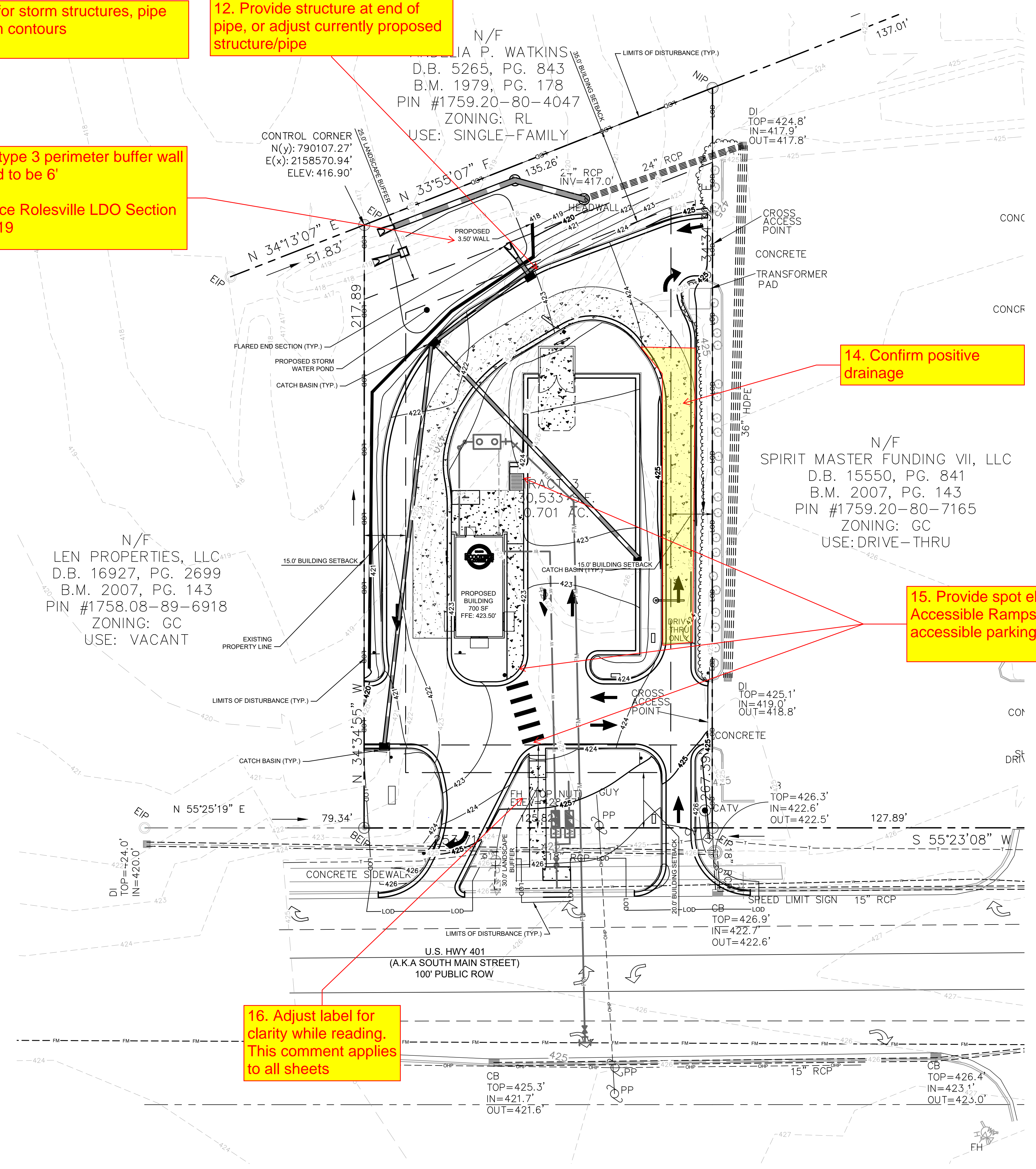
13. Per type 3 perimeter buffer wall will need to be 6'
Reference Rolesville LDO Section 6.2-pg. 19

14. Confirm positive drainage

15. Provide spot elevations for Accessible Ramps and accessible parking spot

16. Adjust label for clarity while reading. This comment applies to all sheets

17. If this is to act as the drainage plan, consider adjusting the sheet title.



GRADING AND DRAINAGE LEGEND	
---	PROPERTY LINE
-TCE-	TEMPORARY CONSTRUCTION EASEMENT
---	STORM DRAIN (> 12 INCH)
---	STORM DRAIN (< 12 INCH)
---	ROOF DRAIN
---	UNDER DRAIN
---	CURB AND GUTTER
---	SPILL CURB AND GUTTER
---	CLEARING LIMITS
---	EXISTING CONTOUR
---	PROPOSED CONTOUR
---	SPOT ELEVATION
---	CATCH BASIN (CB)
---	MANHOLE (SDMH)
---	CLEANOUT (SDCO)
---	DROP INLET (DI)
---	AREA DRAIN (AD)
---	CONTROL STRUCTURE (CS)
---	FLARED END SECTION (FES)
---	CONCRETE HEADWALL (HW)
---	RIP-RAP APRON
---	FLOW ARROW
---	TOP OF WALL (GRADE ELEV.)
---	BOTTOM OF WALL (GRADE ELEV.)
---	TOP OF PAVEMENT (GRADE ELEV.)
---	TOP OF CURB (GRADE ELEV.)
---	FLUSH CURB (GRADE ELEV.)
---	WATER TIGHT JOINTS (WT)

KIMLEY-HORN & ASSOCIATES, INC.
 421 FAYETTEVILLE STREET, SUITE 600, RALEIGH, NC 27601
 © 2023 KIMLEY-HORN AND ASSOCIATES, INC.
 #F-0102 WWW.KIMLEY-HORN.COM PHONE: 919.677.2000 FAX: 919.677.2050

REVISIONS
 No. DATE BY

KHA PROJECT
 016485000

DATE
 10/31/2023

SCALE
 AS SHOWN

DESIGNED BY
 JAA

DRAWN BY
 JAA

CHECKED BY
 COB

SCOOTER'S
 ROLESVILLE
 PREPARED FOR
 S&S JAVA ENTERPRISES
 ROLESVILLE NC

GRADING PLAN

SHEET NUMBER
 C3.0

SURVEY NOTE:
 EXISTING TOPOGRAPHICAL INFORMATION IS BASED ON A TOPOGRAPHIC SURVEY OBTAINED ON 02/23/2023 BY CMP PROFESSIONAL LAND SURVEYORS, 333 S. WHITE STREET, WAKE FOREST, NC 27588. PHONE: (919) 556-3148. CONTRACTOR SHALL BE RESPONSIBLE FOR VERIFYING ALL EXISTING INFORMATION, DEPICTED OR NOT, PRIOR TO CONSTRUCTION AND REPORT POTENTIAL CONFLICTS TO OWNER AND ENGINEER.



Plotted By: Alexander, Jamal Sheet: S&S SCOOTER'S ROLESVILLE Layout: C4.0 UTILITY PLAN October 31, 2023 04:21:48pm K:\RAL_LDEV\016485000-Scooters Rolesville\Planning\15_CAD Files\PlanSheets\C4.0 UTILITY PLAN.dwg
 This document, together with the concepts and designs presented herein, is intended only for the specific purpose and client for which it was prepared. Reuse of and improper reliance on this document without written authorization and adaptation by Kimley-Horn and Associates, Inc. shall be without liability to Kimley-Horn and Associates, Inc.

STANDARD UTILITY NOTES

- ALL MATERIALS AND CONSTRUCTION METHODS SHALL BE IN ACCORDANCE WITH CITY OF RALEIGH DESIGN STANDARDS & SPECIFICATIONS
- UTILITY SEPARATION REQUIREMENTS:
 - A DISTANCE OF 100' SHALL BE MAINTAINED BETWEEN SANITARY SEWER & ANY PRIVATE OR PUBLIC WATER SUPPLY SOURCE, SUCH AS AN IMPOUNDED RESERVOIR USED AS A SOURCE OF DRINKING WATER. IF ADEQUATE LATERAL SEPARATION CANNOT BE ACHIEVED, FERROUS SANITARY SEWER PIPE SHALL BE SPECIFIED & INSTALLED TO WATERLINE SPECIFICATIONS. HOWEVER, THE MINIMUM SEPARATION SHALL NOT BE LESS THAN 25' FROM A PRIVATE WELL OR 50' FROM A PUBLIC WELL.
 - WHEN INSTALLING WATER &/OR SEWER MAINS, THE HORIZONTAL SEPARATION BETWEEN UTILITIES SHALL BE 10' IF THIS SEPARATION CANNOT BE MAINTAINED DUE TO EXISTING CONDITIONS, THE VARIATION ALLOWED IS THE WATER MAIN IN A SEPARATE TRENCH WITH THE ELEVATION OF THE WATER MAIN AT LEAST 18" ABOVE THE TOP OF THE SEWER & MUST BE APPROVED BY THE PUBLIC UTILITIES DIRECTOR. ALL DISTANCES ARE MEASURED FROM OUTSIDE DIAMETER TO OUTSIDE DIAMETER.
 - WHERE IT IS IMPOSSIBLE TO OBTAIN PROPER SEPARATION, OR ANYTIME A SANITARY SEWER PASSES OVER A WATER MAIN, DIP MATERIALS OR STEEL ENCASUREMENT EXTENDED 10' ON EACH SIDE OF CROSSING MUST BE SPECIFIED & INSTALLED TO WATERLINE SPECIFICATIONS.
 - 5.0' MINIMUM HORIZONTAL SEPARATION IS REQUIRED BETWEEN ALL SANITARY SEWER & STORM SEWER FACILITIES, UNLESS DIP MATERIAL IS SPECIFIED FOR SANITARY SEWER.
 - MAINTAIN 18" MIN. VERTICAL SEPARATION AT ALL WATER MAIN & RCP STORM DRAIN CROSSINGS; MAINTAIN 24" MIN. VERTICAL SEPARATION AT ALL SANITARY SEWER & RCP STORM DRAIN CROSSINGS. WHERE ADEQUATE SEPARATIONS CANNOT BE ACHIEVED, SPECIFY DIP MATERIALS & A CONCRETE CRADLE HAVING 6" MIN. CLEARANCE.
 - ALL OTHER UNDERGROUND UTILITIES SHALL CROSS WATER & SEWER FACILITIES WITH 18" MIN. VERTICAL SEPARATION REQUIRED.
- ANY NECESSARY FIELD REVISIONS ARE SUBJECT TO REVIEW & APPROVAL OF AN AMENDED PLAN &/OR PROFILE BY THE CITY OF RALEIGH PUBLIC UTILITIES DEPARTMENT PRIOR TO CONSTRUCTION.
- CONTRACTOR SHALL MAINTAIN CONTINUOUS WATER & SEWER SERVICE TO EXISTING RESIDENCES & BUSINESSES THROUGHOUT CONSTRUCTION OF PROJECT. ANY NECESSARY SERVICE INTERRUPTIONS SHALL BE PRECEDED BY A 24 HOUR ADVANCE NOTICE TO THE CITY OF RALEIGH PUBLIC UTILITIES DEPARTMENT.
- 3.0' MINIMUM COVER IS REQUIRED ON ALL WATER MAINS & SEWER FORCE MAINS. 4.0' MINIMUM COVER IS REQUIRED ON ALL REUSE MAINS.
- IT IS THE DEVELOPER'S RESPONSIBILITY TO ABANDON OR REMOVE EXISTING WATER & SEWER SERVICE BEING USED IN REDEVELOPMENT OF A SITE UNLESS OTHERWISE DIRECTED BY THE CITY OF RALEIGH PUBLIC UTILITIES DEPARTMENT. THIS INCLUDES ABANDONING TAP AT MAIN & REMOVAL OF SERVICE FROM EASEMENT.
- INSTALL 2" WATER SERVICES WITH METERS LOCATED AT ROW OR WITHIN A 2'x2' WATERLINE EASEMENT IMMEDIATELY ADJACENT. NOTE: IT IS THE APPLICANT'S RESPONSIBILITY TO PROPERLY SIZE THE WATER SERVICE FOR EACH CONNECTION TO PROVIDE ADEQUATE FLOW & PRESSURE.
- INSTALL 4" PVC SEWER SERVICES @ 2.0% MINIMUM GRADE WITH CLEANOUTS LOCATED AT ROW OR EASEMENT LINE & SPACED EVERY 75 LINEAR FEET MAXIMUM.
- PRESSURE REDUCING VALVES ARE REQUIRED ON ALL WATER SERVICES EXCEEDING 80 PSI; BACKWATER VALVES ARE REQUIRED ON ALL SANITARY SEWER SERVICES HAVING BUILDING DRAINS LOWER THAN 1.0' ABOVE THE NEXT UPSTREAM MANHOLE.
- ALL ENVIRONMENTAL PERMITS APPLICABLE TO THE PROJECT MUST BE OBTAINED FROM NCDWQ, USACE &/OR FEMA FOR ANY RIPARIAN BUFFER, WETLAND &/OR FLOODPLAIN IMPACTS (RESPECTIVELY) PRIOR TO CONSTRUCTION.
- NC DOT ENCROACHMENT AGREEMENTS ARE REQUIRED FOR ANY UTILITY WORK (INCLUDING MAIN EXTENSIONS & SERVICE TAPS) WITHIN STATE ROW PRIOR TO CONSTRUCTION.
- CROSS-CONNECTION CONTROL PROTECTION DEVICES ARE REQUIRED BASED ON DEGREE OF HEALTH HAZARD INVOLVED AS LISTED IN APPENDIX-B OF THE RULES GOVERNING PUBLIC WATER SYSTEMS IN NORTH CAROLINA. THESE GUIDELINES ARE THE MINIMUM REQUIREMENTS. THE DEVICES SHALL MEET AMERICAN SOCIETY OF SANITARY ENGINEERING (ASSE) STANDARDS OR BE ON THE UNIVERSITY OF SOUTHERN CALIFORNIA APPROVAL LIST. THE DEVICES SHALL BE INSTALLED AND TESTED (BOTH INITIAL AND PERIODIC TESTING THEREAFTER) IN ACCORDANCE WITH THE MANUFACTURER'S RECOMMENDATIONS OR THE LOCAL CROSS-CONNECTION CONTROL PROGRAM, WHICHEVER IS MORE STRINGENT.
- THE STATE OF NORTH CAROLINA AND C.O.R. PUBLIC WORKS DEPT. SHALL BE NOTIFIED IN WRITING PRIOR TO UTILITY INSTALLATION AND FOR SCHEDULING INSPECTIONS.

N/F
 LEN PROPERTIES, LLC
 D.B. 16927, PG. 2699
 B.M. 2007, PG. 143
 PIN #1758.08-89-6918
 ZONING: GC
 USE: VACANT

N/F
 ANDELIA P. WATKINS
 D.B. 5265, PG. 843
 B.M. 1979, PG. 178
 PIN #1759.20-80-4047
 ZONING: RL
 USE: SINGLE-FAMILY

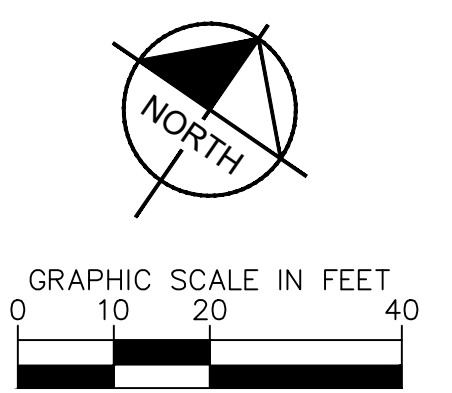
N/F
 SPIRIT MASTER FUNDING VII, LLC
 D.B. 15550, PG. 841
 B.M. 2007, PG. 143
 PIN #1759.20-80-7165
 ZONING: GC
 USE: DRIVE-THRU

18. A grease trap will need to be provided for building

19. Provide label denoting Domestic or public FM sanitary line if public provide easement.

20. Maintain required separation between sanitary and storm, provide label

21. Label above ground hot box



UTILITY LEGEND	
---	PROPERTY LINE
W	WATER LINE
FW	FIRE LINE
SS	SANITARY SEWER LINE
E	ELECTRIC
FO	FIBER OPTIC
G	GAS
P	POWER
T	TELECOMMUNICATION
TV	CABLE
□	LIGHT POLE
M	WATER METER
⊗	GATE VALVE
⊕	POINT OF CONNECTION
⊖	BACKFLOW PREVENTOR
⊗	PIPE TEE/BENDS
⊕	REDUCER
⊖	FIRE HYDRANT (FH)
⊗	FIRE DEPARTMENT CONNECTION (FDC)
⊕	SANITARY SEWER CLEANOUT (SSCO)
⊖	SANITARY SEWER MANHOLE (SSMH)
⊗	SANITARY SEWER GREASE TRAP

STANDARD UTILITY NOTES (CONT.)

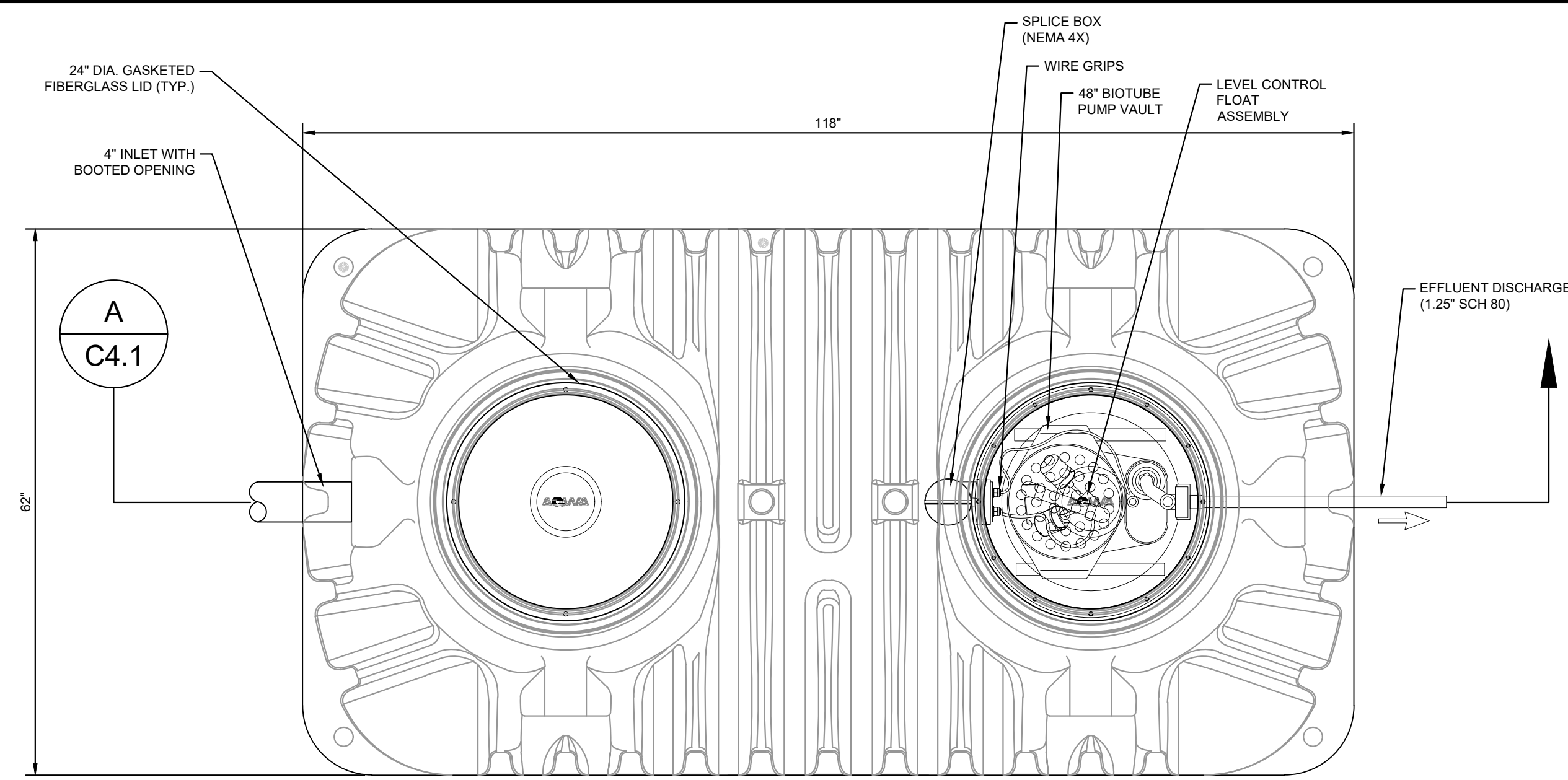
- TRAFFIC CONTROLS FOR ANY UTILITY WORK WITHIN THE PUBLIC RIGHT-OF-WAY SHALL BE IN COMPLIANCE WITH STANDARDS OF THE NORTH CAROLINA MANUAL ON UNIFORM TRAFFIC CONTROL DEVICES.
- IN THE EVENT AN ITEM IS NOT COVERED BY THESE PLANS, THEN THE STANDARDS AND SPECIFICATIONS CONTAINED IN THE CITY OF RALEIGH PUBLIC UTILITIES DEPARTMENT HANDBOOK COVERING SUCH ITEMS SHALL APPLY.
- IF CITY OF RALEIGH WATER AND SANITARY SEWER PERMITS ARE REQUIRED, CONTRACTOR IS RESPONSIBLE FOR ALL PERMIT FEES.
- LOCATIONS AND SIZES OF EXISTING WATER AND SEWER LINES SHOWN ON THESE PLANS WITHIN THE PROPERTY LIMITS OF THE SITE ARE ASSUMED BASED ON SURVEY OF SURFACE FEATURES (MANHOLES, VALVES, VAULTS, METERS, ETC.) PREPARED BY GSC SURVEYING, INC., 4072 BARRETT DRIVE, RALEIGH, N.C. 27609. IT IS SOLELY THE RESPONSIBILITY OF THE CONTRACTOR TO FIELD VERIFY THE HORIZONTAL AND VERTICAL LOCATION OF THE EXISTING UTILITIES PRIOR TO COMMENCING WORK. ANY DEVIATIONS FROM WHAT IS INDICATED ON THESE PLANS SHALL BE REPORTED TO THE DEVELOPER AND ENGINEER, IN WRITING, IMMEDIATELY.
- CONTRACTOR SHALL PROVIDE A MEANS TO KEEP ALL NEW PIPING ISOLATED FROM EXISTING PIPING UNTIL ALL NEW PIPING HAS BEEN TESTED, AND ACCEPTED FOR SERVICE.
- EXISTING UTILITIES SHALL BE PROTECTED DURING ALL CONSTRUCTION.
- THE SITE UTILITY CONTRACTOR SHALL PROVIDE ALL MATERIALS AND APPURTENANCES NECESSARY FOR COMPLETE INSTALLATION OF THE UTILITIES. ALL PUBLIC PIPE, STRUCTURES, AND FITTINGS SHALL BE INSPECTED BY THE CITY INSPECTOR PRIOR TO BEING COVERED. THE INSPECTOR MUST ALSO BE PRESENT DURING DISINFECTION AND PRESSURE TESTING OF ALL MAINS. THE CONTRACTOR'S BID PRICE SHALL INCLUDE ALL INSPECTION FEES.
- UTILITY WORK SHALL BE INSPECTED AND ACCEPTED BY CITY OF RALEIGH PRIOR TO PLACING INTO SERVICE.
- THERE SHALL BE A MINIMUM 3' CLEAR DISTANCE AROUND ALL FIRE HYDRANTS.
- THE CONTRACTOR SHALL BE RESPONSIBLE FOR PROVIDING "AS-BUILT" PLANS, PER CITY OF RALEIGH REQUIREMENTS, TO THE ENGINEER SHOWING THE LOCATION OF WATER AND SEWER SERVICES AND ANY DEVIATIONS FROM PLANS MADE DURING CONSTRUCTION. THE ENGINEER WILL PROVIDE THESE RECORD PLANS TO THE CITY OF RALEIGH.

SURVEY NOTE:
 EXISTING TOPOGRAPHICAL INFORMATION IS BASED ON A TOPOGRAPHIC SURVEY OBTAINED ON 02/23/2023 BY CMP PROFESSIONAL LAND SURVEYORS, 333 S. WHITE STREET, WAKE FOREST, NC 27588. PHONE: (919) 556-3148. CONTRACTOR SHALL BE RESPONSIBLE FOR VERIFYING ALL EXISTING INFORMATION, DEPICTED OR NOT, PRIOR TO CONSTRUCTION AND REPORT POTENTIAL CONFLICTS TO OWNER AND ENGINEER.

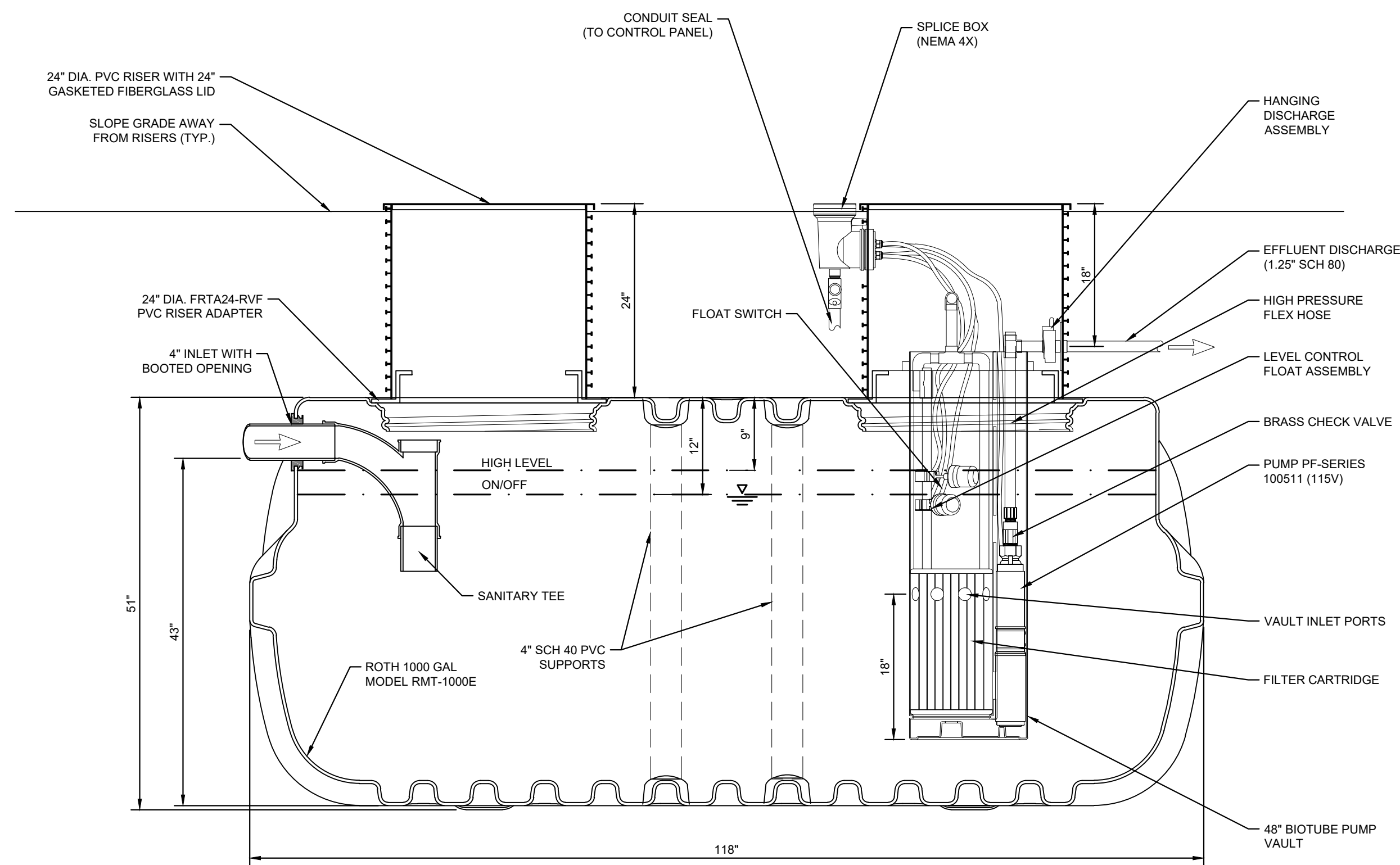
	KHA PROJECT 016485000	DATE 10/31/2023	SCALE AS SHOWN	DESIGNED BY JAA	DRAWN BY JAA	CHECKED BY COB
	© 2023 KIMLEY-HORN AND ASSOCIATES, INC. #F-0102 WWW.KIMLEY-HORN.COM PHONE: 919.677.2000 FAX: 919.677.2050 421 FAYETTEVILLE STREET, SUITE 800, RALEIGH, NC 27601					
UTILITY PLAN						
SCOOTER'S ROLESVILLE PREPARED FOR S&S JAVA ENTERPRISES ROLESVILLE NC	SHEET NUMBER C4.0					



Plotted By: Alexander, Jamal Sheet Set: SCOOTER'S ROLESVILLE Layout: C4.1 MECHANICAL PLAN October 31, 2023 04:21:58pm K:\RAL_LDEV\016485000-Scoters Rolesville\Planning\15_CAD Files\PlanSheets\C4.1_MECHANICAL PLAN.dwg
 This document, together with the concepts and designs presented herein, is an instrument of service, as an instrument of service, is intended only for the specific purpose and client for which it was prepared. Reuse of and improper reliance on this document without written authorization and adaptation by Kimley-Horn and Associates, Inc. shall be without liability to Kimley-Horn and Associates, Inc.



1 MECHANICAL PLAN VIEW SCALE: NTS

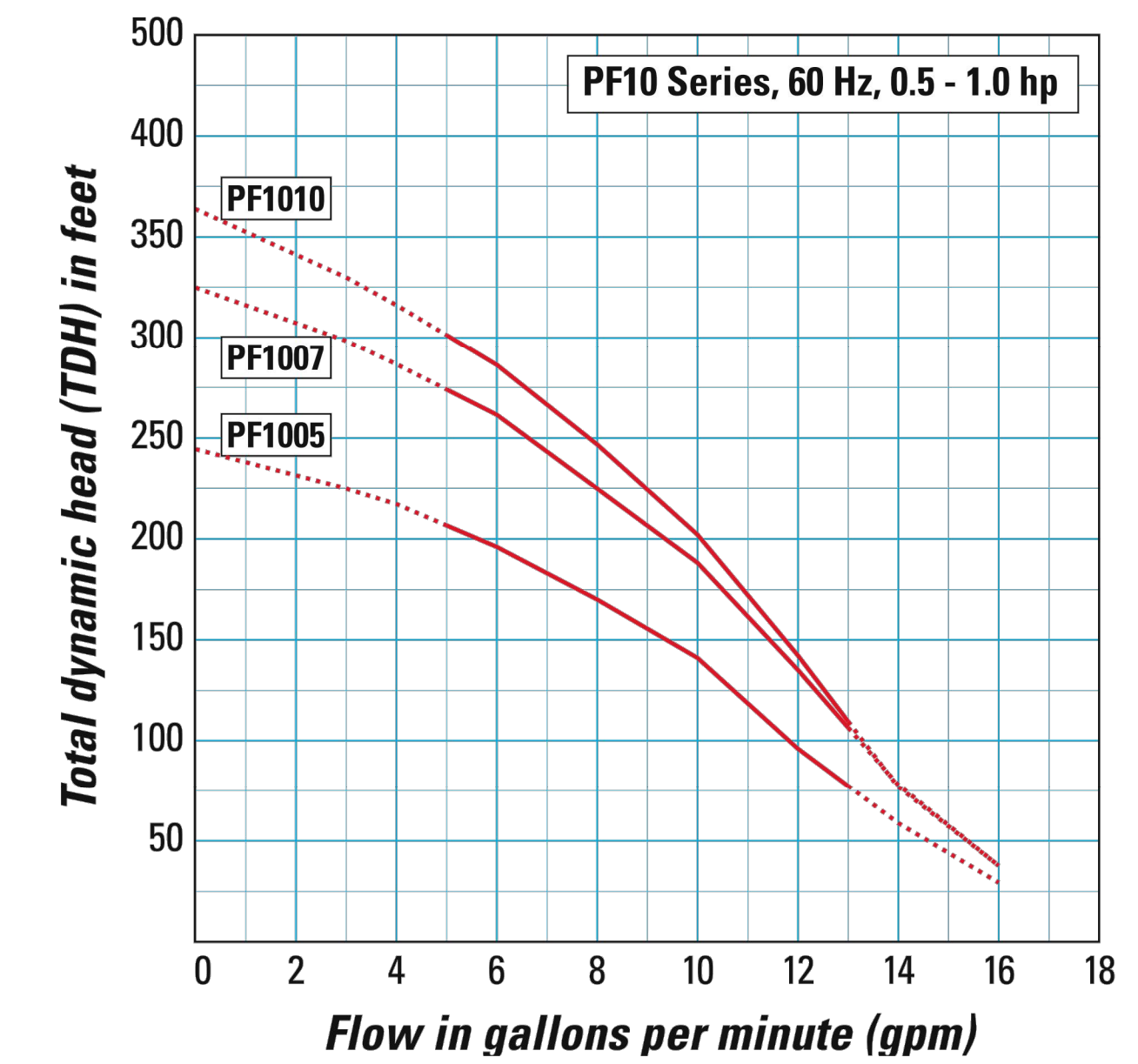


A MECHANICAL SECTION VIEW SCALE: NTS

NOTES:
 1) PROPOSED STEP SYSTEM SHALL BE EQUIPPED WITH AN "ORENCO S1" CONTROL PANEL OR APPROVED EQUAL. CONTACT MICHAEL CLAYTON (MCLAYTON@AQWA.NET, 252-292-1667) FOR STEP SYSTEM SPECIFICATIONS.

SEPTIC TANK GENERAL INFORMATION	
AVERAGE DAILY FLOW	306 GPD
TANK	1000 GAL ROTH TANK
TANK DIMENSIONS	118"x62"x52"
DISCHARGE PIPING	1.25"Ø SCH 80 PVC
CONTROL PANEL	ORENCO S1
HORSEPOWER	1 HP (NON-OVERLOADING OVER ENTIRE PUMP CURVE)
VOLTAGE/PHASE/CYCLES	240 V / 1 PHASE / 60 HZ
PUMP	ORENCO PF100511
PRIMARY LEVEL SENSING METHOD	FLOATS (3)
FLOAT TYPE	MF2P, 21 V
FLOAT SETTINGS	9", 12" (FROM TOP OF TANK)
FLOAT FUNCTIONS	HIGH LEVEL, ON/OFF

Pump Curves

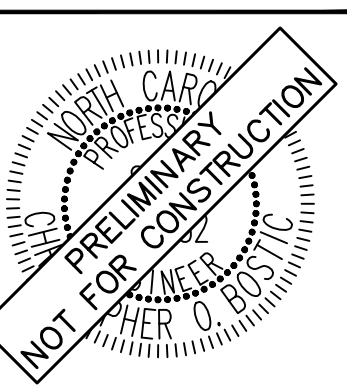


SURVEY NOTE:
 EXISTING TOPOGRAPHICAL INFORMATION IS BASED ON A TOPOGRAPHIC SURVEY OBTAINED ON 02/23/2023 BY CMP PROFESSIONAL LAND SURVEYORS, 333 S. WHITE STREET, WAKE FOREST, NC, 27588. PHONE: (919) 556-3148. CONTRACTOR SHALL BE RESPONSIBLE FOR VERIFYING ALL EXISTING INFORMATION, DEPICTED OR NOT, PRIOR TO CONSTRUCTION AND REPORT POTENTIAL CONFLICTS TO OWNER AND ENGINEER.



NO.	REVISIONS	BY	DATE

Kimley»Horn
 © 2023 KIMLEY-HORN AND ASSOCIATES, INC.
 #F-0102 WWW.KIMLEY-HORN.COM PHONE: 919-677-2000 FAX: 919-677-2050
 421 FAYETTEVILLE STREET, SUITE 600, RALEIGH, NC 27601



KHA PROJECT	016485000
DATE	10/31/2023
SCALE	AS SHOWN
DESIGNED BY	JAA
DRAWN BY	JAA
CHECKED BY	COB

MECHANICAL PLAN

SCOOTER'S ROLESVILLE
 PREPARED FOR
S&S JAVA ENTERPRISES
 ROLESVILLE, NC

SHEET NUMBER
C4.1

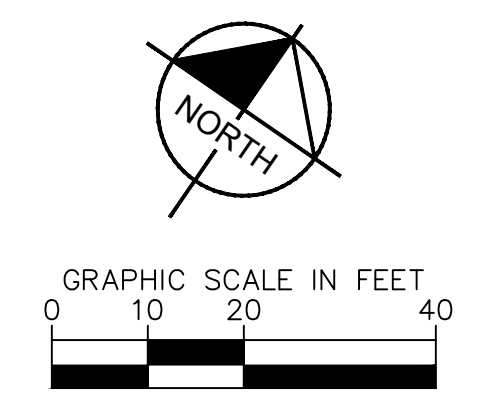
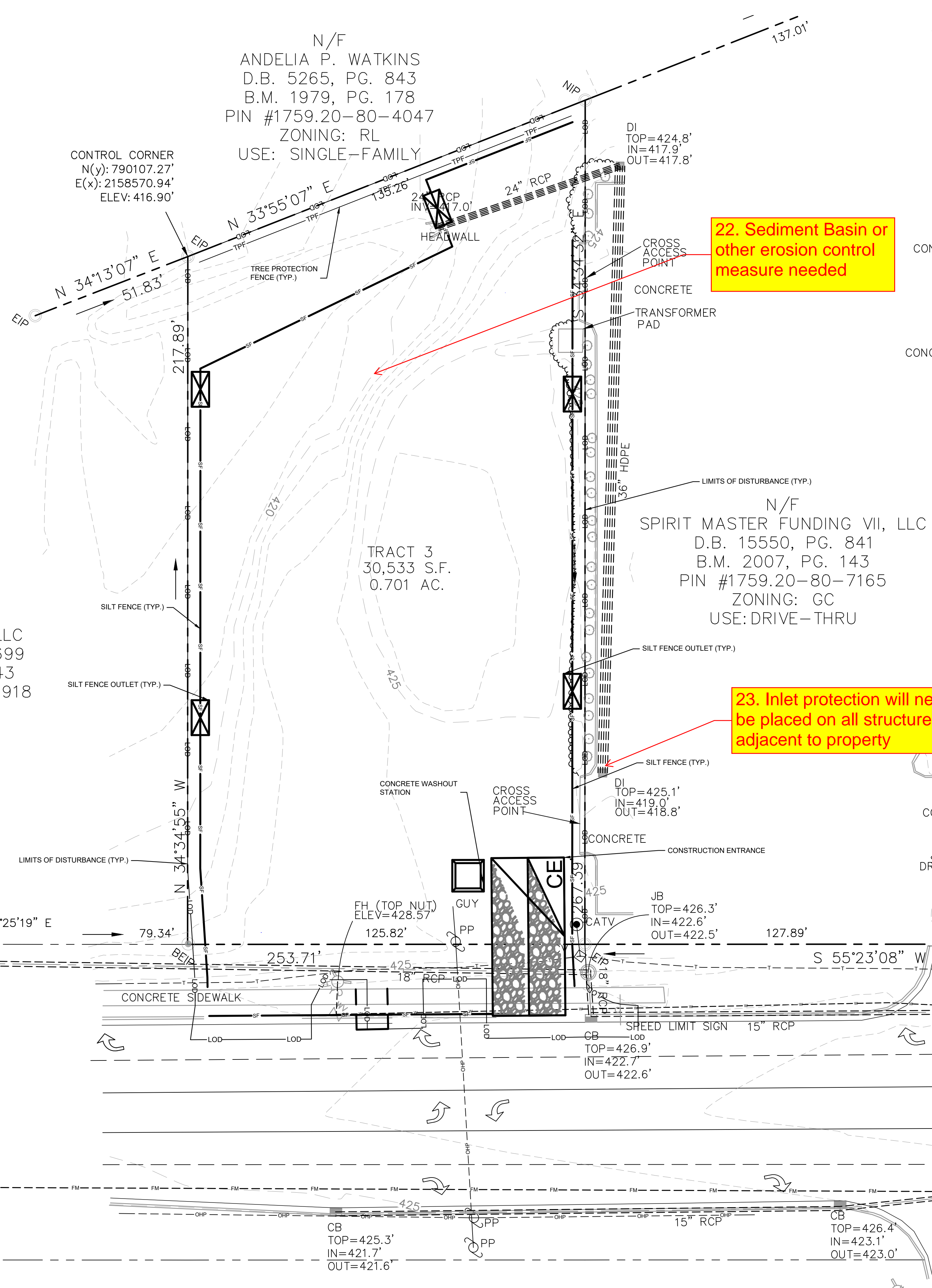
SELF MONITORING AND INSPECTION NOTIFICATION

THE SEDIMENTATION POLLUTION CONTROL ACT WAS AMENDED IN 2006 TO REQUIRE THAT PERSONS RESPONSIBLE FOR LAND-DISTURBING ACTIVITIES INSPECT A PROJECT AFTER EACH PHASE OF THE PROJECT TO MAKE SURE THAT THE APPROVED EROSION AND SEDIMENTATION CONTROL PLAN IS BEING FOLLOWED. RULES DETAILING THE DOCUMENTATION OF THESE INSPECTIONS BECAME EFFECTIVE OCTOBER 1, 2010. TO SIMPLIFY DOCUMENTATION OF SELF-INSPECTION REPORTS AND NPDES SELF-MONITORING REPORTS, A COMBINED FORM IS NOW AVAILABLE. THE NEW FORM WAS DEVELOPED TO SATISFY THE REQUIREMENTS OF THE SEDIMENTATION POLLUTION CONTROL ACT AND THE NPDES STORMWATER PERMIT FOR CONSTRUCTION ACTIVITIES, NCGS 010006, BEGINNING AUGUST 1, 2013. THE DIVISION OF ENERGY, MINERAL, AND LAND RESOURCES IS RESPONSIBLE FOR ADMINISTERING BOTH THE SPCA AND THE NPDES STORMWATER PERMIT FOR CONSTRUCTION ACTIVITIES, NCGS 010000. THE COMBINED FORM SHOULD MAKE IT EASIER TO COMPLY WITH SELF-INSPECTION REQUIREMENTS. THE COMBINED SELF-MONITORING FORM IS AVAILABLE AS A PDF AND WORD DOCUMENT FROM THE LAND QUALITY WEB SITE, [HTTP://PORTAL.NCDENR.ORG/WEB/NCDENR/EROSION](http://portal.ncdenr.org/web/ncdenr/erosion) IF YOU HAVE QUESTIONS, PLEASE CONTACT THE LAND QUALITY SECTION AT NCDEQ REGIONAL OFFICE.

MAINTENANCE NOTES:

DURING THE DEVELOPMENT OF A SITE, THE DEVELOPER SHALL INSTALL AND MAINTAIN ALL TEMPORARY AND PERMANENT STORMWATER CONTROL MEASURES AS REQUIRED BY THE APPROVED PLAN OR ANY PROVISION OF THIS ARTICLE. THE ACT OR ANY ORDER ADOPTED PURSUANT TO THIS ARTICLE OR THE ACT AFTER SITE DEVELOPMENT, THE DEVELOPER SHALL INSTALL AND/OR MAINTAIN ALL NECESSARY PERMANENT STORMWATER CONTROL MEASURES SPECIFIED IN THE APPROVED PLAN, EXCEPT THOSE MEASURES INSTALLED WITHIN A ROAD OR STREET RIGHT-OF-WAY OR EASEMENT ACCEPTED FOR MAINTENANCE BY A GOVERNMENTAL AGENCY. CONVEYANCE OF THE PROPERTY SHALL NOT TERMINATE THE ORIGINAL DEVELOPER'S OBLIGATIONS UNDER THIS ARTICLE UNTIL SUCH TIME AS A REPLACEMENT PERMIT IS APPROVED BY THE COUNTY ENGINEER, OR DESIGNEE. THE ORIGINAL DEVELOPER SHALL INCLUDE IN THE DEED CONVEYING THE PROPERTY NOTICE OF THE EXISTENCE OF THE STORMWATER CONTROL MEASURES AND THE PURCHASER'S OBLIGATIONS TO MAINTAIN AND INSPECT THEM AND TO OBTAIN A PERMIT AND OTHERWISE COMPLY WITH THE TERMS OF THIS ARTICLE. REFER TO THE EROSION CONTROL DETAILS SHEET FOR ADDITIONAL MAINTENANCE NOTES. THE FOLLOWING ITEMS WILL BE CHECKED IN PARTICULAR:

- CONSTRUCTION ENTRANCE:**
INSPECT CONSTRUCTION ROADS AND PARKING AREAS PERIODICALLY FOR CONDITION OF SURFACE. TOP DRESS WITH NEW GRAVEL AS NEEDED. CHECK ROAD DITCHES AND OTHER SEEDED AREAS FOR EROSION AND SEDIMENTATION AFTER RUNOFF-PRODUCING RAINS. MAINTAIN ALL VEGETATION IN A HEALTHY, VIGOROUS CONDITION. SEDIMENT PRODUCING AREAS SHOULD BE TREATED IMMEDIATELY.
- SILT FENCE:**
INSPECT SEDIMENT FENCES AT LEAST ONCE A WEEK AND AFTER EACH RAINFALL. MAKE ANY REQUIRED REPAIRS IMMEDIATELY. SHOULD THE FABRIC OF A SEDIMENT FENCE COLLAPSE, TEAR, DECOMPOSE, OR BECOME INEFFECTIVE, REPLACE IT IMMEDIATELY. REMOVE SEDIMENT DEPOSITS AS NECESSARY TO PROVIDE ADEQUATE STORAGE VOLUME FOR THE NEXT RAIN AND TO REDUCE PRESSURE ON THE FENCE. TAKE CARE TO AVOID UNDERMINING THE FENCE DURING CLEANOUT. REMOVE ALL FENCING MATERIALS AND UNSTABLE SEDIMENT DEPOSITS AND BRING THE AREA TO GRADE AND STABILIZE IT AFTER THE CONTRIBUTING DRAINAGE AREA HAS BEEN PROPERLY STABILIZED.
- SILT FENCE GRAVEL OUTLET:**
INSPECT SEDIMENT FENCE GRAVEL OUTLETS AT LEAST ONCE A WEEK AND AFTER EACH RAINFALL. MAKE ANY REQUIRED REPAIRS IMMEDIATELY. REMOVE SEDIMENT DEPOSITS AS NECESSARY TO PROVIDE ADEQUATE STORAGE VOLUME FOR THE NEXT RAIN. ANY RIP RAP DISPLACED MUST BE REPLACED IMMEDIATELY.
- BLOCK AND GRAVEL INLET PROTECTION:**
INSPECT THE BARRIER OF AFTER EACH RAIN AND MAKE REPAIRS AS NEEDED. REMOVE SEDIMENT AS NECESSARY TO PROVIDE ADEQUATE STORAGE VOLUME FOR SUBSEQUENT RAINS. WHEN THE CONTRIBUTING DRAINAGE AREA HAS BEEN ADEQUATELY STABILIZED, REMOVE ALL MATERIALS AND ANY UNSTABLE SOIL, AND EITHER SALVAGE OR DISPOSE OF IT PROPERLY. BRING THE DISTURBED AREA TO PROPER GRADE, THEN SMOOTH AND COMPACT IT. APPROPRIATELY STABILIZE ALL BARE AREAS AROUND THE INLET.



EROSION CONTROL LEGEND	
---	PROPERTY LINE
---	TEMPORARY CONSTRUCTION EASEMENT
---	CLEARING LIMITS
---	SILT FENCE
---	TREE PROTECTION FENCE
---	COMBINATION TREE PROTECTION / SILT FENCE
→ TD → TD	TEMPORARY DIVERSION DITCH
→ TD(CW) →	CLEAN WATER DIVERSION DITCH
---	SEDIMENT BASIN POROUS BAFFLES
---	PUMP DISCHARGE HOSE
---	EXISTING CONTOUR
---	PROPOSED CONTOUR
---	DRAINAGE AREA BOUNDARY
---	CONSTRUCTION ENTRANCE
---	SILT FENCE OUTLET
---	CONCRETE WASHOUT STATION
---	ROCK CHECK DAM
---	INLET PROTECTION
---	ROCK PIPE INLET PROTECTION
---	SKIMMER
---	TEMPORARY SLOPE DRAIN
---	RIP-RAP OUTLET PROTECTION
---	SILT BAG
---	DESIGNATED AREAS TO BE STABILIZED WITHIN 7 DAYS
---	TEMPORARY EROSION CONTROL MATTING

- PHASE 1 CONSTRUCTION SEQUENCE:**
- THE FOLLOWING PHASE 1 CONSTRUCTION SEQUENCE IS FURNISHED AS A GENERAL GUIDE FOR PREPARATION OF A SEQUENCE OF CONSTRUCTION EVENTS.
 - SCHEDULE AN ON-SITE PRE-CONSTRUCTION CONFERENCE WITH WAKE COUNTY ENVIRONMENTAL CONSULTANT TO DISCUSS EROSION CONTROL MEASURES.
 - OBTAIN LAND-DISTURBING PERMIT FROM WAKE COUNTY.
 - INSTALL TEMPORARY CONSTRUCTION ENTRANCE, SILT FENCE, INLET PROTECTION, TREE PROTECTION, AND OTHER MEASURES AS SHOWN ON PLANS, CLEARING ONLY AS NECESSARY TO INSTALL THESE DEVICES (SEE LOD FOR INITIAL CLEARING LIMITS). SEED, MAT, MULCH, AND ANCHOR DIVERSION DITCHES AND BASIN IMMEDIATELY AFTER CONSTRUCTION AS APPROPRIATE.
 - CALL FOR ON-SITE INSPECTION BY WAKE COUNTY ENVIRONMENTAL CONSULTANT ONCE ALL EROSION CONTROL MEASURES ARE INSTALLED. OBTAIN CERTIFICATE OF COMPLIANCE FROM WAKE COUNTY.
 - ONCE CERTIFICATE OF COMPLIANCE HAS BEEN OBTAINED, APPLY FOR NCDEQ eNOI ON NCDEQ WEBSITE.
 - UPON APPROVAL, CLEARING AND DEMOLITION MAY BEGIN. MAINTAIN ALL EROSION CONTROL MEASURES AS NECESSARY. EROSION CONTROL MEASURES SHALL BE RESTORED TO ORIGINAL DIMENSIONS WHEN SEDIMENT ACCUMULATES TO 50% OF DESIGN DEPTH.
 - INSPECT AND REPAIR EROSION CONTROL MEASURES AFTER EVERY RAINFALL EVENT OF 1/2" OR GREATER OR EVERY SEVEN (7) CALENDAR DAYS.
 - FOR PHASED EROSION CONTROL PLANS, CONTRACTOR SHALL MEET WITH EROSION CONTROL INSPECTOR PRIOR TO COMMENCING EACH PHASE OF EROSION CONTROL MEASURES. SEED AND MULCH DEBULBED AREA WITHIN 15 CALENDAR DAYS AFTER ANY PHASE OF GRADING. MAINTAIN SOIL EROSION CONTROL MEASURES UNTIL PERMANENT GROUND COVER IS ESTABLISHED.
 - ALL EROSION CONTROL MEASURES SHALL BE CONSTRUCTED IN ACCORDANCE WITH THE NCDEQ EROSION AND SEDIMENT CONTROL PLANNING AND DESIGN MANUAL, U.S. DEPARTMENT OF AGRICULTURE, AND TOWN OF CARY EROSION CONTROL ORDINANCE.
 - REFER TO SHEET C0.1 - GENERAL NOTES FOR GENERAL EROSION CONTROL NOTES AND MAINTENANCE.

LIMITS OF DISTURBANCE: 0.77 AC

SURVEY NOTE:
EXISTING TOPOGRAPHICAL INFORMATION IS BASED ON A TOPOGRAPHIC SURVEY OBTAINED ON 02/23/2023 BY CMP PROFESSIONAL LAND SURVEYORS, 333 S. WHITE STREET, WAKE FOREST, NC 27588. PHONE: (919) 556-3148. CONTRACTOR SHALL BE RESPONSIBLE FOR VERIFYING ALL EXISTING INFORMATION, DEPICTED OR NOT, PRIOR TO CONSTRUCTION AND REPORT POTENTIAL CONFLICTS TO OWNER AND ENGINEER.

NPDES GROUND COVER REQUIREMENTS

SITE AREA DESCRIPTION	STABILIZATION	TIME FRAME EXCEPTIONS
PERIMETER DIKES, SWALES, DITCHES, SLOPES	7 DAYS	NONE
HIGH QUALITY WATER (HQW) ZONES	7 DAYS	NONE
SLOPES STEEPER THAN 3:1	7 DAYS	IF SLOPES ARE 10' OR LESS IN LENGTH AND ARE NOT STEEPER THAN 2:1, 14 DAYS ARE ALLOWED.
SLOPES 3:1 OR FLATTER	14 DAYS	7 DAYS FOR SLOPES GREATER THAN 50' IN LENGTH
ALL OTHER AREAS WITH SLOPES FLATTER THAN 4:1	14 DAYS	NONE EXCEPT FOR PERIMETERS AND HQW ZONES.

SILT FENCES SHOWN ON PLANS ARE FOR REPRESENTATIVE PURPOSES. CONSTRUCT DIRECTLY ALONG THE CLEARING LIMITS WHERE APPLICABLE.

SILT FENCE OUTLETS ARE TO BE PROVIDED ALONG ALL LOW POINTS OF SILT FENCE AND AREAS WHERE RUNOFF MAY CONCENTRATE CAUSING DAMAGE TO SILT FENCE. CONTRACTOR TO INSTALL OUTLETS AS NECESSARY TO ENSURE SILT FENCE IS FULLY FUNCTIONAL THROUGHOUT THE DURATION OF CONSTRUCTION.

REFER TO GENERAL NOTES SHEET C0.1 FOR EROSION CONTROL, SEEDBED PREPARATION, AND SEEDING SCHEDULE NOTES FOR BOTH PHASES.

DISTURBED AREA: 0.77 AC

Plotted By: Alexander, Jamal Sheet Set: SCOOTER'S ROLESVILLE Erosion Control Plan - PHASE 1, October 31, 2023 04:22:15pm K:\REAL_LDE\016485000-Scooter's Rolesville\Planning\P15_CAD Files\Sheets\C5.0 EROSION CONTROL PLAN.dwg
 This document, together with the concepts and designs presented herein, is intended only for the specific purpose and client for which it was prepared. Reuse of and improper reliance on this document without written authorization and adaptation by Kimley-Horn and Associates, Inc. shall be without liability to Kimley-Horn and Associates, Inc.

DATE
BY

REVISIONS
NO.

© 2023 KIMLEY-HORN AND ASSOCIATES, INC.
 WWW.KIMLEY-HORN.COM PHONE: 919.677.2000 FAX: 919.677.2050
 #F-0102 WWW.KIMLEY-HORN.COM PHONE: 919.677.2000 FAX: 919.677.2050
 421 FAYETTEVILLE STREET, SUITE 800, RALEIGH, NC 27601

SCOOTER'S ROLESVILLE
 PREPARED FOR
S&S JAVA ENTERPRISES

EROSION CONTROL PLAN - PHASE 1

SHEET NUMBER
C5.0



Plotted By: Alexander, Jamal Sheet S&S SCOOTER'S ROLESVILLE Layout: CS.1 EROSION CONTROL PLAN - PHASE 2, October 31, 2023 04:22:23pm K:\RAL_LDE\016485000-Scooter's Rolesville\Planning\15 CAD Files\Sheet\CS.1 EROSION CONTROL PLAN - PHASE 2.dwg
 This document, together with the concepts and designs presented herein, is intended only for the specific purpose and client for which it was prepared. Reuse of and improper reliance on this document without written authorization and adaptation by Kimley-Horn and Associates, Inc. shall be without liability to Kimley-Horn and Associates, Inc.

SELF MONITORING AND INSPECTION NOTIFICATION

THE SEDIMENTATION POLLUTION CONTROL ACT WAS AMENDED IN 2006 TO REQUIRE THAT PERSONS RESPONSIBLE FOR LAND-DISTURBING ACTIVITIES INSPECT A PROJECT AFTER EACH PHASE OF THE PROJECT TO MAKE SURE THAT THE APPROVED EROSION AND SEDIMENTATION CONTROL PLAN IS BEING FOLLOWED. RULES DETAILING THE DOCUMENTATION OF THESE INSPECTIONS BECAME EFFECTIVE OCTOBER 1, 2010. TO SIMPLIFY DOCUMENTATION OF SELF-INSPECTION REPORTS AND NPDES SELF-MONITORING REPORTS, A COMBINED FORM IS NOW AVAILABLE. THE NEW FORM WAS DEVELOPED TO SATISFY THE REQUIREMENTS OF THE SEDIMENTATION POLLUTION CONTROL ACT AND THE NPDES STORMWATER PERMIT FOR CONSTRUCTION ACTIVITIES, NCGS 01006 BEGINNING AUGUST 1, 2013. THE DIVISION OF ENERGY, MINERAL, AND LAND RESOURCES IS RESPONSIBLE FOR ADMINISTERING BOTH THE SPCA AND THE NPDES STORMWATER PERMIT FOR CONSTRUCTION ACTIVITIES, NCGS 01006. THE COMBINED FORM SHOULD MAKE IT EASIER TO COMPLY WITH SELF-INSPECTION REQUIREMENTS. THE COMBINED SELF-MONITORING FORM IS AVAILABLE AS A PDF AND WORD DOCUMENT FROM THE LAND QUALITY WEB SITE, [HTTP://PORTAL.NC DENR.ORG/WEB/EROSION](http://portal.ncdenr.org/web/EROSION) IF YOU HAVE QUESTIONS, PLEASE CONTACT THE LAND QUALITY SECTION AT NCDEQ REGIONAL OFFICE.

MAINTENANCE NOTES:

DURING THE DEVELOPMENT OF A SITE, THE DEVELOPER SHALL INSTALL AND MAINTAIN ALL TEMPORARY AND PERMANENT STORMWATER CONTROL MEASURES AS REQUIRED BY THE APPROVED PLAN OR ANY PROVISION OF THIS ARTICLE. THE ACT OR ANY ORDER ADOPTED PURSUANT TO THIS ARTICLE OR THE ACT AFTER SITE DEVELOPMENT, THE DEVELOPER SHALL INSTALL AND/OR MAINTAIN ALL NECESSARY PERMANENT STORMWATER CONTROL MEASURES SPECIFIED IN THE APPROVED PLAN, EXCEPT THOSE MEASURES INSTALLED WITHIN A ROAD OR STREET RIGHT-OF-WAY OR EASEMENT ACCEPTED FOR MAINTENANCE BY A GOVERNMENTAL AGENCY. CONVEYANCE OF THE PROPERTY SHALL NOT TERMINATE THE ORIGINAL DEVELOPER'S OBLIGATIONS UNDER THIS ARTICLE UNTIL SUCH TIME AS A REPLACEMENT PERMIT IS APPROVED BY THE COUNTY ENGINEER, OR DESIGNEE. THE ORIGINAL DEVELOPER SHALL INCLUDE IN THE DEED CONVEYING THE PROPERTY NOTICE OF THE EXISTENCE OF THE STORMWATER CONTROL MEASURES AND THE PURCHASER'S OBLIGATIONS TO MAINTAIN AND INSPECT THEM AND TO OBTAIN A PERMIT AND OTHERWISE COMPLY WITH THE TERMS OF THIS ARTICLE. REFER TO THE EROSION CONTROL DETAILS SHEET FOR ADDITIONAL MAINTENANCE NOTES. THE FOLLOWING ITEMS WILL BE CHECKED IN PARTICULAR:

- CONSTRUCTION ENTRANCE:**
INSPECT CONSTRUCTION ROADS AND PARKING AREAS PERIODICALLY FOR CONDITION OF SURFACE. TOP DRESS WITH NEW GRAVEL AS NEEDED. CHECK ROAD DITCHES AND OTHER SEEDED AREAS FOR EROSION AND SEDIMENTATION AFTER RUNOFF-PRODUCING RAINS. MAINTAIN ALL VEGETATION IN A HEALTHY, VIGOROUS CONDITION. SEDIMENT PRODUCING AREAS SHOULD BE TREATED IMMEDIATELY.
- SILT FENCE:**
INSPECT SEDIMENT FENCES AT LEAST ONCE A WEEK AND AFTER EACH RAINFALL. MAKE ANY REQUIRED REPAIRS IMMEDIATELY. SHOULD THE FABRIC OF A SEDIMENT FENCE COLLAPSE, TEAR, DECOMPOSE, OR BECOME INEFFECTIVE, REPLACE IT IMMEDIATELY. REMOVE SEDIMENT DEPOSITS AS NECESSARY TO PROVIDE ADEQUATE STORAGE VOLUME FOR THE NEXT RAIN AND TO REDUCE PRESSURE ON THE FENCE. TAKE CARE TO AVOID UNDERMINING THE FENCE DURING CLEANOUT. REMOVE ALL FENCING MATERIAL AND UNSTABLE SEDIMENT DEPOSITS AND BRING THE AREA TO GRADE AND STABILIZE IT AFTER THE CONTRIBUTING DRAINAGE AREA HAS BEEN PROPERLY STABILIZED.
- SILT FENCE GRAVEL OUTLET:**
INSPECT SEDIMENT FENCE GRAVEL OUTLETS AT LEAST ONCE A WEEK AND AFTER EACH RAINFALL. MAKE ANY REQUIRED REPAIRS IMMEDIATELY. REMOVE SEDIMENT DEPOSITS AS NECESSARY TO PROVIDE ADEQUATE STORAGE VOLUME FOR THE NEXT RAIN. ANY RIP RAP DISPLACED MUST BE REPLACED IMMEDIATELY.
- BLOCK AND GRAVEL INLET PROTECTION:**
INSPECT THE BARRIER OF AFTER EACH RAIN AND MAKE REPAIRS AS NEEDED. REMOVE SEDIMENT AS NECESSARY TO PROVIDE ADEQUATE STORAGE VOLUME FOR SUBSEQUENT RAINS. WHEN THE CONTRIBUTING DRAINAGE AREA HAS BEEN ADEQUATELY STABILIZED, REMOVE ALL MATERIALS AND ANY UNSTABLE SOIL, AND EITHER SALVAGE OR DISPOSE OF IT PROPERLY. BRING THE DISTURBED AREA TO PROPER GRADE, THEN SMOOTH AND COMPACT IT. APPROPRIATELY STABILIZE ALL BARE AREAS AROUND THE INLET.

NPDES GROUND COVER REQUIREMENTS

SITE AREA DESCRIPTION	STABILIZATION	TIME FRAME EXCEPTIONS
PERIMETER DIKES, SWALES, DITCHES, SLOPES	7 DAYS	NONE
HIGH QUALITY WATER (HOW) ZONES	7 DAYS	NONE
SLOPES STEEPER THAN 3:1	7 DAYS	IF SLOPES ARE 10' OR LESS IN LENGTH AND ARE NOT STEEPER THAN 2:1, 14 DAYS ARE ALLOWED.
SLOPES 3:1 OR FLATTER	14 DAYS	7 DAYS FOR SLOPES GREATER THAN 50' IN LENGTH
ALL OTHER AREAS WITH SLOPES FLATTER THAN 4:1	14 DAYS	NONE EXCEPT FOR PERIMETERS AND HOW ZONES.

SILT FENCES SHOWN ON PLANS ARE FOR REPRESENTATIVE PURPOSES. CONSTRUCT DIRECTLY ALONG THE CLEARING LIMITS WHERE APPLICABLE.

SILT FENCE OUTLETS ARE TO BE PROVIDED ALONG ALL LOW POINTS OF SILT FENCE AND AREAS WHERE RUNOFF MAY CONCENTRATE CAUSING DAMAGE TO SILT FENCE. CONTRACTOR TO INSTALL OUTLETS AS NECESSARY TO ENSURE SILT FENCE IS FULLY FUNCTIONAL THROUGHOUT THE DURATION OF CONSTRUCTION.

REFER TO GENERAL NOTES SHEET C0.1 FOR EROSION CONTROL, SEEDBED PREPARATION, AND SEEDING SCHEDULE NOTES FOR BOTH PHASES.

DISTURBED AREA: 0.77 AC

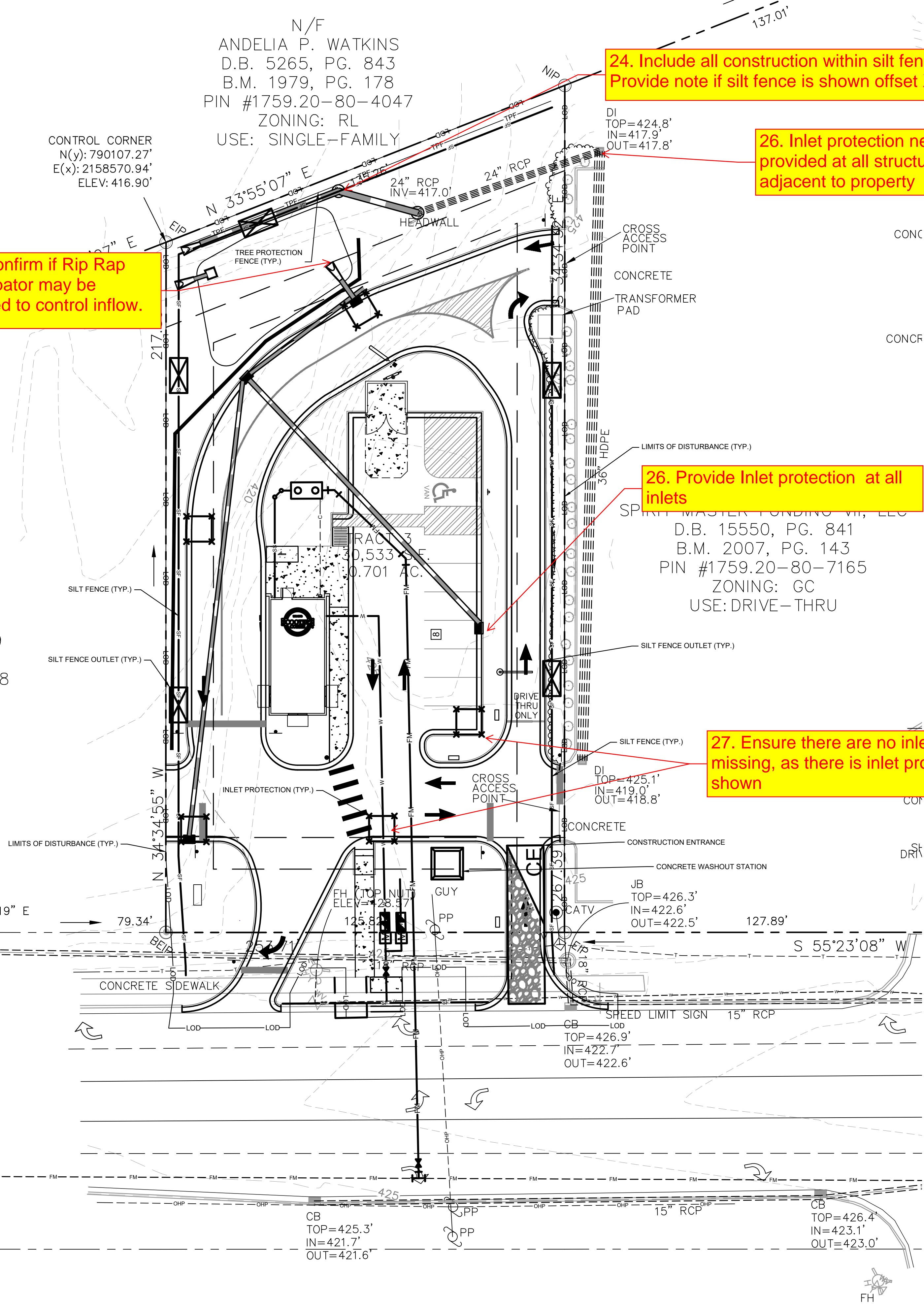
25. Confirm if Rip Rap dissipator may be needed to control inflow.

24. Include all construction within silt fence. Provide note if silt fence is shown offset X ft.

26. Inlet protection needs to be provided at all structures adjacent to property

26. Provide Inlet protection at all inlets

27. Ensure there are no inlets missing, as there is inlet protection shown



EROSION CONTROL LEGEND

---	PROPERTY LINE
---	TEMPORARY CONSTRUCTION EASEMENT
---	CLEARING LIMITS
---	SILT FENCE
---	TREE PROTECTION FENCE
---	COMBINATION TREE PROTECTION/ SILT FENCE
→ TD → TD	TEMPORARY DIVERSION DITCH
→ TD(CW) →	CLEAN WATER DIVERSION DITCH
→ X →	SEDIMENT BASIN POROUS Baffles
→ →	PUMP DISCHARGE HOSE
---	EXISTING CONTOUR
---	PROPOSED CONTOUR
---	DRAINAGE AREA BOUNDARY
---	CONSTRUCTION ENTRANCE
---	SILT FENCE OUTLET
---	CONCRETE WASHOUT STATION
---	ROCK CHECK DAM
---	INLET PROTECTION
---	ROCK PIPE INLET PROTECTION
---	SKIMMER
---	TEMPORARY SLOPE DRAIN
---	RIP-RAP OUTLET PROTECTION
---	SILT BAG
---	DESIGNATED AREAS TO BE STABILIZED WITHIN 7 DAYS
---	TEMPORARY EROSION CONTROL MATTING

PHASE 2 CONSTRUCTION SEQUENCE:

- THE FOLLOWING PHASE 2 CONSTRUCTION SEQUENCE IS FURNISHED AS A GENERAL GUIDE FOR PREPARATION OF A SEQUENCE OF CONSTRUCTION EVENTS.
- MAINTAIN CONSTRUCTION ENTRANCE AND SILT FENCE.
- CALL FOR ON-SITE INSPECTION BY INSPECTOR ONCE ALL PHASE 2 EROSION CONTROL MEASURES ARE INSTALLED. OBTAIN CERTIFICATE OF COMPLIANCE FROM WAKE COUNTY.
- CONTRACTOR IS TO CUT AND/OR FILL AREAS TO BRING THE SITE TO THE PROPOSED GRADES SHOWN ON THE GRADING AND DRAINAGE PLANS. GRADING ACTIVITY SHALL BE LIMITED TO WITHIN THE CLEARING LIMITS. MAINTAIN ALL EROSION CONTROL MEASURES AS NECESSARY.
- PROVIDE GROUND COVER ON SLOPES GREATER THAN 3:1 WITHIN 7 DAYS FOLLOWING COMPLETION OF ANY PHASE OF GRADING. PROVIDE GROUND COVER TO ALL OTHER AREAS WITHIN 14 DAYS FOLLOWING COMPLETION OF ANY PHASE OF GRADING OR INACTIVITY.
- INSTALL STORM DRAINAGE AND PROTECT INLETS WITH BLOCK AND GRAVEL INLET CONTROLS, SEDIMENT TRAPS, OR OTHER APPROVED MEASURES AS SHOWN ON THE PLAN.
- STABILIZE SITE AS AREAS ARE BROUGHT UP TO FINISH GRADE WITH VEGETATION, PAVING, DITCH LININGS, ETC. SEED AND MULCH DENUDED AREAS PER GROUND STABILIZATION TIME FRAMES.
- INSPECT AND REPAIR EROSION CONTROL MEASURES AFTER EVERY RAINFALL EVENT OF 1/2" OR GREATER OR EVERY SEVEN (7) CALENDAR DAYS.
- ALL EROSION CONTROL MEASURES SHALL BE CONSTRUCTED IN ACCORDANCE WITH THE NC DENR EROSION AND SEDIMENT CONTROL PLANNING AND DESIGN MANUAL, U.S. DEPARTMENT OF AGRICULTURE, AND CITY OF GREENVILLE EROSION CONTROL ORDINANCE.
- REFER TO SHEET C0.1 - GENERAL NOTES FOR GENERAL EROSION CONTROL NOTES AND MAINTENANCE.
- ALL EROSION CONTROL MEASURES TO REMAIN IN PLACE UNTIL +/- 80% STABILIZATION IS ACHIEVED.
- ONCE CONSTRUCTION IS COMPLETE AND ENTIRE SITE IS STABILIZED, CALL FOR FINAL INSPECTION BY WAKE COUNTY ENVIRONMENTAL CONSULTANT. IF APPROVED, REMOVE REMAINING EROSION CONTROL MEASURES. ALL REMAINING PERMANENT EROSION CONTROL DEVICES SHOULD NOW BE INSTALLED.
- WHEN VEGETATION HAS BECOME ESTABLISHED, CALL FOR A FINAL INSPECTION BY WAKE COUNTY ENVIRONMENTAL CONSULTANT. OBTAIN A CERTIFICATE OF COMPLETION.

LIMITS OF DISTURBANCE: 0.77 AC

SURVEY NOTE:
EXISTING TOPOGRAPHICAL INFORMATION IS BASED ON A TOPOGRAPHIC SURVEY OBTAINED ON 02/23/2023 BY CMP PROFESSIONAL LAND SURVEYORS, 333 S. WHITE STREET, WAKE FOREST, NC 27888. PHONE: (919) 556-3148. CONTRACTOR SHALL BE RESPONSIBLE FOR VERIFYING ALL EXISTING INFORMATION, DEFICIT OR NOT, PRIOR TO CONSTRUCTION AND REPORT POTENTIAL CONFLICTS TO OWNER AND ENGINEER.

Kimley-Horn
© 2023 KIMLEY-HORN AND ASSOCIATES, INC.
421 FAYETTEVILLE STREET, SUITE 600, RALEIGH, NC 27601
#F-0102 WWW.KIMLEY-HORN.COM PHONE: 919.677.2000 FAX: 919.677.2050

SCOOTER'S ROLESVILLE
EROSION CONTROL PLAN - PHASE 2
PREPARED FOR S&S JAVA ENTERPRISES ROLESVILLE NC

NO.	REVISIONS	DATE	BY
1			
2			
3			
4			
5			
6			
7			
8			
9			
10			

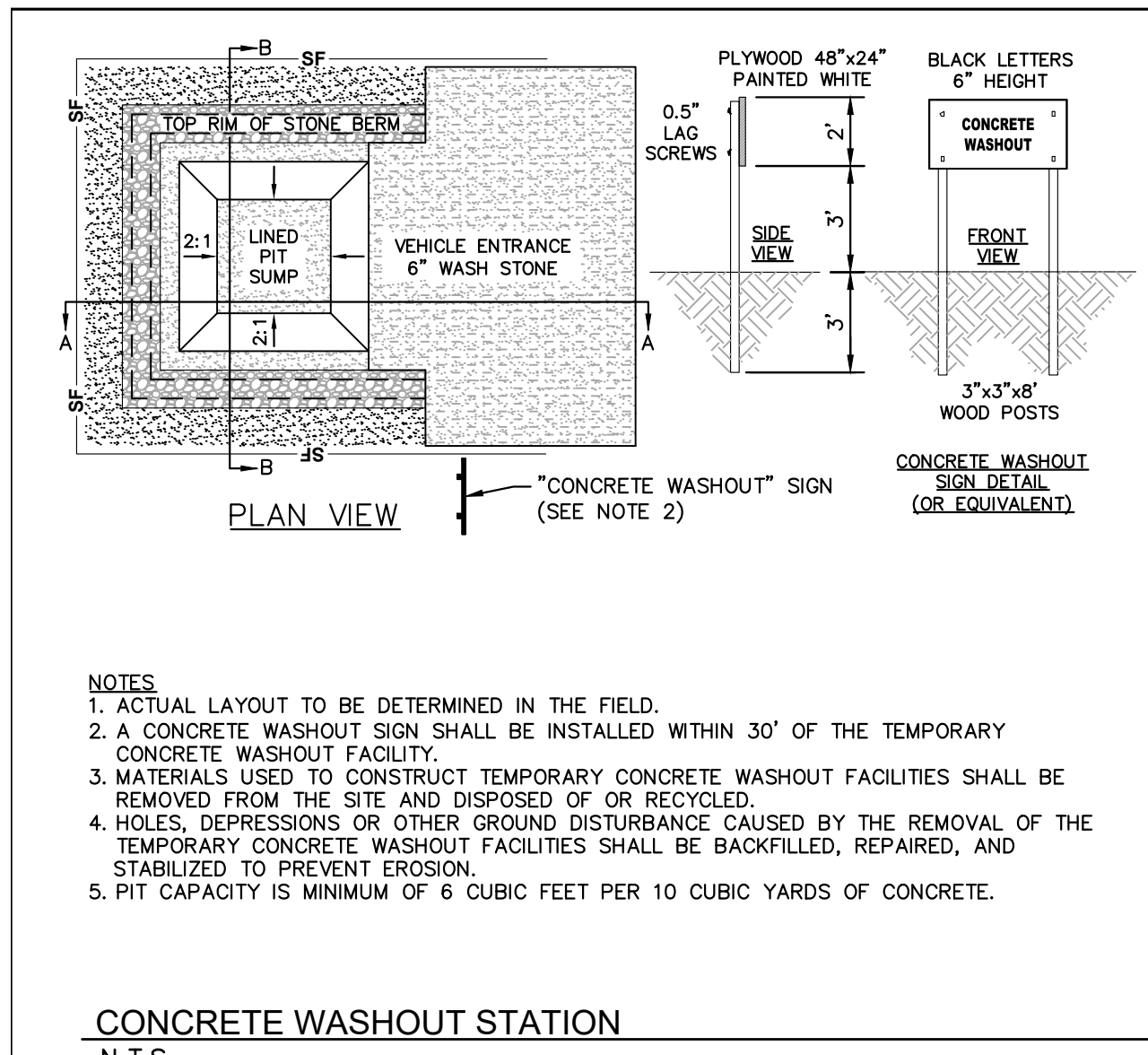
KHA PROJECT: 016485000
DATE: 10/31/2023
SCALE: AS SHOWN
DESIGNED BY: JAA
DRAWN BY: JAA
CHECKED BY: COB

SHEET NUMBER **C5.1**

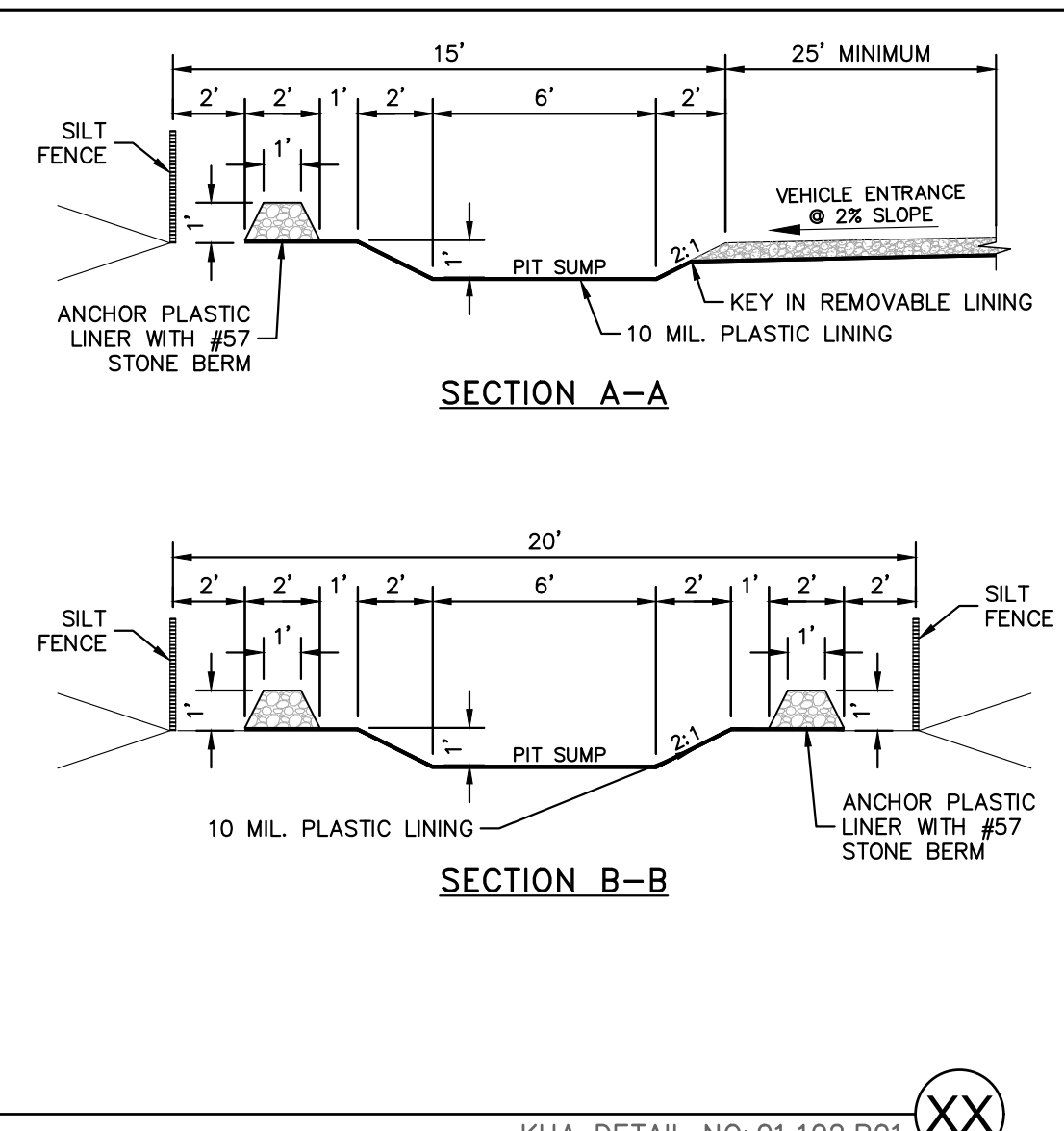


Know what's below.
Call before you dig.

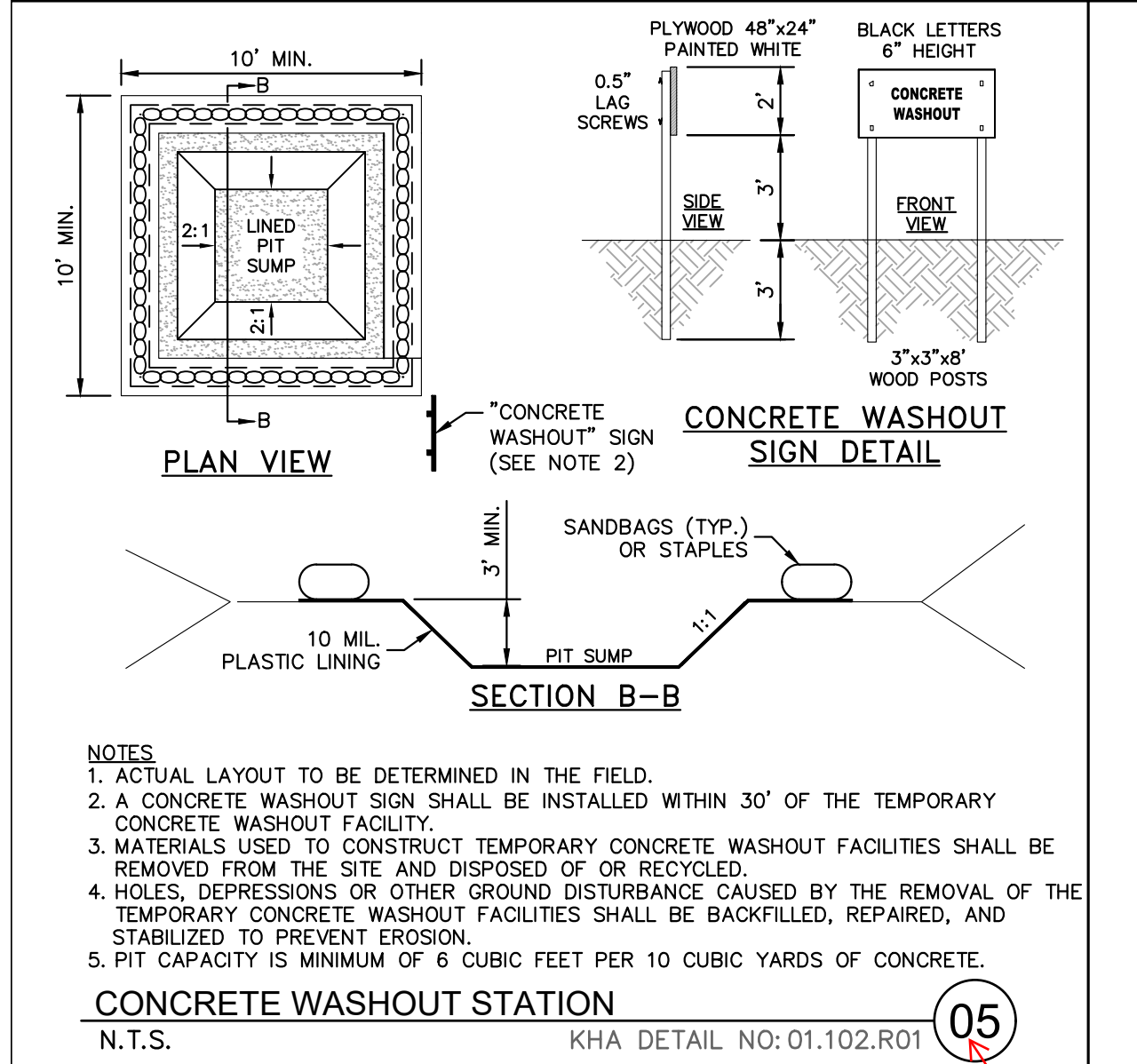
Plotted By: Alexander, Jamal Sheet Set: SCOOTER'S ROLESVILLE EROSION CONTROL DETAILS October 31, 2023 04:22:33pm K:\RAL\DEVO\16485000-Scoters Rolesville\Planning\19-CAD Files\PlanSheets\C52 EROSION CONTROL DETAILS.dwg
 This document, together with the concepts and designs presented herein, is intended only for the specific purpose and client for which it was prepared. Reuse of and improper reliance on this document without written authorization and adaptation by Kimley-Horn and Associates, Inc. shall be without liability to Kimley-Horn and Associates, Inc.



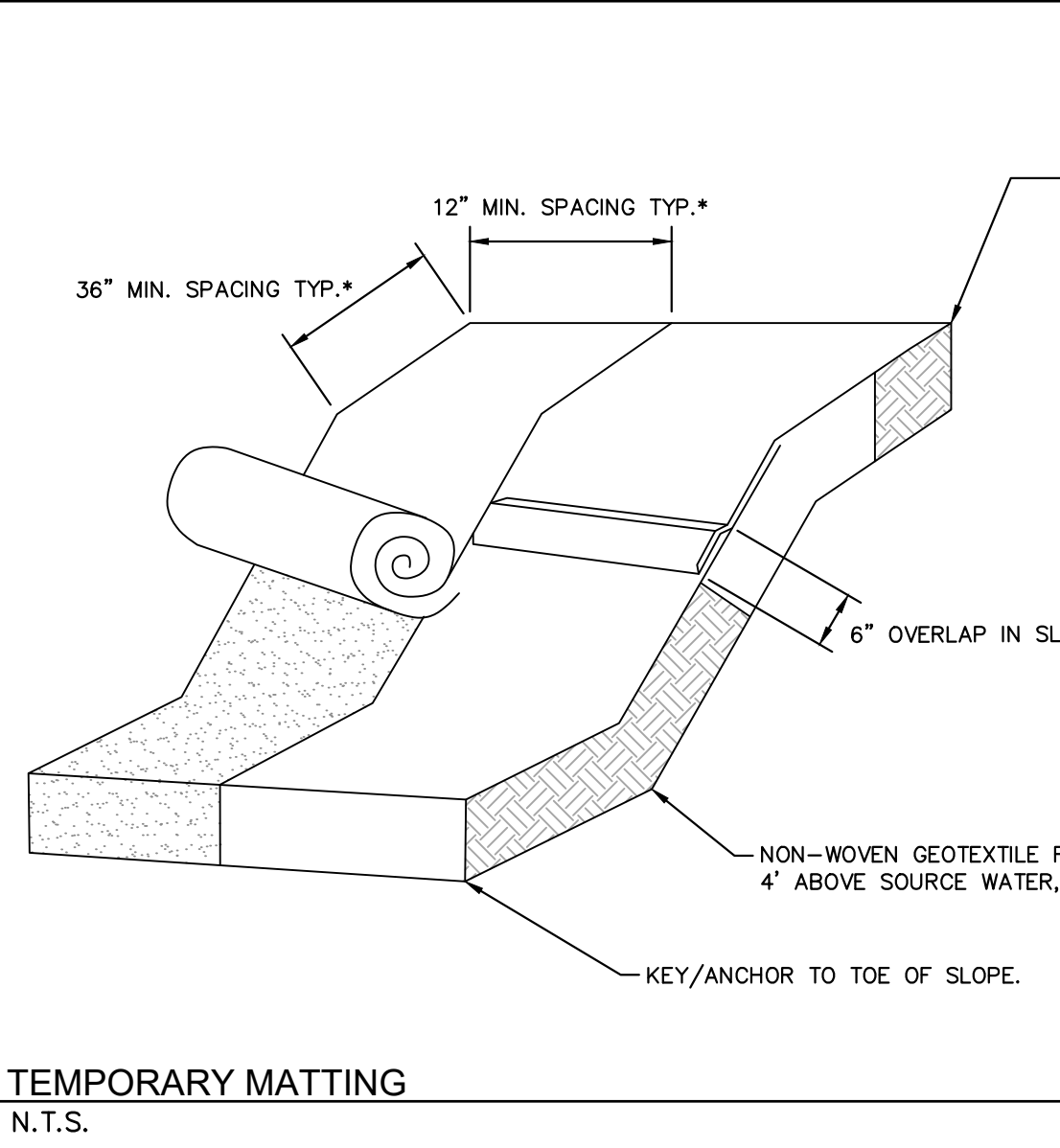
CONCRETE WASHOUT STATION
N.T.S. KHA DETAIL NO: 01.102.R01 XX



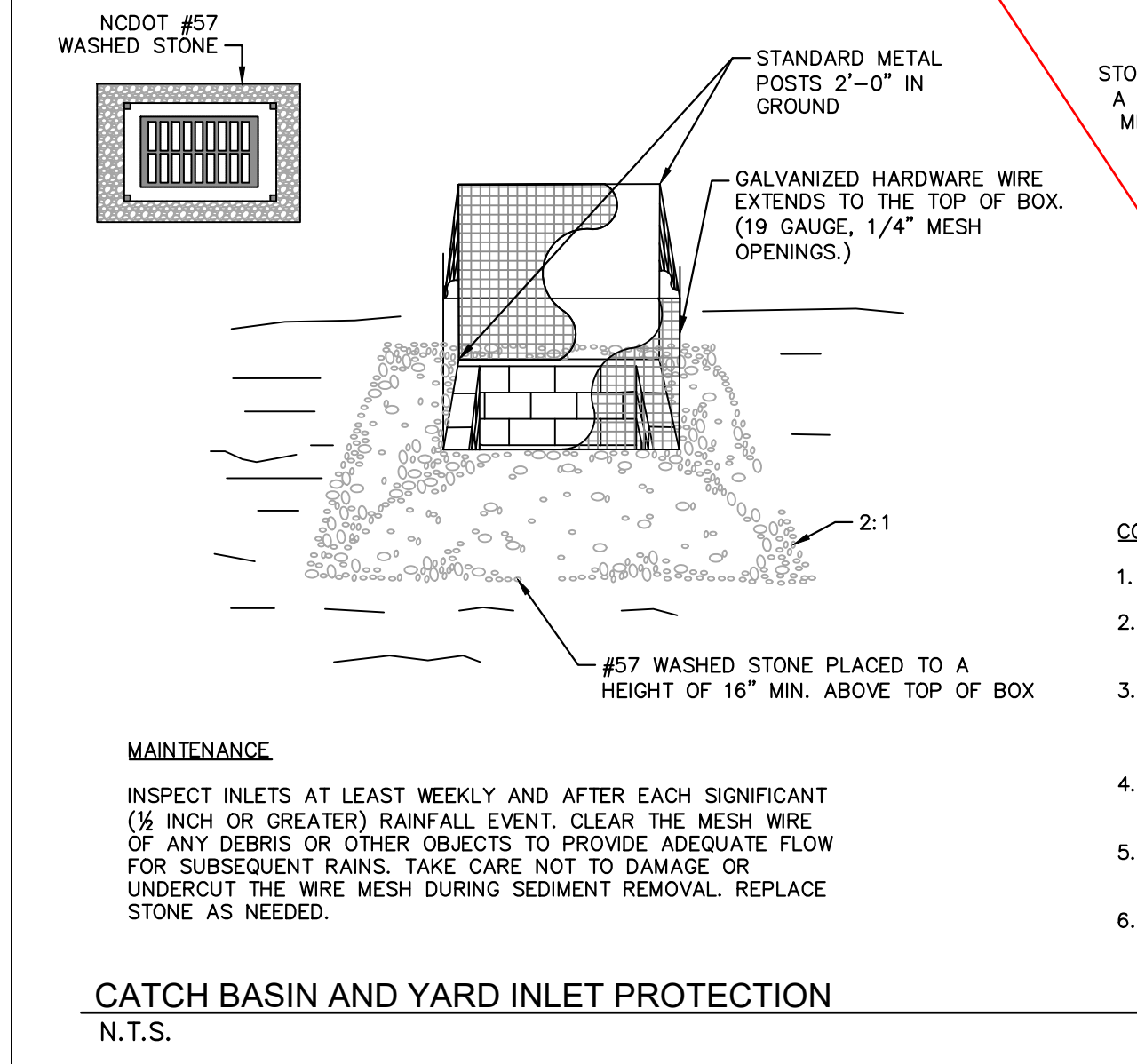
TEMPORARY SEEDING SCHEDULE AND SEEDBED PREPARATION
N.T.S. KHA DETAIL NO: 01.104.R01 XX



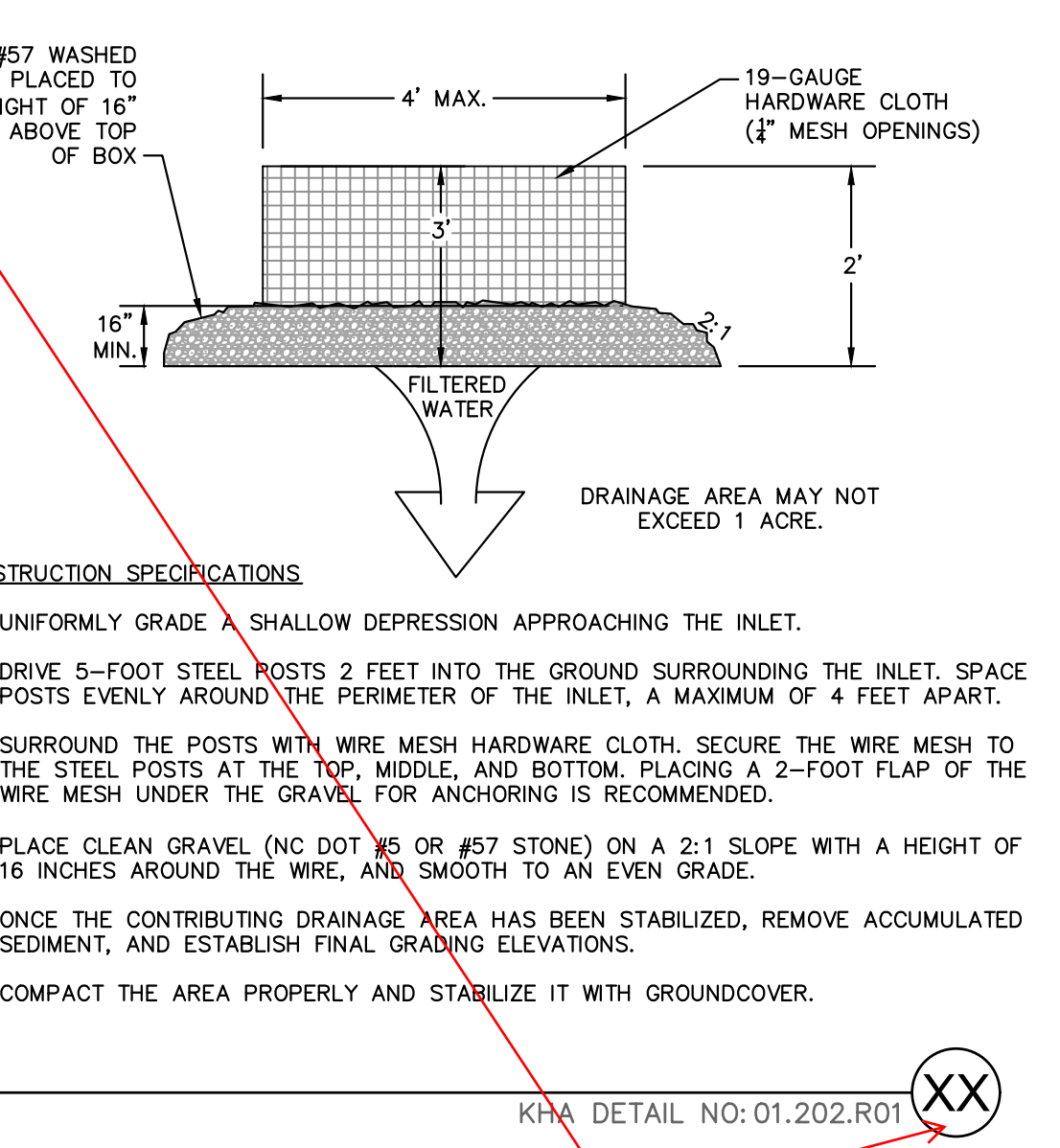
CONCRETE WASHOUT STATION
N.T.S. KHA DETAIL NO: 01.102.R01 05



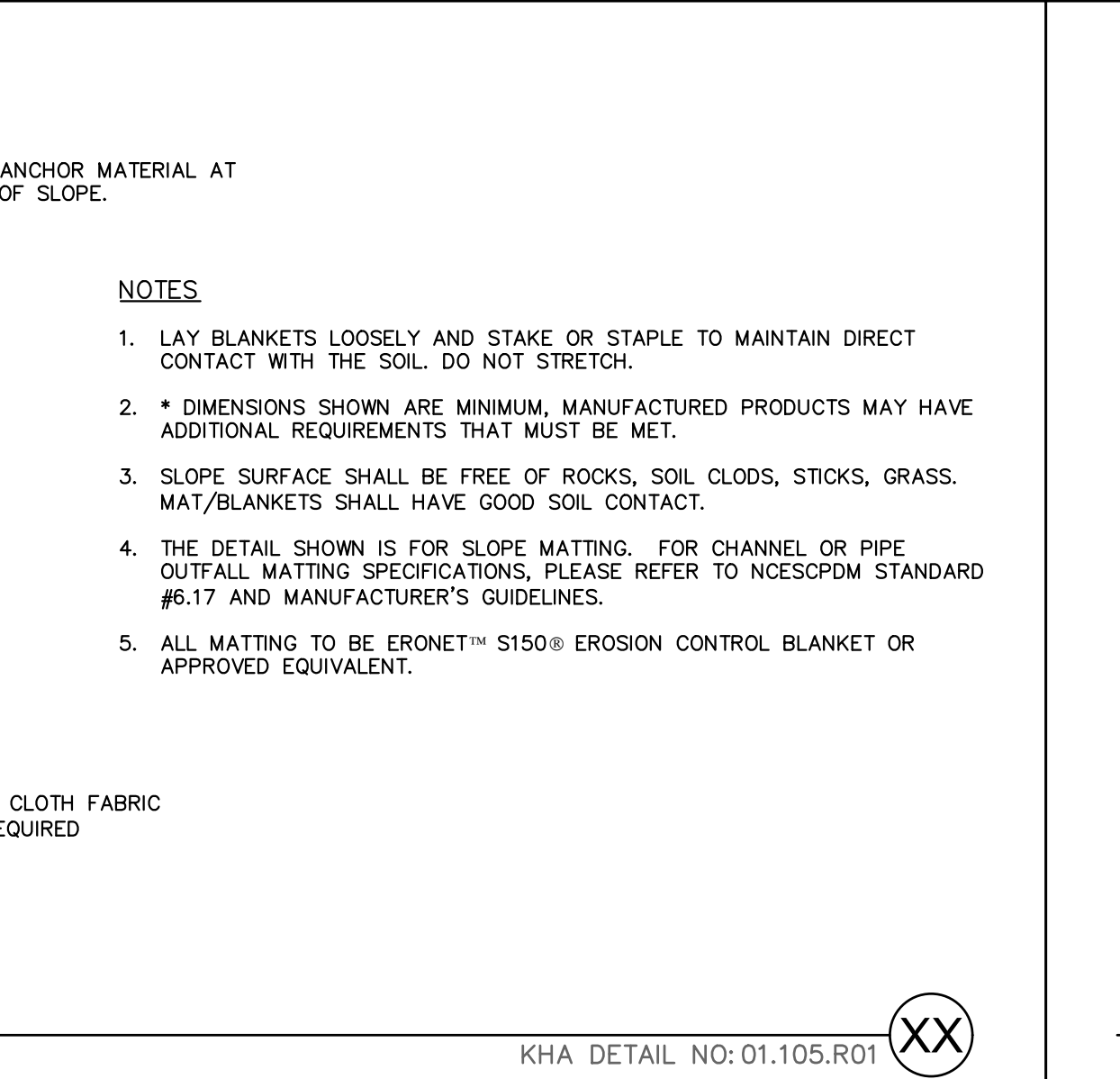
TEMPORARY MATTING
N.T.S. KHA DETAIL NO: 01.105.R01 XX



CATCH BASIN AND YARD INLET PROTECTION
N.T.S. KHA DETAIL NO: 01.202.R01 XX



CATCH BASIN SILT PROTECTION INSERT
N.T.S. KHA DETAIL NO: 01.203.R01 XX



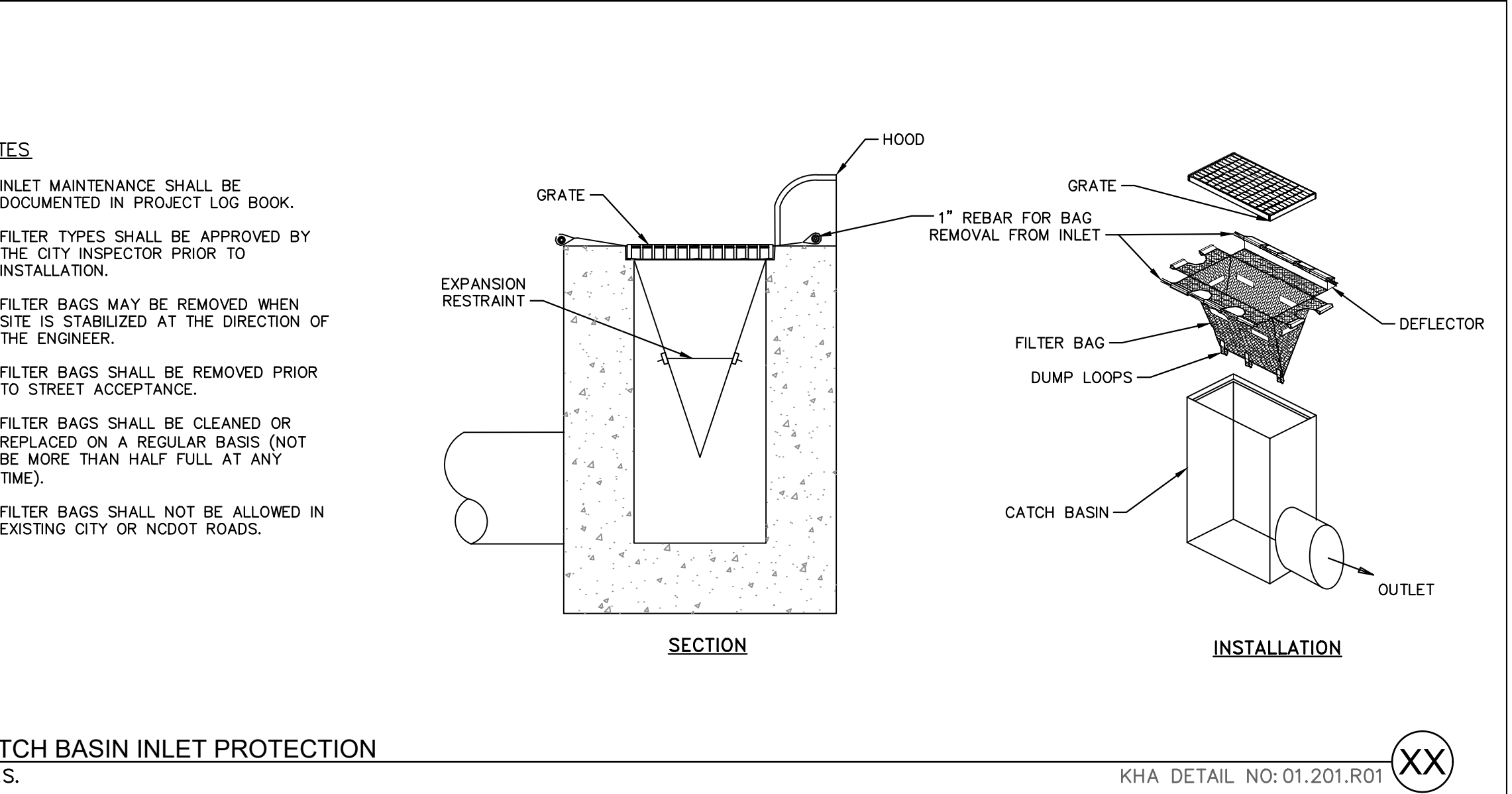
CATCH BASIN INLET PROTECTION
N.T.S. KHA DETAIL NO: 01.201.R01 XX

CAPACITY CHART

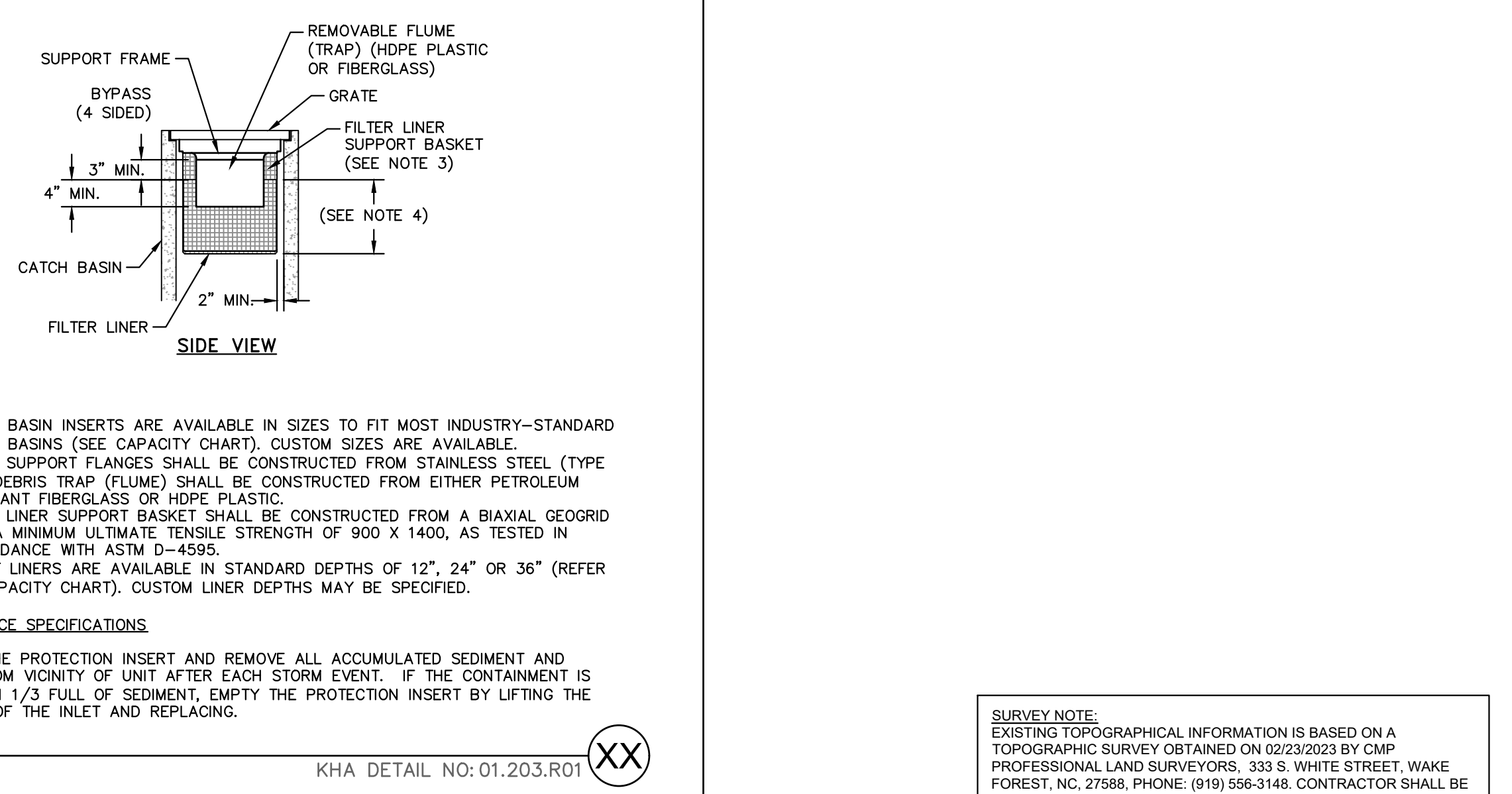
MODEL NO.	INLET SIZE	LINER DEPTH	STORAGE CAPACITY*	CLEAN FLOW RATE**
FF-2424HC	24" x 24"	12"	1.67 CU. FT.	470 GPM
"	24" x 24"	24"	4.18 CU. FT.	914 GPM
"	24" x 24"	36"	6.69 CU. FT.	1,357 GPM
FF-2436HC	24" x 36"	12"	2.55 CU. FT.	641 GPM
"	24" x 36"	24"	6.38 CU. FT.	1,201 GPM
"	24" x 36"	36"	10.20 CU. FT.	1,761 GPM
FF-3636HC-60	36" x 36"	12"	3.36 CU. FT.	772 GPM
"	36" x 36"	24"	8.39 CU. FT.	1,402 GPM
"	36" x 36"	36"	13.43 CU. FT.	2,032 GPM

* STORAGE CAPACITY REFLECTS MAXIMUM SOLIDS COLLECTION PRIOR TO IMPEDING BYPASS.
** FLOW RATES ARE "CALCULATED CLEAN FLOW RATES" BASED ON LINER MATERIAL FLOW RATE OF 70 GPM/SQ. FT. (RECOMMEND APPLYING FACTOR OF .25 TO .50 TO FLOW RATES TO ALLOW FOR SEDIMENT AND DEBRIS)

CATCH BASIN SILT PROTECTION INSERT
N.T.S. KHA DETAIL NO: 01.203.R01 XX



CATCH BASIN INLET PROTECTION
N.T.S. KHA DETAIL NO: 01.201.R01 XX



CATCH BASIN INLET PROTECTION
N.T.S. KHA DETAIL NO: 01.201.R01 XX

Please provide consistency for all details either numbering them or not.

SCOOTER'S ROLESVILLE EROSION CONTROL DETAILS

PREPARED FOR S&S JAVA ENTERPRISES ROLESVILLE NC

Kimley-Horn

© 2023 KIMLEY-HORN AND ASSOCIATES, INC.
#F-0102 WWW.KIMLEY-HORN.COM PHONE: 919.677.2000 FAX: 919.677.2050
421 FAYETTEVILLE STREET, SUITE 800, RALEIGH, NC 27601

DATE

REVISIONS

NO.

KHA PROJECT 016485000

DATE 10/31/2023

SCALE AS SHOWN

DESIGNED BY JAA

DRAWN BY JAA

CHECKED BY COB

DATE

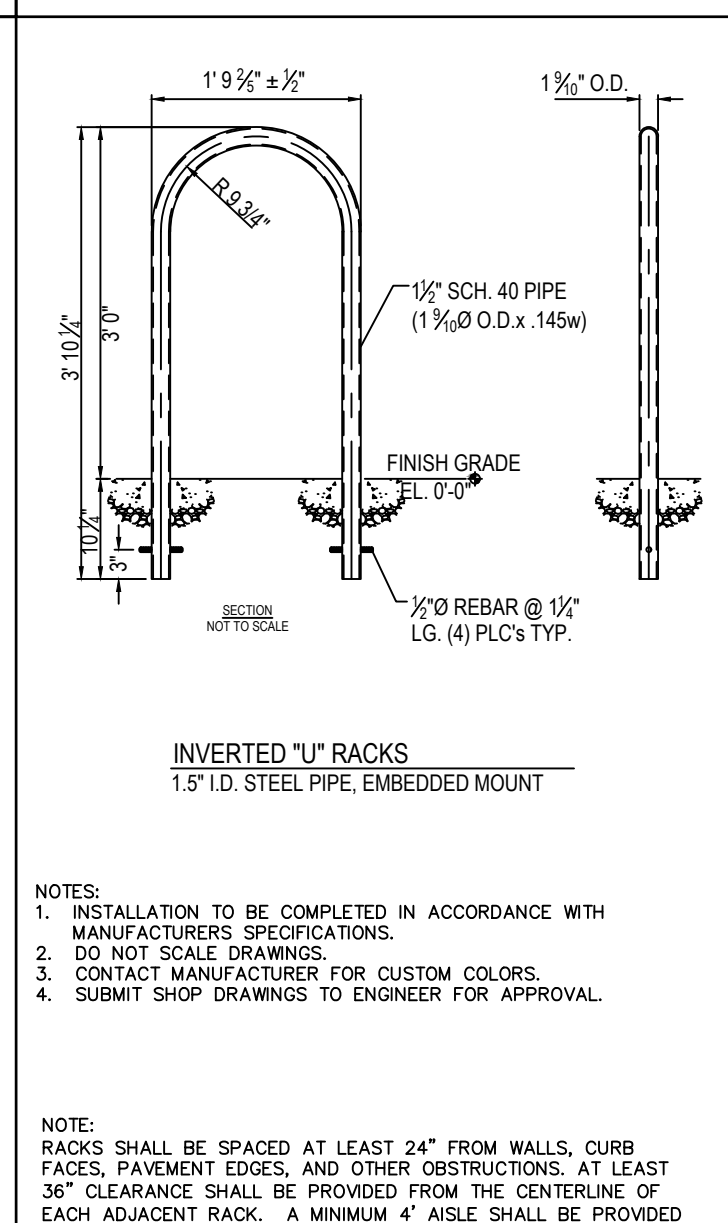
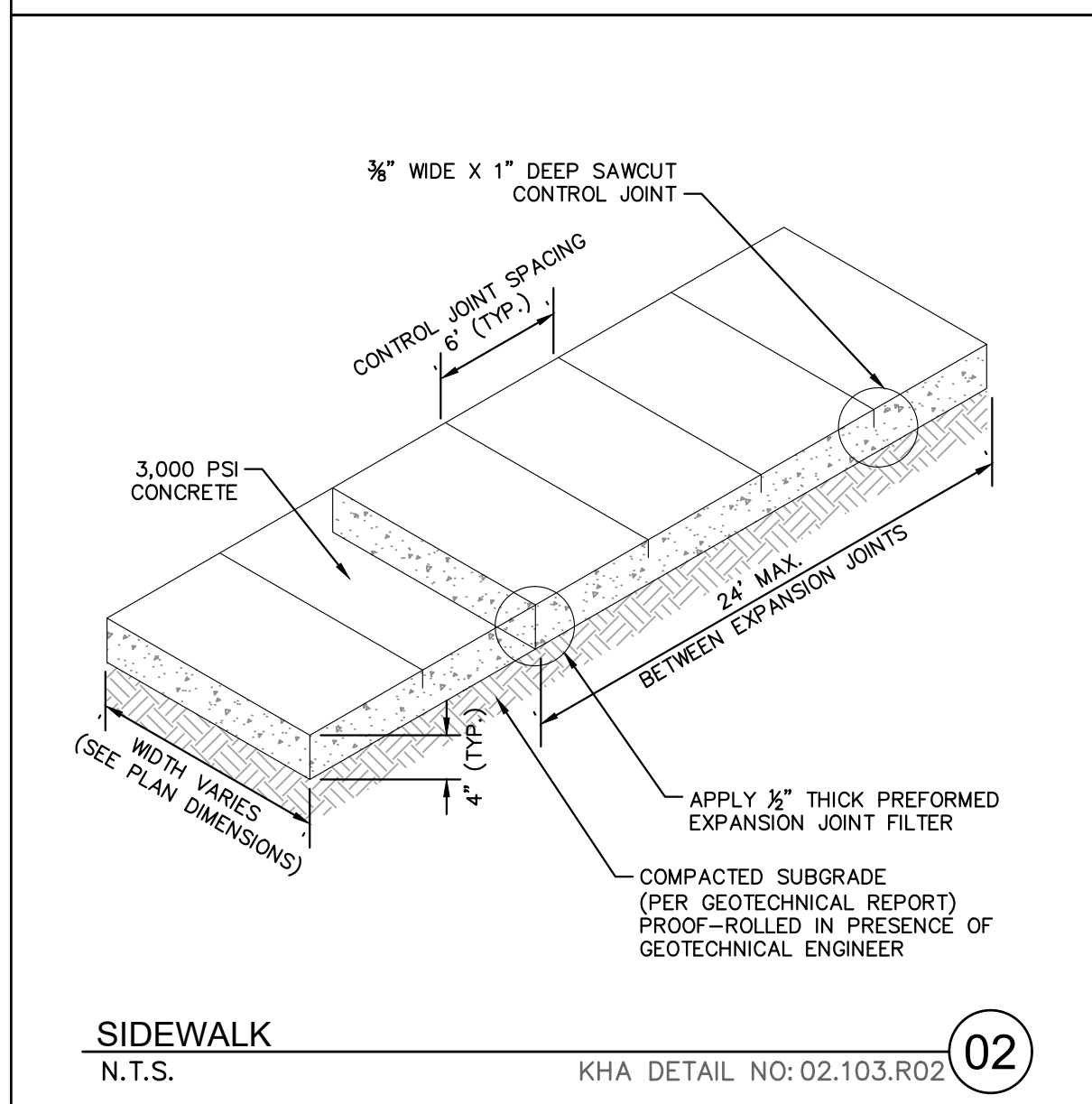
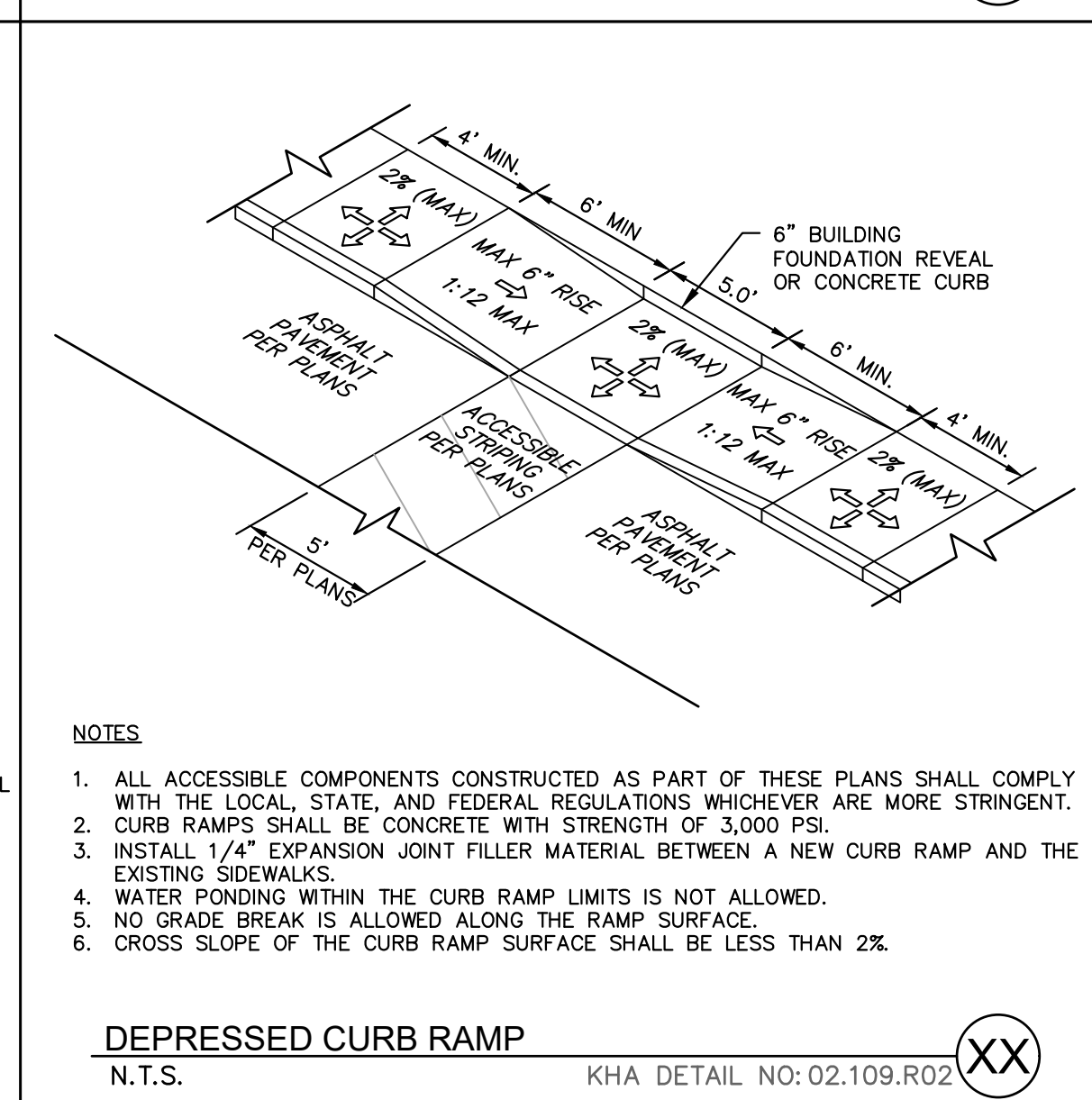
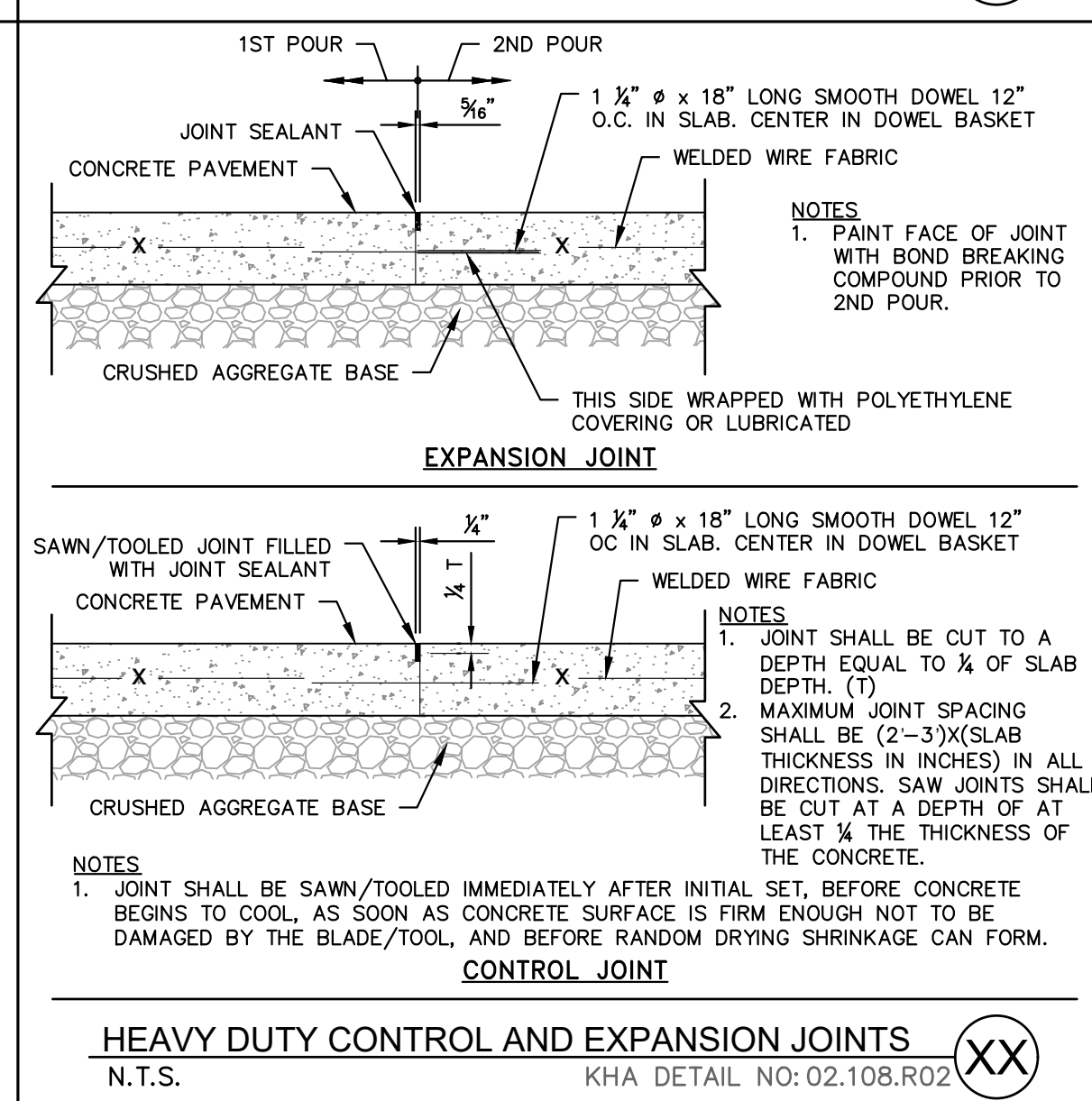
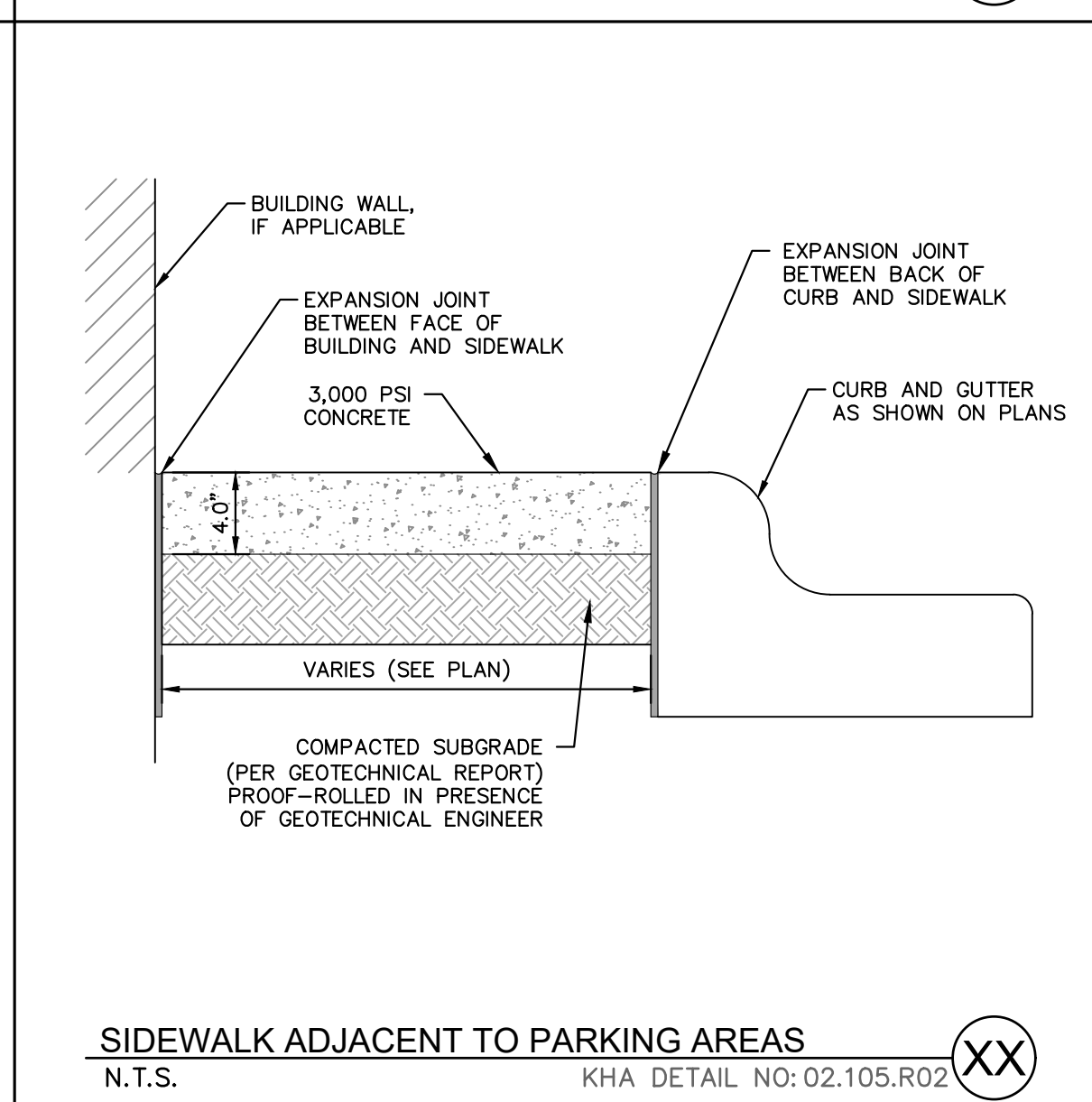
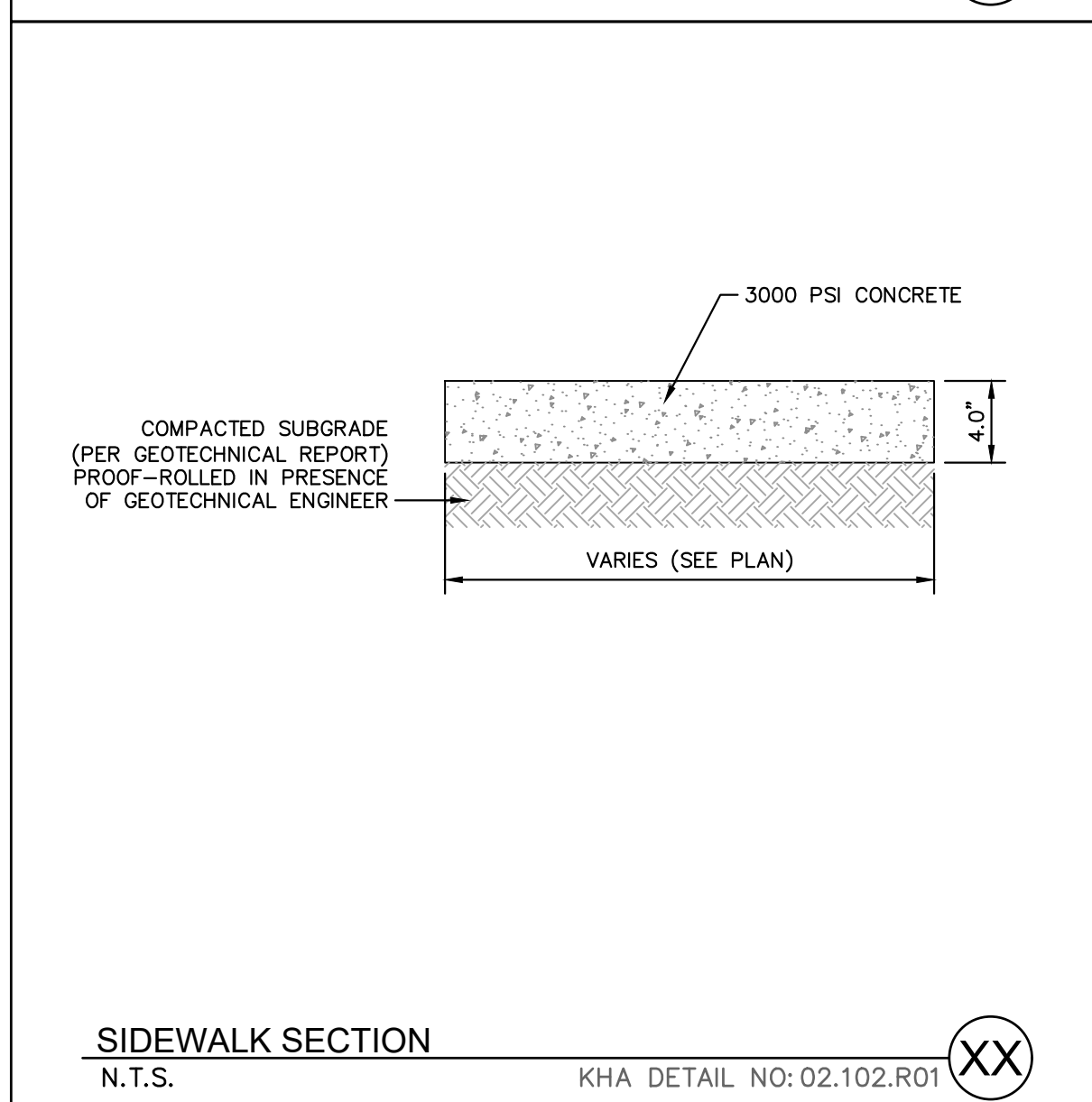
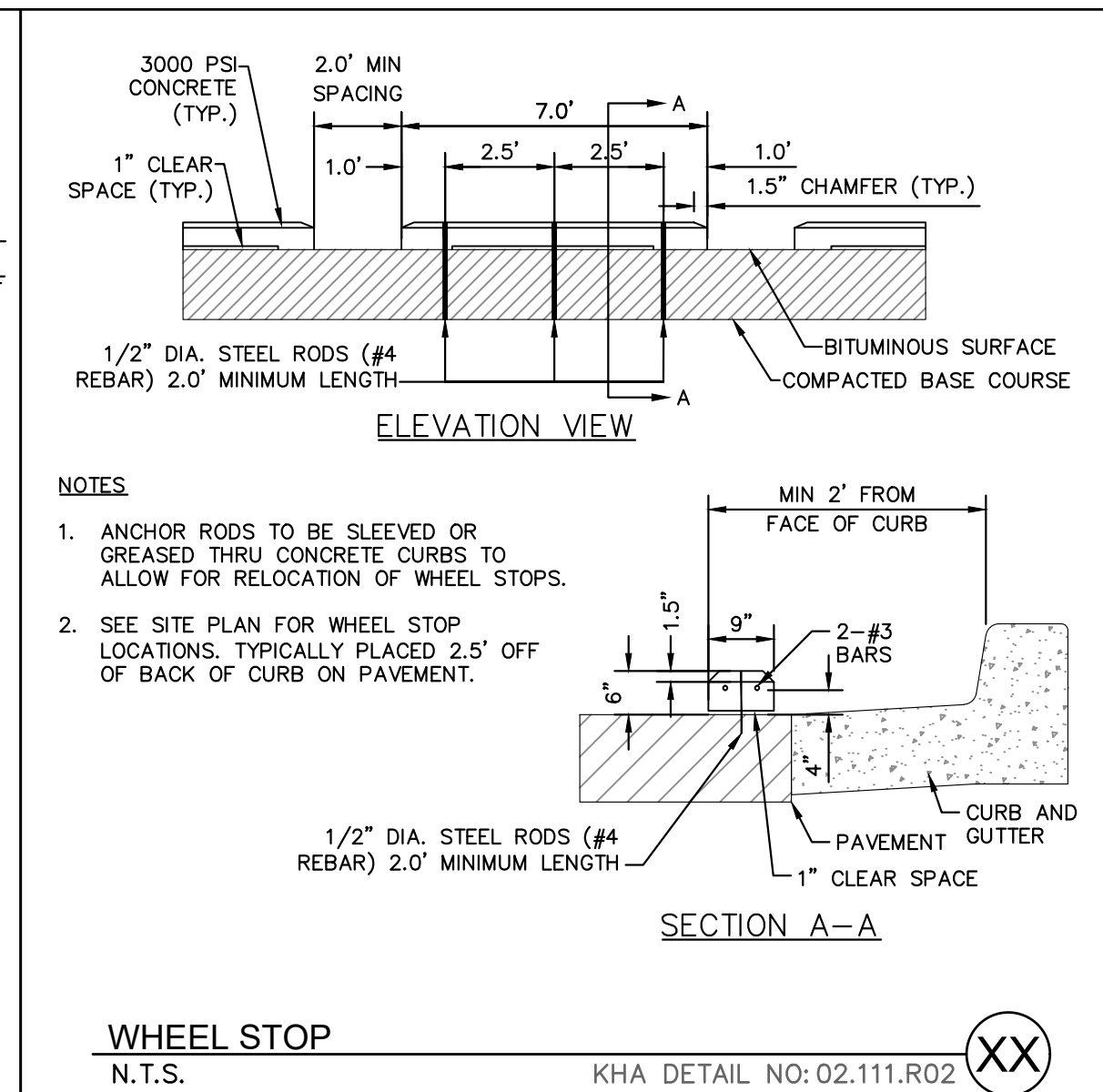
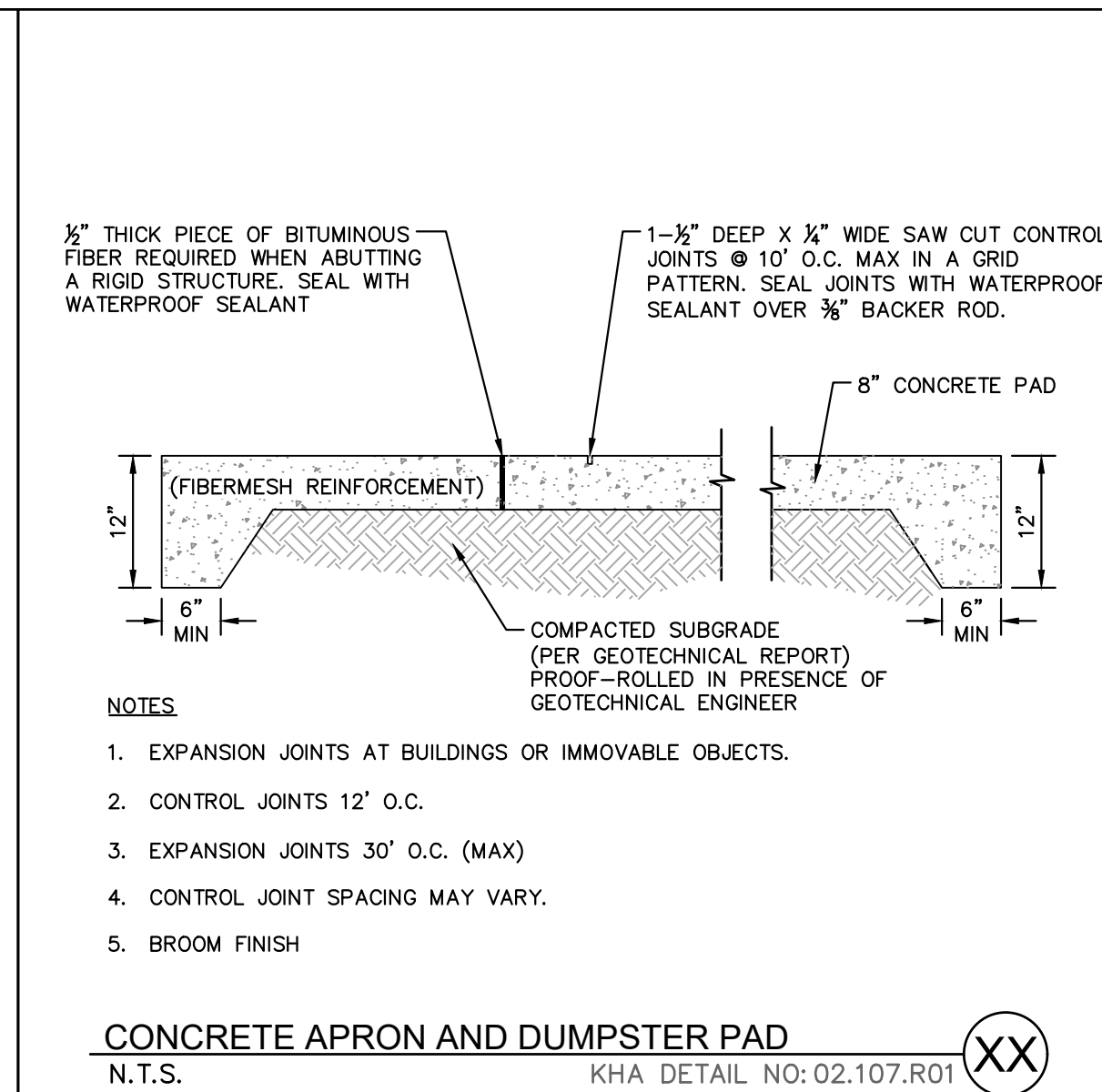
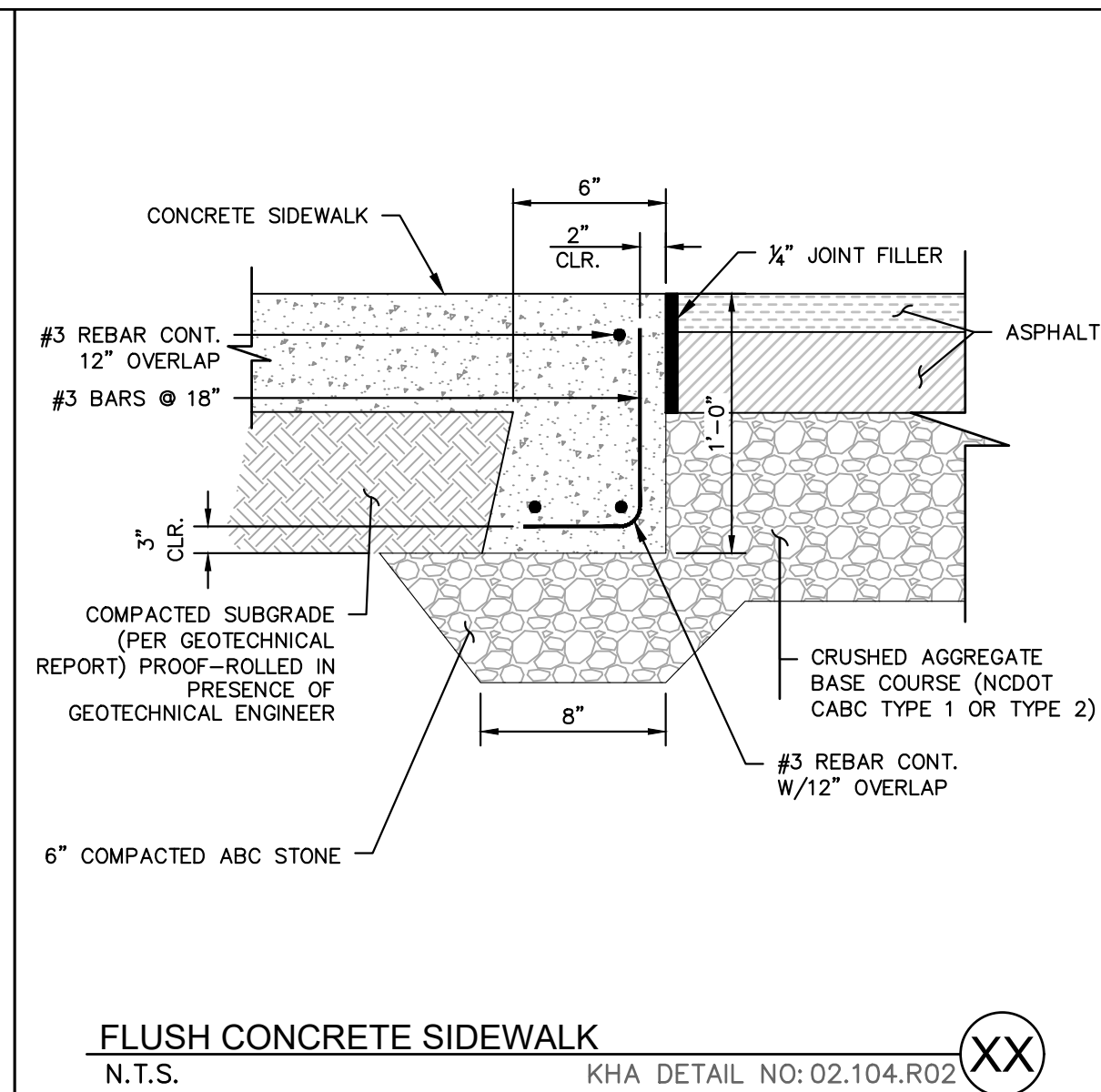
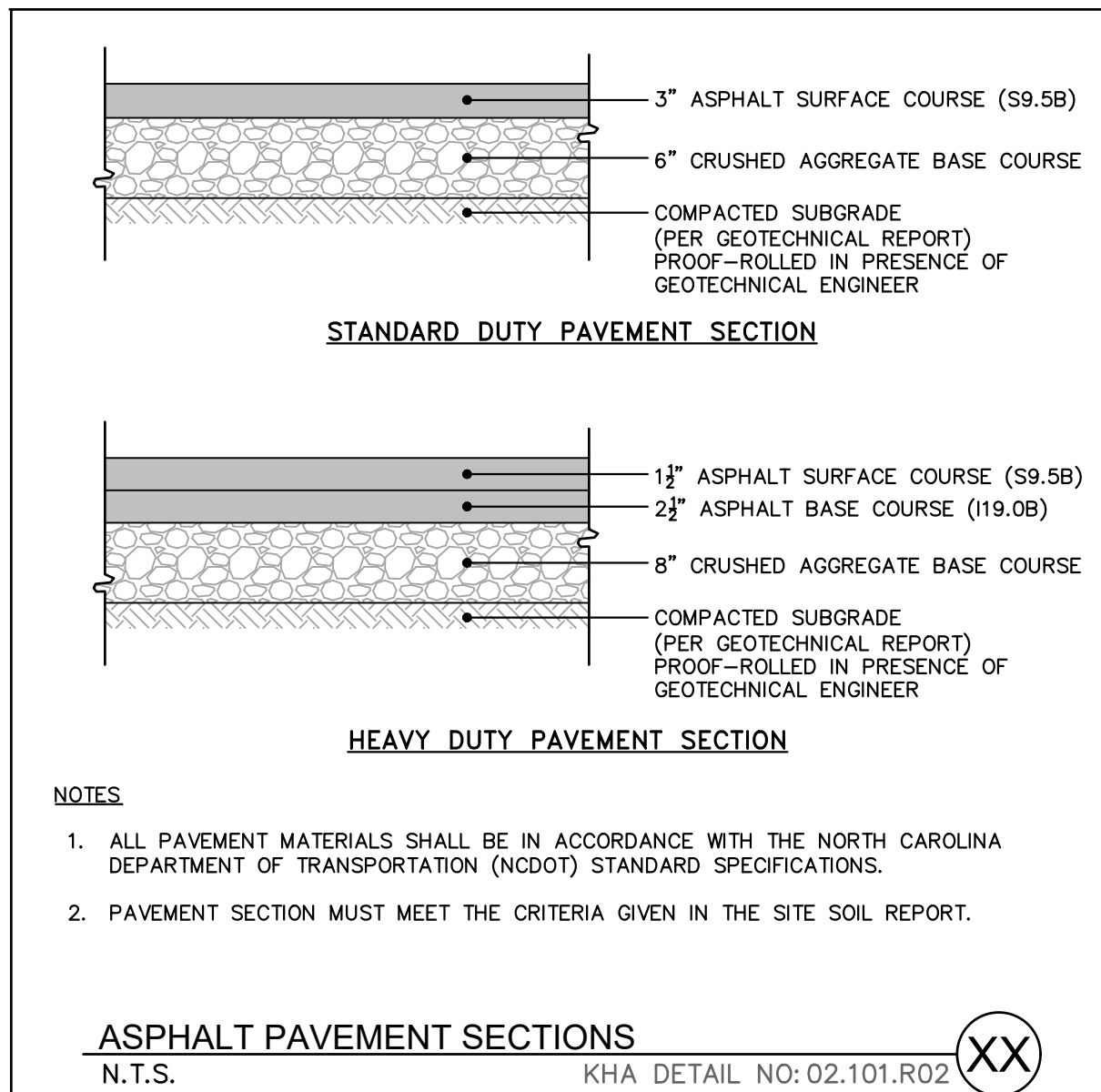
NO.

SHEET NUMBER

C5.2



Plotted By: Alexander, Jamal Sheet: S&S SCOOTER'S ROLESVILLE Layout: C8.0 SITE DETAILS October 31, 2023 04:22:40pm K:\RAL_LDEV\016485000-Scooters Rolesville\Planning\15_CAD Files\PlanSheets\C8.0 SITE DETAILS.dwg
 This document, together with the concepts and designs presented herein, is an instrument of service, is intended only for the specific purpose and client for which it was prepared. Reuse of and improper reliance on this document without written authorization and adaptation by Kimley-Horn and Associates, Inc. shall be without liability to Kimley-Horn and Associates, Inc.

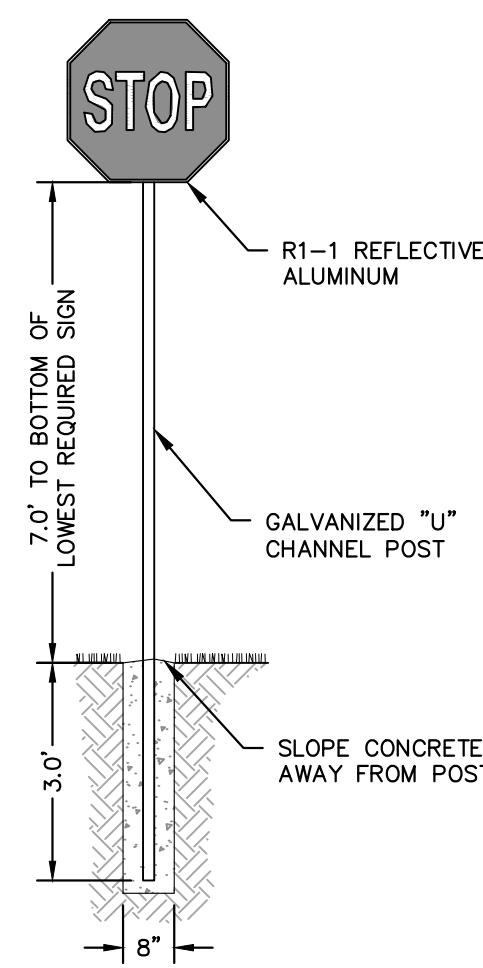


SURVEY NOTE:
EXISTING TOPOGRAPHICAL INFORMATION IS BASED ON A TOPOGRAPHIC SURVEY OBTAINED ON 02/23/2023 BY CMP PROFESSIONAL LAND SURVEYORS, 333 S. WHITE STREET, WAKE FOREST, NC 27588. PHONE: (919) 556-3148. CONTRACTOR SHALL BE RESPONSIBLE FOR VERIFYING ALL EXISTING INFORMATION, DEPICTED OR NOT, PRIOR TO CONSTRUCTION AND REPORT POTENTIAL CONFLICTS TO OWNER AND ENGINEER.

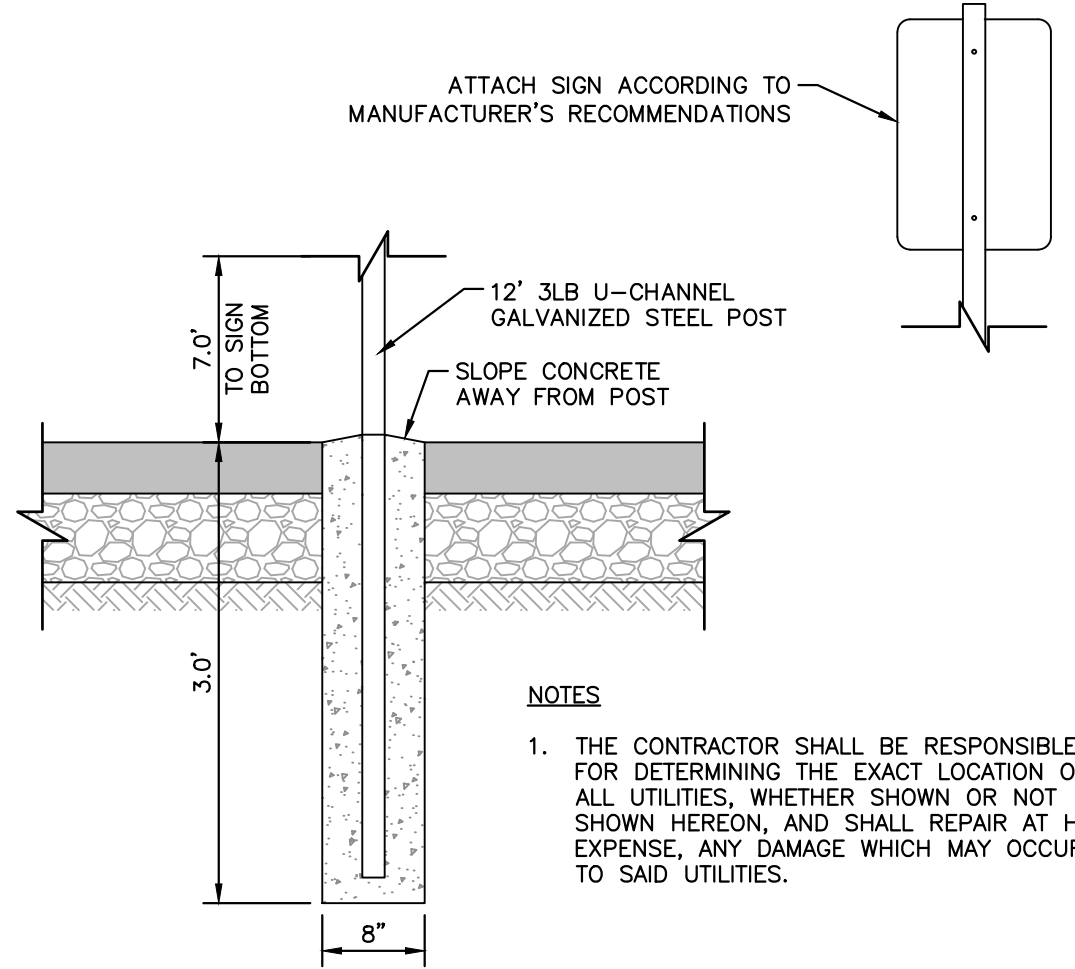


Kimley >>> Horn		© 2023 KIMLEY-HORN AND ASSOCIATES, INC. #F-0102 WWW.KIMLEY-HORN.COM PHONE: 919.677.2000 FAX: 919.677.2050 421 FAYETTEVILLE STREET, SUITE 600, RALEIGH, NC 27601
		KHA PROJECT: 016485000 DATE: 10/31/2023 SCALE: AS SHOWN DESIGNED BY: JAA DRAWN BY: JAA CHECKED BY: COB
SITE DETAILS		SHEET NUMBER C8.0
SCOOTER'S ROLESVILLE PREPARED FOR S&S JAVA ENTERPRISES ROLESVILLE, NC		REVISIONS No. _____ DATE _____ BY _____

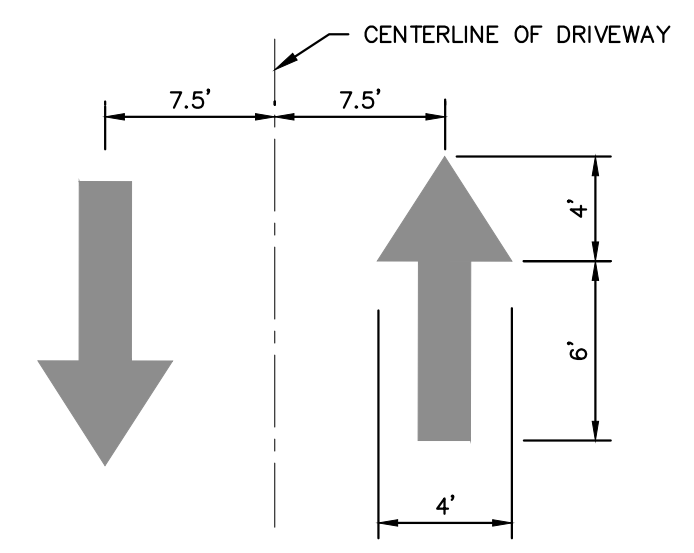
Plotted By: Alexander, Jamal Sheet: S&S SCOOTER'S ROLESVILLE - Layout: C8.1 SITE DETAILS - October 31, 2023, 04:22:40pm. K:\RAL_LDEV\016485000-Scooters Rolesville\Planning\15_CAD Files\PlanSheets\C8.1 SITE DETAILS.dwg
 This document, together with the concepts and designs presented herein, is intended only for the specific purpose and client for which it was prepared. Reuse of and improper reliance on this document without written authorization and adaptation by Kimley-Horn and Associates, Inc. shall be without liability to Kimley-Horn and Associates, Inc.



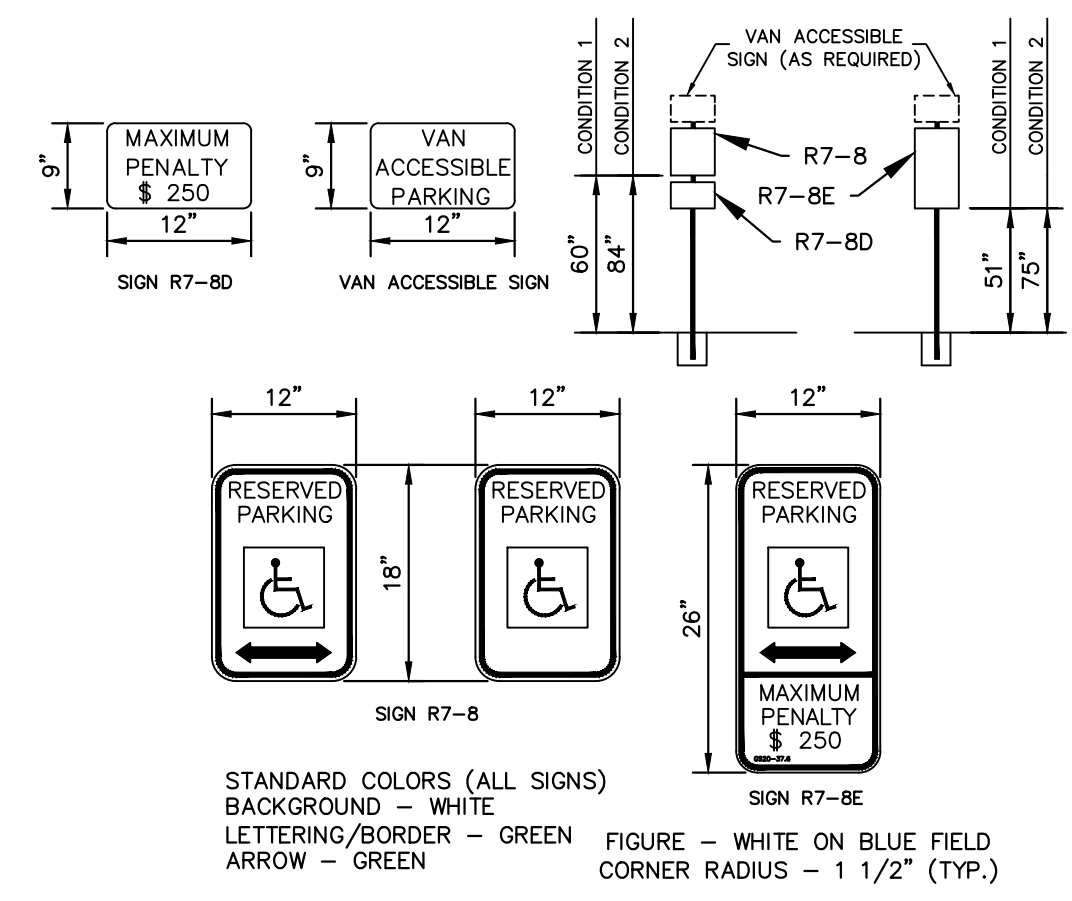
STOP SIGN
N.T.S. KHA DETAIL NO: 02.301.R01 XX



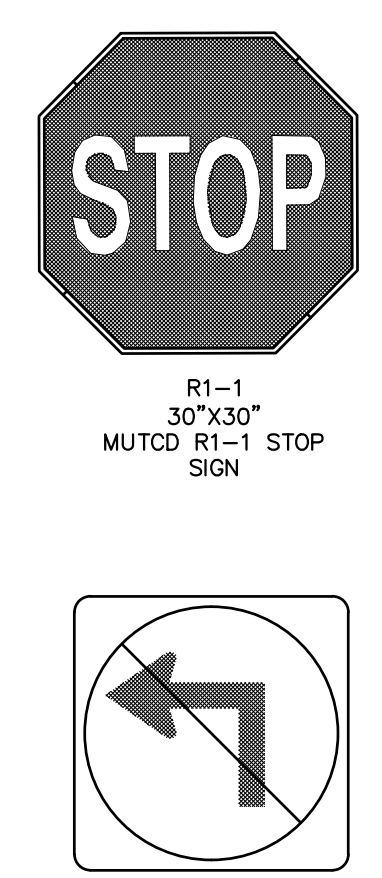
SIGN POST
N.T.S. KHA DETAIL NO: 02.304.R02 XX



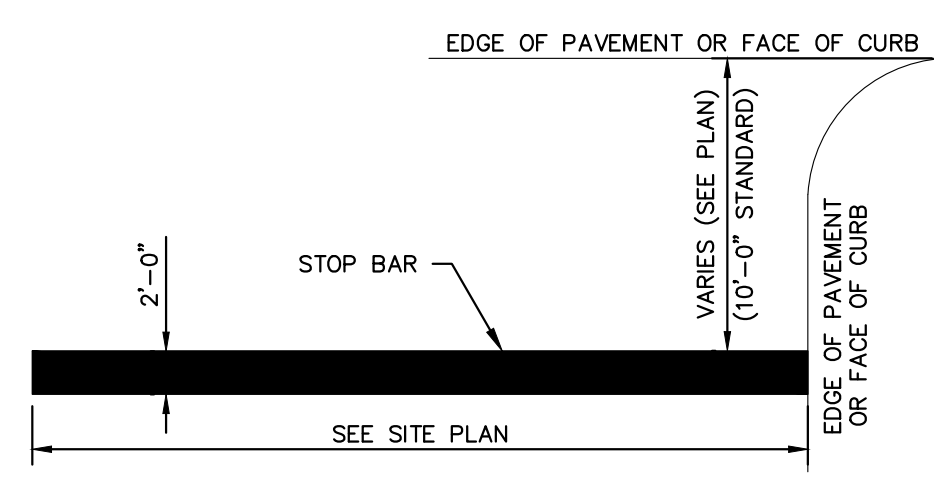
PAVEMENT DIRECTIONAL ARROW
N.T.S. KHA DETAIL NO: 02.306.R01 XX



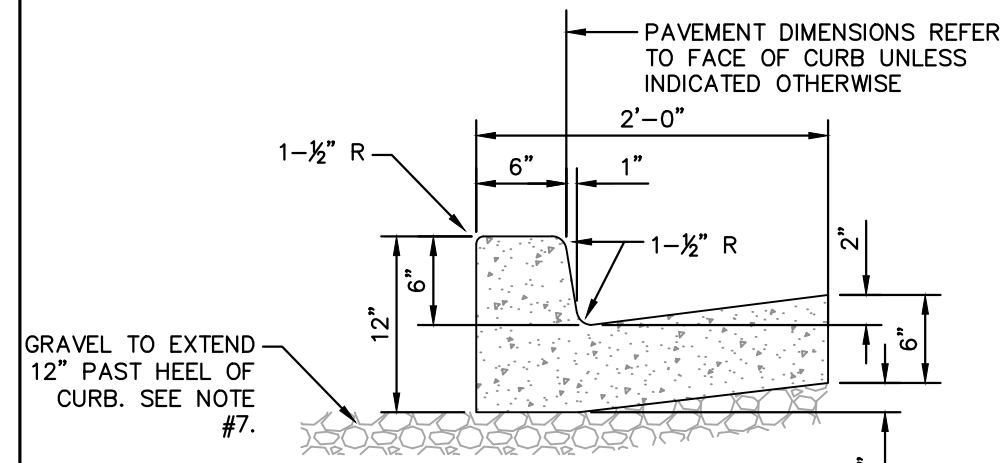
ACCESSIBLE SIGN
N.T.S. KHA DETAIL NO: 02.308.R01 XX



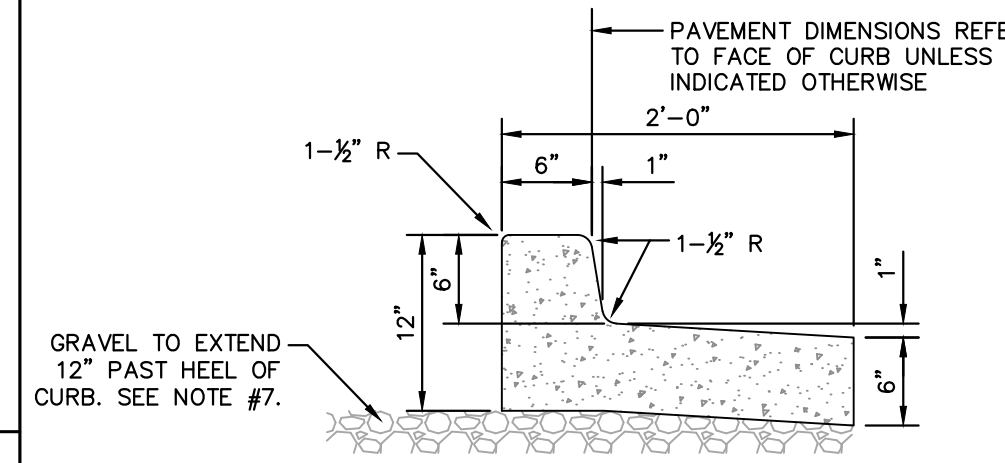
MUTCD STOP & NO LEFT TURN SIGNS
N.T.S. KHA DETAIL NO: 02.302.R01 XX



STOP BAR MARKING
N.T.S. KHA DETAIL NO: 02.307.R01 XX



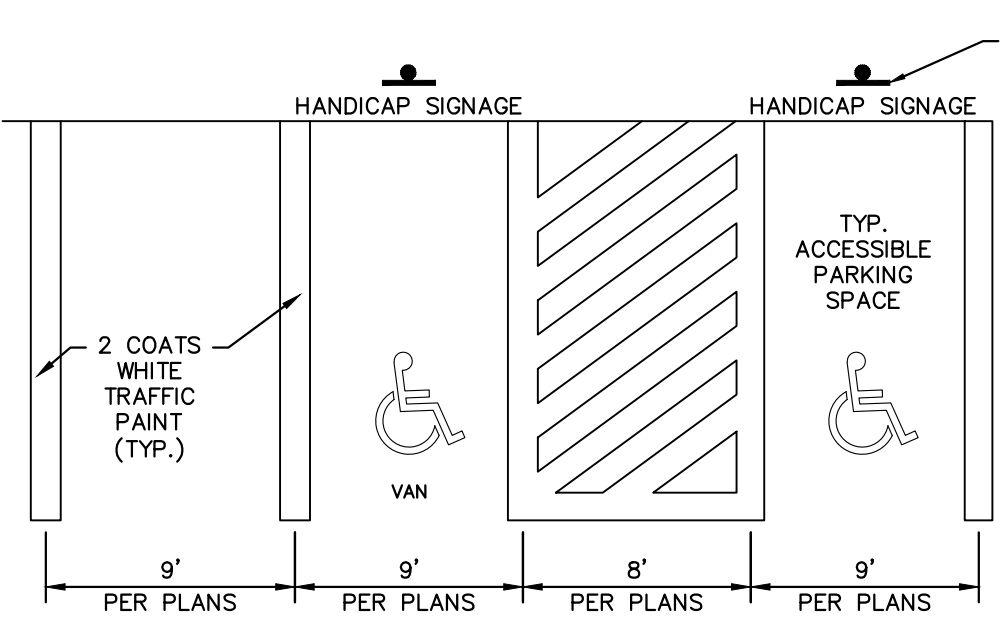
CATCHING CURB AND GUTTER



DRY CURB AND GUTTER

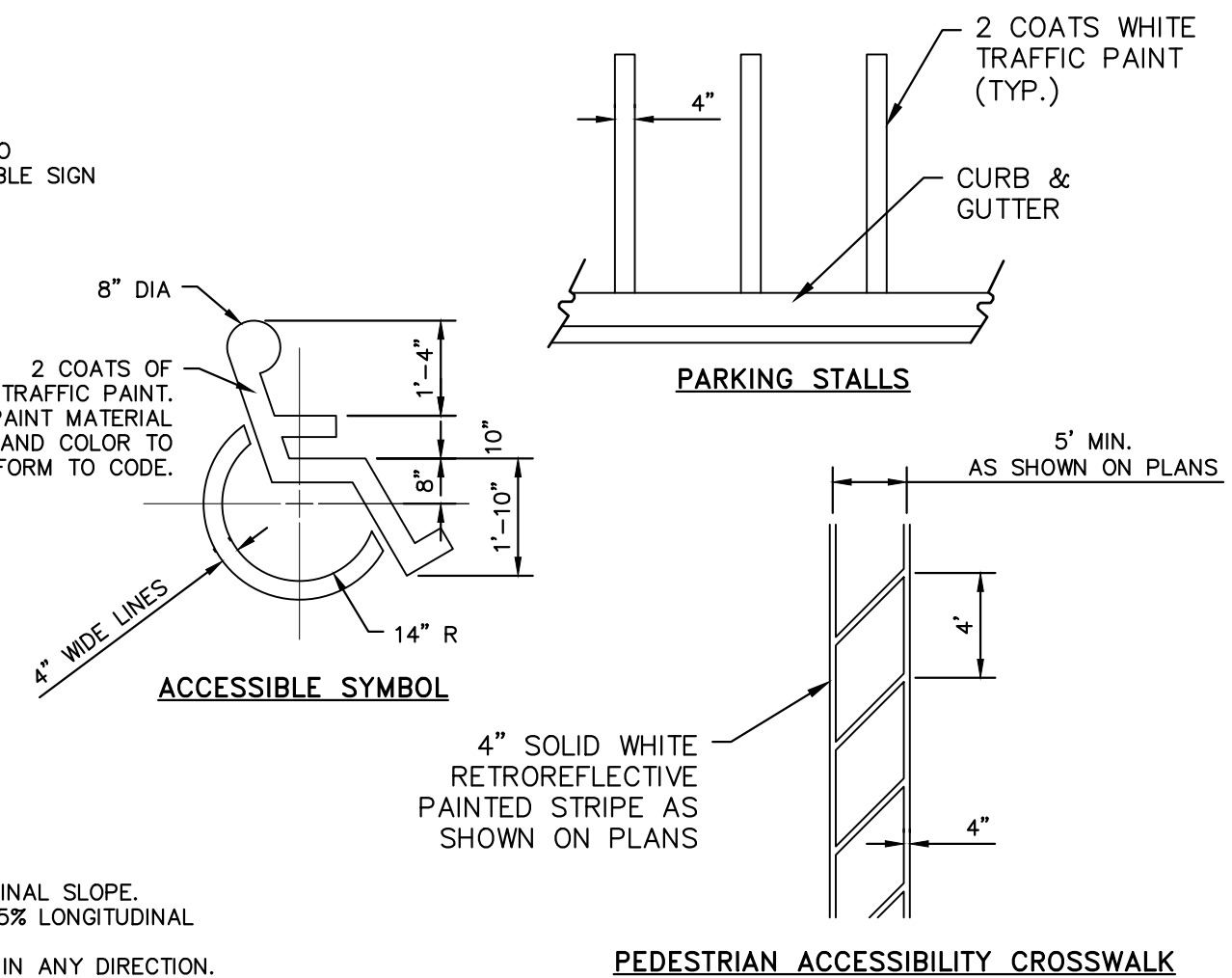
- CURB AND GUTTER NOTES**
- CONTRACTION JOINTS SHALL BE SPACED AT 10-FOOT INTERVALS. JOINT SPACING MAY BE ALTERED BY THE ENGINEER TO PREVENT UNCONTROLLED CRACKING.
 - CONTRACTION JOINTS MAY BE INSTALLED BY THE USE OF TEMPLATES OR FORMED BY OTHER APPROVED METHODS. WHERE SUCH JOINTS ARE NOT FORMED BY TEMPLATES, A MINIMUM DEPTH OF 1 1/2" SHALL BE OBTAINED.
 - ALL EXPANSION JOINTS SHALL BE SPACED AT 90 FOOT INTERVALS, AND ADJACENT TO ALL RIGID OBJECTS. JOINTS SHALL MATCH LOCATIONS WITH JOINTS IN ABUTTING SIDEWALK.
 - CONCRETE COMPRESSIVE STRENGTH SHALL BE 3000 P.S.I. IN 28 DAYS.
 - CURB SHALL BE DEPRESSED AT INTERSECTIONS TO PROVIDE FOR FUTURE ACCESSIBLE RAMPS, REFER TO SITE PLAN FOR LOCATIONS.
 - TOP 6" OF SUBGRADE BENEATH THE CURB AND GUTTER SHALL BE COMPACTED TO 95% STANDARD PROCTOR DENSITY.
 - EXTEND GRAVEL 12" PAST HEEL OF CURB IF REQUIRED PER GEOTECHNICAL RECOMMENDATIONS, MIN. DEPTH 4" IF FIELD CONDITIONS WARRANT.

24" CURB AND GUTTER
N.T.S. KHA DETAIL NO: 02.203.R01 XX



- NOTES**
- SEE SITE DEVELOPMENT PLAN FOR PARKING DIMENSIONS AND LAYOUT
 - DIMENSIONS SHOWN ARE MINIMUMS
 - ALL STRIPING TO CONFORM TO THE APPLICABLE LOCAL AND FEDERAL CODES
 - SIDEWALKS TO HAVE MAXIMUM 2% CROSS SLOPE AND A MAXIMUM 5% LONGITUDINAL SLOPE.
 - PEDESTRIAN CROSSWALKS TO HAVE MAXIMUM 2% CROSS SLOPE AND MAXIMUM 5% LONGITUDINAL SLOPE WITHIN STRIPED AREA.
 - ADA PARKING AREAS AND ACCESSIBLE AREAS TO HAVE A MAXIMUM 2% SLOPE IN ANY DIRECTION.
 - SIDEWALK INTERSECTIONS AND RAMP LANDINGS TO HAVE A MAXIMUM 2% SLOPE IN ANY DIRECTION.

PAVEMENT STRIPING
N.T.S. KHA DETAIL NO: 02.305.R02 XX

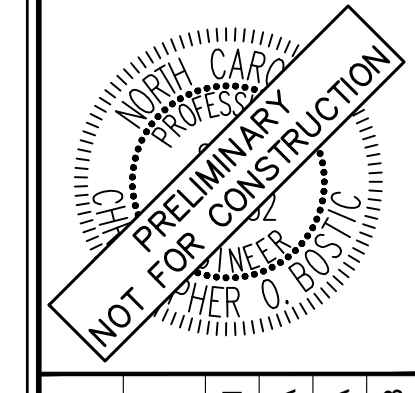


PEDESTRIAN ACCESSIBILITY CROSSWALK

SURVEY NOTE:
EXISTING TOPOGRAPHICAL INFORMATION IS BASED ON A TOPOGRAPHIC SURVEY OBTAINED ON 02/23/2023 BY CMP PROFESSIONAL LAND SURVEYORS, 333 S. WHITE STREET, WAKE FOREST, NC 27588. PHONE: (919) 556-3148. CONTRACTOR SHALL BE RESPONSIBLE FOR VERIFYING ALL EXISTING INFORMATION, DEPICTED OR NOT, PRIOR TO CONSTRUCTION AND REPORT POTENTIAL CONFLICTS TO OWNER AND ENGINEER.

NO.	REVISIONS	DATE	BY
1			
2			
3			
4			
5			
6			
7			

Kimley & Horn
 © 2023 KIMLEY-HORN AND ASSOCIATES, INC.
 #F-0102 WWW.KIMLEY-HORN.COM PHONE: 919.677.2000 FAX: 919.677.2050
 421 FAYETTEVILLE STREET, SUITE 600, RALEIGH, NC 27601



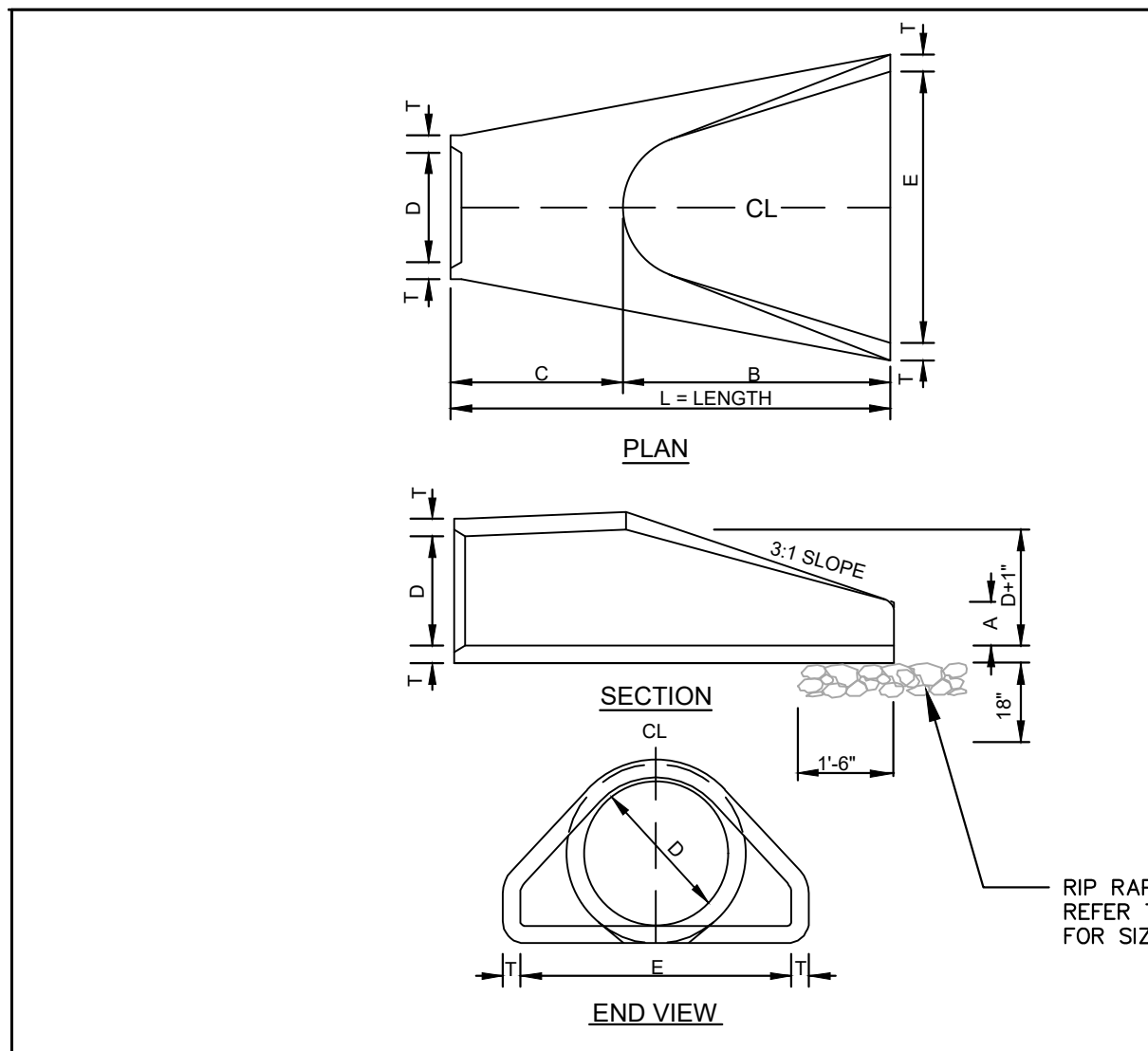
KHA PROJECT	016485000
DATE	10/31/2023
SCALE	AS SHOWN
DESIGNED BY	JAA
DRAWN BY	JAA
CHECKED BY	COB

SITE DETAILS

SCOOTER'S ROLESVILLE
 PREPARED FOR
S&S JAVA ENTERPRISES
 ROLESVILLE, NC



Plotted By: Alexander, Jamal Sheet: S&S SCOOTER'S ROLESVILLE - Layout: C9.0 STORM DETAILS - October 31, 2023 04:22:50pm - K:\RALD\DEV\016485000-Scoters Rolesville\Plan\Sheet\C9.0 STORM DETAILS.dwg
 This document, together with the concepts and designs presented herein, is an instrument of service, as intended only for the specific purpose and client for which it was prepared. Reuse of and improper reliance on this document without written authorization and adaptation by Kimley-Horn and Associates, Inc. shall be without liability to Kimley-Horn and Associates, Inc.



D	T	A	B	C	E	L	WT.
12"	2-1/4"	4"	2'-0"	4'-1"	2'-0"	6'-1"	730
15"	2-1/4"	6"	2'-3"	3'-10"	2'-0"	6'-1"	730
18"	2-1/2"	9"	2'-3"	3'-10"	3'-0"	6'-1"	1190
24"	3"	10"	3'-8"	2'-8"	4'-0"	8'-2"	1770
30"	3-1/2"	1'-0"	4'-6"	1'-8"	5'-0"	8'-2"	2380
36"	4"	1'-3"	5'-3"	2'-11"	6'-0"	8'-2"	5320
42"	4-1/2"	1'-9"	5'-3"	2'-11"	6'-6"	8'-2"	5920
48"	5"	2'-0"	6'-0"	2'-2"	7'-0"	8'-2"	7470
54"	5-1/2"	2'-3"	6'-8"	2'-10"	7'-2"	8'-4"	8810
60"	6"	2'-6"	6'-0"	3'-3"	8'-0"	8'-3"	11180
66"	6-1/2"	3'-0"	6'-0"	2'-3"	8'-6"	8'-3"	12530
72"	7"	3'-0"	6'-6"	1'-9"	9'-0"	8'-3"	13980

- GENERAL NOTES:**
- SEE FORMER NCDOT STANDARD 310.01 FOR DETAILS.
 - REINFORCEMENT SHALL CONFORM TO THE REQUIREMENTS OF REINFORCED CONCRETE PIPE OF LIKE DIAMETER PER AASHTO M170.
 - ALL CONCRETE TO BE 3000 P.S.I COMPRESSIVE STRENGTH MIN.
 - PROVIDE TONGUE OR SPIGOT JOINT AT INLET END SECTION.
 - PROVIDE GROOVE OR BELL JOINT AT OUTLET END SECTION.
 - THE DIMENSIONS FOR END SECTIONS SHALL SUBSTANTIALLY AGREE WITH THE TABLE. MINOR VARIATIONS WILL BE PERMITTED BASED ON THE MANUFACTURER'S STANDARD SPECIFICATIONS.
 - NOT TO BE USED IN NCDOT MAINTAINED RIGHT OF WAY.

CONCRETE FLARED END SECTION
N.T.S. KHA DETAIL NO: 01.905.R01 XX

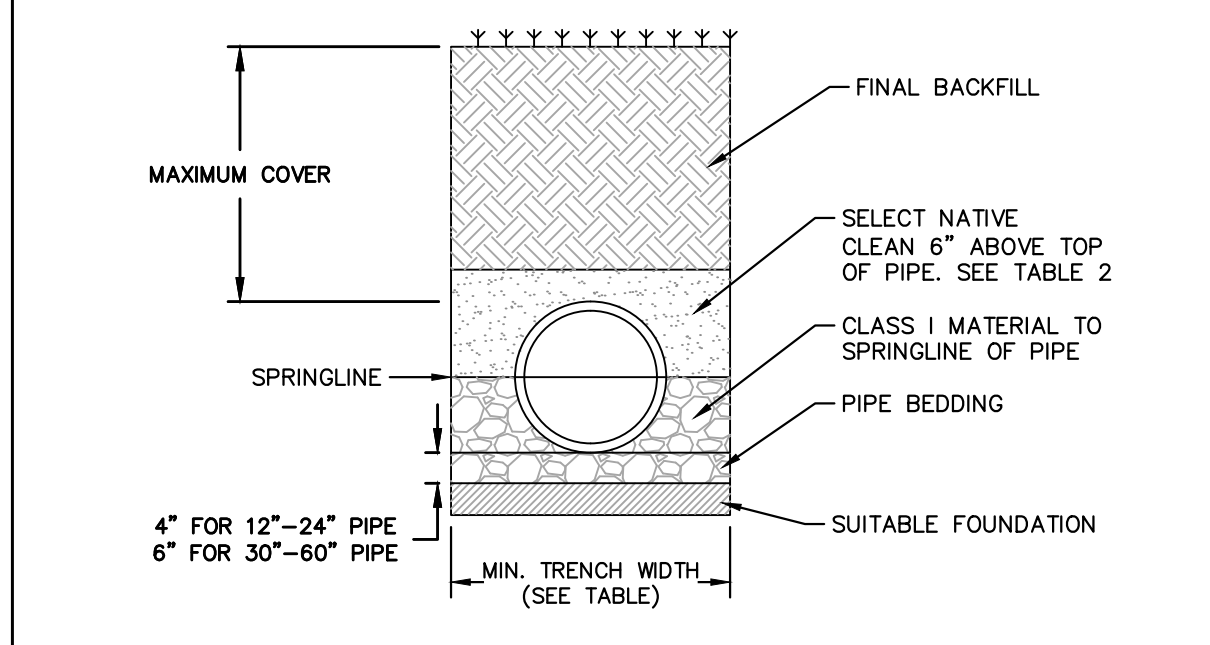


TABLE 1, RECOMMENDED MINIMUM TRENCH WIDTHS

PIPE DIAM. (INCHES)	MIN. TRENCH WIDTH (INCHES)
12"	30"
15"	36"
18"	42"
24"	48"
30"	54"
36"	60"
42"	66"
48"	72"
54"	78"
60"	84"
66"	90"
72"	96"

TABLE 2, MAXIMUM COVER FOR ADS HP STORM PIPE, ALTERNATE INSTALLATION, IR (ys=120)

PIPE DIAM.	SELECT NATIVE CLEAN MATERIAL CLASSIFICATION		
	CLASS II	CLASS III	CLASS IV
12"	17"	14"	11"
15"	17"	14"	11"
18"	17"	14"	11"
24"	17"	14"	11"
30"	17"	14"	11"
36"	17"	14"	11"
42"	17"	14"	11"
48"	17"	14"	11"
54"	17"	14"	11"
60"	17"	14"	11"
66"	17"	14"	11"
72"	17"	14"	11"

TABLE 2, RECOMMENDED MINIMUM TRENCH WIDTHS

PIPE DIAM. (INCHES)	MIN. TRENCH WIDTH (INCHES)
12"	30"
15"	36"
18"	42"
24"	48"
30"	54"
36"	60"
42"	66"
48"	72"
54"	78"
60"	84"
66"	90"
72"	96"

TABLE 2, MAXIMUM COVER FOR ADS HP STORM PIPE, ALTERNATE INSTALLATION, IR (ys=120)

PIPE DIAM.	SELECT NATIVE CLEAN MATERIAL CLASSIFICATION		
	CLASS II	CLASS III	CLASS IV
12"	17"	14"	11"
15"	17"	14"	11"
18"	17"	14"	11"
24"	17"	14"	11"
30"	17"	14"	11"
36"	17"	14"	11"
42"	17"	14"	11"
48"	17"	14"	11"
54"	17"	14"	11"
60"	17"	14"	11"
66"	17"	14"	11"
72"	17"	14"	11"

TABLE 2, MAXIMUM COVER FOR ADS HP STORM PIPE, ALTERNATE INSTALLATION, IR (ys=120)

PIPE DIAM.	SELECT NATIVE CLEAN MATERIAL CLASSIFICATION		
	CLASS II	CLASS III	CLASS IV
12"	17"	14"	11"
15"	17"	14"	11"
18"	17"	14"	11"
24"	17"	14"	11"
30"	17"	14"	11"
36"	17"	14"	11"
42"	17"	14"	11"
48"	17"	14"	11"
54"	17"	14"	11"
60"	17"	14"	11"
66"	17"	14"	11"
72"	17"	14"	11"

TABLE 2, MAXIMUM COVER FOR ADS HP STORM PIPE, ALTERNATE INSTALLATION, IR (ys=120)

PIPE DIAM.	SELECT NATIVE CLEAN MATERIAL CLASSIFICATION		
	CLASS II	CLASS III	CLASS IV
12"	17"	14"	11"
15"	17"	14"	11"
18"	17"	14"	11"
24"	17"	14"	11"
30"	17"	14"	11"
36"	17"	14"	11"
42"	17"	14"	11"
48"	17"	14"	11"
54"	17"	14"	11"
60"	17"	14"	11"
66"	17"	14"	11"
72"	17"	14"	11"

TABLE 2, MAXIMUM COVER FOR ADS HP STORM PIPE, ALTERNATE INSTALLATION, IR (ys=120)

PIPE DIAM.	SELECT NATIVE CLEAN MATERIAL CLASSIFICATION		
	CLASS II	CLASS III	CLASS IV
12"	17"	14"	11"
15"	17"	14"	11"
18"	17"	14"	11"
24"	17"	14"	11"
30"	17"	14"	11"
36"	17"	14"	11"
42"	17"	14"	11"
48"	17"	14"	11"
54"	17"	14"	11"
60"	17"	14"	11"
66"	17"	14"	11"
72"	17"	14"	11"

TABLE 2, MAXIMUM COVER FOR ADS HP STORM PIPE, ALTERNATE INSTALLATION, IR (ys=120)

PIPE DIAM.	SELECT NATIVE CLEAN MATERIAL CLASSIFICATION		
	CLASS II	CLASS III	CLASS IV
12"	17"	14"	11"
15"	17"	14"	11"
18"	17"	14"	11"
24"	17"	14"	11"
30"	17"	14"	11"
36"	17"	14"	11"
42"	17"	14"	11"
48"	17"	14"	11"
54"	17"	14"	11"
60"	17"	14"	11"
66"	17"	14"	11"
72"	17"	14"	11"

TABLE 2, MAXIMUM COVER FOR ADS HP STORM PIPE, ALTERNATE INSTALLATION, IR (ys=120)

PIPE DIAM.	SELECT NATIVE CLEAN MATERIAL CLASSIFICATION		
	CLASS II	CLASS III	CLASS IV
12"	17"	14"	11"
15"	17"	14"	11"
18"	17"	14"	11"
24"	17"	14"	11"
30"	17"	14"	11"
36"	17"	14"	11"
42"	17"	14"	11"
48"	17"	14"	11"
54"	17"	14"	11"
60"	17"	14"	11"
66"	17"	14"	11"
72"	17"	14"	11"

TABLE 2, MAXIMUM COVER FOR ADS HP STORM PIPE, ALTERNATE INSTALLATION, IR (ys=120)

PIPE DIAM.	SELECT NATIVE CLEAN MATERIAL CLASSIFICATION		
	CLASS II	CLASS III	CLASS IV
12"	17"	14"	11"
15"	17"	14"	11"
18"	17"	14"	11"
24"	17"	14"	11"
30"	17"	14"	11"
36"	17"	14"	11"
42"	17"	14"	11"
48"	17"	14"	11"
54"	17"	14"	11"
60"	17"	14"	11"
66"	17"	14"	11"
72"	17"	14"	11"

TABLE 2, MAXIMUM COVER FOR ADS HP STORM PIPE, ALTERNATE INSTALLATION, IR (ys=120)

PIPE DIAM.	SELECT NATIVE CLEAN MATERIAL CLASSIFICATION		
	CLASS II	CLASS III	CLASS IV
12"	17"	14"	11"
15"	17"	14"	11"
18"	17"	14"	11"
24"	17"	14"	11"
30"	17"	14"	11"
36"	17"	14"	11"
42"	17"	14"	11"
48"	17"	14"	11"
54"	17"	14"	11"
60"	17"	14"	11"
66"	17"	14"	11"
72"	17"	14"	11"

TABLE 2, MAXIMUM COVER FOR ADS HP STORM PIPE, ALTERNATE INSTALLATION, IR (ys=120)

PIPE DIAM.	SELECT NATIVE CLEAN MATERIAL CLASSIFICATION		
	CLASS II	CLASS III	CLASS IV
12"	17"	14"	11"
15"	17"	14"	11"
18"	17"	14"	11"
24"	17"	14"	11"
30"	17"	14"	11"
36"	17"	14"	11"
42"	17"	14"	11"
48"	17"	14"	11"
54"	17"	14"	11"
60"	17"	14"	11"
66"	17"	14"	11"
72"	17"	14"	11"

TABLE 2, MAXIMUM COVER FOR ADS HP STORM PIPE, ALTERNATE INSTALLATION, IR (ys=120)

PIPE DIAM.	SELECT NATIVE CLEAN MATERIAL CLASSIFICATION		
	CLASS II	CLASS III	CLASS IV
12"	17"	14"	11"
15"	17"	14"	11"
18"	17"	14"	11"
24"	17"	14"	11"
30"	17"	14"	11"
36"	17"	14"	11"
42"	17"	14"	11"
48"	17"	14"	11"
54"	17"	14"	11"
60"	17"	14"	11"
66"	17"	14"	11"
72"	17"	14"	11"

TABLE 2, MAXIMUM COVER FOR ADS HP STORM PIPE, ALTERNATE INSTALLATION, IR (ys=120)

PIPE DIAM.	SELECT NATIVE CLEAN MATERIAL CLASSIFICATION		
	CLASS II	CLASS III	CLASS IV
12"	17"	14"	11"
15"	17"	14"	11"
18"	17"	14"	11"
24"	17"	14"	11"
30"	17"	14"	11"
36"	17"	14"	11"
42"	17"	14"	11"
48"	17"	14"	11"
54"	17"	14"	11"
60"	17"	14"	11"
66"	17"	14"	11"
72"	17"	14"	11"

TABLE 2, MAXIMUM COVER FOR ADS HP STORM PIPE, ALTERNATE INSTALLATION, IR (ys=120)

PIPE DIAM.	SELECT NATIVE CLEAN MATERIAL CLASSIFICATION		
	CLASS II	CLASS III	CLASS IV
12"	17"	14"	11"
15"	17"	14"	11"
18"	17"	14"	11"
24"	17"	14"	11"
30"	17"	14"	11"
36"	17"	14"	11"
42"	17"	14"	11"
48"	17"	14"	11"
54"	17"	14"	11"
60"	17"	14"	11"
66"	17"	14"	11"
72"	17"	14"	11"

TABLE 2, MAXIMUM COVER FOR ADS HP STORM PIPE, ALTERNATE INSTALLATION, IR (ys=120)

PIPE DIAM.	SELECT NATIVE CLEAN MATERIAL CLASSIFICATION		
	CLASS II	CLASS III	CLASS IV
12"	17"	14"	11"
15"	17"	14"	11"
18"	17"	14"	11"
24"	17"	14"	11"
30"	17"	14"	11"
36"	17"	14"	11"
42"	17"	14"	11"
48"	17"	14"	11"
54"	17"	14"	11"
60"	17"	14"	11"
66"	17"	14"	11"
72"	17"	14"	11"

TABLE 2, MAXIMUM COVER FOR ADS HP STORM PIPE, ALTERNATE INSTALLATION, IR (ys=120)

PIPE DIAM.	SELECT NATIVE CLEAN MATERIAL CLASSIFICATION		
	CLASS II	CLASS III	CLASS IV
12"	17"	14"	11"
15"	17"	14"	11"
18"	17"	14"	11"
24"	17"	14"	11"
30"	17"	14"	11"
36"	17"	14"	11"
42"	17"	14"	11"
48"	17"	14"	11"
54"	17"	14"	11"
60"	17"	14"	11"
66"	17"	14"	11"
72"	17"	14"	11"

TABLE 2, MAXIMUM COVER FOR ADS HP STORM PIPE, ALTERNATE INSTALLATION, IR (ys=120)

PIPE DIAM.	SELECT NATIVE CLEAN MATERIAL CLASSIFICATION		
	CLASS II	CLASS III	CLASS IV
12"	17"	14"	11"
15"	17"	14"	11"
18"	17"	14"	11"
24"	17"	14"	11"
30"	17"	14"	11"
36"	17"	14"	11"
42"	17"	14"	11"
48"	17"	14"	11"
54"	17"	14"	11"
60"	17"	14"	11"
66"	17"	14"	11"
72"	17"	14"	11"

TABLE 2, MAXIMUM COVER FOR ADS HP STORM PIPE, ALTERNATE INSTALLATION, IR (ys=120)

PIPE DIAM.	SELECT NATIVE CLEAN MATERIAL CLASSIFICATION		
	CLASS II	CLASS III	CLASS IV
12"	17"	14"	11"
15"	17"	14"	11"
18"	17"	14"	11"
24"	17"	14"	11"
30"	17"	14"	11"
36"	17"	14"	11"
42"	17"	14"	11"
48"	17"	14"	11"
54"	17"	14"	11"
60"	17"	14"	11"
66"	17"	14"	11"
72"	17"	14"	11"

TABLE 2, MAXIMUM COVER FOR ADS HP STORM PIPE, ALTERNATE INSTALLATION, IR (ys=120)

PIPE DIAM.	SELECT NATIVE CLEAN MATERIAL CLASSIFICATION		
	CLASS II	CLASS III	CLASS IV
12"	17"	14"	11"
15"	17"	14"	11"
18"	17"	14"	11"
24"	17"	14"	11"
30"	17"	14"	11"
36"	17"	14"	11"
42"	17"	14"	11"
48"	17"	14"	11"
54"	17"	14"	11"
60"	17"	14"	11"
66"	17"	14"	11"
72"	17"	14"	11"

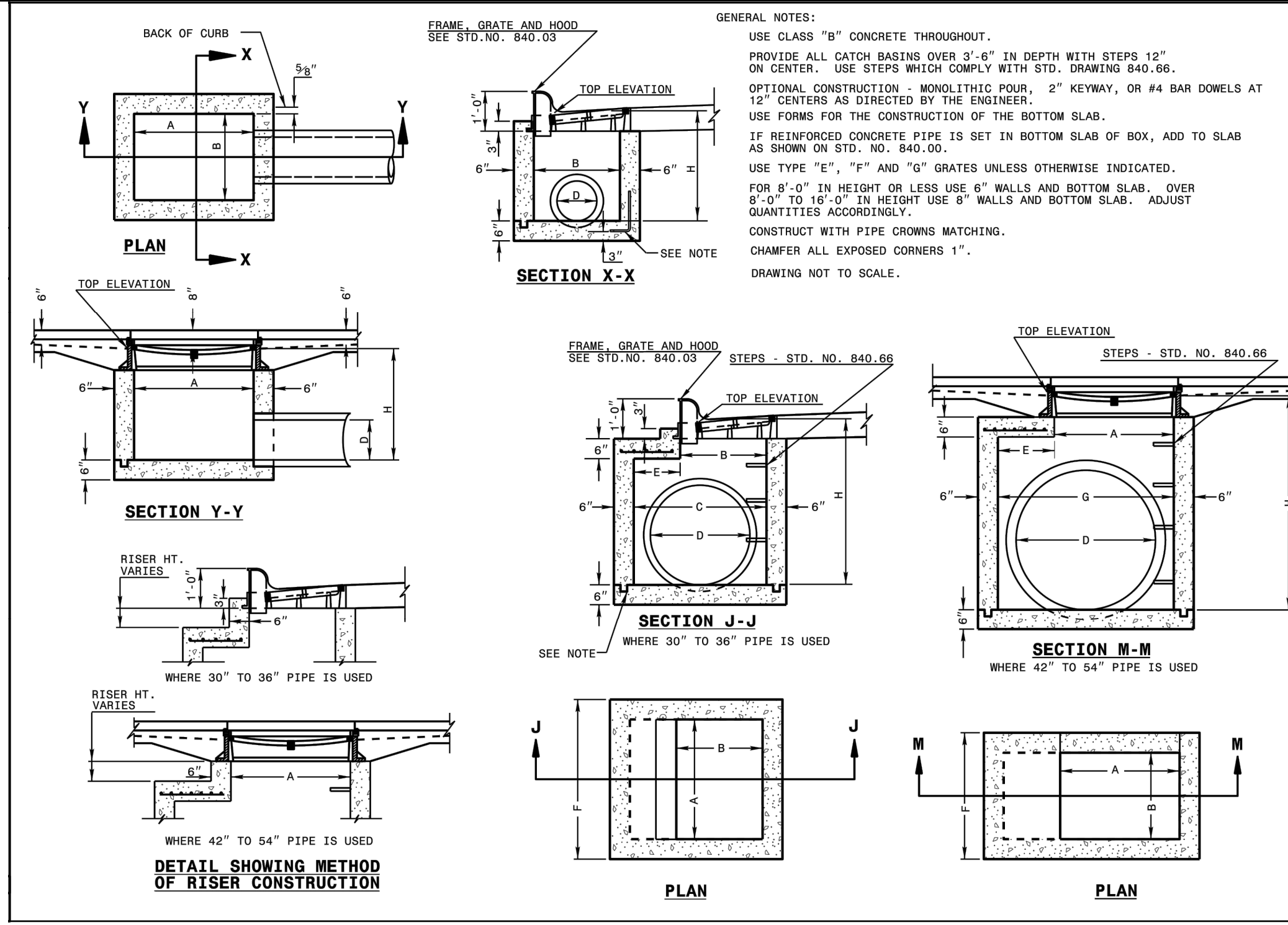
TABLE 2, MAXIMUM COVER FOR ADS HP STORM PIPE, ALTERNATE INSTALLATION, IR (ys=120)

PIPE DIAM.	SELECT NATIVE CLEAN MATERIAL CLASSIFICATION		
	CLASS II	CLASS III	CLASS IV
12"	17"	14"	11"
15"	17"	14"	11"
18"	17"	14"	11"
24"	17"	14"	11"
30"	17"	14"	11"
36"	17"	14"	11"
42"	17"	14"	11"
48"	17"	14"	11"
54"	17"	14"	11"
60"	17"	14"	11"
66"	17"	14"	11"
72"	17"	14"	11"

TABLE 2, MAXIMUM COVER FOR ADS HP STORM PIPE, ALTERNATE INSTALLATION, IR (ys=120)

PIPE DIAM.	SELECT NATIVE CLEAN MATERIAL CLASSIFICATION		
	CLASS II	CLASS III	CLASS IV
12"	17"	14"	11"

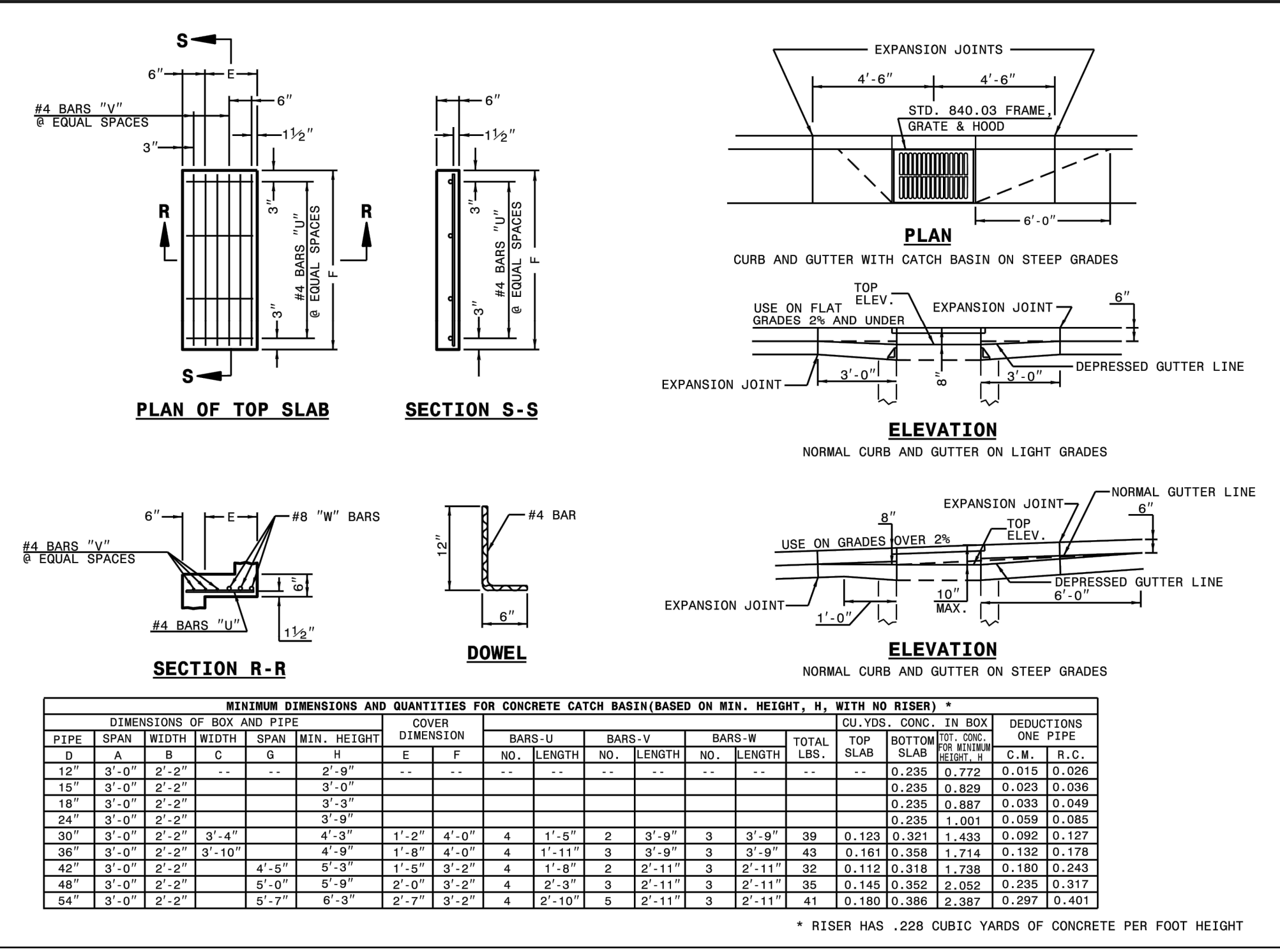
Plotted By: Alexander, Jamal Sheet Set: SCOOTER'S ROLESVILLE Layout: C9.1 STORM DETAILS October 31, 2023 04:22:52pm K:\RAL_LDEV\016485000-Scooter's Rolesville\Planning\PI15_CAD Files\PlanSheets\C9.1 STORM DETAILS.dwg
 This document, together with the concepts and designs presented herein, is intended only for the specific purpose and client for which it was prepared. Reuse of and improper reliance on this document without written authorization and adaptation by Kimley-Horn and Associates, Inc. shall be without liability to Kimley-Horn and Associates, Inc.



STATE OF NORTH CAROLINA
 DEPT. OF TRANSPORTATION
 DIVISION OF HIGHWAYS
 RALEIGH, N.C.

ROADWAY STANDARD DRAWING FOR
CONCRETE CATCH BASIN
 12" THRU 54" PIPE

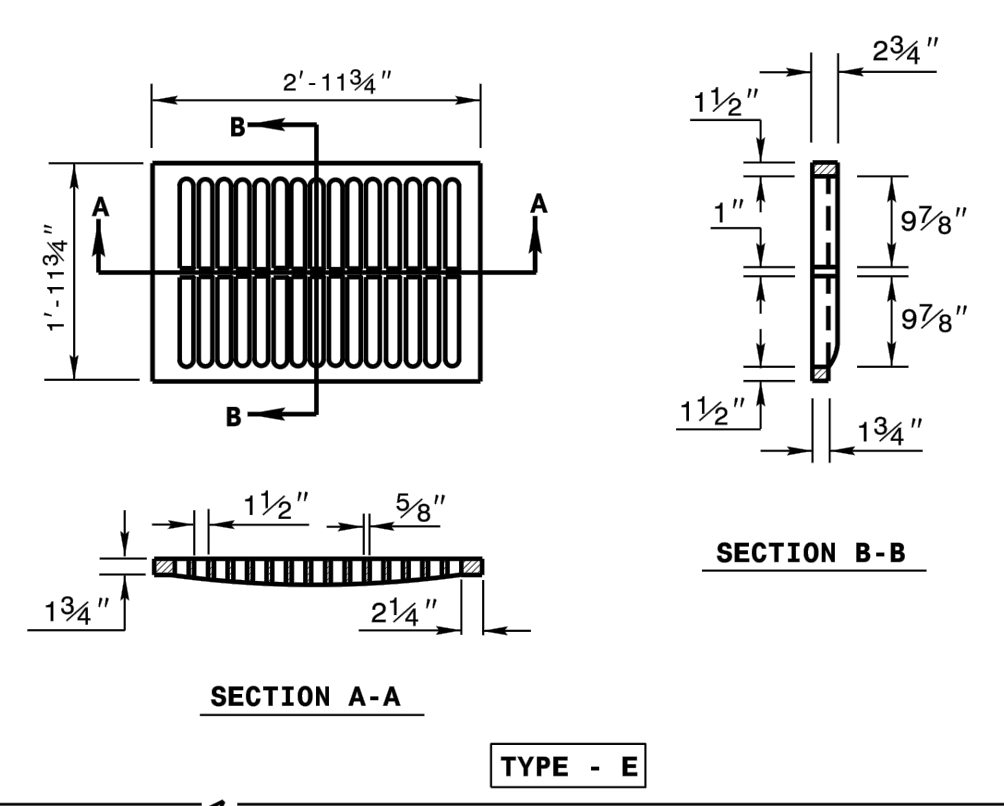
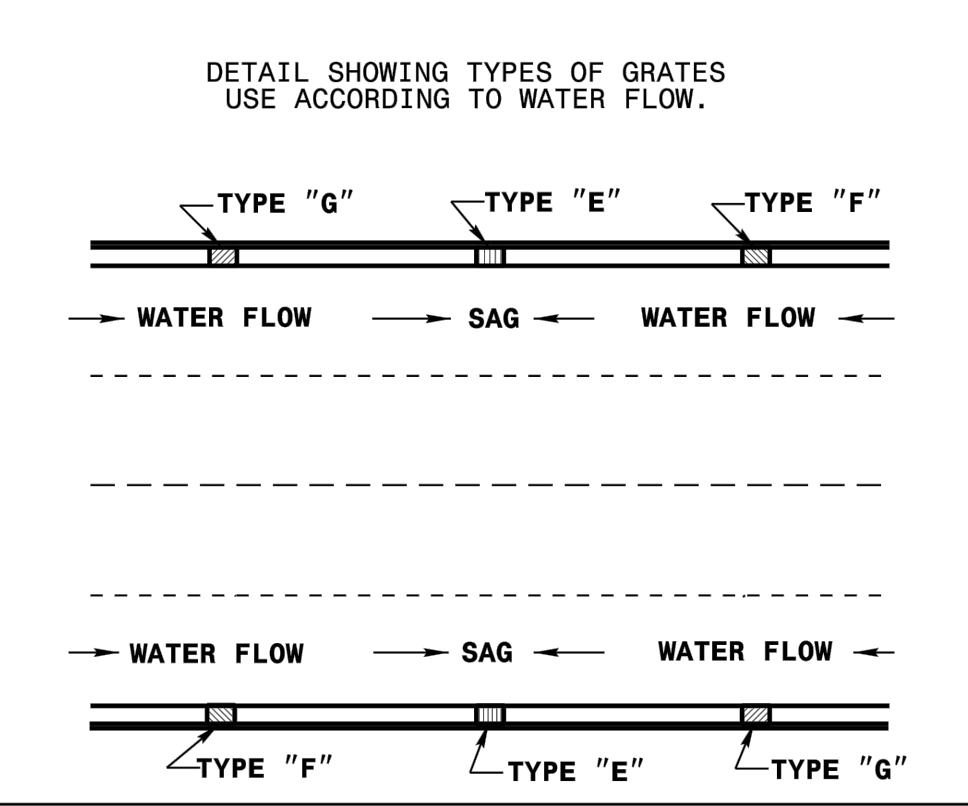
SHEET 1 OF 2
840.02



STATE OF NORTH CAROLINA
 DEPT. OF TRANSPORTATION
 DIVISION OF HIGHWAYS
 RALEIGH, N.C.

ROADWAY STANDARD DRAWING FOR
CONCRETE CATCH BASIN
 12" THRU 54" PIPE

SHEET 2 OF 2
840.02



STATE OF NORTH CAROLINA
 DEPT. OF TRANSPORTATION
 DIVISION OF HIGHWAYS
 RALEIGH, N.C.

ROADWAY STANDARD DRAWING FOR
FRAME, GRATES, AND HOOD
 FOR USE ON STANDARD CATCH BASIN

SHEET 2 OF 2
840.03

SURVEY NOTE:
 EXISTING TOPOGRAPHICAL INFORMATION IS BASED ON A TOPOGRAPHIC SURVEY OBTAINED ON 02/23/2023 BY CMP PROFESSIONAL LAND SURVEYORS, 333 S. WHITE STREET, WAKE FOREST, NC 27588. PHONE: (919) 556-3148. CONTRACTOR SHALL BE RESPONSIBLE FOR VERIFYING ALL EXISTING INFORMATION, DEPICTED OR NOT, PRIOR TO CONSTRUCTION AND REPORT POTENTIAL CONFLICTS TO OWNER AND ENGINEER.



Kimley»Horn
 © 2023 KIMLEY-HORN AND ASSOCIATES, INC.
 #F-0102 WWW.KIMLEY-HORN.COM PHONE: 919-677-2000 FAX: 919-677-2050
 421 FAYETTEVILLE STREET, SUITE 600, RALEIGH, NC 27601

SCOOTER'S ROLESVILLE
 PREPARED FOR
S&S JAVA ENTERPRISES
 ROLESVILLE NC

STORM DETAILS

KHA PROJECT: 016485000
 DATE: 10/31/2023
 SCALE: AS SHOWN
 DESIGNED BY: JAA
 DRAWN BY: JAA
 CHECKED BY: COE

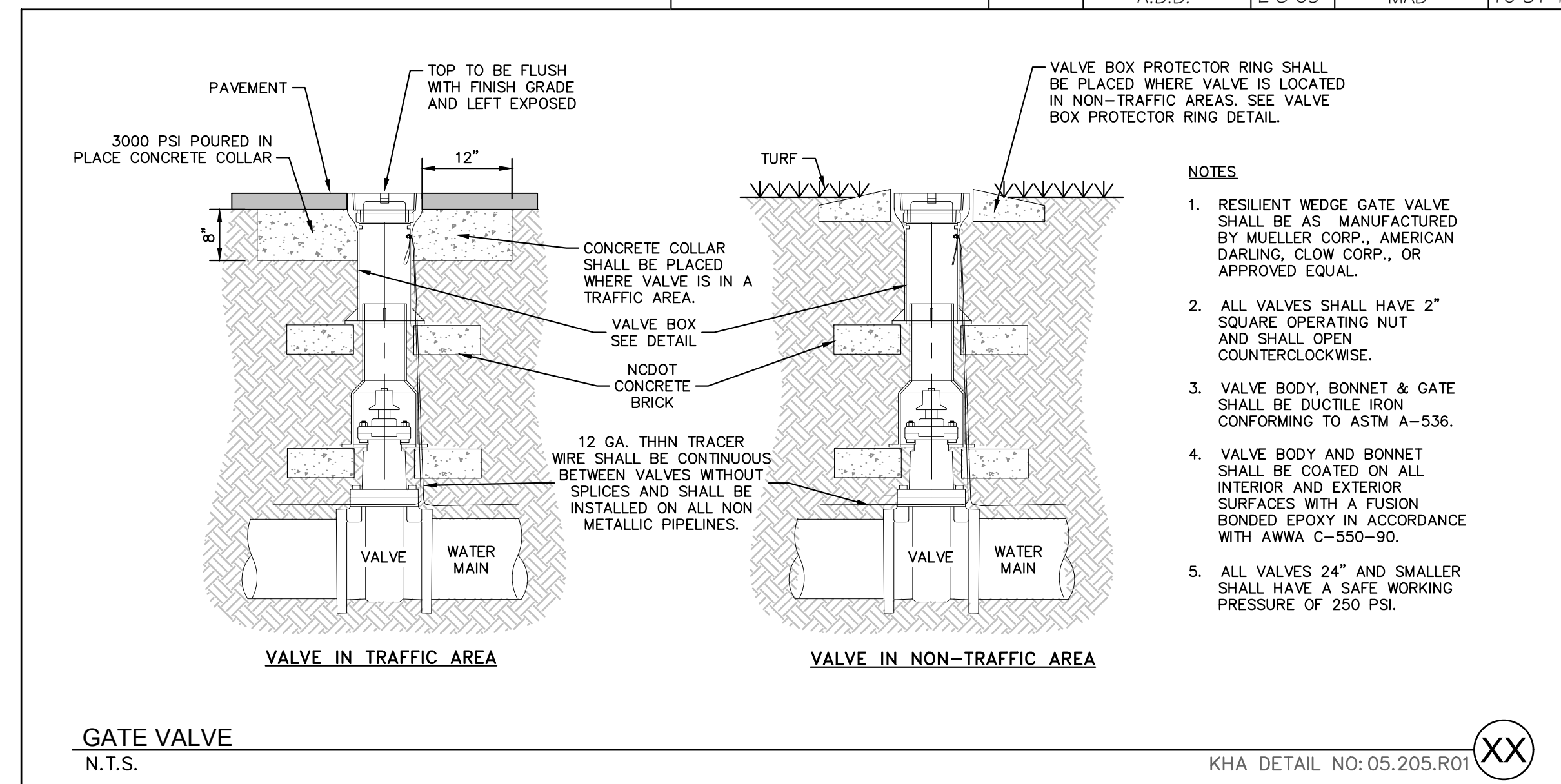
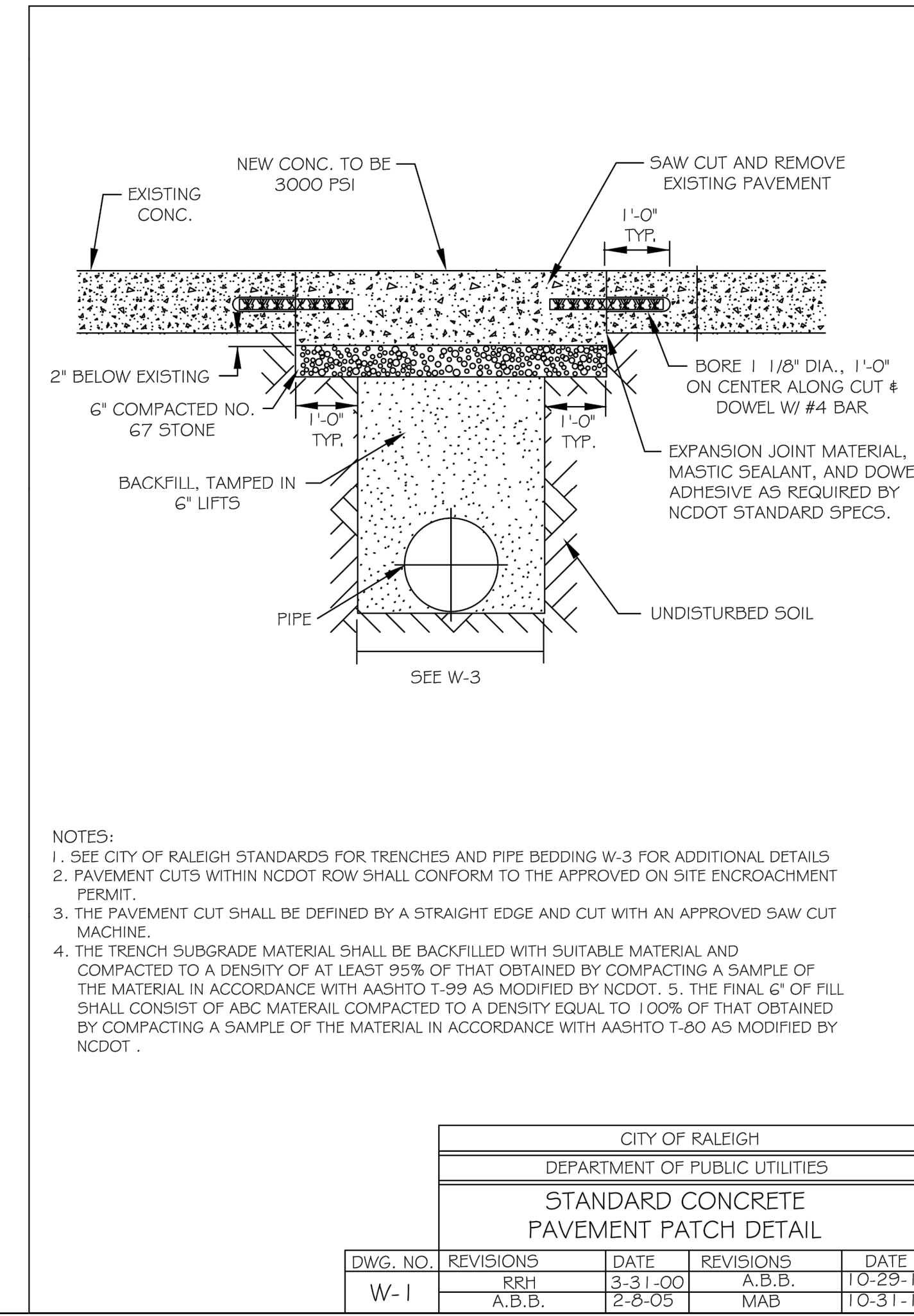
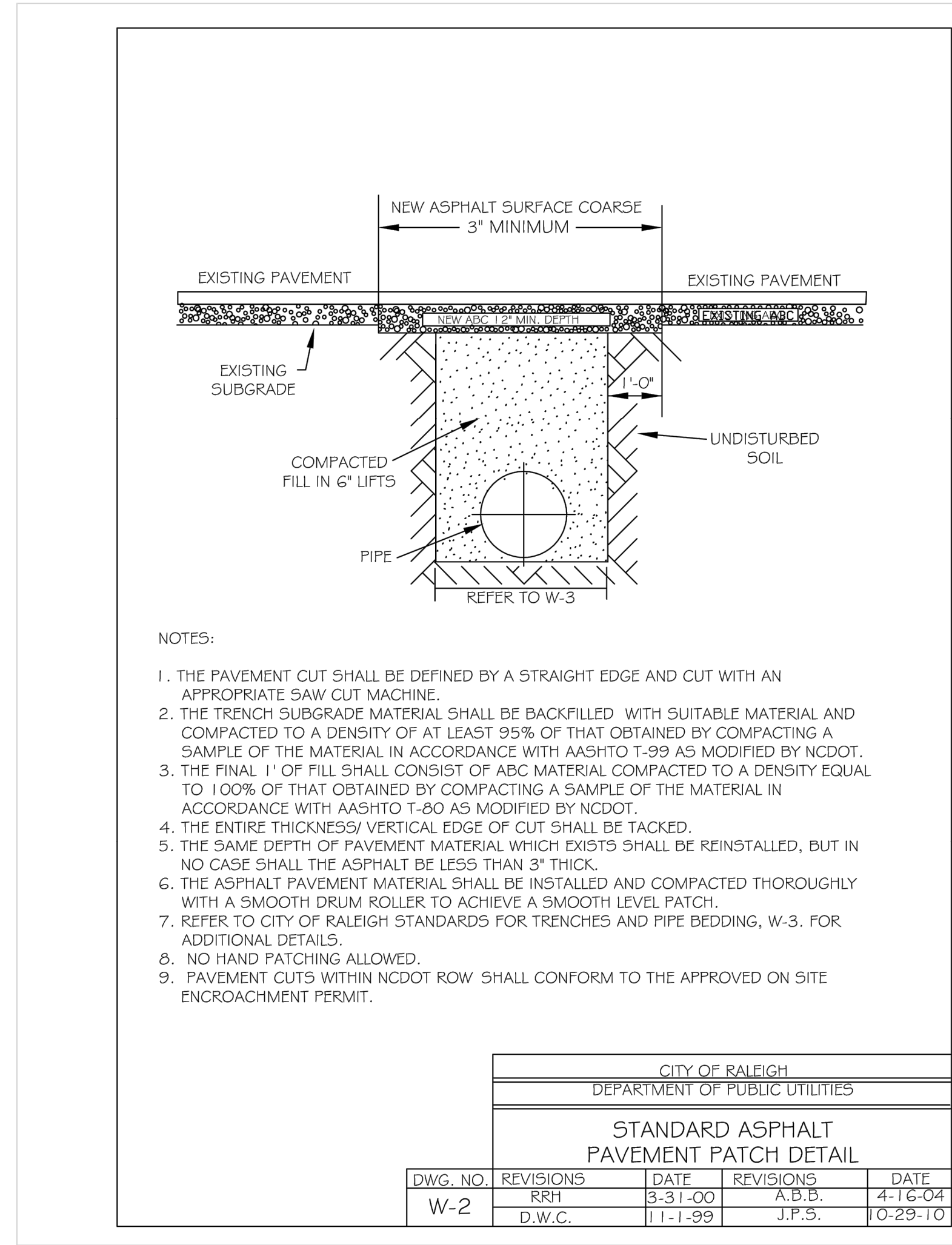
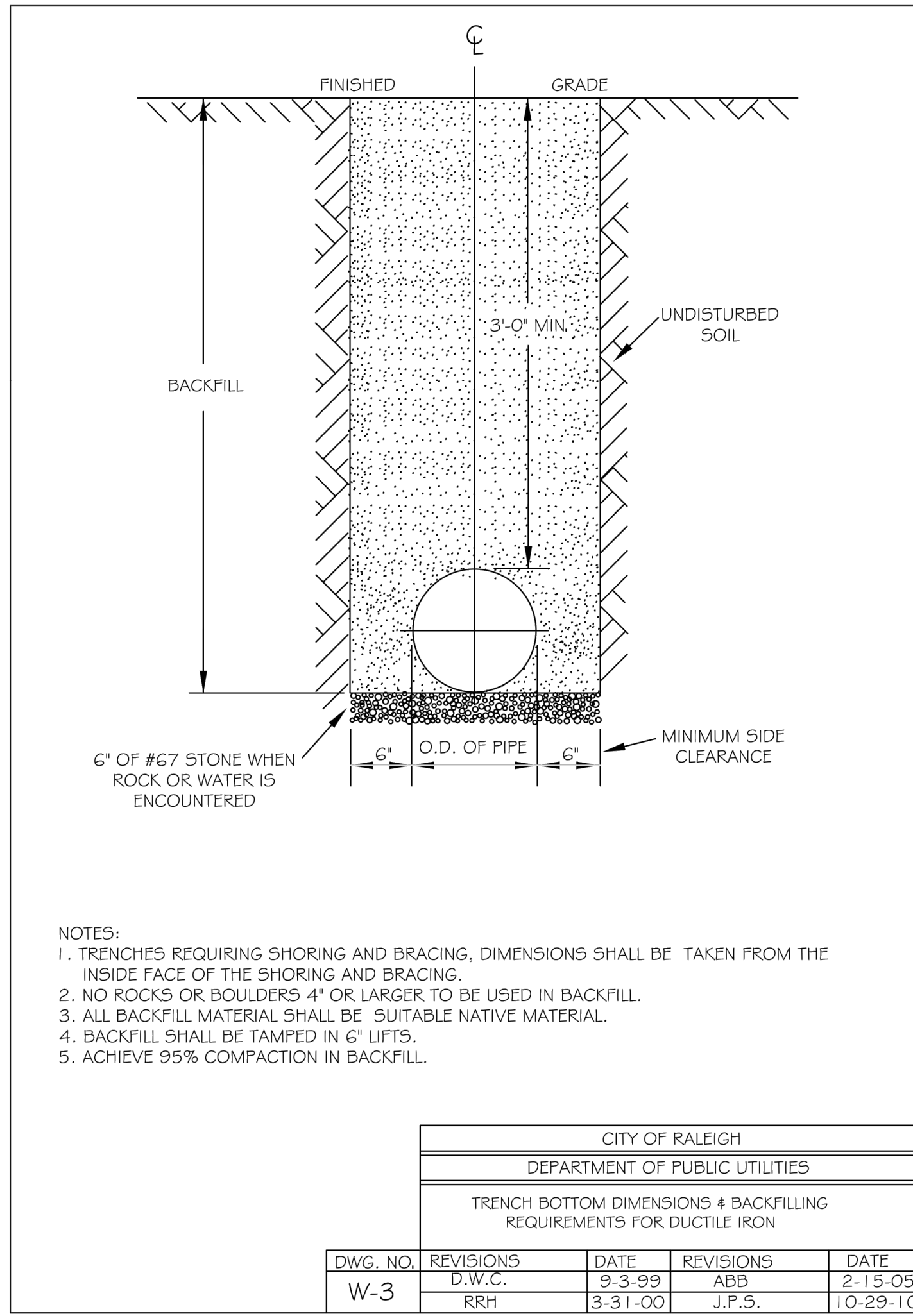
NO PRELIMINARY CONSTRUCTION

REVISIONS

DATE

SHEET NUMBER
C9.1

Plotted By: Alexander, Jamal Sheet Set: SCOOTER'S ROLESVILLE Layout: C11.0 WATER DETAILS October 31, 2023 04:23:02pm K:\RAL_LDEV\016485000-Scoters Rolesville\Planning\P15_CAD Files\PlanSheets\C11.0 WATER DETAILS.dwg
 This document, together with the concepts and designs presented herein, is intended only for the specific purpose and client for which it was prepared. Reuse of and improper reliance on this document without written authorization and adaptation by Kimley-Horn and Associates, Inc. shall be without liability to Kimley-Horn and Associates, Inc.



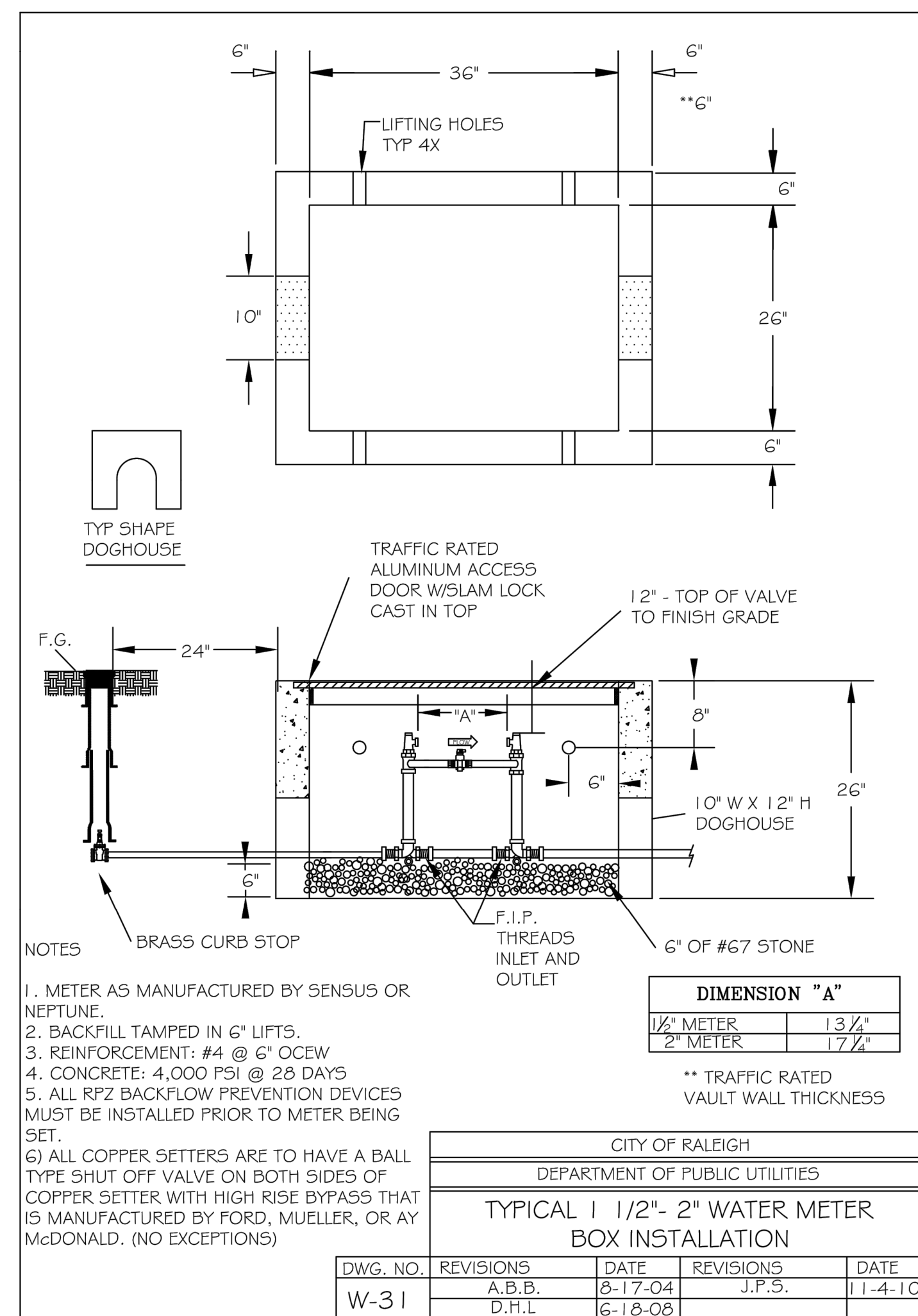
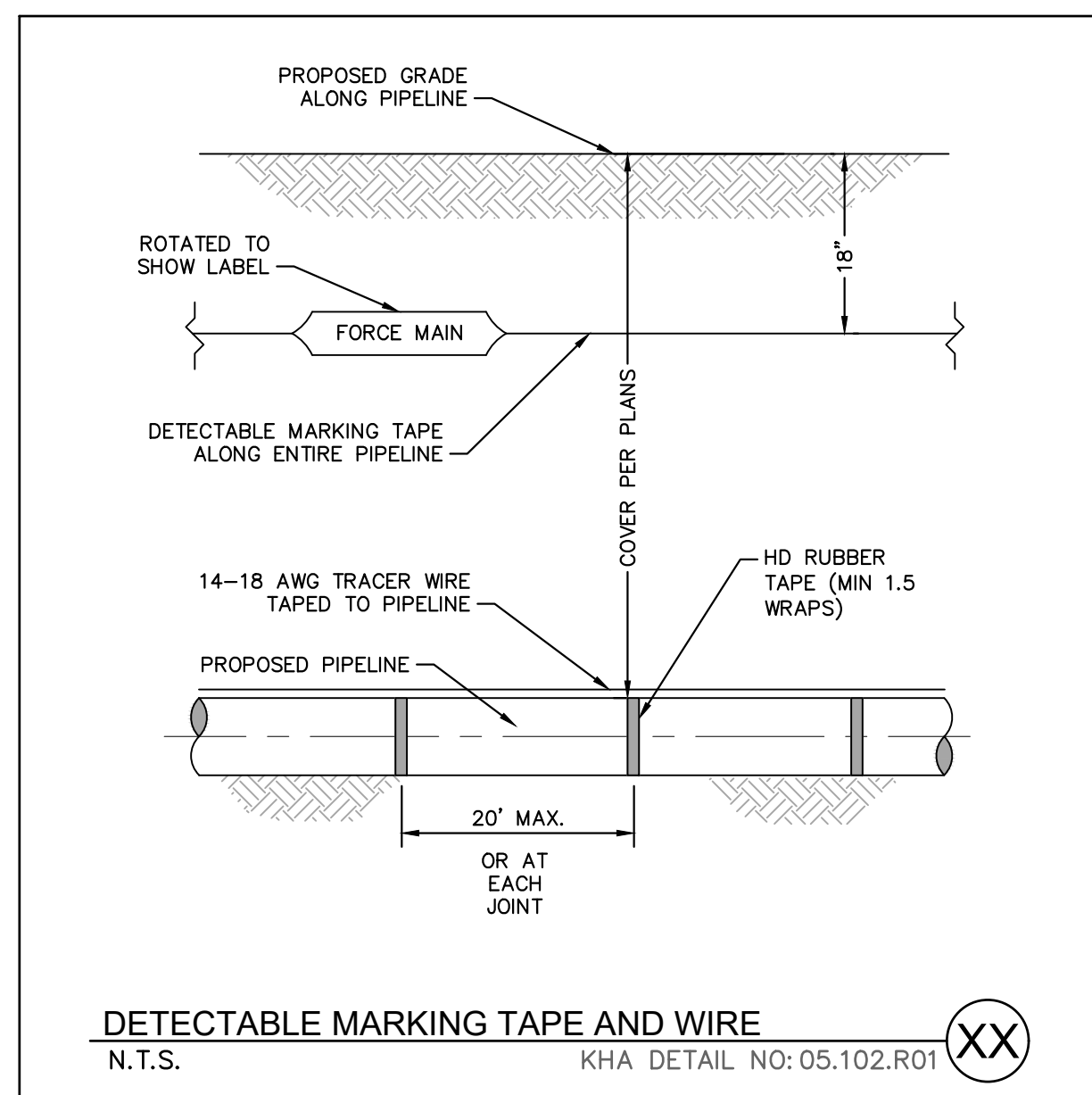
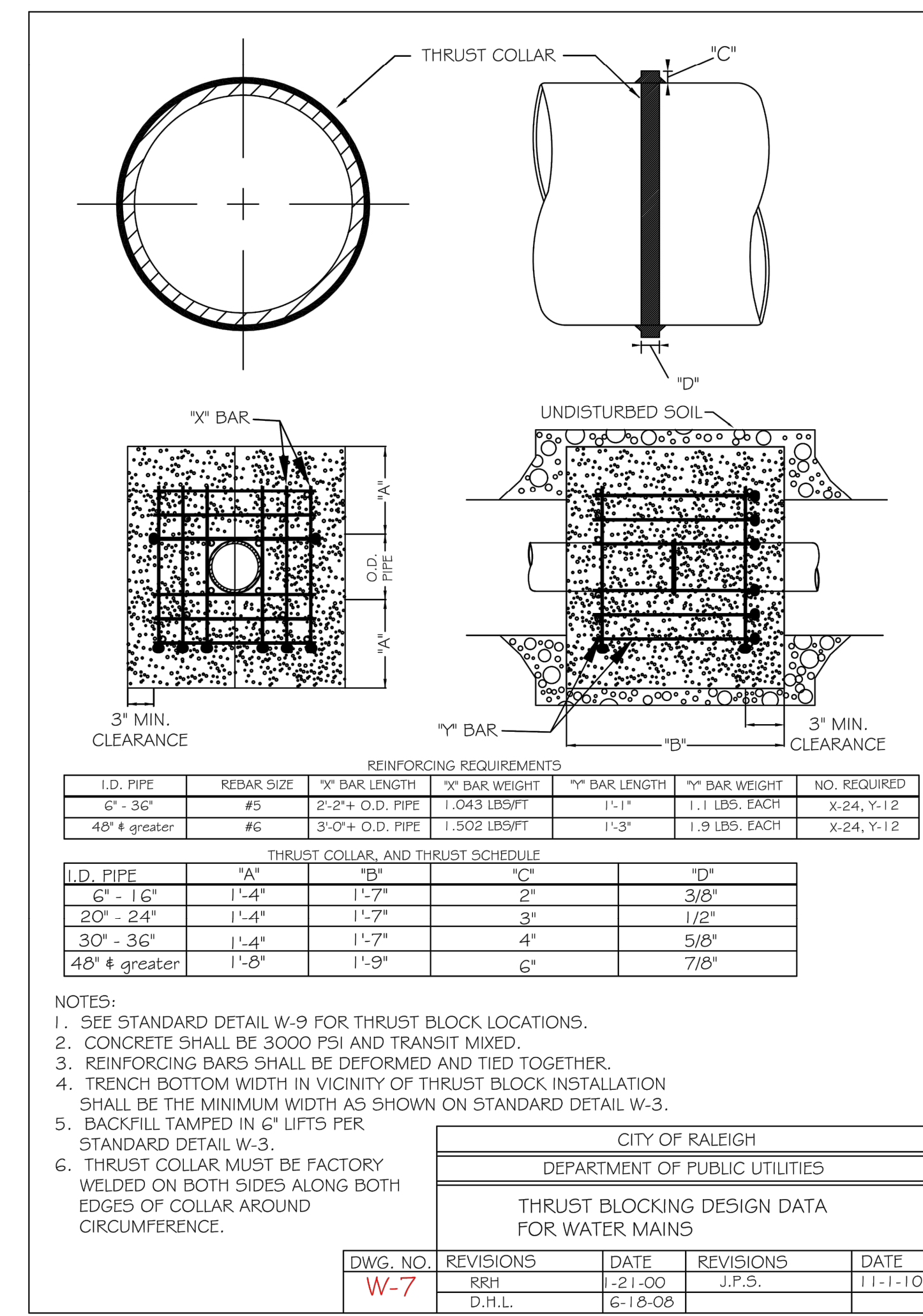
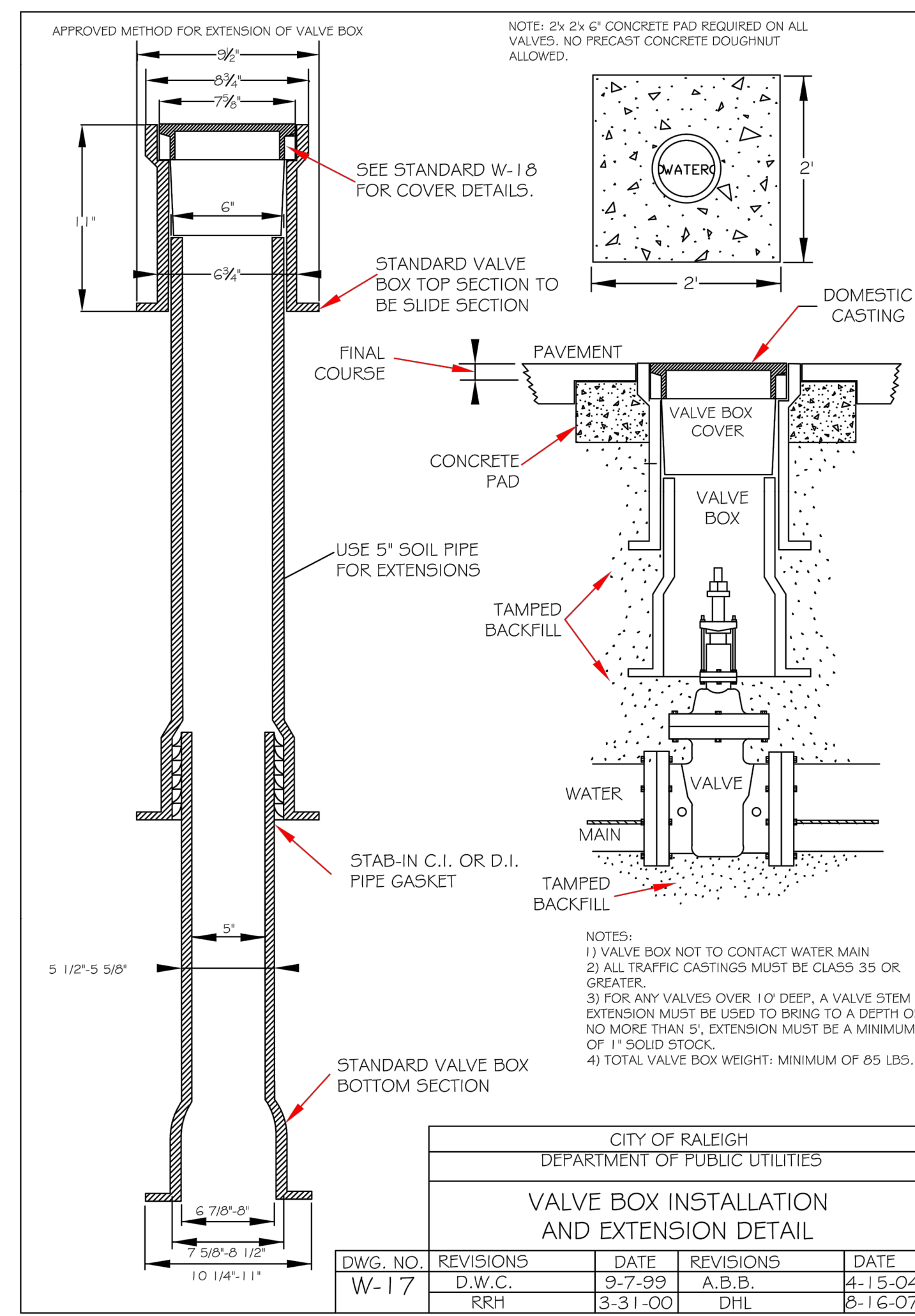
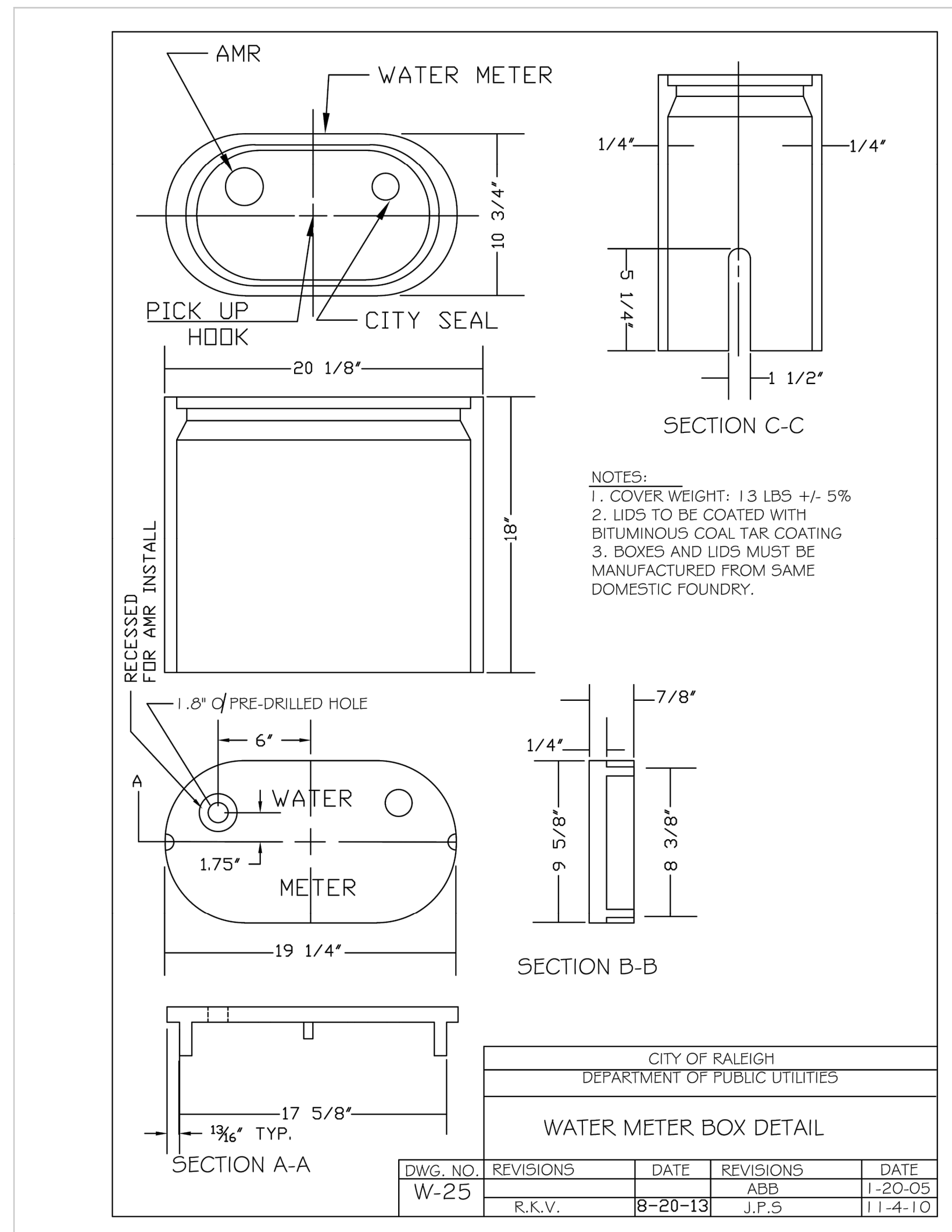
SURVEY NOTE:
 EXISTING TOPOGRAPHICAL INFORMATION IS BASED ON A TOPOGRAPHIC SURVEY OBTAINED ON 02/23/2023 BY CMP PROFESSIONAL LAND SURVEYORS, 333 S. WHITE STREET, WAKE FOREST, NC, 27588. PHONE: (919) 556-3148. CONTRACTOR SHALL BE RESPONSIBLE FOR VERIFYING ALL EXISTING INFORMATION, DEPICTED OR NOT, PRIOR TO CONSTRUCTION AND REPORT POTENTIAL CONFLICTS TO OWNER AND ENGINEER.



KHA PROJECT 016485000		DATE 10/31/2023	SCALE AS SHOWN	DESIGNED BY JAA	DRAWN BY JAA	CHECKED BY COB	
WATER DETAILS							
SCOOTER'S ROLESVILLE							
PREPARED FOR S&S JAVA ENTERPRISES							
ROLESVILLE NC							
SHEET NUMBER C11.0							
						REVISIONS	DATE
						No.	
						7	
						6	
						5	
						4	
						3	
						2	
						1	

© 2023 KIMLEY-HORN AND ASSOCIATES, INC.
 421 FAYETTEVILLE STREET, SUITE 600, RALEIGH, NC 27601
 #F-0102 WWW.KIMLEY-HORN.COM PHONE: 919.677.2000 FAX: 919.677.2050

Plotted By: Alexander, Jamal Sheet Set: SCOOTER'S ROLESVILLE - October 31, 2023 04:23:05pm K:\RAL_LDEV\016485000-Scooters Rolesville\Planning\15_CAD Files\15_Sheets\C11.1_WATER DETAILS.dwg
 This document, together with the concepts and designs presented herein, is intended only for the specific purpose and client for which it was prepared. Reuse of and improper reliance on this document without written authorization and adaptation by Kimley-Horn and Associates, Inc. shall be without liability to Kimley-Horn and Associates, Inc.



SURVEY NOTE:
 EXISTING TOPOGRAPHICAL INFORMATION IS BASED ON A TOPOGRAPHIC SURVEY OBTAINED ON 02/23/2023 BY CMP PROFESSIONAL LAND SURVEYORS, 333 S. WHITE STREET, WAKE FOREST, NC 27588. PHONE: (919) 556-3148. CONTRACTOR SHALL BE RESPONSIBLE FOR VERIFYING ALL EXISTING INFORMATION, DEPICTED OR NOT, PRIOR TO CONSTRUCTION AND REPORT POTENTIAL CONFLICTS TO OWNER AND ENGINEER.



Kimley >>> Horn

© 2023 KIMLEY-HORN AND ASSOCIATES, INC.
 421 FAYETTEVILLE STREET, SUITE 600, RALEIGH, NC 27601
 PHONE: 919.677.2000 FAX: 919.677.2050

SCOOTER'S ROLESVILLE

PREPARED FOR
S&S JAVA ENTERPRISES

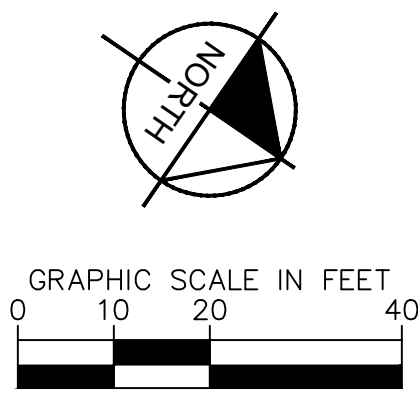
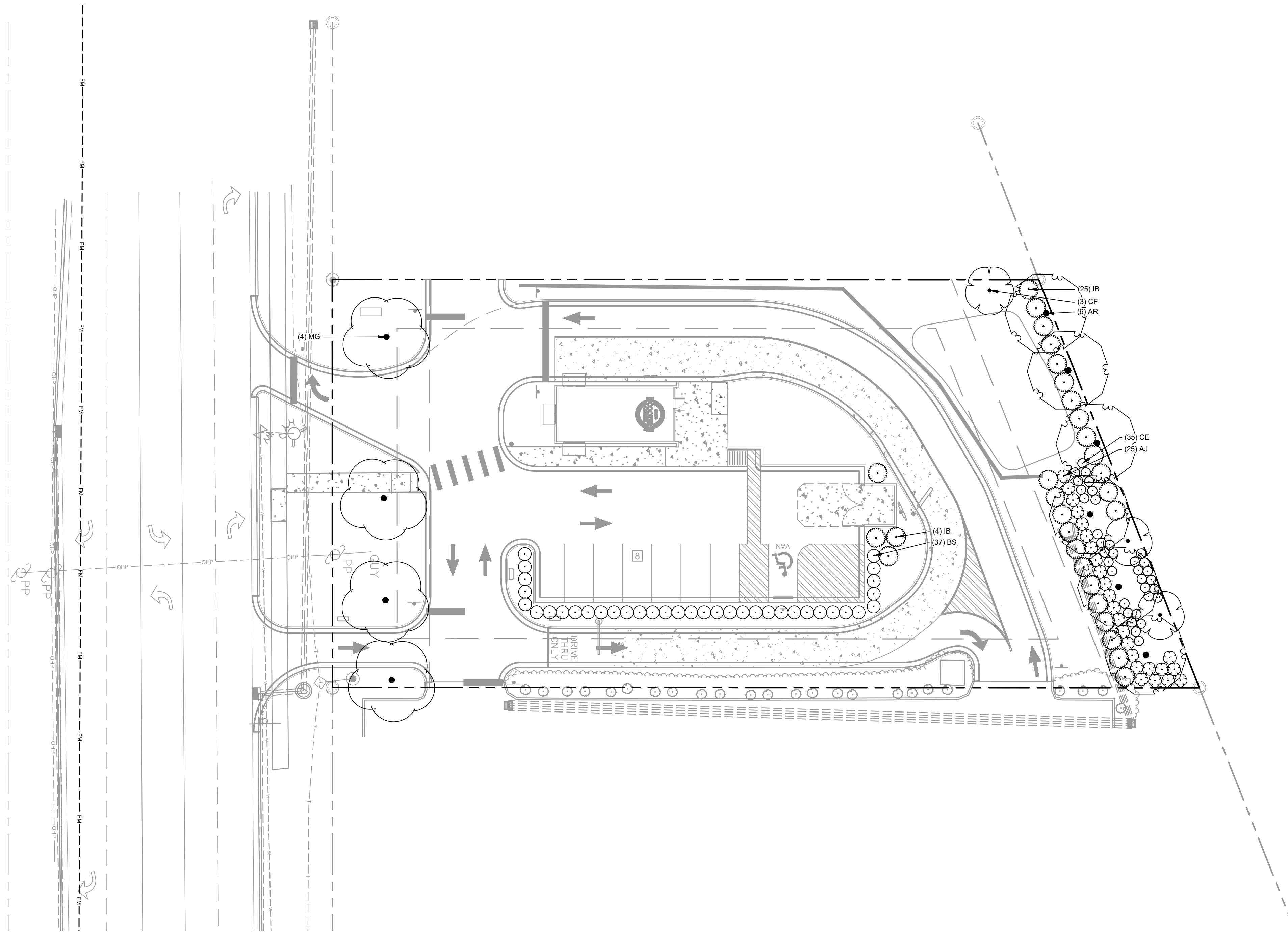
ROLESVILLE NC

WATER DETAILS

SHEET NUMBER
C11.1

NO.	REVISIONS	DATE	BY
7			
6			
5			
4			
3			
2			
1			

Plotted By: Alexander, Jamal Sheet Set: SCOOTER'S ROLESVILLE Layout: L1.0 LANDSCAPE PLAN October 31, 2023 04:23:12pm K:\RAL_LDEV\016485000-Scooter's Rolesville\Planning\P15_CAD Files\Plan\Sheet\L1.0 LANDSCAPE PLAN.dwg
 This document, together with the concepts and designs presented herein, is an instrument of service, is intended only for the specific purpose and client for which it was prepared. Reuse of and improper reliance on this document without written authorization and adaptation by Kimley-Horn and Associates, Inc. shall be without liability to Kimley-Horn and Associates, Inc.



LANDSCAPE NOTES:

- ALL LANDSCAPED AREAS ARE TO RECEIVE A MINIMUM OF 3" OF TOPSOIL. DO NOT MOUND MULCH AGAINST ROOT FLARES.
- ALL PLANT MATERIAL SHALL BE HEALTHY, VIGOROUS, AND FREE OF PESTS AND DISEASE.
- ALL MATERIALS ARE SUBJECT TO THE APPROVAL OF THE LANDSCAPE ARCHITECT BEFORE, DURING, AND AFTER INSTALLATION.
- ALL TREES MUST BE GUYED OR STAKED AS SHOWN IN THE DETAILS.
- ALL PLANTING AREAS SHALL BE COMPLETELY MULCHED AS SPECIFIED.
- ANY DISTURBED GRASS AREA IS TO BE REPLANTED. ALL SLOPES 3:1 OR GREATER SHALL BE SEEDED WITH SLOPE MASTER NO-MOW MIX OR OWNER APPROVED EQUAL.
- PRIOR TO CONSTRUCTION, THE CONTRACTOR SHALL BE RESPONSIBLE FOR LOCATING ALL UNDERGROUND UTILITIES AND SHALL AVOID DAMAGE TO ALL UTILITIES DURING THE COURSE OF THE WORK. LOCATIONS OF EXISTING BURIED UTILITY LINES SHOWN ON THE PLANS ARE BASED UPON BEST AVAILABLE INFORMATION AND ARE TO BE CONSIDERED APPROXIMATE. IT SHALL BE THE RESPONSIBILITY OF THE CONTRACTOR 1) TO VERIFY THE LOCATIONS OF UTILITY LINES AND ADJACENT TO THE WORK AREA 2) TO PROTECT OF ALL UTILITY LINES DURING THE CONSTRUCTION PERIOD 3) TO REPAIR ANY AND ALL DAMAGE TO UTILITIES, STRUCTURES, SITE APPURTENANCES, ETC. WHICH OCCURS AS A RESULT OF THE CONSTRUCTION.
- THE CONTRACTOR SHALL BE RESPONSIBLE FOR VERIFYING ALL QUANTITIES SHOWN ON THESE PLANS BEFORE PRICING THE WORK.
- CONTRACTOR SHALL BE RESPONSIBLE FOR DELIVERY SCHEDULE AND PROTECTION BETWEEN DELIVERY AND PLANTING TO MAINTAIN HEALTHY PLANT CONDITIONS.
- THE CONTRACTOR SHALL BE RESPONSIBLE FOR FULLY MAINTAINING (INCLUDING BUT NOT LIMITED TO: WATERING, SPRAYING, MULCHING, FERTILIZING, ETC.) ALL OF THE PLANT MATERIALS AND LAWN FOR THE WARRANTY PERIOD.
- ANY PLANT MATERIAL WHICH IS DISEASED, DISTRESSED, DEAD, OR REJECTED (PRIOR TO SUBSTANTIAL COMPLETION) SHALL BE PROMPTLY REMOVED FROM THE SITE AND REPLACED WITH MATERIAL OF THE SAME SPECIES, QUANTITY, AND SIZE AND MEETING ALL PLANT LIST SPECIFICATIONS.
- THE CONTRACTOR SHALL COMPLETELY GUARANTEE ALL PLANT MATERIAL FOR WARRANTY PERIOD. THE CONTRACTOR SHALL PROMPTLY MAKE ALL REPLACEMENTS DURING THE NORMAL PLANTING SEASON.
- STANDARDS SET FORTH IN "AMERICAN STANDARD FOR NURSERY STOCK" REPRESENT GUIDELINE SPECIFICATIONS ONLY AND SHALL CONSTITUTE MINIMUM QUALITY REQUIREMENTS FOR PLANT MATERIAL.
- ALL LANDSCAPING SHALL BE INSTALLED ACCORDING TO SOUND NURSERY PRACTICES, AND SHALL BE STATE STANDARD OR BETTER.
- ALL INVASIVE / EXOTIC SPECIES AND PROHIBITED TREE SPECIES SHALL BE REMOVED FROM SITE, INCLUDING ROOT BALLS TO THE EXTENT POSSIBLE WITH NO DAMAGE TO ADJACENT EXISTING TREES.
- CONTRACTOR TO DESIGN BUILD SYSTEM AND VERIFY ALL PRODUCTS WITH LANDSCAPE ARCHITECT.
- TREE SUPPORT MATERIALS ARE TO BE REMOVED FROM EACH TREE ONCE IT IS "ESTABLISHED" (AS APPROVED BY THE LANDSCAPE ARCHITECT).
- CONTRACTOR SHALL BE RESPONSIBLE FOR ENSURING ALL UTILITIES ARE ADEQUATELY SCREENED WITH THE REQUIRED PLANTING MATERIAL AND VERIFY PLANT SPECIES WITH LANDSCAPE ARCHITECT.
- ALL PLANT SPECIFICATIONS IN THE PLANT SCHEDULE SHALL BE CONSIDERED THE MINIMUM ALLOWABLE SPECIFICATIONS. CONTRACTOR SHALL PROCURE PLANT MATERIALS AND UPSIZE AS NECESSARY TO MEET THE MOST STRINGENT SPECIFICATION.

LANDSCAPE REQUIREMENTS

PERIMETER BUFFER REQUIREMENTS 6.2.2.1		
Type 3 Perimeter Buffer: 136 lf	Required	Provided
Width	25 feet	Provided
Canopy Trees	4 canopy trees per 100 linear feet = 6 canopy trees	6 Canopy Trees
Understory Trees	2 understory trees per 100 linear feet = 3 understory trees	3 Understory Trees
Shrubs	60 shrubs per 100 linear feet = 82 shrubs	83 shrubs
STREET BUFFER 6.2.2.2		
Street Buffer: 126 lf	Required	Provided
Width	30 feet	Provided
Street Tree	1 per 40 linear feet = 4 street trees	4 Street Trees
PARKING LANDSCAPING 6.2.4.4		
Parking Perimeter	Required	Provided
Shrubs	Continuous row of shrubs within 5 feet of the parking lot edge	Provided

PLANT SCHEDULE

TREES	CODE	QTY	BOTANICAL NAME	COMMON NAME	CONT.	SIZE	HEIGHT
	AR	6	ACER RUBRUM	RED MAPLE	5 GAL	3" CAL.	10-12' MIN
	CF	3	CORNUS FLORIDA	FLOWERING DOGWOOD	5 GAL	2" CAL. MIN	8' MIN.
	MG	4	MAGNOLIA GRANDIFLORA	SOUTHERN MAGNOLIA	5 GAL	3" CAL.	10-12' MIN
SHRUBS	CODE	QTY	BOTANICAL NAME	COMMON NAME	CONT.	SIZE	
	AJ	26	AUCUBA JAPONICA	JAPANESE LAUREL	5 GAL	24" HT.	
	BS	37	BUXUS SEMPERVIRENS	COMMON BOXWOOD	5 GAL	24" HT.	
	CE	35	CRYPTOMERIA JAPONICA 'ELEGANS NANA'	DWARF JAPANESE CEDAR	5 GAL	24" HT.	
	IB	29	ILEX CORNUTA 'BURFORDII'	BURFORD HOLLY	5 GAL	24" HT.	

NOTES:

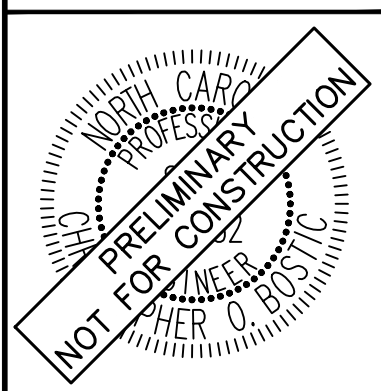
- ESTABLISH SOD IN ALL DISTURBED AREAS. SEE SPECIFICATIONS FOR MORE INFORMATION.
- ALL AREAS WITH PROPOSED LANDSCAPE MATERIAL SHALL RECEIVE A MINIMUM THREE (3) INCHES OF SHREDDED HARDWOOD MULCH. SEE LANDSCAPE PLAN FOR MULCH BOUNDARY LINES. SEE LANDSCAPE DETAILS FOR TYPICAL MULCH AREA DIMENSIONS.

SURVEY NOTE:
 EXISTING TOPOGRAPHICAL INFORMATION IS BASED ON A TOPOGRAPHIC SURVEY OBTAINED ON 02/23/2023 BY CMP PROFESSIONAL LAND SURVEYORS, 333 S. WHITE STREET, WAKE FOREST, NC, 27588. PHONE: (919) 556-3148. CONTRACTOR SHALL BE RESPONSIBLE FOR VERIFYING ALL EXISTING INFORMATION, DEPICTED OR NOT, PRIOR TO CONSTRUCTION AND REPORT POTENTIAL CONFLICTS TO OWNER AND ENGINEER.

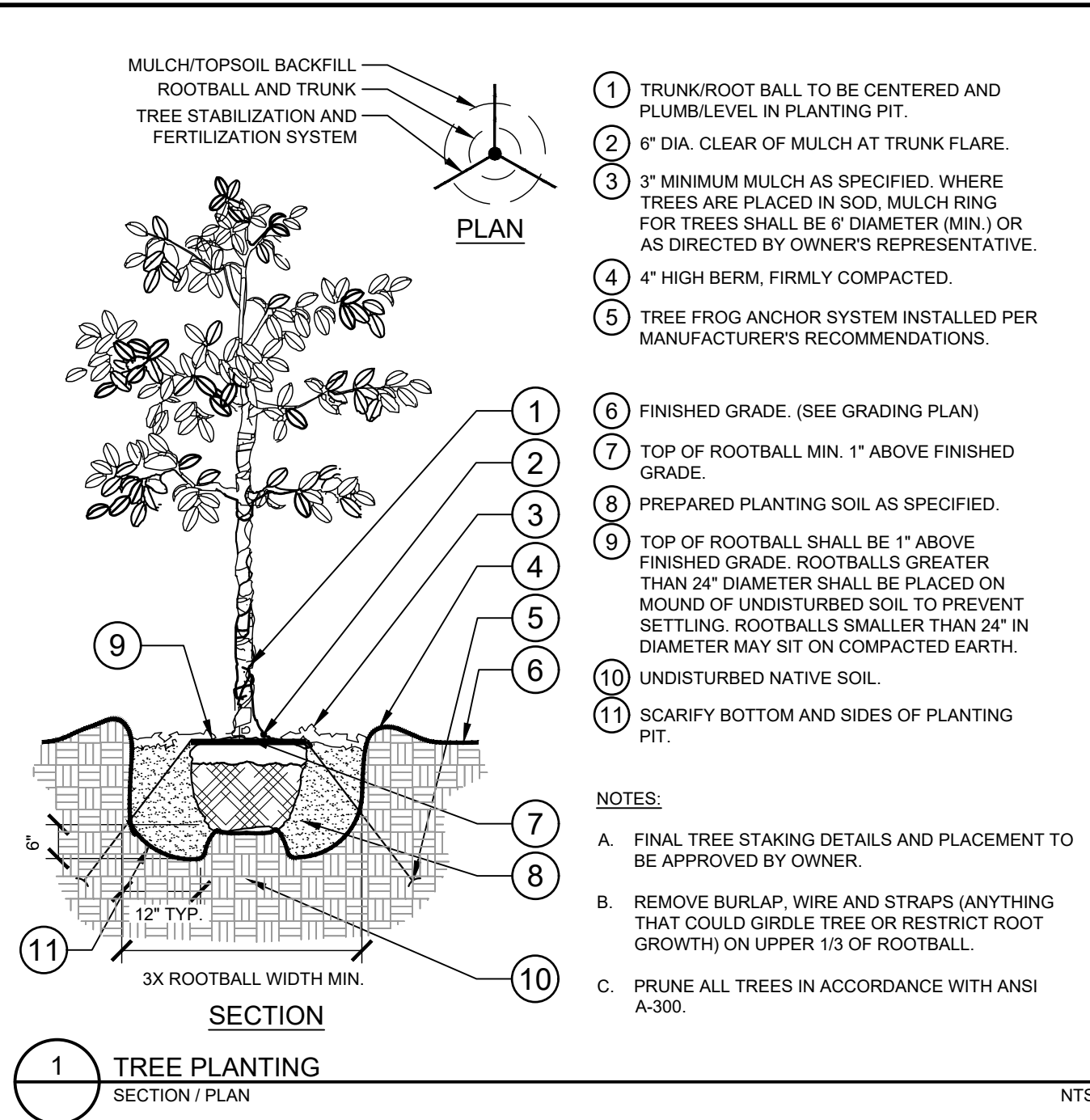


KHA PROJECT 016485000		DATE 10/31/2023		SCALE AS SHOWN		DESIGNED BY JAA		DRAWN BY JAA		CHECKED BY COB	
LANDSCAPE PLAN											
SCOOTER'S ROLESVILLE											
PREPARED FOR S&S JAVA ENTERPRISES ROLESVILLE, NC											
SHEET NUMBER L1.0											
										REVISIONS	BY
										No.	DATE

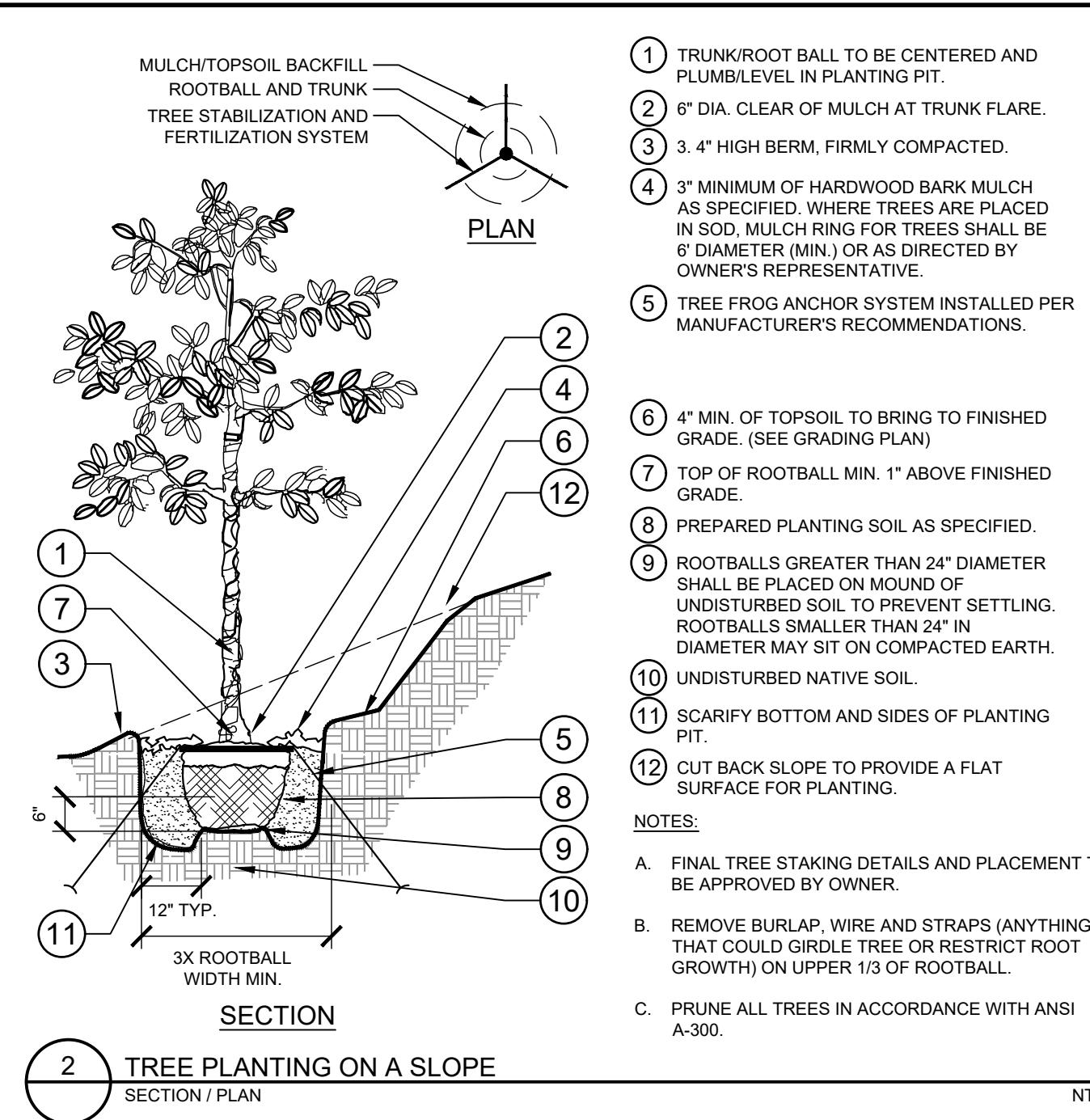
Kimley»Horn
 © 2023 KIMLEY-HORN AND ASSOCIATES, INC.
 #F-0102 WWW.KIMLEY-HORN.COM PHONE: 919-677-2000 FAX: 919-677-2050
 421 FAYETTEVILLE STREET, SUITE 600, RALEIGH, NC 27601



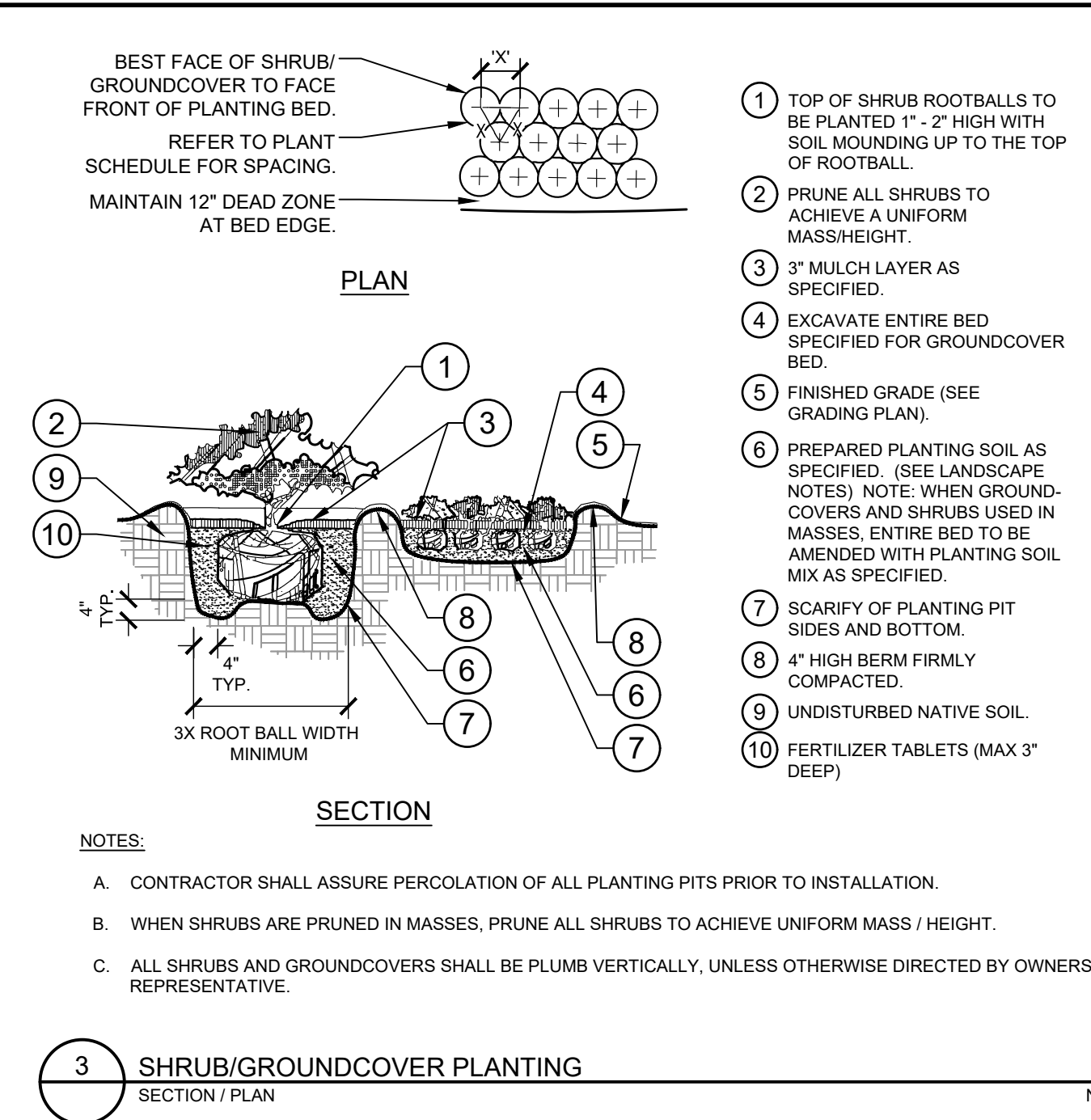
Plotted By: Alexander, Jamal Sheet: S&S SCOOTER'S ROLESVILLE, October 31, 2023 04:23:19pm K:\BAL_LDEV\016485000-Scooter's Rolesville\Planting\15 CAD Files\Planting\15 Landscape Details.dwg
 This document, together with the concepts and designs presented herein, is an instrument of service, is intended only for the specific purpose and client for which it was prepared. Reuse of and improper reliance on this document without written authorization and adaptation by Kimley-Horn and Associates, Inc. shall be without liability to Kimley-Horn and Associates, Inc.



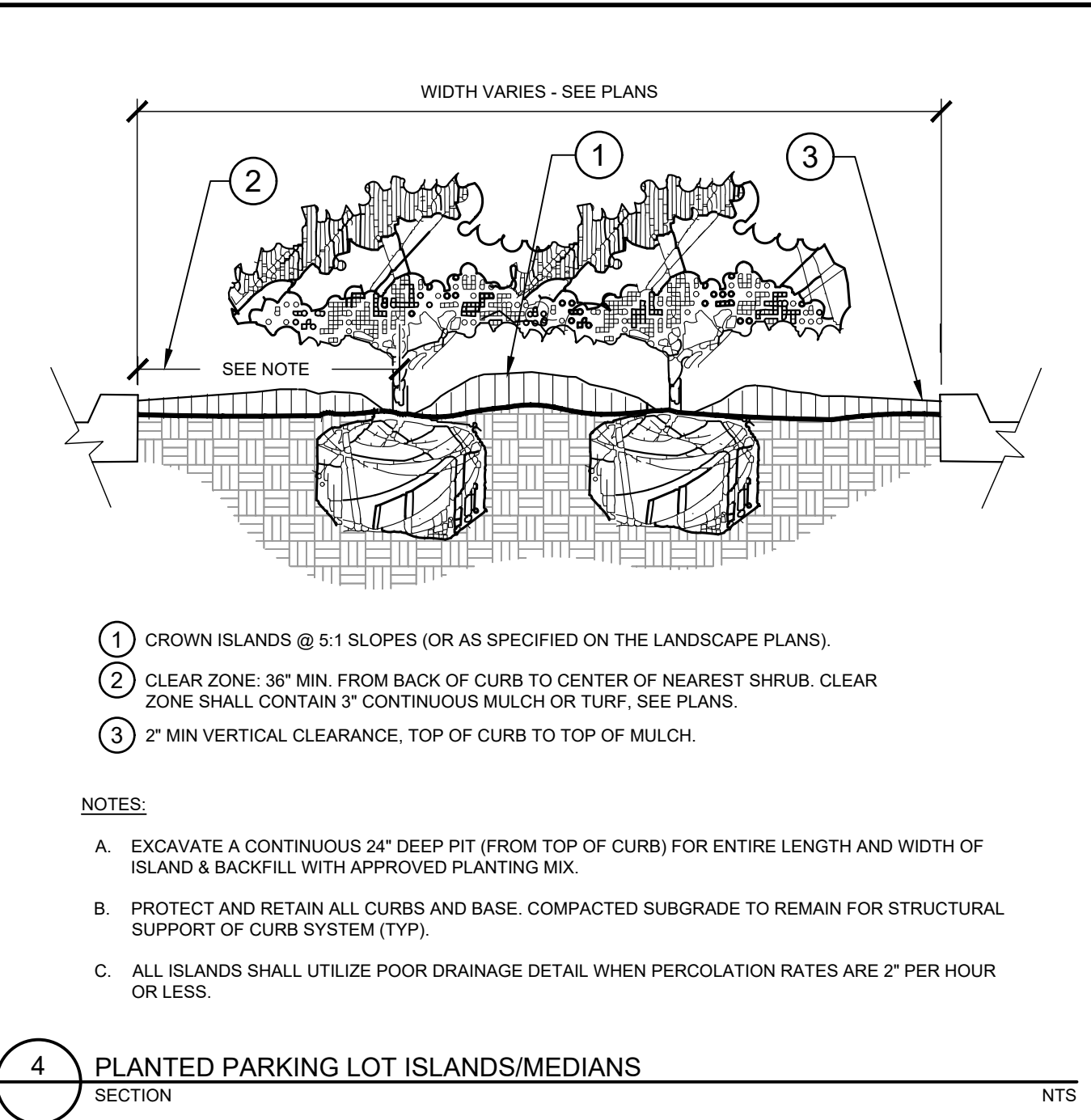
1 TREE PLANTING
SECTION / PLAN NTS



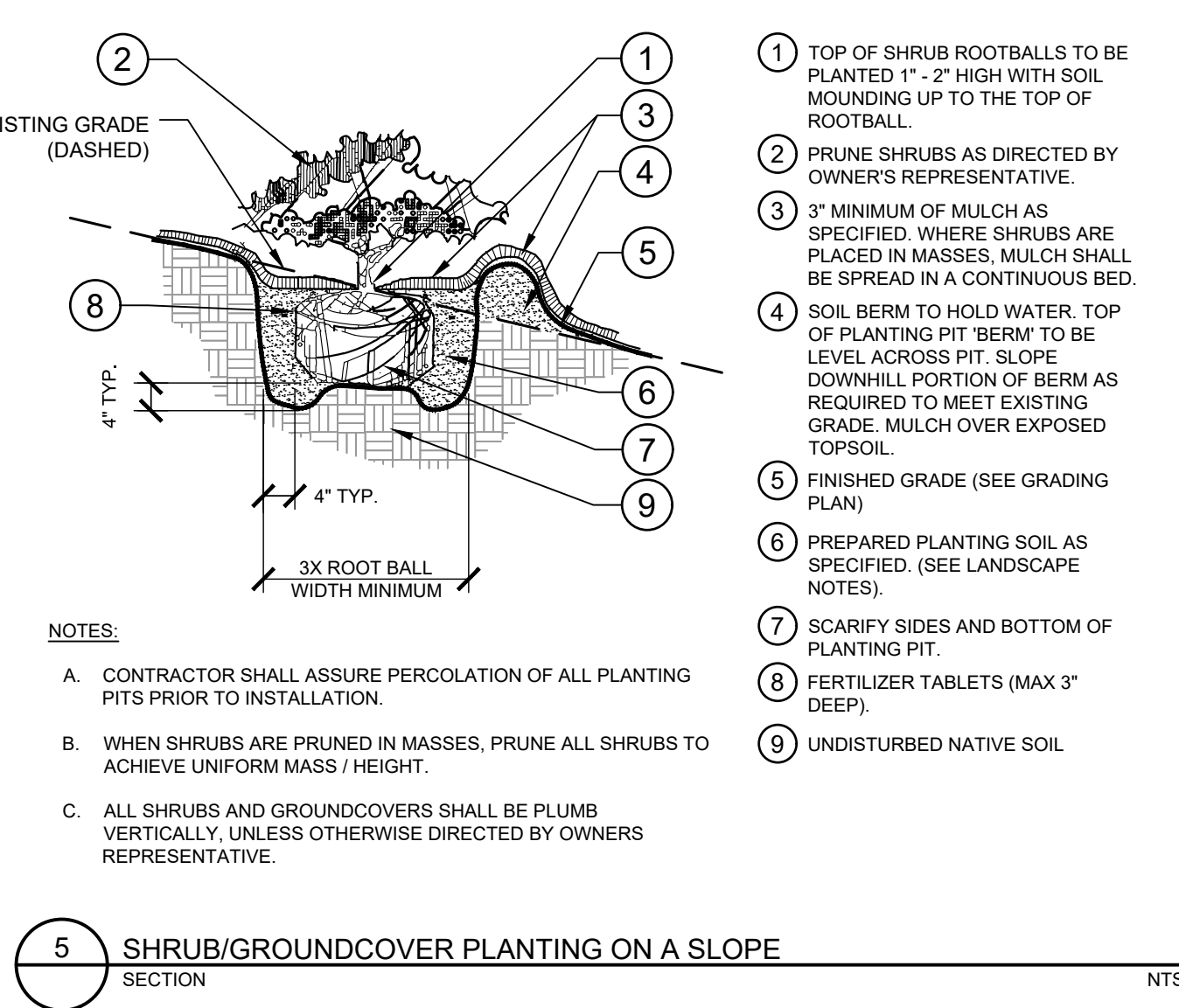
2 TREE PLANTING ON A SLOPE
SECTION / PLAN NTS



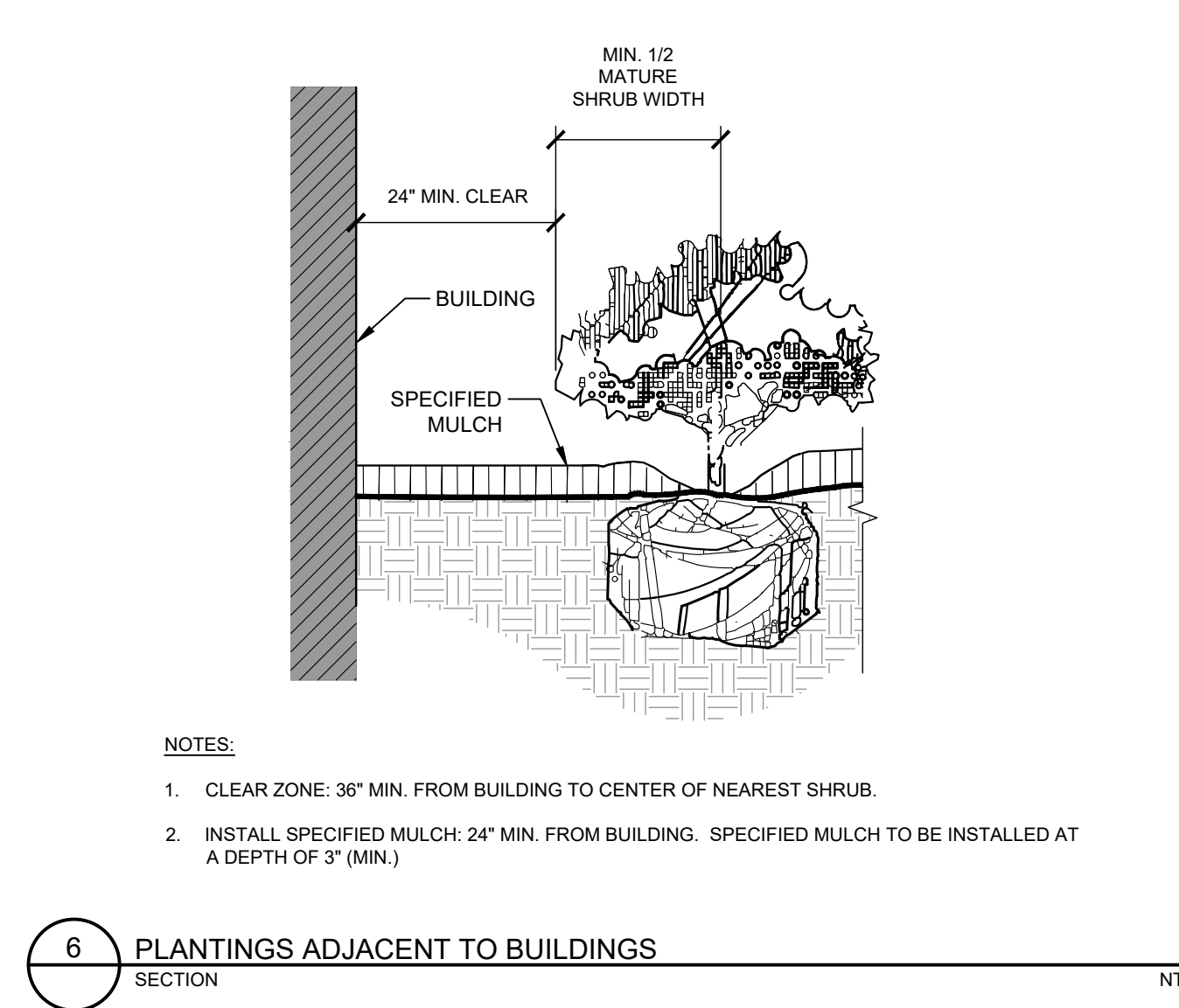
3 SHRUB/GROUNDCOVER PLANTING
SECTION / PLAN NTS



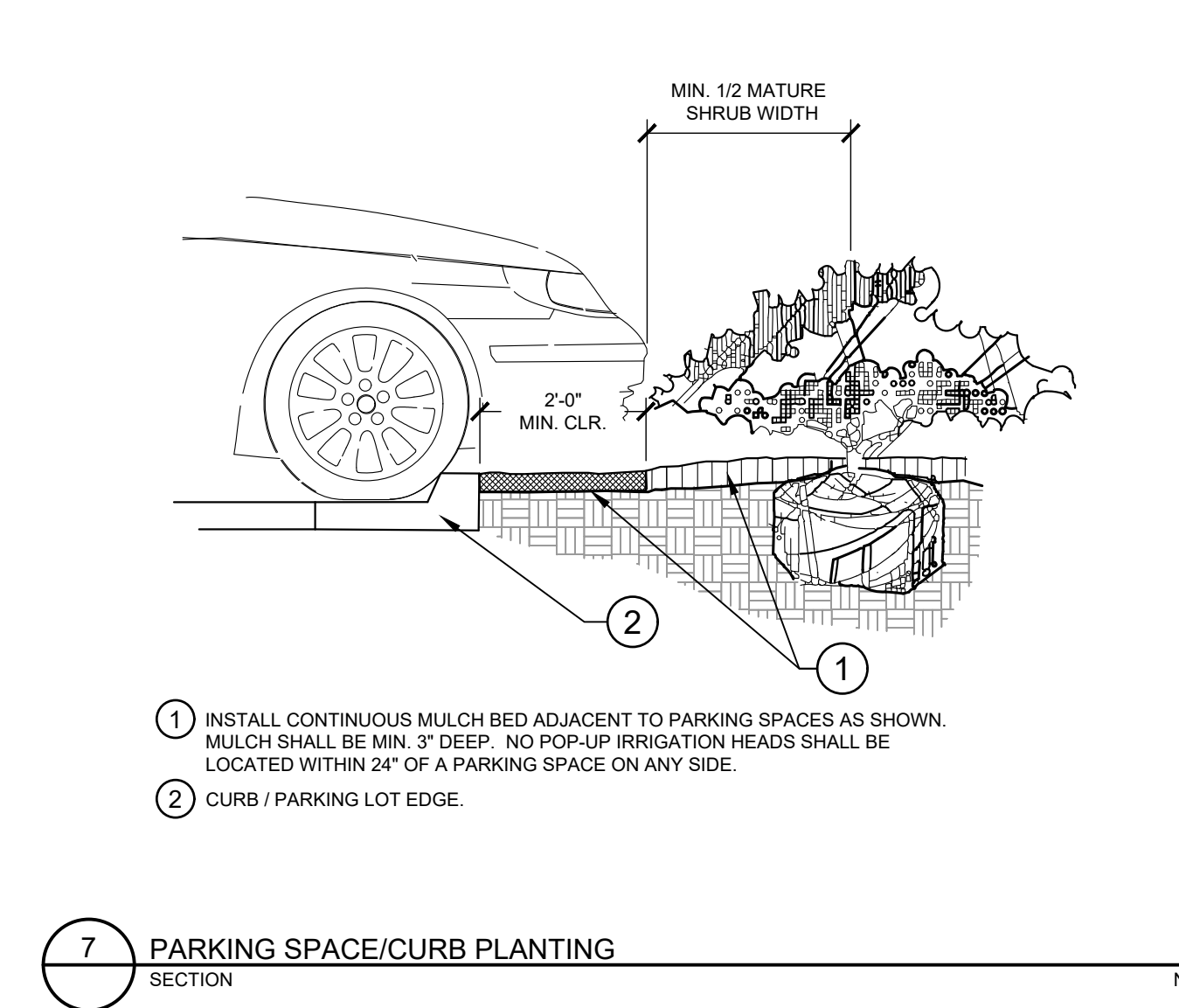
4 PLANTED PARKING LOT ISLANDS/MEDIANS
SECTION NTS



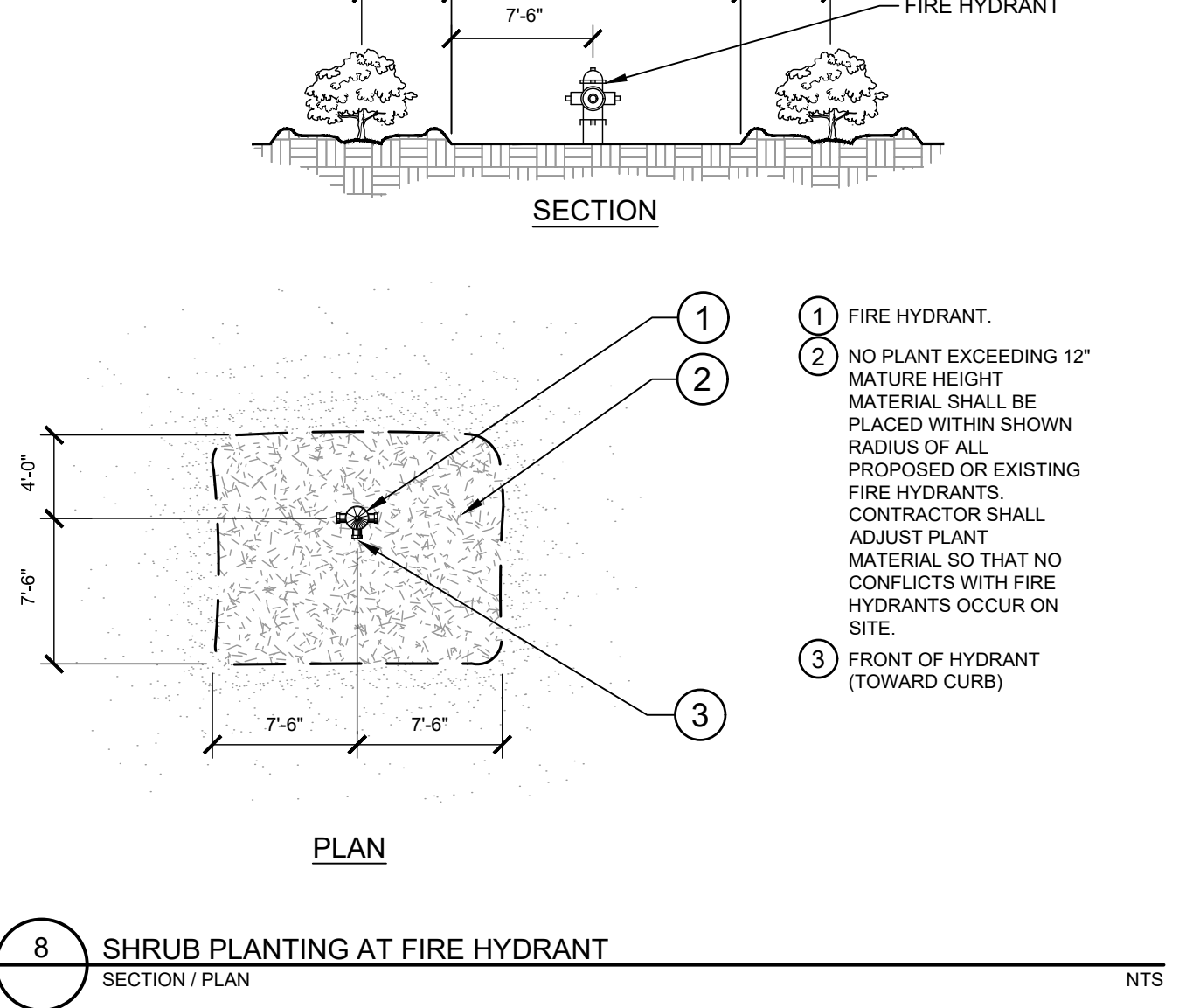
5 SHRUB/GROUNDCOVER PLANTING ON A SLOPE
SECTION NTS



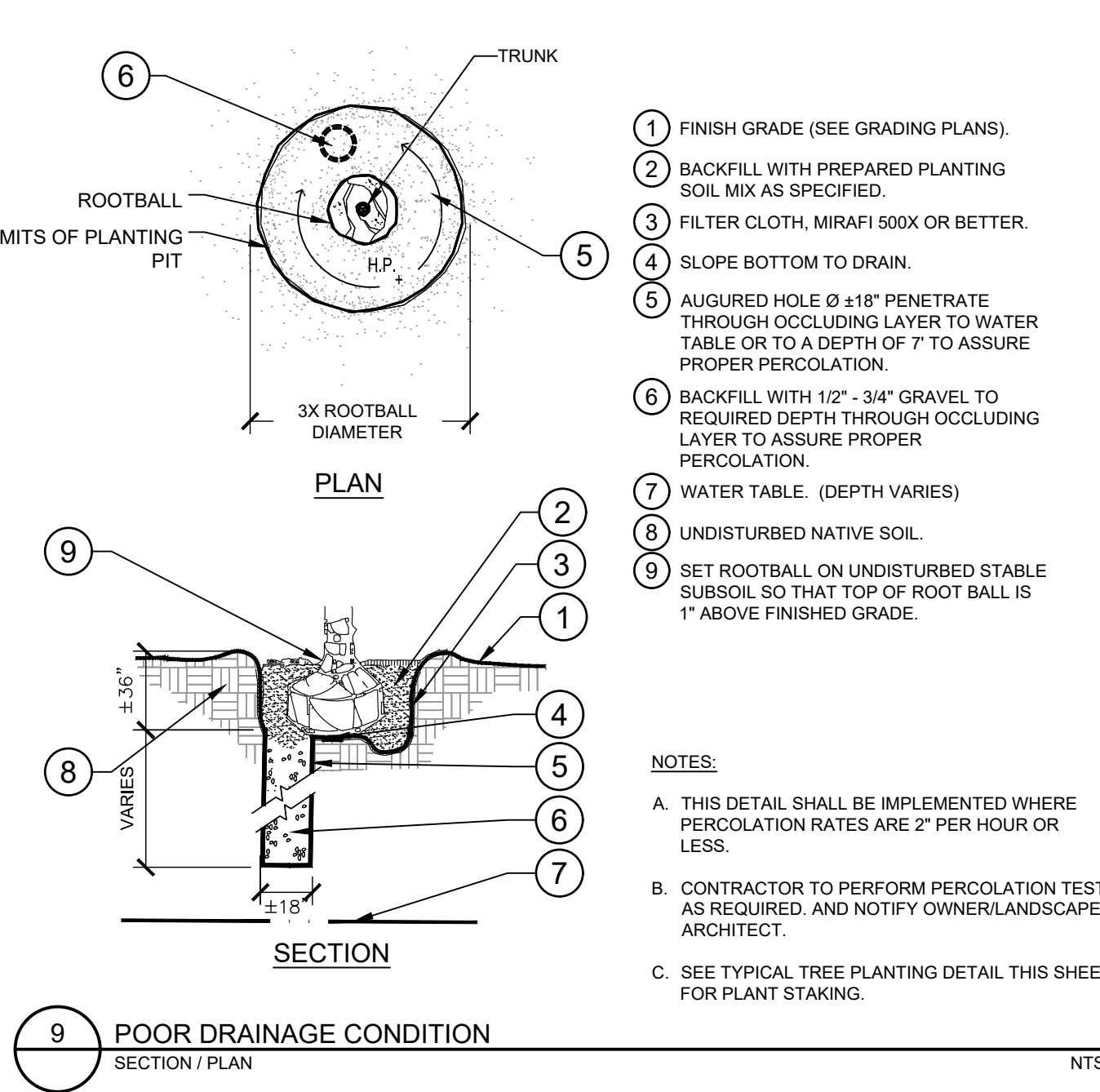
6 PLANTINGS ADJACENT TO BUILDINGS
SECTION NTS



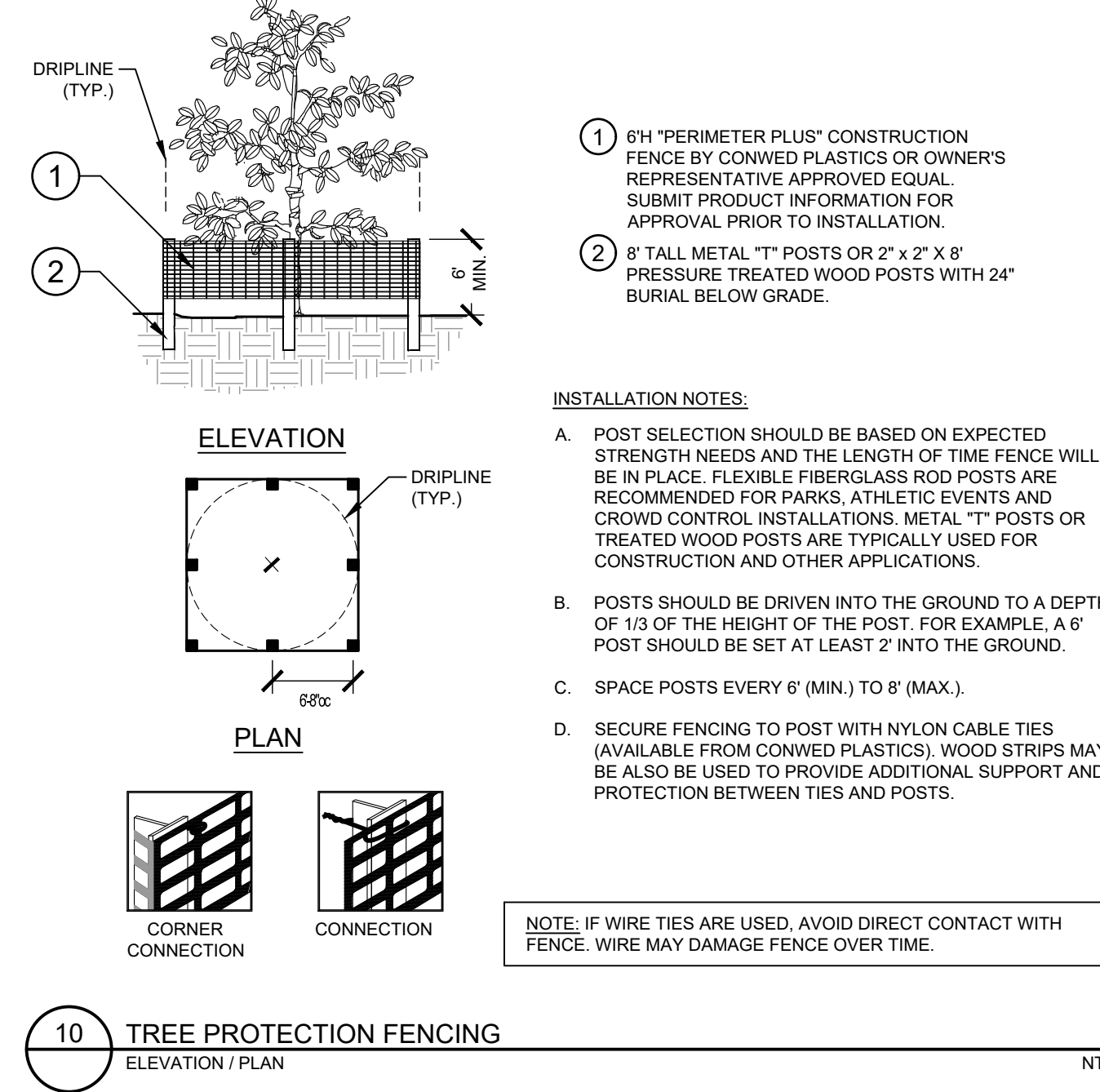
7 PARKING SPACE/CURB PLANTING
SECTION NTS



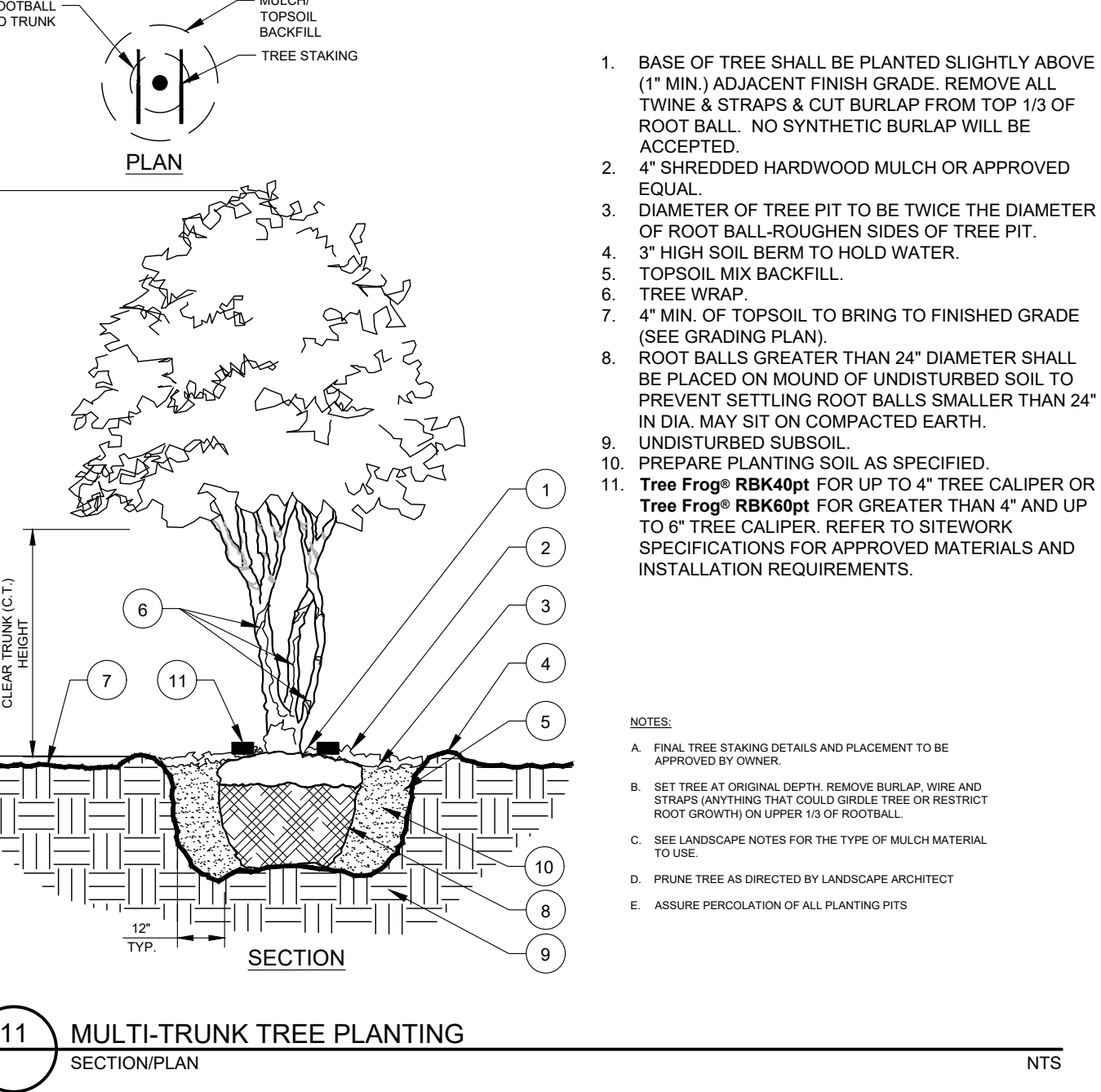
8 SHRUB PLANTING AT FIRE HYDRANT
SECTION / PLAN NTS



9 POOR DRAINAGE CONDITION
SECTION / PLAN NTS



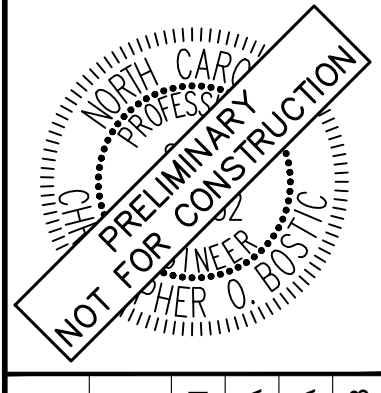
10 TREE PROTECTION FENCING
ELEVATION / PLAN NTS



11 MULTI-TRUNK TREE PLANTING
SECTION / PLAN NTS

NO.	REVISIONS	BY	DATE
1			
2			
3			
4			
5			
6			
7			

Kimley & Horn
 © 2023 KIMLEY-HORN AND ASSOCIATES, INC.
 WWW.KIMLEY-HORN.COM PHONE: 919.677.2000 FAX: 919.677.2050
 421 FAYETTEVILLE STREET, SUITE 600, RALEIGH, NC 27601



KHA PROJECT	016485000
DATE	10/31/2023
SCALE	AS SHOWN
DESIGNED BY	JAA
DRAWN BY	JAA
CHECKED BY	COB

LANDSCAPE DETAILS

SCOOTER'S ROLESVILLE
 PREPARED FOR
S&S JAVA ENTERPRISES
 ROLESVILLE, NC



SHEET NUMBER
L2.0

GENERAL LANDSCAPE SPECIFICATIONS AND NOTES

A. SCOPE OF WORK

1. THE WORK CONSISTS OF: FURNISHING ALL LABOR, MATERIALS, EQUIPMENT, TOOLS, TRANSPORTATION, AND ANY OTHER APPURTENANCES NECESSARY FOR THE COMPLETION OF THIS PROJECT AS SHOWN ON THE DRAWINGS, AS INCLUDED IN THE PLANT LIST, AND AS SPECIFIED HEREIN.
 2. WORK SHALL INCLUDE MAINTENANCE AND WATERING OF ALL CONTRACT PLANTING AREAS UNTIL CERTIFICATION OF ACCEPTANCE BY THE OWNER.
- B. PROTECTION OF EXISTING STRUCTURES
1. ALL EXISTING BUILDINGS, WALKS, WALLS, PAVING, PIPING, OTHER SITE CONSTRUCTION ITEMS, AND PLANTING ALREADY COMPLETED OR ESTABLISHED AND DESIGNATED TO REMAIN SHALL BE PROTECTED FROM DAMAGE BY THE CONTRACTOR UNLESS OTHERWISE SPECIFIED. ALL DAMAGE RESULTING FROM NEGLIGENCE SHALL BE REPAIRED OR REPLACED TO THE SATISFACTION OF THE OWNER, AT NO COST TO THE OWNER.
 2. THE CONTRACTOR SHALL BE RESPONSIBLE FOR MAINTAINING ALL NECESSARY BMP DEVICES ACCORDING TO ALL REGULATORY AGENCY'S STANDARDS THROUGHOUT THE DURATION OF ALL CONSTRUCTION ACTIVITIES.
 3. THE CONTRACTOR SHALL SUBMIT A DETAILED PROJECT SPECIFIC WORK ZONE TRAFFIC CONTROL PLAN UNLESS THE WORK REQUIRES NOTHING MORE THAN A DIRECT APPLICATION OF DOT DESIGN STANDARDS, INDEX 600. IF A DIRECT APPLICATION OF INDEX 600 IS PROPOSED, THE CONTRACTOR SHALL SUBMIT IN WRITING A STATEMENT INDICATING THE STANDARD INDEX AND PAGE NUMBER NO LESS THAN 10 BUSINESS DAYS PRIOR TO START OF CONSTRUCTION. WHEN A DIRECT APPLICATION OF DOT STANDARD INDEX 600 IS NOT ACCEPTABLE A PROJECT SPECIFIC WORK ZONE TRAFFIC CONTROL PLAN SHALL BE PREPARED BY A PROFESSIONAL ENGINEER WHO HAS SUCCESSFULLY COMPLETED ADVANCED TRAINING IN MAINTENANCE OF TRAFFIC, AS DEFINED BY DOT FOR APPROVAL BY THE COUNTY ENGINEER'S REPRESENTATIVE.
 4. THE CONTRACTOR SHALL BE RESPONSIBLE FOR LOCATING ALL UTILITIES, WHETHER PUBLIC OR PRIVATE, PRIOR TO EXCAVATION. THE INFORMATION AND DATA SHOWN WITH RESPECT TO EXISTING UNDERGROUND FACILITIES AT OR CONTIGUOUS TO THE SITE IS APPROXIMATE AND BASED ON INFORMATION FURNISHED BY THE OWNER OF SUCH UNDERGROUND FACILITIES OR ON PHYSICAL APPURTENANCES OBSERVED IN THE FIELD. THE OWNER AND DESIGN PROFESSIONAL SHALL NOT BE RESPONSIBLE FOR THE ACCURACY AND COMPLETENESS OF ANY SUCH INFORMATION OR DATA. THE CONTRACTOR SHALL HAVE FULL RESPONSIBILITY FOR REVIEWING AND CHECKING ALL SUCH INFORMATION AND DATA. LOCATING ALL UNDERGROUND FACILITIES DURING CONSTRUCTION; THE SAFETY AND PROTECTION THEREOF; REPAIRING ANY DAMAGE THERE TO RESULTING FROM THE WORK. THE COST OF ALL WILL BE CONSIDERED AS HAVING BEEN INCLUDED IN THE CONTRACT PRICE. THE CONTRACTOR SHALL NOTIFY ANY AFFECTED UTILITY COMPANIES OR AGENCIES IN WRITING AT LEAST 48 HOURS PRIOR TO BEGINNING CONSTRUCTION.

C. PROTECTION OF EXISTING PLANT MATERIALS

1. THE CONTRACTOR SHALL BE RESPONSIBLE FOR ALL UNAUTHORIZED CUTTING OR DAMAGE TO TREES AND SHRUBS EXISTING OR OTHERWISE CAUSED BY CARELESS EQUIPMENT OPERATION, MATERIAL STOCKPILING, ETC.. THIS SHALL INCLUDE COMPACTION BY DRIVING OR PARKING INSIDE THE DRIP-LINE AND SPILLING OIL, GASOLINE, OR OTHER DELETERIOUS MATERIALS WITHIN THE DRIP-LINE. NO MATERIALS SHALL BE BURNED ON SITE. EXISTING TREES KILLED OR DAMAGED SO THAT THEY ARE MISSHAPEN AND/OR UNSIGHTLY SHALL BE REPLACED AT THE COST TO THE CONTRACTOR OF THREE HUNDRED DOLLARS (\$300) PER CALIPER INCH ON AN ESCALATING SCALE WHICH ADDS AN ADDITIONAL TWENTY (20) PERCENT PER INCH OVER FOUR (4) INCHES CALIPER AS FIXED AND AGREED LIQUIDATED DAMAGES. CALIPER SHALL BE MEASURED SIX (6) INCHES ABOVE GROUND LEVEL FOR TREES UP TO AND INCLUDING FOUR (4) INCHES IN CALIPER AND TWELVE (12) INCHES ABOVE GROUND LEVEL FOR TREES OVER FOUR (4) INCHES IN CALIPER.
2. SEE TREE MITIGATION PLAN AND NOTES, IF APPLICABLE.

D. MATERIALS

1. GENERAL

MATERIAL SAMPLES LISTED BELOW SHALL BE SUBMITTED FOR APPROVAL, ON SITE OR AS DETERMINED BY THE OWNER. UPON APPROVAL, DELIVERY OF MATERIALS MAY COMMENCE.

MATERIAL	SAMPLE SIZE
MULCH	ONE (1) CUBIC FOOT
TOPSOIL MIX	ONE (1) CUBIC FOOT
PLANTS	ONE (1) OF EACH VARIETY (OR TAGGED IN NURSERY)

2. PLANT MATERIALS

- a. PLANT SPECIES AND SIZE SHALL CONFORM TO THOSE INDICATED ON THE DRAWINGS. ALL PLANTS SHALL BE DETERMINED BY THE STATE DIVISION OF PLANT INDUSTRY. ALL PLANTS SHALL BE HEALTHY, VIGOROUS, SOUND, WELL-BRANCHED, AND FREE OF DISEASE AND INSECTS, INSECT EGGS AND LARVAE AND SHALL HAVE ADEQUATE ROOT SYSTEMS. TREES FOR PLANTING IN ROWS SHALL BE UNIFORM IN SIZE AND SHAPE. ALL MATERIALS SHALL BE SUBJECT TO APPROVAL BY THE OWNER, WHERE ANY REQUIREMENTS ARE OMITTED FROM THE PLANT LIST, THE PLANTS FURNISHED SHALL BE NORMAL FOR THE VARIETY. PLANTS SHALL BE PRUNED PRIOR TO DELIVERY ONLY WITH APPROVAL FROM OWNER OR OWNER'S REPRESENTATIVE. NO SUBSTITUTIONS SHALL BE MADE WITHOUT WRITTEN PERMISSION FROM THE OWNER'S REPRESENTATIVE.
- b. MEASUREMENTS: THE HEIGHT AND/OR WIDTH OF TREES SHALL BE MEASURED FROM THE GROUND OR ACROSS THE NORMAL SPREAD OF BRANCHES WITH THE PLANTS IN THEIR NORMAL POSITION. THIS MEASUREMENT SHALL NOT INCLUDE THE IMMEDIATE TERMINAL GROWTH. PLANTS LARGER IN SIZE THAN THOSE SPECIFIED IN THE PLANT LIST MAY BE USED IF APPROVED BY THE OWNER. IF THE USE OF LARGER PLANTS IS APPROVED, THE BALL OF EARTH OR SPREAD OF ROOTS SHALL BE INCREASED IN PROPORTION TO THE SIZE OF THE PLANT.
- c. INSPECTION: PLANTS SHALL BE SUBJECT TO INSPECTION AND APPROVAL AT THE PLACE OF GROWTH, OR UPON DELIVERY TO THE SITE, AS DETERMINED BY THE OWNER. FOR QUALITY, SIZE, AND VARIETY. SUCH APPROVAL SHALL NOT IMPAIR THE RIGHT OF INSPECTION AND REJECTION AT THE SITE DURING PROGRESS OF THE WORK OR AFTER COMPLETION FOR SIZE AND CONDITION OF ROOT BALLS OR ROOTS, LATENT DEFECTS OR INJURIES. REJECTED PLANTS SHALL BE REMOVED IMMEDIATELY FROM THE SITE, NOTICE REQUESTING INSPECTION SHALL BE SUBMITTED IN WRITING BY THE CONTRACTOR AT LATEST ONE (1) WEEK PRIOR TO ANTICIPATED DATE.

E. SOIL MIXTURE (PLANTING MEDIUM, PLANTING MIX, TOPSOIL MIX)

1. CONTRACTOR SHALL TEST EXISTING SOIL AND AMEND AS NECESSARY IN ACCORDANCE WITH THE GUIDELINES BELOW:
2. SOIL MIXTURE (PLANTING MEDIUM FOR PLANT PITS) SHALL CONSIST OF TWO PARTS OF TOPSOIL AND ONE PART SAND, AS DESCRIBED BELOW. CONTRACTOR TO SUBMIT SAMPLES AND PH TESTING RESULTS OF SOIL MIXTURE FOR OWNER'S REPRESENTATIVE APPROVAL PRIOR TO PLANT INSTALLATION OPERATIONS COMMENCE.
 - a. TOPSOIL FOR USE IN PREPARING SOIL MIXTURE FOR BACKFILLING PLANT PITS SHALL BE FERTILE, FRIABLE, AND OF A LOAMY CHARACTER. REASONABLY FREE OF SUBSOIL, CLAY LUMPS, BRUSH WEEDS AND OTHER LITTER; FREE OF ROOTS, STUMPS, STONES LARGER THAN 2" IN ANY DIRECTION, AND OTHER EXTRANEIOUS OR TOXIC MATTER HARMFUL TO PLANT GROWTH. IT SHALL CONTAIN THREE (3) TO FIVE (5) PERCENT DECOMPOSED ORGANIC MATTER AND HAVE A PH BETWEEN 5.5 AND 7.0.
 - b. SAND SHALL BE COARSE, CLEAN, WELL-DRAINING, NATIVE SAND.
3. TREES SHALL BE PLANTED IN THE EXISTING NATIVE SOIL ON SITE, UNLESS DETERMINED TO BE UNSUITABLE - AT WHICH POINT THE CONTRACTOR SHALL CONTACT OWNER'S REPRESENTATIVE TO DISCUSS ALTERNATE RECOMMENDATION PRIOR TO PLANTING.

F. WATER

1. WATER NECESSARY FOR PLANTING AND MAINTENANCE SHALL BE OF SATISFACTORY QUALITY TO SUSTAIN ADEQUATE PLANT GROWTH AND SHALL NOT CONTAIN HARMFUL, NATURAL OR MAN-MADE ELEMENTS DETRIMENTAL TO PLANTS. WATER MEETING THE ABOVE STANDARD SHALL BE OBTAINED ON THE SITE FROM THE OWNER, IF AVAILABLE, AND THE CONTRACTOR SHALL BE RESPONSIBLE TO MAKE ARRANGEMENTS FOR ITS USE BY HIS TANKS, HOSES, SPRINKLERS, ETC.. IF SUCH WATER IS NOT AVAILABLE AT THE SITE, THE CONTRACTOR SHALL PROVIDE SATISFACTORY WATER FROM SOURCES OFF THE SITE AT NO ADDITIONAL COST TO THE OWNER.

* WATERING/IRRIGATION RESTRICTIONS MAY APPLY - REFER TO PROPERTY'S JURISDICTIONAL AUTHORITY.

G. FERTILIZER

CONTRACTOR SHALL PROVIDE FERTILIZER APPLICATION SCHEDULE TO OWNER, AS APPLICABLE TO SOIL TYPE, PLANT INSTALLATION TYPE, AND SITE'S PROPOSED USE. SUGGESTED FERTILIZER TYPES SHALL BE ORGANIC OR OTHERWISE NATURALLY-DERIVED.

* FERTILIZER RESTRICTIONS MAY APPLY - REFER TO PROPERTY'S JURISDICTIONAL AUTHORITY.

H. MULCH

1. MULCH MATERIAL SHALL BE MOISTENED AT THE TIME OF APPLICATION TO PREVENT WIND DISPLACEMENT, AND APPLIED AT A DEPTH OF THREE (3) INCHES. CLEAR MULCH FROM EACH PLANTS CROWN (BASE), MULCH SHALL BE FLORIMULCH®, EUCALYPTUS MULCH, OR SIMILAR SUSTAINABLY HARVESTED MULCH UNLESS SPECIFIED OTHERWISE.
2. PROVIDE A THREE (3) INCH MINIMUM LAYER OF SPECIFIED MULCH OVER THE ENTIRE AREA OF EACH SHRUB BED, GROUND COVER, VINE BED, AND TREE PIT (Ø MINIMUM) PLANTED UNDER THIS CONTRACT.

I. DIGGING AND HANDLING

1. PROTECT ROOTS OR ROOT BALLS OF PLANTS AT ALL TIMES FROM SUN, DRYING WINDS, WATER AND FREEZING, AS NECESSARY UNTIL PLANTING. PLANT MATERIALS SHALL BE ADEQUATELY PACKED TO PREVENT DAMAGE DURING TRANSIT. TREES TRANSPORTED MORE THAN TEN (10) MILES OR WHICH ARE NOT PLANTED WITHIN THREE (3) DAYS OF DELIVERY TO THE SITE SHALL BE SPRAYED WITH AN ANTITRANSPIRANT PRODUCT ("WILT-PRUF" OR EQUAL) TO MINIMIZE TRANSPIRATIONAL WATER LOSS.
2. BALLED AND BURLAPPED (B&B), AND FIELD GROWN (FG) PLANTS SHALL BE DUG WITH FIRM, NATURAL BALLS OF SOIL OF SUFFICIENT SIZE TO ENCOMPASS THE FIBROUS AND FEEDING ROOTS OF THE PLANTS. NO PLANTS MOVED WITH A ROOT BALL SHALL BE PLANTED IF THE BALL IS

CRACKED OR BROKEN. PLANTS SHALL NOT BE HANDLED BY STEMS.

3. PLANTS MARKED "BR" IN THE PLANT LIST SHALL BE DUG WITH BARE ROOTS. CARE SHALL BE EXERCISED THAT THE ROOTS DO NOT DRY OUT DURING TRANSPORTATION AND PRIOR TO PLANTING.
 4. PROTECTION OF PALMS: ONLY A MINIMUM OF FRONDS SHALL BE REMOVED FROM THE CROWN OF THE PALM TREES TO FACILITATE MOVING AND HANDLING. CLEAR TRUNK (CT) SHALL BE AS SPECIFIED AFTER THE MINIMUM OF FRONDS HAVE BEEN REMOVED. ALL PALMS SHALL BE BRACED PER PALM PLANTING DETAIL.
 5. EXCAVATION OF TREE PITS SHALL BE PERFORMED USING EXTREME CARE TO AVOID DAMAGE TO SURFACE AND SUBSURFACE ELEMENTS SUCH AS UTILITIES OR HARDSCAPE ELEMENTS, FOOTERS AND PREPARED SUB-BASES.
- J. CONTAINER GROWN STOCK
1. ALL CONTAINER GROWN MATERIAL SHALL BE HEALTHY, VIGOROUS, WELL-ROOTED PLANTS ESTABLISHED IN THE CONTAINER IN WHICH THEY ARE SOLD. THE PLANTS SHALL HAVE TOPS WHICH ARE OF GOOD QUALITY AND ARE IN A HEALTHY GROWING CONDITION.
 2. AN ESTABLISHED CONTAINER GROWN PLANT SHALL BE TRANSPLANTED INTO A CONTAINER AND GROWN IN THAT CONTAINER SUFFICIENTLY LONG ENOUGH FOR THE NEW FIBROUS ROOTS TO HAVE DEVELOPED SO THAT THE ROOT MASS WILL RETAIN ITS SHAPE AND HOLD TOGETHER WHEN REMOVED FROM THE CONTAINER. CONTAINER GROWN STOCK SHALL NOT BE HANDLED BY THEIR STEMS.
 3. ROOT BOUND PLANTS ARE NOT ACCEPTABLE AND WILL BE REJECTED.
 4. RPG= "ROOTS PLUS GROWER" CONTAINER PRODUCTS SHALL BE USED WHERE SPECIFIED.

K. COLLECTED STOCK

WHEN THE USE OF COLLECTED STOCK IS PERMITTED AS INDICATED BY THE OWNER OR OWNER'S REPRESENTATIVE, THE MINIMUM SIZES OF ROOTBALLS SHALL BE EQUAL TO THAT SPECIFIED FOR THE NEXT LARGER SIZE OF NURSERY GROWN STOCK OF THE SAME VARIETY.

L. NATIVE STOCK

PLANTS COLLECTED FROM WILD OR NATIVE STANDS SHALL BE CONSIDERED NURSERY GROWN WHEN THEY HAVE BEEN SUCCESSFULLY RE-ESTABLISHED IN A NURSERY ROW AND GROWN UNDER REGULAR NURSERY CULTURAL PRACTICES FOR A MINIMUM OF TWO (2) GROWING SEASONS AND HAVE ATTAINED ADEQUATE ROOT AND TOP GROWTH TO INDICATE FULL RECOVERY FROM TRANSPLANTING INTO THE NURSERY ROW.

M. MATERIALS LIST

QUANTITIES NECESSARY TO COMPLETE THE WORK ON THE DRAWINGS SHALL BE FURNISHED BY THE CONTRACTOR. QUANTITY ESTIMATES HAVE BEEN MADE CAREFULLY, BUT THE LANDSCAPE ARCHITECT OR OWNER ASSUMES NO LIABILITY FOR OMISSIONS OR ERRORS. SHOULD A DISCREPANCY OCCUR BETWEEN THE PLANS AND THE PLANT LIST QUANTITY, THE OWNER'S REPRESENTATIVE SHALL BE NOTIFIED FOR CLARIFICATION PRIOR TO BIDDING OR INSTALLATION. ALL DIMENSIONS AND/OR SIZES SPECIFIED SHALL BE THE MINIMUM ACCEPTABLE SIZE.

N. FINE GRADING

1. FINE GRADING UNDER THIS CONTRACT SHALL CONSIST OF FINAL FINISHED GRADING OF LAWN AND PLANTING AREAS THAT HAVE BEEN ROUGH GRADED BY OTHERS. BERMING AS SHOWN ON THE DRAWINGS SHALL BE THE RESPONSIBILITY OF THE CONTRACTOR, UNLESS OTHERWISE NOTED.
2. THE CONTRACTOR SHALL FINE GRADE THE LAWN AND PLANTING AREAS TO BRING THE ROUGH GRADE UP TO FINAL FINISHED GRADE ALLOWING FOR THICKNESS OF SOD AND/OR MULCH DEPTH. CONTRACTOR SHALL FINE GRADE BY HAND AND/OR WITH ALL EQUIPMENT NECESSARY INCLUDING A GRADING TRACTOR WITH FRONT-END LOADER FOR TRANSPORTING SOIL WITHIN THE SITE.
3. ALL PLANTING AREAS SHALL BE GRADED AND MAINTAINED FOR POSITIVE DRAINAGE TO SURFACE/SUBSURFACE STORM DRAIN SYSTEMS. AREAS ADJACENT TO BUILDINGS SHALL SLOPE AWAY FROM THE BUILDINGS. REFER TO CIVIL ENGINEER'S PLANS FOR FINAL GRADES, IF APPLICABLE.

O. PLANTING PROCEDURES

1. CLEANING UP BEFORE COMMENCING WORK: THE CONTRACTOR SHALL CLEAN WORK AND SURROUNDING AREAS OF ALL RUBBISH OR OBJECTIONABLE MATTER DAILY. ALL MORTAR, CEMENT, AND TOXIC MATERIAL SHALL BE REMOVED FROM THE SURFACE OF ALL PLANT BEDS. THESE MATERIALS SHALL NOT BE MIXED WITH THE SOIL. SHOULD THE CONTRACTOR FIND SUCH SOIL CONDITIONS BENEATH THE SOIL WHICH WILL IN ANY WAY ADVERSELY AFFECT THE PLANT GROWTH, HE SHALL IMMEDIATELY CALL IT TO THE ATTENTION OF THE OWNER'S REPRESENTATIVE. FAILURE TO DO SO BEFORE PLANTING SHALL MAKE THE CORRECTIVE MEASURES THE RESPONSIBILITY OF THE CONTRACTOR.
2. VERIFY LOCATIONS OF ALL UTILITIES, CONDUITS, SUPPLY LINES AND CABLES, INCLUDING BUT NOT LIMITED TO: ELECTRIC, GAS (LINES AND TANKS), WATER, SANITARY SEWER, STORMWATER SYSTEMS, CABLE, AND TELEPHONE. PROPERLY MAINTAIN AND PROTECT EXISTING UTILITIES. CALL STATE OFFICIAL (811) TO LOCATE UTILITIES AT LEAST 48 HOURS PRIOR TO CONSTRUCTION.
3. SUBGRADE EXCAVATION: CONTRACTOR IS RESPONSIBLE TO REMOVE ALL EXISTING AND IMPORTED LIMEROCK AND LIMEROCK SUB-BASE FROM ALL LANDSCAPE PLANTING AREAS TO A MINIMUM DEPTH OF 36" OR TO NATIVE SOIL. CONTRACTOR IS RESPONSIBLE TO BACKFILL THESE PLANTING AREAS TO ROUGH FINISHED GRADE WITH CLEAN TOPSOIL FROM AN ON-SITE SOURCE OR AN IMPORTED SOURCE. IF LIMEROCK OR OTHER ADVERSE CONDITIONS OCCUR IN PLANTED AREAS AFTER 36" DEEP EXCAVATION BY THE CONTRACTOR, AND POSITIVE DRAINAGE CAN NOT BE ACHIEVED, CONTRACTOR SHALL UTILIZE POOR DRAINAGE CONDITION PLANTING DETAIL.
4. FURNISH NURSERY'S CERTIFICATE OF COMPLIANCE WITH ALL REQUIREMENTS AS SPECIFIED HEREIN. INSPECT AND SELECT PLANT MATERIALS BEFORE PLANTS ARE DUG AT NURSERY OR GROWING SITE.
5. COMPLY WITH APPLICABLE FEDERAL, STATE, COUNTY, AND LOCAL REGULATIONS GOVERNING LANDSCAPE MATERIALS AND WORK. CONFORM TO ACCEPTED HORTICULTURAL PRACTICES AS USED IN THE TRADE. UPON ARRIVAL AT THE SITE, PLANTS SHALL BE THOROUGHLY WATERED AND PROPERLY MAINTAINED UNTIL PLANTED. PLANTS STORED ON SITE SHALL NOT REMAIN UNPLANTED OR APPROPRIATELY HEALED IN FOR A PERIOD EXCEEDING TWENTY-FOUR (24) HOURS. AT ALL TIMES WORKMANLIKE METHODS CUSTOMARY IN GOOD HORTICULTURAL PRACTICES SHALL BE EXERCISED.
6. THE WORK SHALL BE COORDINATED WITH OTHER TRADES TO PREVENT CONFLICTS. COORDINATE PLANTING WITH IRRIGATION WORK TO ASSURE AVAILABILITY OF WATER AND PROPER LOCATION OF IRRIGATION APPURTENANCES AND PLANTS.
7. ALL PLANTING PITS SHALL BE EXCAVATED TO SIZE AND DEPTH IN ACCORDANCE WITH THE USA STANDARD FOR NURSERY STOCK 260.1, UNLESS SHOWN OTHERWISE ON THE DRAWINGS, AND BACK FILLED WITH THE PREPARED PLANTING SOIL MIXTURE AS SPECIFIED IN SECTION E. TEST ALL TREE PITS WITH WATER BEFORE PLANTING TO ASSURE PROPER DRAINAGE PERCOLATION IS AVAILABLE. NO ALLOWANCE WILL BE MADE FOR LOST PLANTS DUE TO IMPROPER DRAINAGE. IF POOR DRAINAGE EXISTS, UTILIZE "POOR DRAINAGE CONDITION" PLANTING DETAIL. TREES SHALL BE SET PLUMB AND HELD IN POSITION UNTIL THE PLANTING MIXTURE HAS BEEN FLUSHED INTO PLACE WITH A SLOW, FULL HOSE STREAM. ALL PLANTING SHALL BE PERFORMED BY PERSONNEL FAMILIAR WITH PLANTING PROCEDURES AND UNDER THE SUPERVISION OF A QUALIFIED LANDSCAPE FOREMAN. PROPER "JETTING IN" SHALL BE ASSURED TO ELIMINATE AIR POCKETS AROUND THE ROOTS. "JET STICK" OR EQUAL IS RECOMMENDED.
8. TAKE ALL NECESSARY PRECAUTIONS TO AVOID DAMAGE TO BUILDINGS AND BUILDING STRUCTURES WHILE INSTALLING TREES.
9. SOIL MIXTURE SHALL BE AS SPECIFIED IN SECTION E OF THESE SPECIFICATIONS.
10. TREES AND SHRUBS SHALL BE SET STRAIGHT AT AN ELEVATION THAT, AFTER SETTLEMENT, THE PLANT CROWN WILL STAND ONE (1) TO TWO (2) INCHES ABOVE GRADE. EACH PLANT SHALL BE SET IN THE CENTER OF THE PIT. PLANTING SOIL MIXTURE SHALL BE BACK FILLED, THOROUGHLY TAMPED AROUND THE BALL, AND SETTLED BY WATER (AFTER TAMPING).
11. AMPED PINE AND OAK PLANT PITS WITH ECTOMYCORRHIZAL SOIL APPLICATION PER MANUFACTURER'S RECOMMENDATION. ALL OTHER PLANT PITS SHALL BE AMENDED WITH ENDOMYCORRHIZAL SOIL APPLICATION PER MANUFACTURER'S RECOMMENDATION. PROVIDE PRODUCT INFORMATION SUBMITTAL PRIOR TO INOCULATION.
12. FILL HOLE WITH SOIL MIXTURE, MAKING CERTAIN ALL SOIL IS SATURATED. TO DO THIS, FILL HOLE WITH WATER AND ALLOW TO SOAK MINIMUM TWENTY (20) MINUTES, STIRRING IF NECESSARY TO GET SOIL THOROUGHLY WET. PACK LIGHTLY WITH FEET. ADD MORE WET SOIL MIXTURE. DO NOT COVER TOP OF BALL WITH SOIL MIXTURE. ALL BURLAP, ROPE, WIRES, BASKETS, ETC., SHALL BE REMOVED FROM THE SIDES AND TOPS OF BALLS, BUT NO BURLAP SHALL BE PULLED FROM UNDERNEATH.
13. TREES SHALL BE PRUNED, AT THE DIRECTION OF THE OWNER OR OWNER'S REPRESENTATIVE, TO PRESERVE THE NATURAL CHARACTER OF THE PLANT. ALL SOFT WOOD OR SUCKER GROWTH AND ALL BROKEN OR BADLY DAMAGED BRANCHES SHALL BE REMOVED WITH A CLEAN CUT. ALL PRUNING TO BE PERFORMED BY CERTIFIED ARBORIST, IN ACCORDANCE WITH ANSI A-300.
14. SHRUBS AND GROUND COVER PLANTS SHALL BE EVENLY SPACED IN ACCORDANCE WITH THE DRAWINGS AND AS INDICATED ON THE PLANT LIST. MATERIALS INSTALLED SHALL MEET MINIMUM SPECIMEN REQUIREMENTS OR QUANTITIES SHOWN ON PLANS, WHICHEVER IS GREATER. CULTIVATE ALL PLANTING AREAS TO A MINIMUM DEPTH OF 6". REMOVE AND DISPOSE ALL DEBRIS. MIX TOP 4" OF THE PLANTING SOIL MIXTURE AS SPECIFIED IN SECTION E. THOROUGHLY WATER ALL PLANTS AFTER INSTALLATION.
15. TREE GUYING AND BRACING SHALL BE INSTALLED BY THE CONTRACTOR IN ACCORDANCE WITH THE PLANS TO INSURE STABILITY AND MAINTAIN TREES IN AN UPRIGHT POSITION. IF THE CONTRACTOR AND OWNER DECIDE TO WAIVE THE TREE GUYING AND BRACING, THE OWNER SHALL NOTIFY THE PROJECT LANDSCAPE ARCHITECT IN WRITING AND AGREE TO INDEMNIFY AND HOLD HARMLESS THE PROJECT LANDSCAPE ARCHITECT IN THE EVENT UNSUPPORTED TREES PLANTED UNDER THIS CONTRACT FALL AND DAMAGE PERSON OR PROPERTY.
16. ALL PLANT BEDS SHALL BE KEPT FREE OF NOXIOUS WEEDS UNTIL FINAL ACCEPTANCE OF WORK. IF DIRECTED BY THE OWNER, "ROUND-UP" SHALL BE APPLIED FOR WEED CONTROL BY QUALIFIED PERSONNEL TO ALL PLANTING AREAS IN SPOT APPLICATIONS PER MANUFACTURER'S PRECAUTIONS AND SPECIFICATIONS. PRIOR TO FINAL INSPECTION, TREAT ALL PLANTING BEDS WITH AN APPROVED PRE-EMERGENT HERBICIDE AT AN APPLICATION RATE RECOMMENDED BY THE MANUFACTURER (AS ALLOWED BY JURISDICTIONAL AUTHORITY).

P. LAWN SODDING

1. THE WORK CONSISTS OF LAWN BED PREPARATION, SOIL PREPARATION, AND SODDING COMPLETE, IN STRICT ACCORDANCE WITH THE SPECIFICATIONS AND THE APPLICABLE DRAWINGS TO PRODUCE A TURF GRASS LAWN ACCEPTABLE TO THE OWNER.

2. ALL AREAS THAT ARE TO BE SODDED SHALL BE CLEARED OF ANY ROUGH GRASS, WEEDS, AND DEBRIS BY MEANS OF A SOD CUTTER TO A DEPTH OF THREE (3) INCHES, AND THE GROUND BROUGHT TO AN EVEN GRADE. THE ENTIRE SURFACE SHALL BE ROLLED WITH A ROLLER WEIGHING NOT MORE THAN ONE HUNDRED (100) POUNDS PER FOOT OF WIDTH. DURING THE ROLLING, ALL DEPRESSIONS CAUSED BY SETTLEMENT SHALL BE FILLED WITH ADDITIONAL SOIL, AND THE SURFACE SHALL BE REGRADED AND ROLLED UNTIL PRESENTING A SMOOTH AND EVEN FINISH TO THE REQUIRED GRADE.
3. PREPARE LOOSE BED FOUR (4) INCHES DEEP. HAND RAKE UNTIL ALL BUMPS AND DEPRESSIONS ARE REMOVED. WET PREPARED AREA THOROUGHLY.
4. SODDING
 - a. THE CONTRACTOR SHALL SOD ALL AREAS THAT ARE NOT PAVED OR PLANTED AS DESIGNATED ON THE DRAWINGS WITHIN THE CONTRACT LIMITS, UNLESS SPECIFICALLY NOTED OTHERWISE.
 - b. THE SOD SHALL BE CERTIFIED TO MEET STATE REQUIREMENTS & SPECIFICATIONS, ABSOLUTELY TRUE TO VARIETAL TYPE, AND FREE FROM WEEDS, FUNGUS, INSECTS AND DISEASE OF ANY KIND.
 - c. SOD PANELS SHALL BE LAID TIGHTLY TOGETHER SO AS TO MAKE A SOLID SODDED LAWN AREA. SOD SHALL BE LAID UNIFORMLY AGAINST THE EDGES OF ALL CURBS AND OTHER HARDSCAPE ELEMENTS, PAVED AND PLANTED AREAS. ADJACENT TO BUILDINGS, A 24 INCH STONE MULCH STRIP SHALL BE PROVIDED. IMMEDIATELY FOLLOWING SOD LAYING, THE LAWN AREAS SHALL BE ROLLED WITH A LAWN ROLLER CUSTOMARILY USED FOR SUCH PURPOSES, AND THEN THOROUGHLY IRRIGATED. IF, IN THE OPINION OF THE OWNER, TOP-DRESSING IS NECESSARY AFTER ROLLING TO FILL THE VOIDS BETWEEN THE SOD PANELS AND TO EVEN OUT INCONSISTENCIES IN THE SOD, CLEAN SAND, AS APPROVED BY THE OWNER'S REPRESENTATIVE, SHALL BE UNIFORMLY SPREAD OVER THE ENTIRE SURFACE OF THE SOD AND THOROUGHLY WATERED IN. FERTILIZER INSTALLED SOD AS ALLOWED BY PROPERTY'S JURISDICTIONAL AUTHORITY.
5. DURING DELIVERY, PRIOR TO, AND DURING THE PLANTING OF THE LAWN AREAS, THE SOD PANELS SHALL AT ALL TIMES BE PROTECTED FROM EXCESSIVE DRYING AND UNNECESSARY EXPOSURE OF THE ROOTS TO THE SUN. ALL SOD SHALL BE STACKED SO AS NOT TO BE DAMAGED BY SWEATING OR EXCESSIVE HEAT AND MOISTURE.
6. LAWN MAINTENANCE
 - a. WITHIN THE CONTRACT LIMITS, THE CONTRACTOR SHALL PRODUCE A DENSE, WELL ESTABLISHED LAWN. THE CONTRACTOR SHALL BE RESPONSIBLE FOR THE REPAIR AND RE-SODDING OF ALL ERODED, SUNKEN OR BARE SPOTS (LARGER THAN 12"X12") UNTIL CERTIFICATION OF ACCEPTANCE BY THE OWNER'S REPRESENTATIVE. REPAIRED SODDING SHALL BE ACCOMPLISHED AS IN THE ORIGINAL WORK (INCLUDING REGRADEING IF NECESSARY).
 - b. CONTRACTOR RESPONSIBLE FOR ESTABLISHING AND MAINTAINING SOD/LAWN UNTIL ACCEPTANCE BY THE OWNER'S REPRESENTATIVE. PRIOR TO AND UPON ACCEPTANCE, CONTRACTOR TO PROVIDE WATERING/IRRIGATION SCHEDULE TO OWNER. OBSERVE ALL APPLICABLE WATERING RESTRICTIONS AS SET FORTH BY THE PROPERTY'S JURISDICTIONAL AUTHORITY.

UPON COMPLETION OF ALL PLANTING WORK AND BEFORE FINAL ACCEPTANCE, THE CONTRACTOR SHALL REMOVE ALL MATERIAL, EQUIPMENT, AND DEBRIS RESULTING FROM HIS WORK. ALL PAVED AREAS SHALL BE CLEANED AND THE SITE LEFT IN A NEAT AND ACCEPTABLE CONDITION AS APPROVED BY THE OWNER'S REPRESENTATIVE.

R. PLANT MATERIAL MAINTENANCE

ALL PLANTS AND PLANTING INCLUDED UNDER THIS CONTRACT SHALL BE MAINTAINED BY WATERING, CULTIVATING, SPRAYING, AND ALL OTHER OPERATIONS (SUCH AS RE-STAKING OR REPAIRING GUY SUPPORTS) NECESSARY TO INSURE A HEALTHY PLANT CONDITION BY THE CONTRACTOR UNTIL CERTIFICATION OF ACCEPTANCE BY THE OWNER'S REPRESENTATIVE.

S. FINAL INSPECTION AND ACCEPTANCE OF WORK

FINAL INSPECTION AT THE END OF THE WARRANTY PERIOD SHALL BE ON PLANTING, CONSTRUCTION AND ALL OTHER INCIDENTAL WORK PERTAINING TO THIS CONTRACT. ANY REPLACEMENT AT THIS TIME SHALL BE SUBJECT TO THE SAME ONE (1) YEAR WARRANTY (OR AS SPECIFIED BY THE LANDSCAPE ARCHITECT OR OWNER IN WRITING) BEGINNING WITH THE TIME OF REPLACEMENT AND ENDING WITH THE SAME INSPECTION AND ACCEPTANCE HEREIN DESCRIBED.

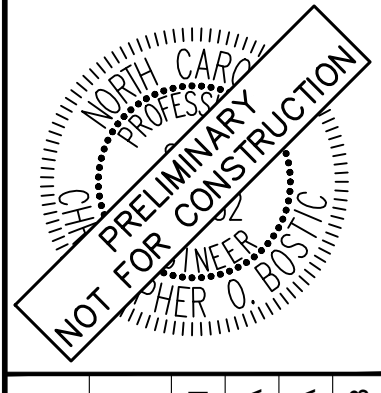
T. WARRANTY

1. THE LIFE AND SATISFACTORY CONDITION OF ALL PLANT MATERIAL INSTALLED (INCLUDING SOD) BY THE LANDSCAPE CONTRACTOR SHALL BE WARRANTED BY THE CONTRACTOR FOR A MINIMUM OF ONE (1) CALENDAR YEAR COMMENCING AT THE TIME OF CERTIFICATION OF ACCEPTANCE BY THE OWNER'S REPRESENTATIVE.
2. ANY PLANT NOT FOUND IN A HEALTHY GROWING CONDITION AT THE END OF THE WARRANTY PERIOD SHALL BE REMOVED FROM THE SITE AND REPLACED AS SOON AS WEATHER CONDITIONS PERMIT. ALL REPLACEMENTS SHALL BE PLANTS OF THE SAME KIND AND SIZE AS SPECIFIED IN THE PLANT LIST. THEY SHALL BE FURNISHED PLANTED AND MULCHED AS SPECIFIED AT NO ADDITIONAL COST TO THE OWNER.
3. IN THE EVENT THE OWNER DOES NOT CONTRACT WITH THE CONTRACTOR FOR LANDSCAPE AND IRRIGATION MAINTENANCE, THE CONTRACTOR SHOULD VISIT THE PROJECT SITE PERIODICALLY DURING THE ONE (1) YEAR WARRANTY PERIOD TO EVALUATE MAINTENANCE PROCEDURES BEING PERFORMED BY THE OWNER. CONTRACTOR SHALL NOTIFY THE OWNER IN WRITING OF MAINTENANCE PROCEDURES OR CONDITIONS WHICH THREATEN VIGOROUS AND HEALTHY PLANT GROWTH. SITE VISITS SHALL BE CONDUCTED A MINIMUM OF ONCE PER MONTH FOR A PERIOD OF TWELVE (12) MONTHS FROM THE DATE OF ACCEPTANCE.

NO.	REVISIONS	DATE
1		
2		
3		
4		
5		
6		
7		

Kimley»Horn

© 2023 KIMLEY-HORN AND ASSOCIATES, INC.
 #F-0102 WWW.KIMLEY-HORN.COM PHONE: 919-677-2000 FAX: 919-677-2050
 421 FAYETTEVILLE STREET, SUITE 600, RALEIGH, NC 27601



KHA PROJECT	SCALE	AS SHOWN
016485000	DESIGNED BY	JAA
DATE	DRAWN BY	JAA
10/31/2023	CHECKED BY	COB

LANDSCAPE NOTES

SCOOTER'S ROLESVILLE
 PREPARED FOR
S&S JAVA ENTERPRISES
 ROLESVILLE, NC



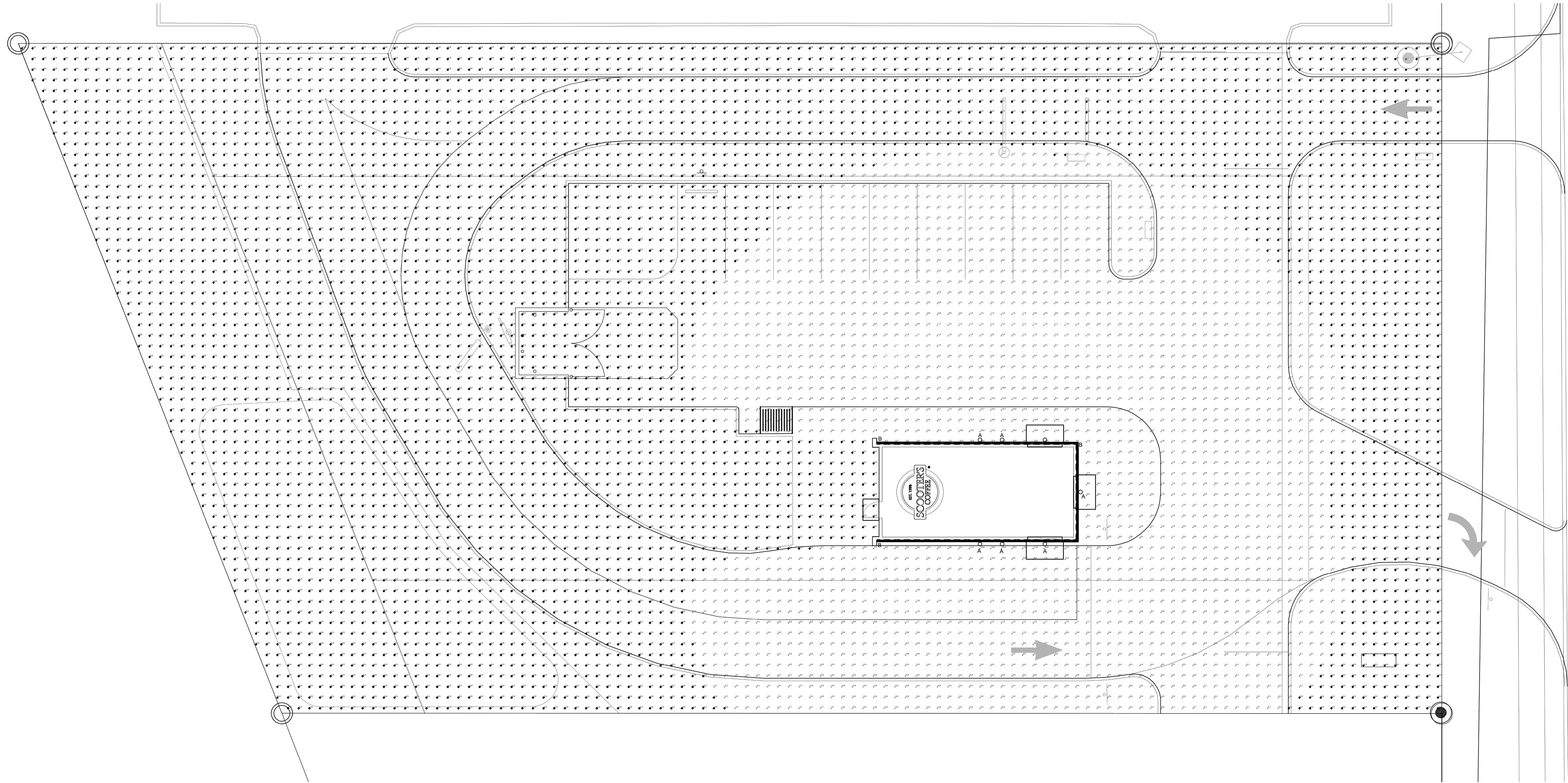
Know what's below.
Call before you dig.

1 TYPICAL LANDSCAPE SPECIFICATIONS

Plotted By: Alexander, Jamal Sheet Set: SCOOTER'S ROLESVILLE Layout: L2.1 LANDSCAPE NOTES October 31, 2023 04:23:21pm K:\RAL_LDEV\016485000-Scooters Rolesville\Planning\016-CAD Files\Plan Sheets\L2.1 LANDSCAPE DETAILS.dwg
 This document, together with the concepts and designs presented herein, is intended only for the specific purpose and client for which it was prepared. Reuse of and improper reliance on this document without written authorization and adaptation by Kimley-Horn and Associates, Inc. shall be without liability to Kimley-Horn and Associates, Inc.

Symbol	Label	Image	QTY	Manufacturer	Catalog	Description	Number Lamps	Lamp Output	LLF	Input Power	Polar Plot
	A		7	RAB LIGHTING INC.	SLIM12/D10		1	2006	0.8	15	
	B		130		NF/SP-PROW-120-24V-3000K		1	180	0.8	2.89861	

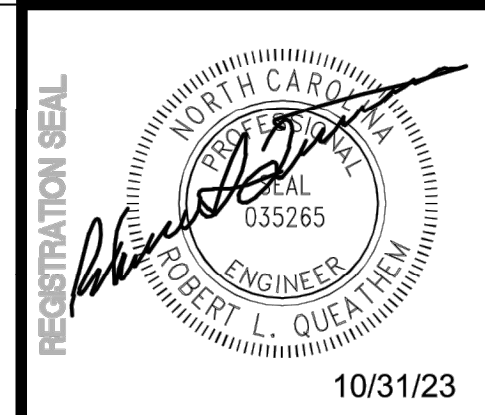
Statistics						
Description	Symbol	Avg	Max	Min	Max/Min	Avg/Min
Scoter Property	+	0.4 fc	17.7 fc	0.0 fc	N/A	N/A



1 EXTERIOR SITE PHOTOMETRIC PLAN
SCALE: 1" = 10'-0"



U.S. HWY 401 100' PUBLIC RAW



ROBERT L. QUEATHEM
ENGINEER
1950 CRAIG ROAD, SUITE 300
PH. (314) 415-2400 FAX (314) 415-2300
ST. LOUIS, MO 63146
www.arvcv.com



REV	DATE	DESCRIPTION	BY

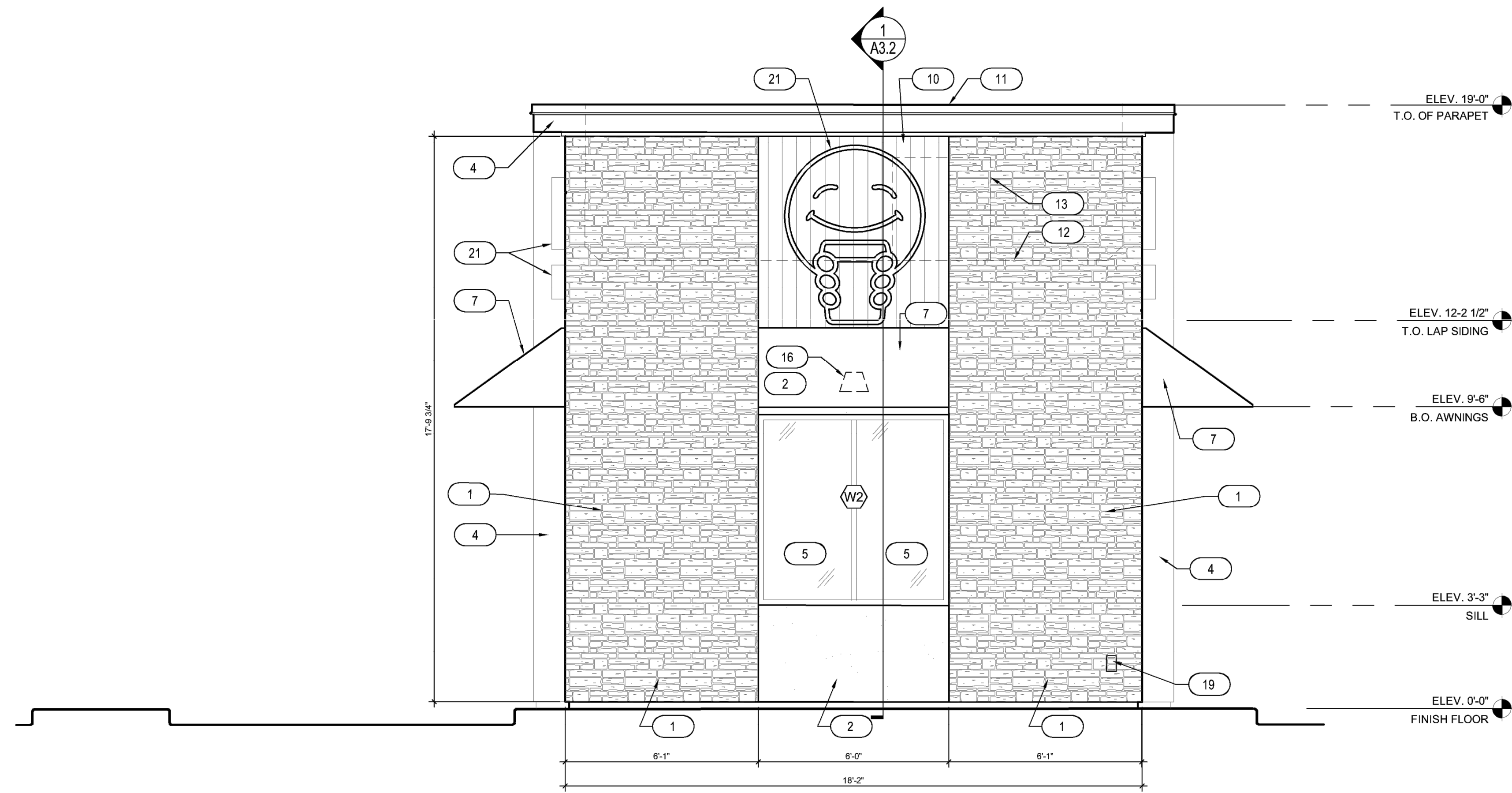
TITLE:
EXTERIOR SITE PHOTOMETRIC PLAN

PROJECT ADDRESS:
306 S. MAIN ST.
ROLESVILLE, NC 27571
FRANCHISEE & STORE NUMBER:
SCOOTER'S COFFEE #562
P&S JAVA ENTERPRISES, INC.

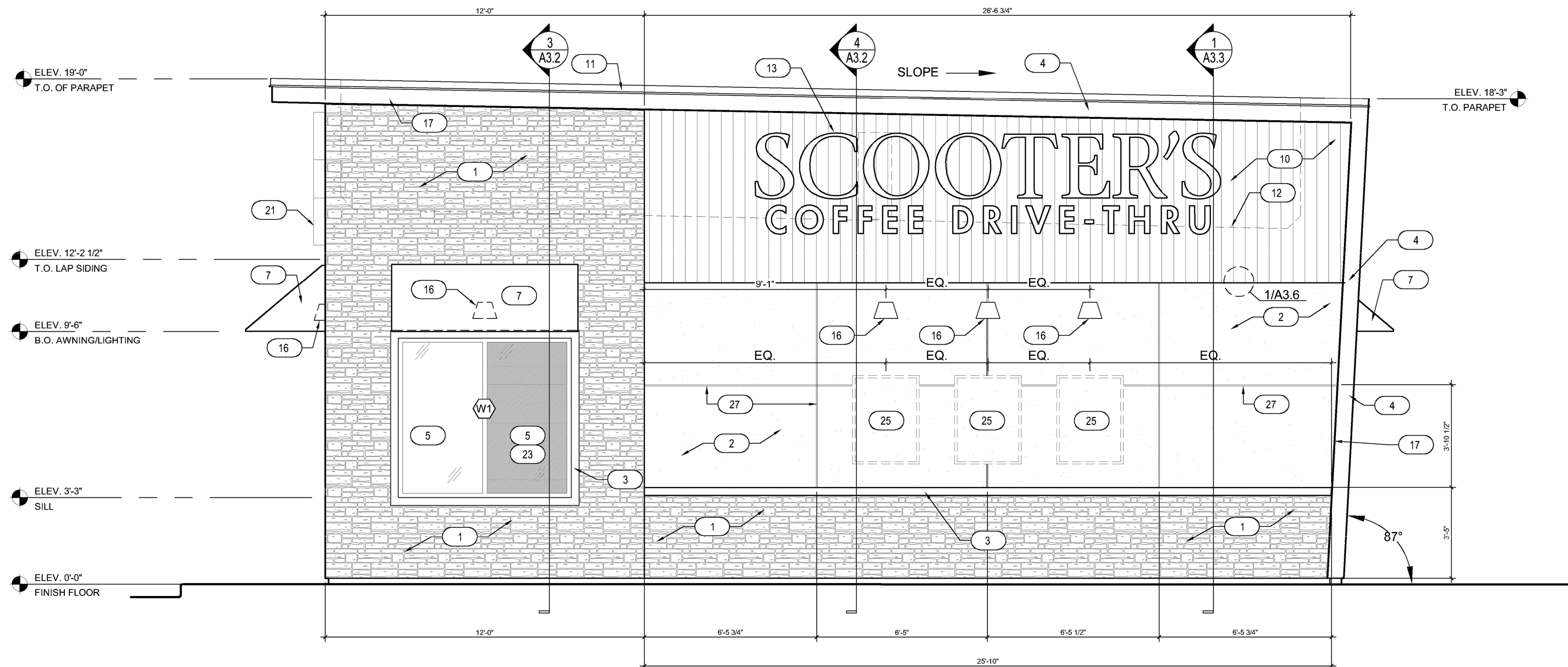
KIOSK PROTOTYPE:
4.1 PROTOTYPE
MAY 2022
ISSUE DATE:
08/14/2023
PROJECT NO.
230522
DRAWN BY:
JDK
CHECKED BY:
SAH

SHEET NO.

E3.1



1 FRONT EXTERIOR ELEVATION
SCALE: 3/8" = 1'-0"



2 SIDE EXTERIOR ELEVATION
SCALE: 3/8" = 1'-0"

KEYNOTES

1. CARBON LEDGE STONE BY REALSTONE SYSTEMS
2. STUCCO - COLOR: SHERWIN WILLIAMS SW1015 SKYLINE STEEL
3. 3 1/2" TRIM - COLOR: SHERWIN WILLIAMS SW2848 ROYCROFT PEWTER
4. METAL FASCIA - DARK BRONZE
5. INSULATED DARK BRONZE ALUMINUM WINDOWS WITH DUAL PANE TEMPERED GLASS
6. QUICKSERVE 48X48 WINDOW - COLOR: DARK BRONZE
7. AWNING BY OTHERS - COLOR: RED
8. INSULATED HOLLOW METAL DOOR & FRAME; PAINT SHERWIN WILLIAMS SW6992
9. WIDE ANGLE PEEP HOLE, BY DOOR MANUFACTURER
10. FIBERON COMPOSITE CLADDING
11. PARAPET CAP FLASHING - DARK BRONZE
12. LINE OF ROOF BEYOND
13. AIR CONDENSER, SEE MECHANICAL DRAWINGS
14. ROOF SCUPPER AND DOWNSPOUT, SEE DETAIL 8/A6.3
15. MAILBOX BY GC BLACK
16. WALL MOUNTED LIGHT FIXTURE, SEE ELECTRICAL DRAWINGS
17. LED LIGHT BAND, SEE ELECTRICAL DRAWINGS
18. SES PANEL, SEE ELECTRICAL DRAWINGS
19. ELECTRICAL OUTLETS, SEE ELECTRICAL DRAWINGS
20. HOSE BIBB, SEE PLUMBING DRAWINGS
21. PROPOSED SIGNAGE BY OTHERS, UNDER SEPARATE PERMIT
22. CONNECT DOWNSPOUTS TO UNDERGROUND PIPING, REF. CIVIL.
23. SPANDREL GLASS
24. NEW SECURITY CAMERA
25. CUSTOMER PROVIDED SIGN PANELS. PANELS TO BE MOUNTED TO FASCIA BY GC (WHEN PROVIDED) IN CUSTOMER SPECIFIED LOCATION USING PROPER HARDWARE AND FASTENERS (NON-CORROSIVE)
26. STUCCO - COLOR: SHERWIN WILLIAMS SW6993 INKWELL EGGSHELL FINISH
27. STUCCO REVEAL



FREDERICK J. GOGLIA
ARCHITECT, NCARB, RDI
1950 CRAIG ROAD, SUITE 300
PH. (314) 415-2400 FAX (314) 415-2300
ST. LOUIS, MO 63146
www.arvcv.com



REV	DATE	DESCRIPTION

TITLE:
EXTERIOR ELEVATIONS

PROJECT ADDRESS:
306 S. MAIN ST.
ROLESVILLE, NC 27571
FRANCHISEE & STORE NUMBER:
SCOOTER'S COFFEE #562
P&S JAVA ENTERPRISES, INC.

KIOSK PROTOTYPE:
4.1 PROTOTYPE
MAY 2022
ISSUE DATE:
08/14/2023
PROJECT NO.
230522
DRAWN BY:
NES
CHECKED BY:
SW

SHEET NO.
A2.1

