



McADAMS

The John R. McAdams Company, Inc.
2905 Meridian Parkway
Durham, NC 27713

phone 919.361.5000
fax 919.361.2269
license number: C-0293

www.mcadamsco.com

CLIENT

NAME: TOWN OF ROLESVILLE
ADDRESS: 502 SOUTHTOWN CIRCLE
ADDRESS: ROLESVILLE NC 27571
PHONE: 919.554.6582

FRAZIER FARM PARK
CONSTRUCTION DRAWINGS
PHASE 1A
11624 LOUISBURG ROAD
ROLESVILLE, NORTH CAROLINA



REVISIONS

NO. DATE

PLAN INFORMATION

PROJECT NO. 202011039
FILENAME 2020110039-PH1-EC1
CHECKED BY EMD
DRAWN BY SME
SCALE 1"=100'
DATE 10.02.2023

SHEET

OVERALL EROSION CONTROL PLAN-STAGE I

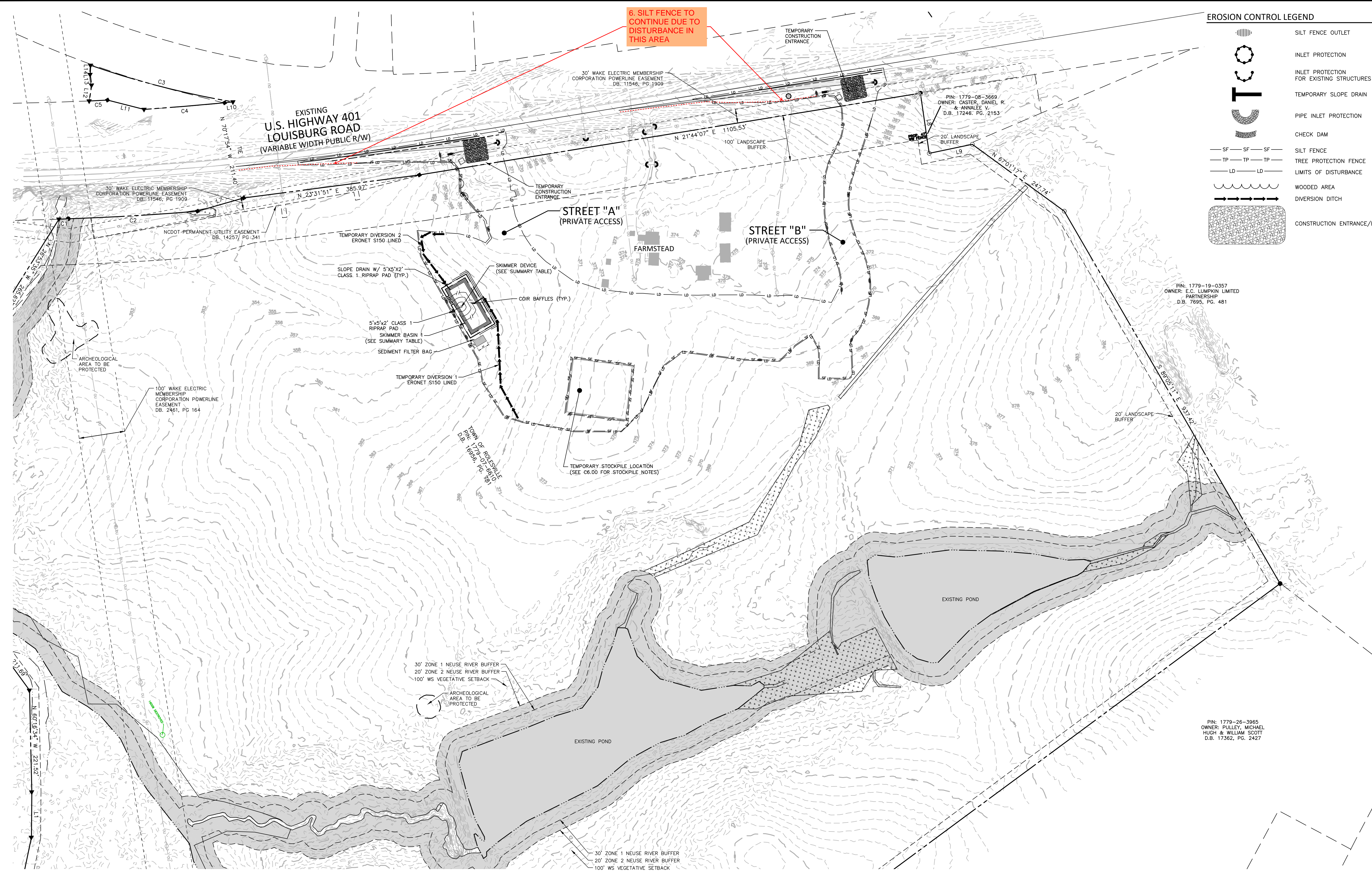
C6.01

CID-23-5

EROSION CONTROL LEGEND

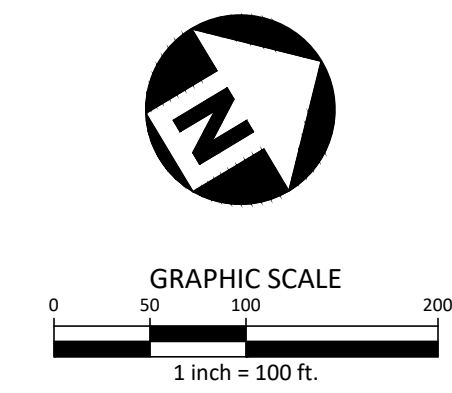
- SILT FENCE OUTLET
- INLET PROTECTION FOR EXISTING STRUCTURES
- TEMPORARY SLOPE DRAIN
- PIPE INLET PROTECTION
- CHECK DAM
- SILT FENCE
- TREE PROTECTION FENCE
- LIMITS OF DISTURBANCE
- WOODED AREA
- DIVERSION DITCH
- CONSTRUCTION ENTRANCE/EXIT

6. SILT FENCE TO CONTINUE DUE TO DISTURBANCE IN THIS AREA



SEDIMENT BASIN SUMMARY TABLE				
ID	BOTTOM LENGTH X WIDTH	SPILLWAY LENGTH	SKIMMER AND ORIFICE SIZE	SIDESLOPES
SB-1	100' X 37'	15'	2" SKIMMER W/ 1.4" ORIFICE	2:1

ALL CONSTRUCTION SHALL BE IN ACCORDANCE WITH THE CURRENT TOWN OF ROLESVILLE ENGINEERING DESIGN AND CONSTRUCTION STANDARDS



PRELIMINARY DRAWING - NOT RELEASED FOR CONSTRUCTION

M:\Projects\WOL\2020110039 Frazier Farm Park\04-Production\Engineering\Phase1A\CID\2020110039-PH1-EC1.dwg, 10/27/2023 6:05:12 PM, Eric Dowdell



McADAMS

The John R. McAdams Company, Inc.
2905 Meridian Parkway
Durham, NC 27713

phone 919. 361. 5000
fax 919. 361. 2269
license number: C-0293

www.mcadamsco.com

CLIENT

NAME: TOWN OF ROLESVILLE
ADDRESS: 502 SOUTHTOWN CIRCLE
ADDRESS: ROLESVILLE NC 27571
PHONE: 919.554.6582

FRAZIER FARM PARK
CONSTRUCTION DRAWINGS
PHASE 1A
11624 LOUISBURG ROAD
ROLESVILLE, NORTH CAROLINA



REVISIONS

NO. DATE

PLAN INFORMATION

PROJECT NO. 202011039
FILENAME 2020110039-PH1-RW1
CHECKED BY EMD
DRAWN BY SME
SCALE 1"=40'
DATE 10.02.2023

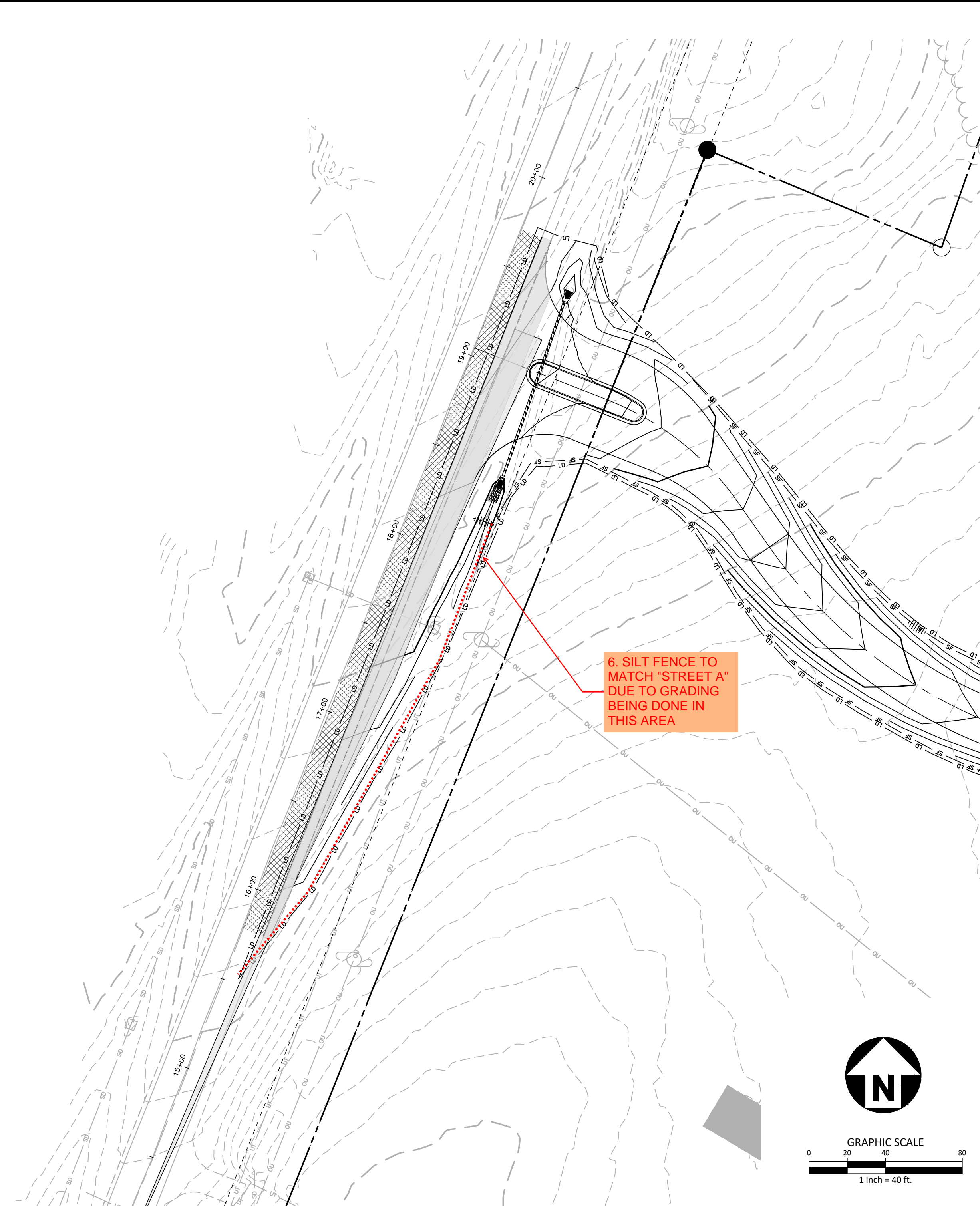
SHEET

**LOUISBURG RD
WIDENING PLAN**

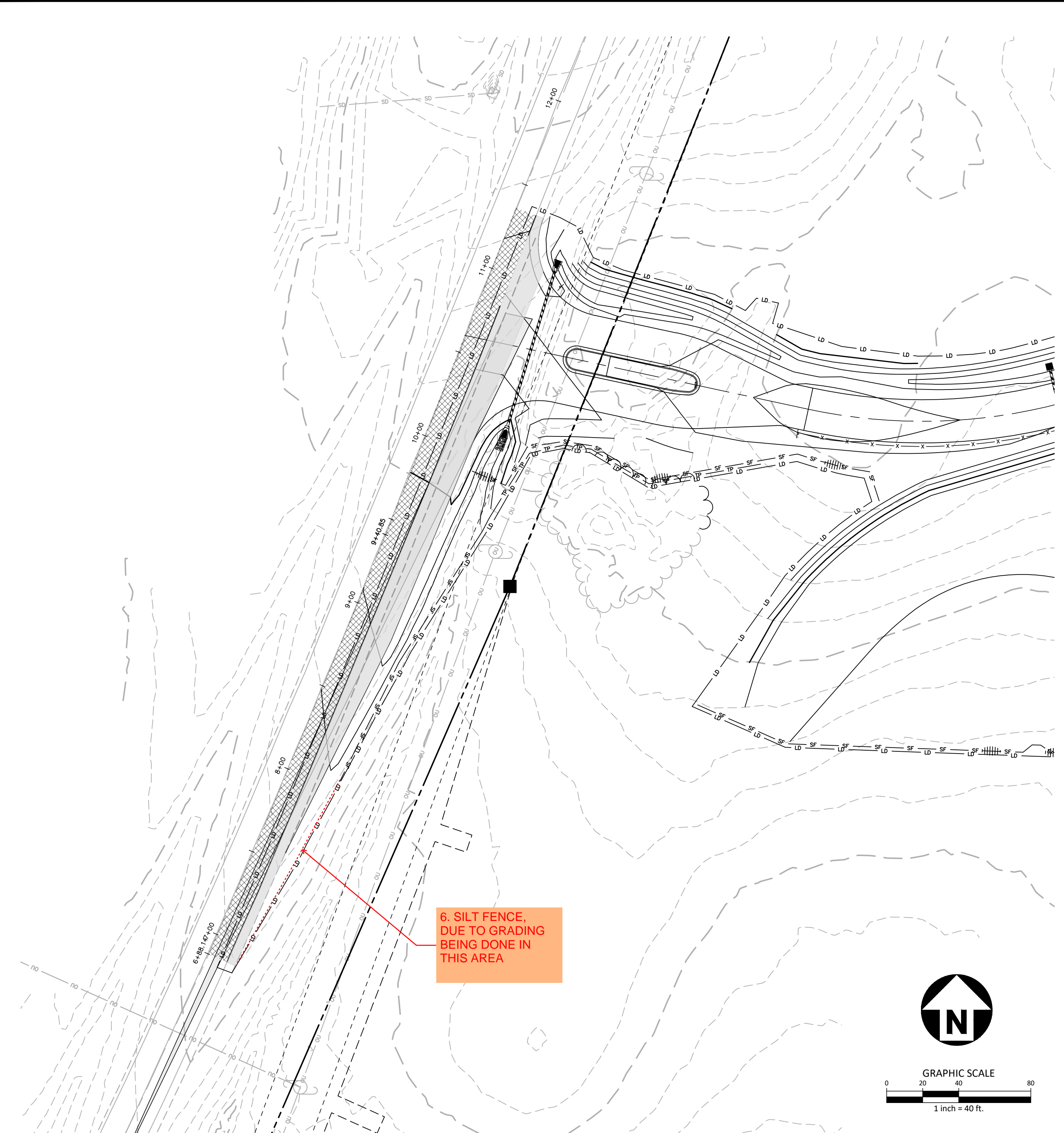
C7.00

CID-23-5

PRELIMINARY DRAWING - NOT RELEASED FOR CONSTRUCTION



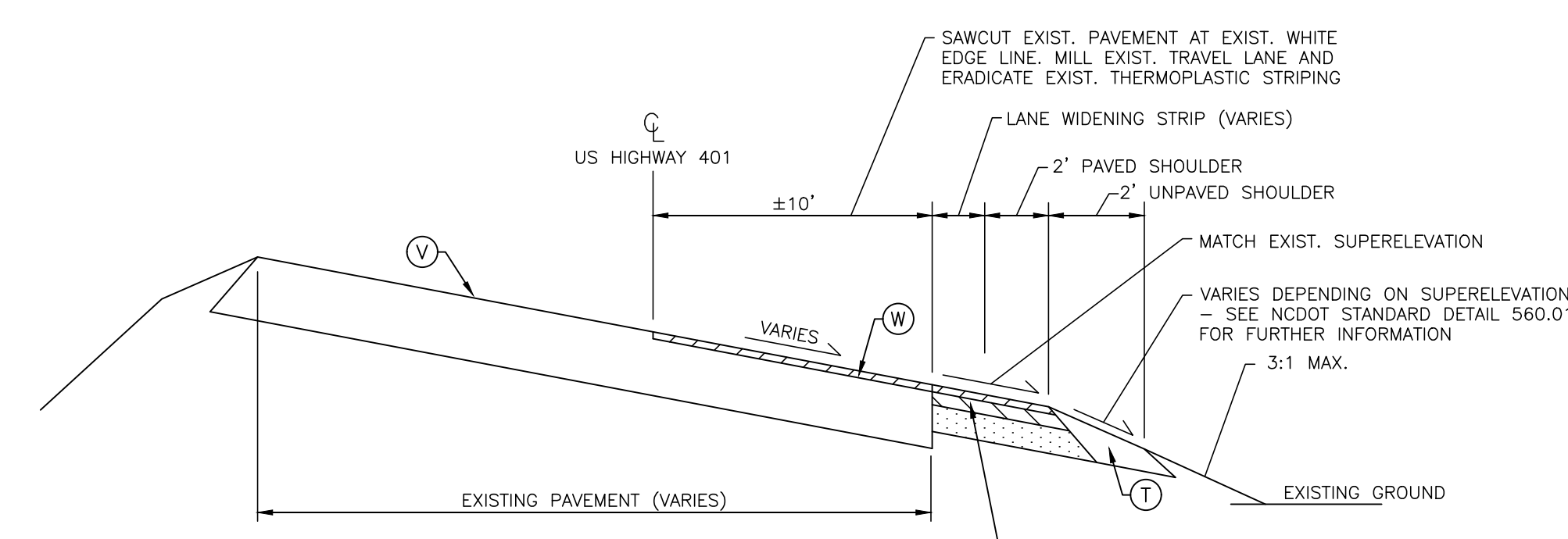
6. SILT FENCE TO MATCH "STREET A" DUE TO GRADING BEING DONE IN THIS AREA



6. SILT FENCE, DUE TO GRADING BEING DONE IN THIS AREA

PARK ENTRANCE "A"

PARK ENTRANCE "B"



**TYPICAL SECTION NO. 1
US HIGHWAY 401 / LOUISBURG RD
STA. 6+88 TO 11+36
STA. 15+78 TO 19+71**

- Ⓢ SEE SHEET C8.00 FOR PAVEMENT SECTION
- Ⓣ COMPACTED EARTH
- Ⓦ WEDGING/OVERLAY (MIN. 1 1/2" S9.5C)
- Ⓥ EXISTING ROADWAY - SUPERELEVATION GRADE AND DIRECTION VARY

PAVEMENT MARKING LEGEND

LANE LINES/MARKINGS	ARROWS/CHARACTERS
T1 16" WHITE LINE, RAILROAD CROSSBAR	UA LEFT TURN ARROW
T2 24" WHITE STOPBAR	UB RIGHT TURN ARROW
T3 24" WHITE CROSSWALK LINE (HIGH VISIBILITY)	UC STRAIGHT ARROW
T4 4" WHITE RUMBLE STRIP	UD COMBINATION STRAIGHT/LEFT TURN ARROW
T5 4" YELLOW RUMBLE STRIP	UE COMBINATION STRAIGHT/RIGHT TURN ARROW
T6 6" WHITE EDGE LINE	UF COMBINATION LEFT/RIGHT ARROW
T7 6" YELLOW EDGE LINE	UG COMBINATION LEFT/STRAIGHT/RIGHT ARROW
T8 4" WHITE MINISKIP (2' - 6' SP.)	UH HANDICAP PARKING
T9 4" YELLOW MINISKIP (2' - 6' SP.)	UI ALPHANUMERIC CHARACTER
T10 12" WHITE MINISKIP (3' - 3' SP.) (ROUNDBOUTS ONLY)	UJ BICYCLE STRAIGHT ARROW
T11 6" WHITE MINISKIP (2' - 6' SP.)	UL BICYCLE CHARACTER
T12 6" YELLOW MINISKIP (2' - 6' SP.)	UM 12" YIELD LINE TRIANGLE
T13 8" WHITE MINISKIP (3' - 9' SP.)	UN 24" YIELD LINE TRIANGLE
T14 12" WHITE MINISKIP (3' - 9' SP.)	UO BICYCLE LEFT ARROW
T15 6" YELLOW SINGLE CENTER	UQ MERGE ARROW
T16 6" YELLOW DOUBLE CENTER	UR RAMP ARROW SYMBOL
T17 8" WHITE MINISKIP (3' - 3' SP.) (ROUNDBOUTS ONLY)	US SHARROW
TA 4" WHITE EDGE LINE	UT BICYCLE LOOP DETECTOR
TB 4" YELLOW EDGE LINE	UU U-TURN ARROW
TC 4" WHITE SKIP (10' - 30' SP.)	UV FISH-HOOK STRAIGHT ARROW
TD 4" WHITE MINISKIP (3' - 9' SP.)	UW FISH-HOOK STRAIGHT/LEFT ARROW
TE 4" WHITE SOLID LANE LINE	UX FISH-HOOK STRAIGHT/RIGHT ARROW
TF 4" YELLOW SKIP (10' - 30' SP.)	UY FISH-HOOK LEFT/RIGHT ARROW
TH 4" YELLOW SINGLE CENTER	UZ FISH-HOOK LEFT/STRAIGHT/RIGHT ARROW
TI 4" YELLOW DOUBLE CENTER	VA FISH-HOOK W/CIRCLE STRAIGHT ARROW
TJ 6" WHITE SKIP (10' - 30' SP.)	WB FISH-HOOK W/CIRCLE STRAIGHT/LEFT ARROW
TK 6" WHITE MINISKIP (3' - 9' SP.)	WC FISH-HOOK W/CIRCLE LEFT/STRAIGHT/RIGHT ARROW
TL 6" WHITE SOLID LANE LINE	
TM 6" YELLOW SKIP (10' - 30' SP.)	
TN 8" WHITE GORELINE	
TO 8" WHITE DIAGONAL	
TP 8" YELLOW DIAGONAL	
TQ 8" WHITE CROSSWALK LINE	
TR 8" WHITE SOLID LANE LINE	
TS 12" WHITE GORELINE	
TT 12" WHITE SOLID LANE LINE	
TU 12" WHITE DIAGONAL (45MPH OR GREATER)	
TV 12" YELLOW DIAGONAL (45MPH OR GREATER)	

ROAD WIDENING LEGEND	
	NEW FULL DEPTH PAVEMENT
	MILLING LIMITS

NOTE:
ALL PAVEMENT MARKINGS SHALL BE THERMOPLASTIC AND ARE TO BE PLACED PER NCDOT STANDARDS (REFERENCE NCDOT DETAILS (1205.01-1205.12)

M:\Projects\WOL\2020110039 Frazier Farm PH1A\04-Production\Engineering\Phase1A_CD\2020110039-PH1-RW1.dwg, 10/27/2023 6:05:48 PM, Eric Donnell