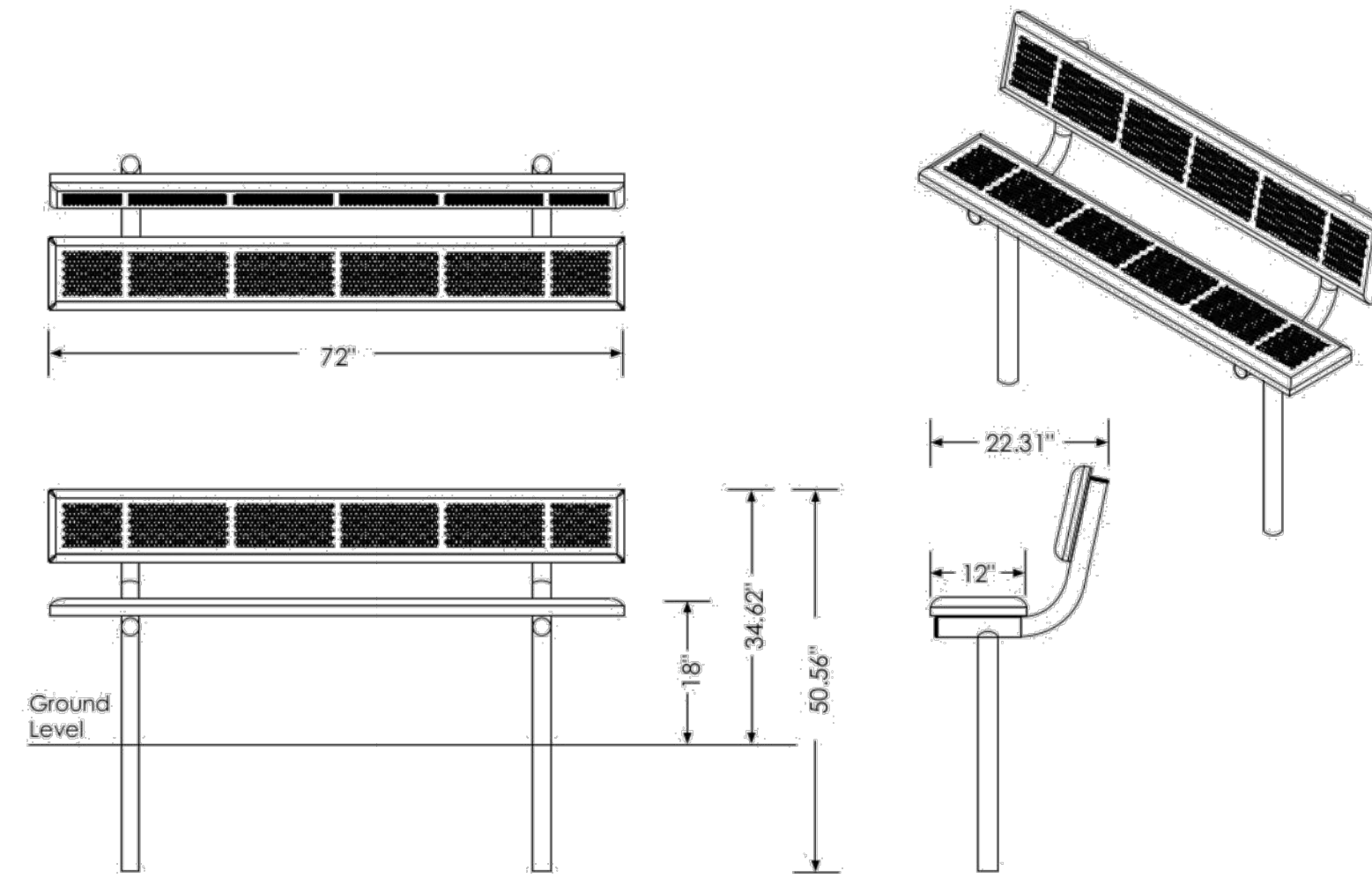
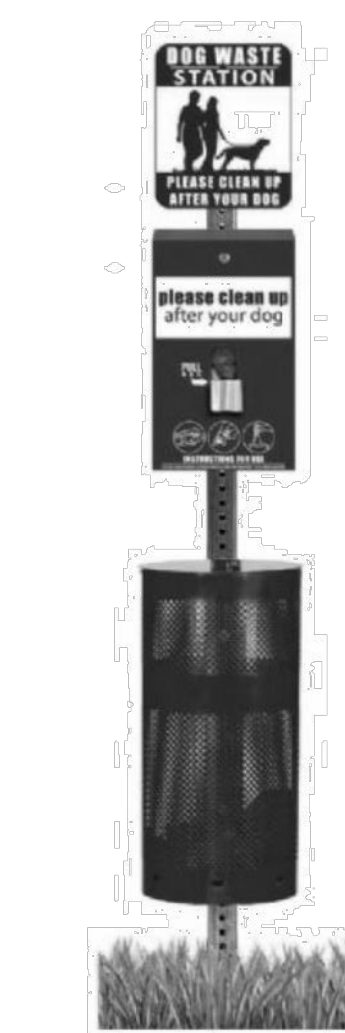




PLAYGROUND EQUIPMENT



BENCH



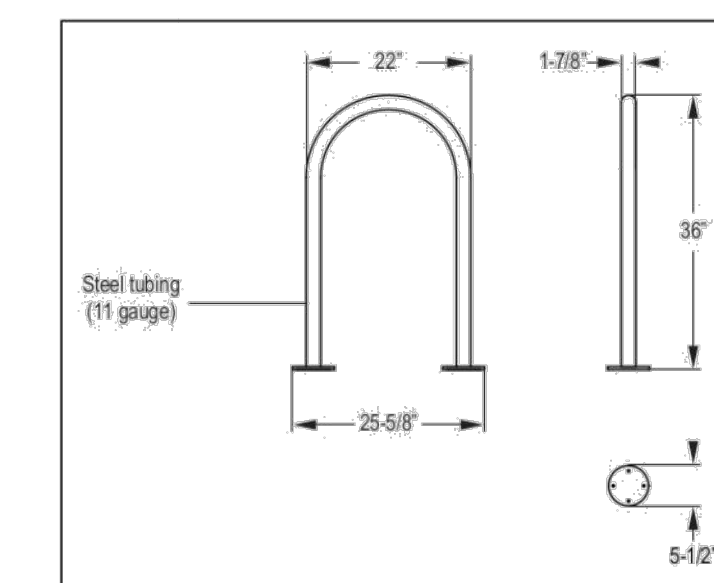
DOG WASTE STATION



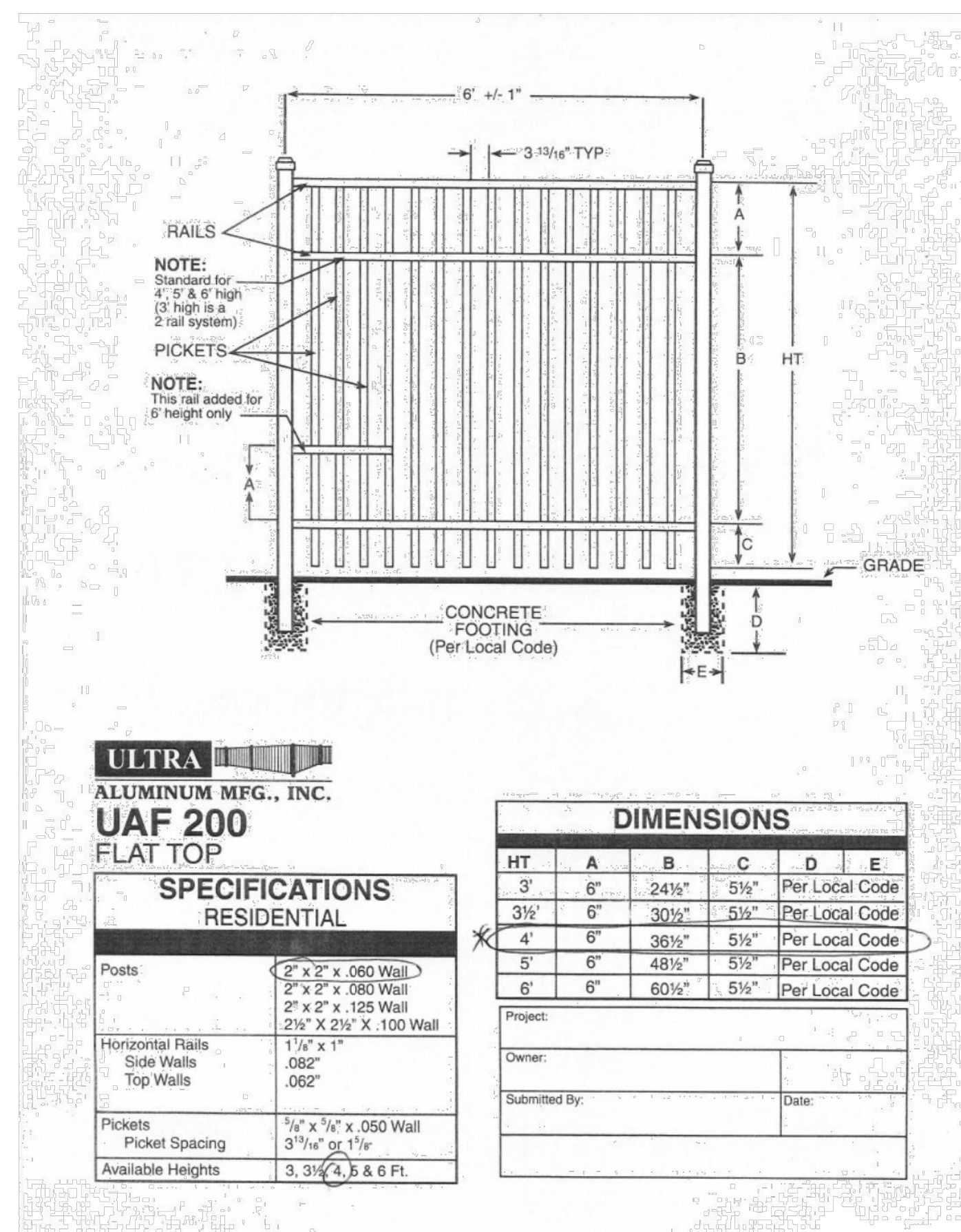
TRASH CAN



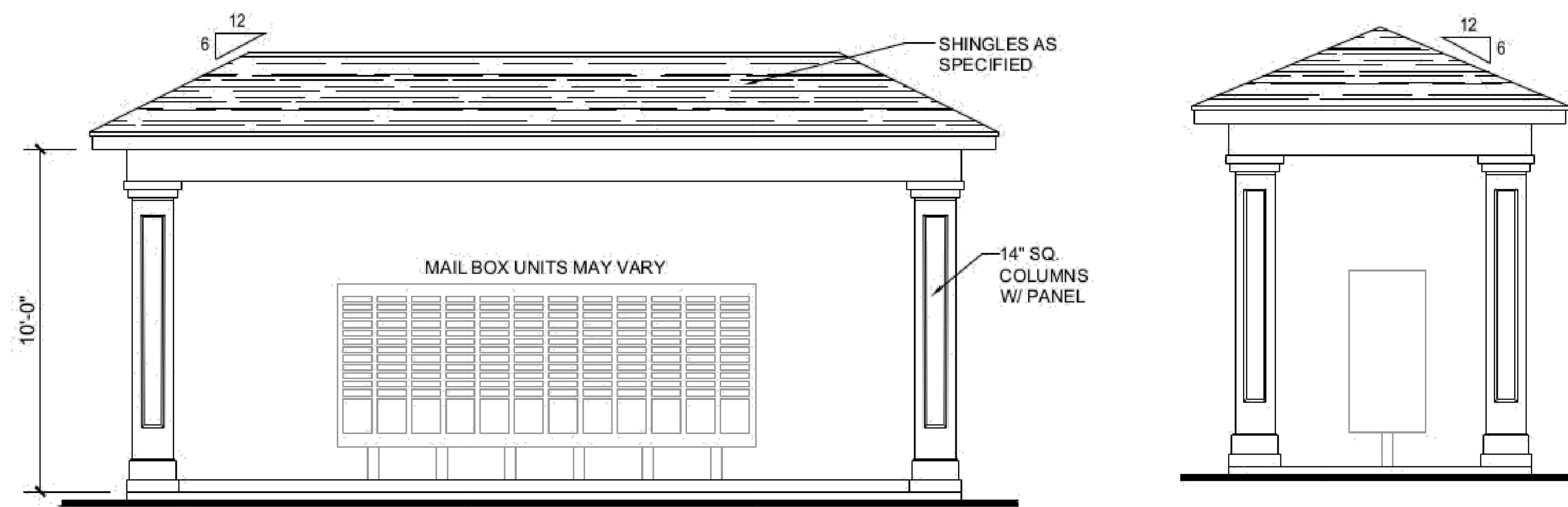
PICNIC TABLE



BICYCLE PARKING

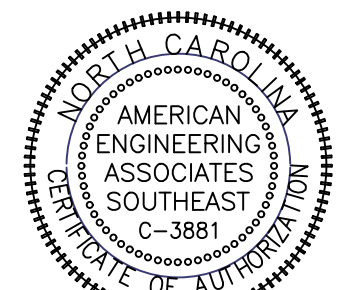


SITE FENCE



MAIL KIOSK

DETAILS SHOWN ARE REPRESENTATIVE OF ANTICIPATED AMENITY FEATURES. EXACT MODELS MAY VARY.



PRELIMINARY



FOR INFORMATION ONLY

NO.	DATE	REVISION

STIPULATION FOR REUSE  
THIS DRAWING WAS PREPARED FOR USE ON THE SPECIFIC SITE, NAMED HEREON, CONTEMPORANEOUSLY WITH ITS ISSUE DATE AS LISTED, HEREON, AND IT IS NOT SUITABLE FOR USE ON A DIFFERENT PROJECT SITE OR AT A LATER TIME. USE OF THIS DRAWING FOR REFERENCE OR EXAMPLE ON ANOTHER PROJECT REQUIRES THE SERVICES OF PROPERLY LICENSED ARCHITECTS AND ENGINEERS. REPRODUCTION OF THIS DRAWING FOR REUSE ON ANOTHER PROJECT IS NOT AUTHORIZED AND MAY BE CONTRARY TO THE LAW.

**KALAS FALLS**  
**PHASE 1**  
1832 ROLESVILLE ROAD  
WAKE COUNTY, NC

JOB NUMBER:  
CHECKED BY:  
DRAWN BY:  
DATE:

SHEET TITLE:  
**KALAS FALLS**  
**RECREATIONAL**  
**DETAILS**

SHEET NO.:

